



US00D865893S

(12) **United States Design Patent**
Fallon

(10) **Patent No.:** **US D865,893 S**

(45) **Date of Patent:** **** Nov. 5, 2019**

(54) **DIVOT REPAIR TOOL**

(71) Applicant: **Sandgroup International Ltd.**, Hong Kong (HK)

(72) Inventor: **Conor Fallon**, County Kildare (IE)

(73) Assignee: **Sandgroup International Ltd.**, Causeway Bay (HK)

(**) Term: **15 Years**

(21) Appl. No.: **29/662,870**

(22) Filed: **Sep. 10, 2018**

(51) **LOC (12) Cl.** **21-02**

(52) **U.S. Cl.**
USPC **D21/793**

(58) **Field of Classification Search**
USPC D21/789, 793-794, 717-718
CPC . A63B 57/00; A63B 57/0037; A63B 57/0032;
A63B 57/50; A63B 57/12; A63B 57/16;
A63B 57/20; A63B 57/30; A63B 57/35
See application file for complete search history.

(56) **References Cited**

U.S. PATENT DOCUMENTS

D319,862 S * 9/1991 Lahger D21/794
D426,278 S * 6/2000 Parrella D21/794

D486,545 S * 2/2004 Hartzog D21/793
D513,632 S * 1/2006 Sokolowski D21/793
9,381,412 B2 * 7/2016 Fallon A63B 57/50
D822,780 S * 7/2018 Fallon D21/793
D828,886 S * 9/2018 Fallon D21/793
D832,960 S * 11/2018 Fallon D21/793
D832,961 S * 11/2018 Yevchak D21/793
D834,124 S * 11/2018 Zwart D21/793
2016/0121179 A1 * 5/2016 Fallon A63B 57/50
473/408

* cited by examiner

Primary Examiner — Mitchell I. Siegel

(74) *Attorney, Agent, or Firm* — Jason T. Daniel, Esq.;
Daniel Law Offices, P.A.

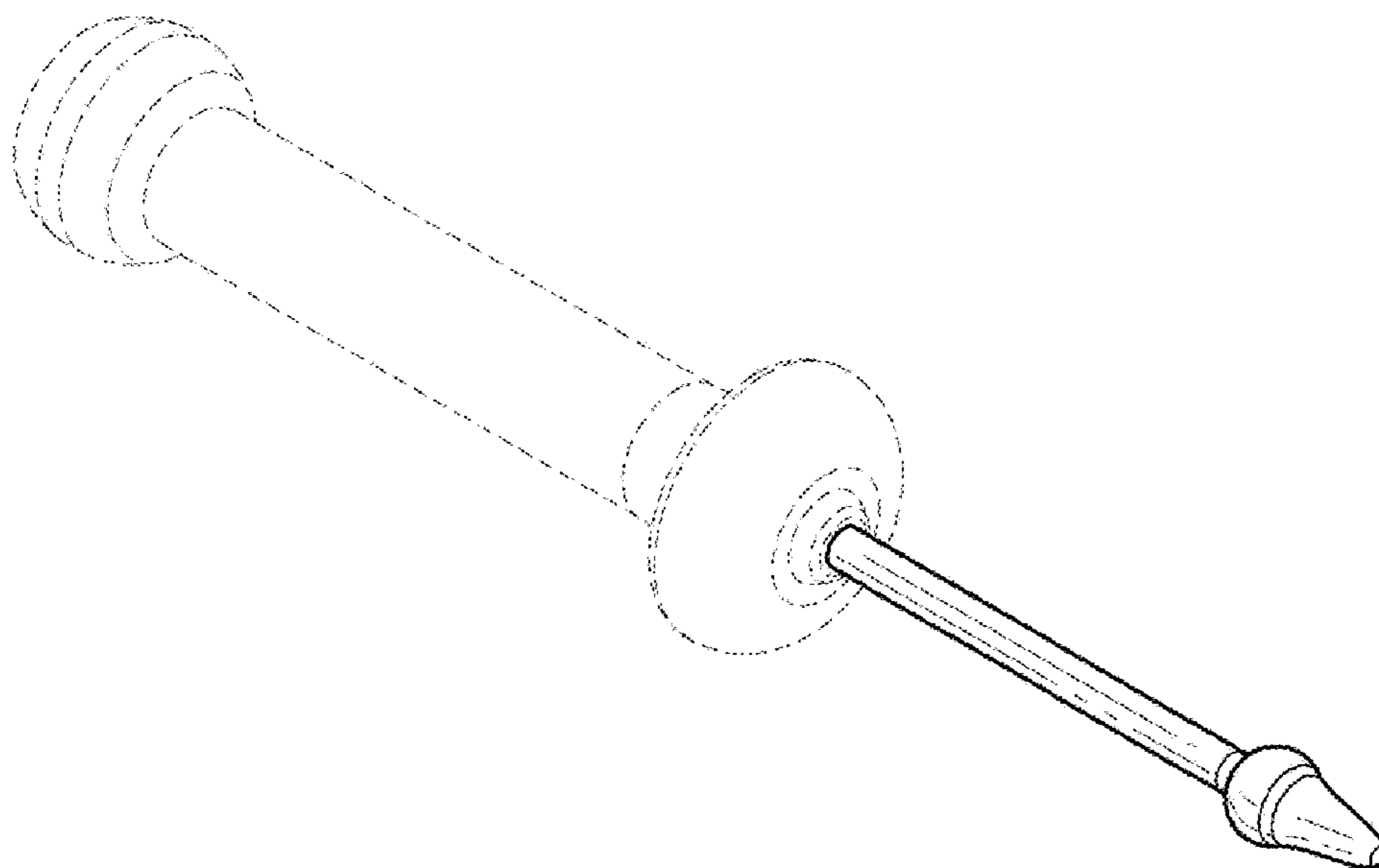
(57) **CLAIM**

The ornamental design for a divot repair tool, as shown and described.

DESCRIPTION

FIG. 1 is a front perspective view thereof,
FIG. 2 is a back perspective view thereof,
FIG. 3 is a side elevational view thereof; and,
FIG. 4 is a top side elevational view thereof.
The broken lines shown is included for the purpose of illustrating unclaimed subject matter and forms no part of the claimed design.

1 Claim, 2 Drawing Sheets



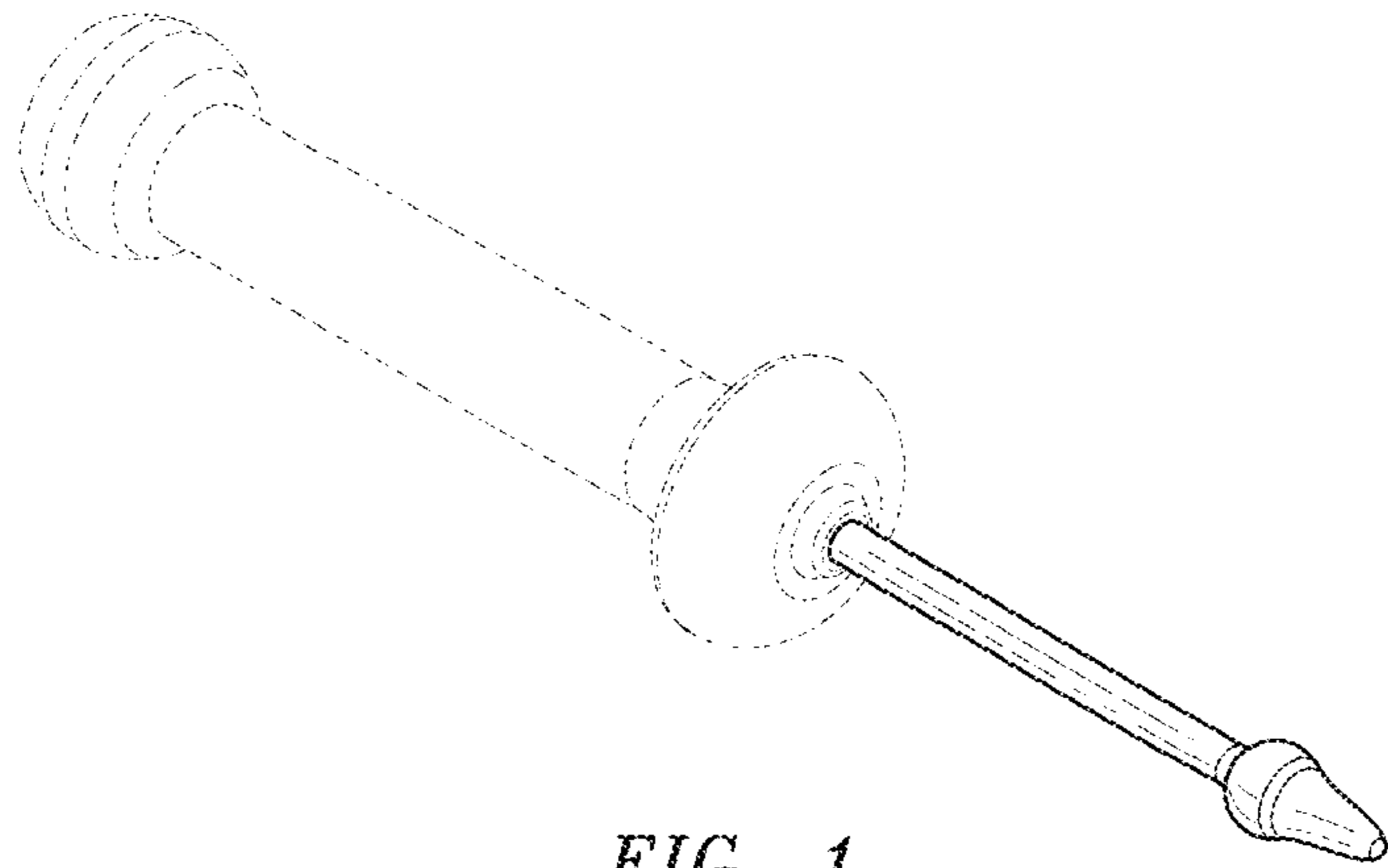


FIG. 1

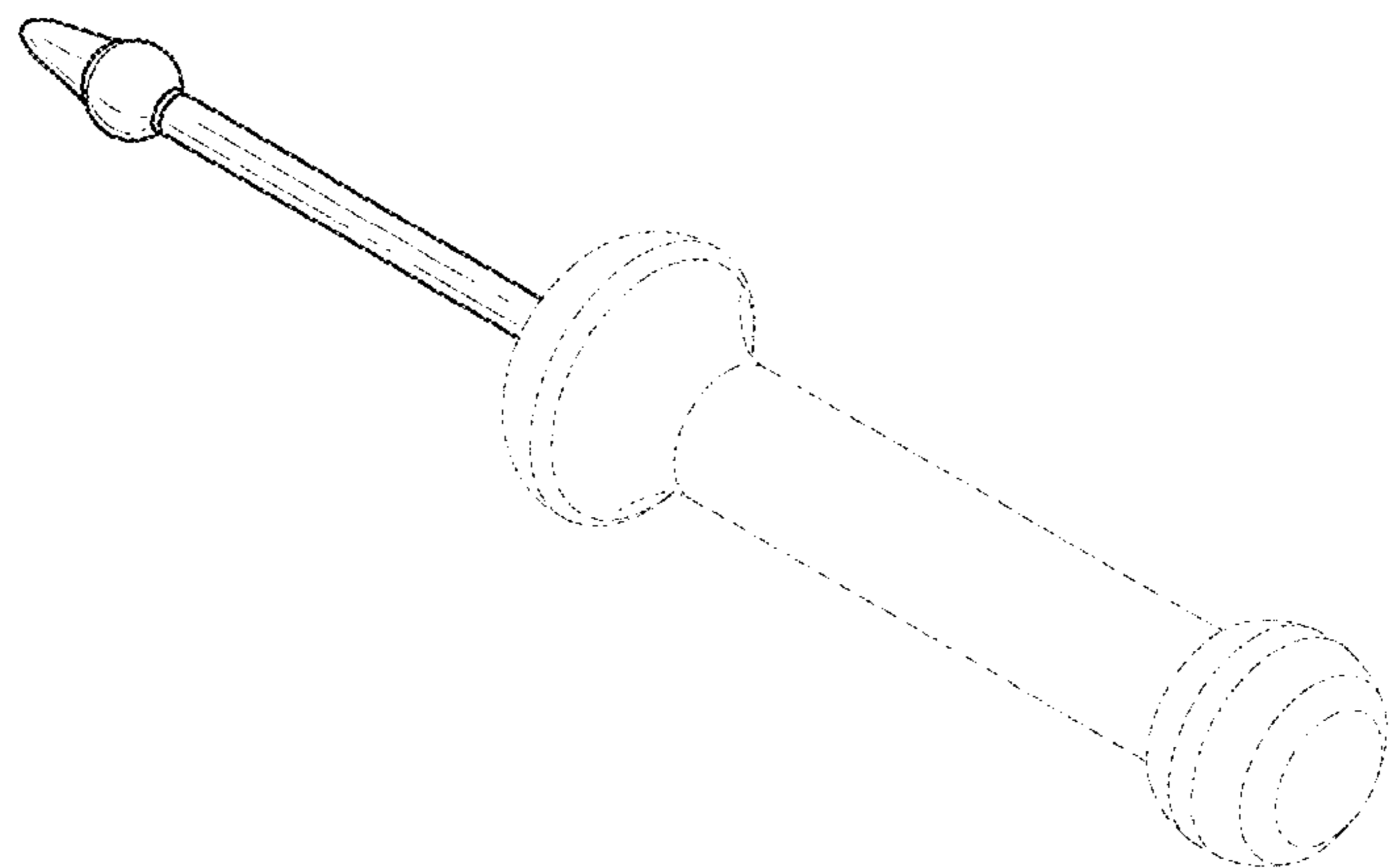


FIG. 2

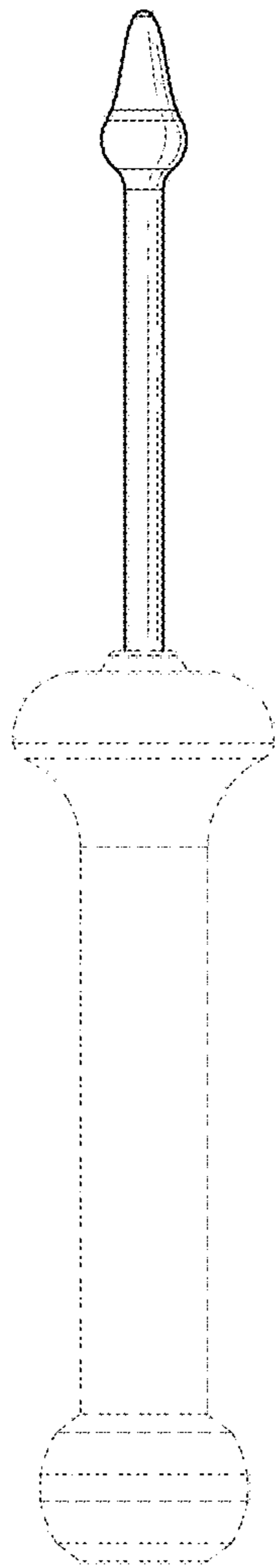


FIG. 3

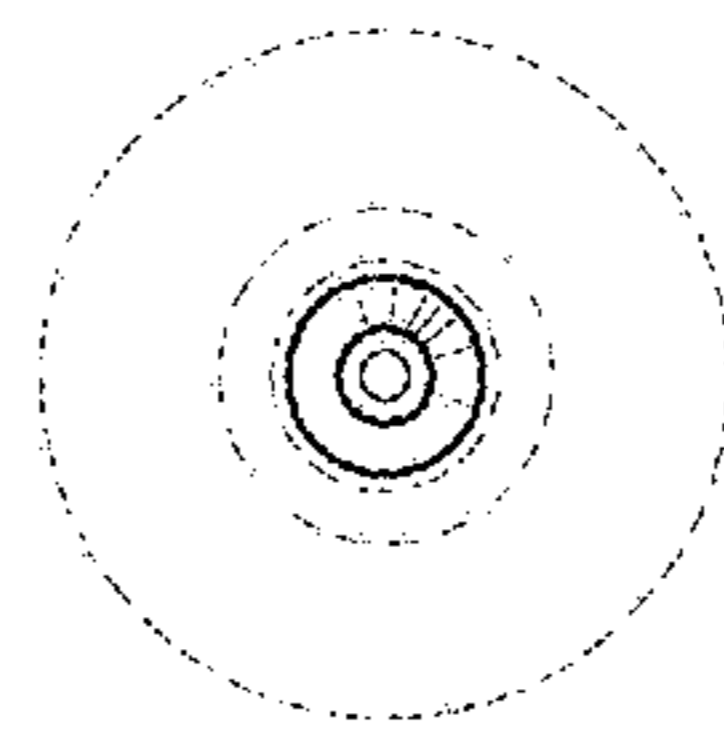


FIG. 4