



US00D865891S

(12) **United States Design Patent**  
**Liu et al.**

(10) **Patent No.:** **US D865,891 S**  
(45) **Date of Patent:** **\*\* Nov. 5, 2019**

- (54) **BALANCE ROLLER SKATE**
- (71) Applicant: **NINEBOT (BEIJING) TECH. CO., LTD**, Beijing (CN)
- (72) Inventors: **Lei Liu**, Beijing (CN); **Zhixing Li**, Beijing (CN)
- (73) Assignee: **NINEBOT (BEIJING) TECH. CO., LTD**, Beijing (CN)

D580,132 S *	11/2008	Lin	.....	D2/946
D769,997 S *	10/2016	Doerksen	.....	D21/765
D795,374 S *	8/2017	Bigler	.....	A63C 17/12
				D21/765
D797,875 S *	9/2017	Ma	.....	D21/760
D802,693 S *	11/2017	Lu	.....	D21/765
D815,228 S *	4/2018	Ma	.....	D21/765
D821,517 S *	6/2018	Doerksen	.....	D21/765
D843,532 S *	3/2019	Doerksen	.....	D21/765
D850,552 S *	6/2019	Doerksen	.....	D21/765

- (\*\*) Term: **15 Years**
- (21) Appl. No.: **35/505,772**
- (22) Filed: **Jul. 23, 2018**
- (80) **Hague Agreement Data**  
Int. Filing Date: **Jul. 23, 2018**  
Int. Reg. No.: **DM/102829**  
Int. Reg. Date: **Jul. 23, 2018**  
Int. Reg. Pub. Date: **Sep. 28, 2018**

**FOREIGN PATENT DOCUMENTS**

CN	301427201 S	12/2010
CN	301978115 S	7/2012
CN	302191428 S	11/2012
CN	303718373 S	6/2016
CN	303729895 S	6/2016
CN	303749261 S	7/2016
CN	303929748 S	11/2016
CN	304206540 S	7/2017
CN	304208918 S	7/2017
JP	D1468217	5/2013

\* cited by examiner

*Primary Examiner* — George D. Kirschbaum  
(74) *Attorney, Agent, or Firm* — Margaret Polson; Polson Intellectual Property Law, PC

- (30) **Foreign Application Priority Data**  
Feb. 7, 2018 (CN) ..... 2018 3 0057880
- (51) **LOC (12) Cl.** ..... **21-02**
- (52) **U.S. Cl.**  
USPC ..... **D21/764**
- (58) **Field of Classification Search**  
USPC ..... D21/423, 763–765  
CPC ..... A63C 17/12; A63C 17/06; A63C 17/04  
See application file for complete search history.

(57) **CLAIM**

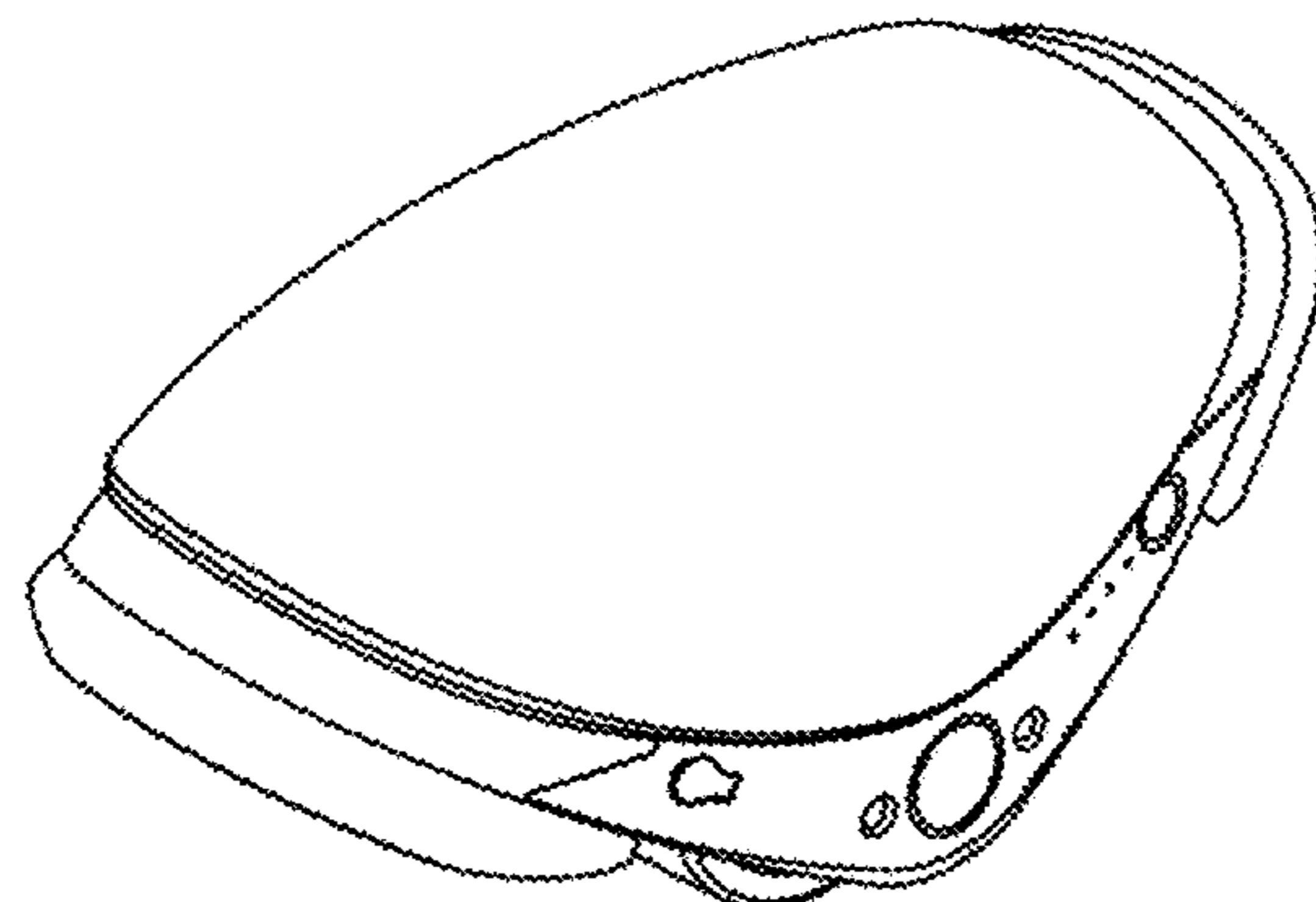
The ornamental design for a balance roller skate, as shown and described.

**DESCRIPTION**

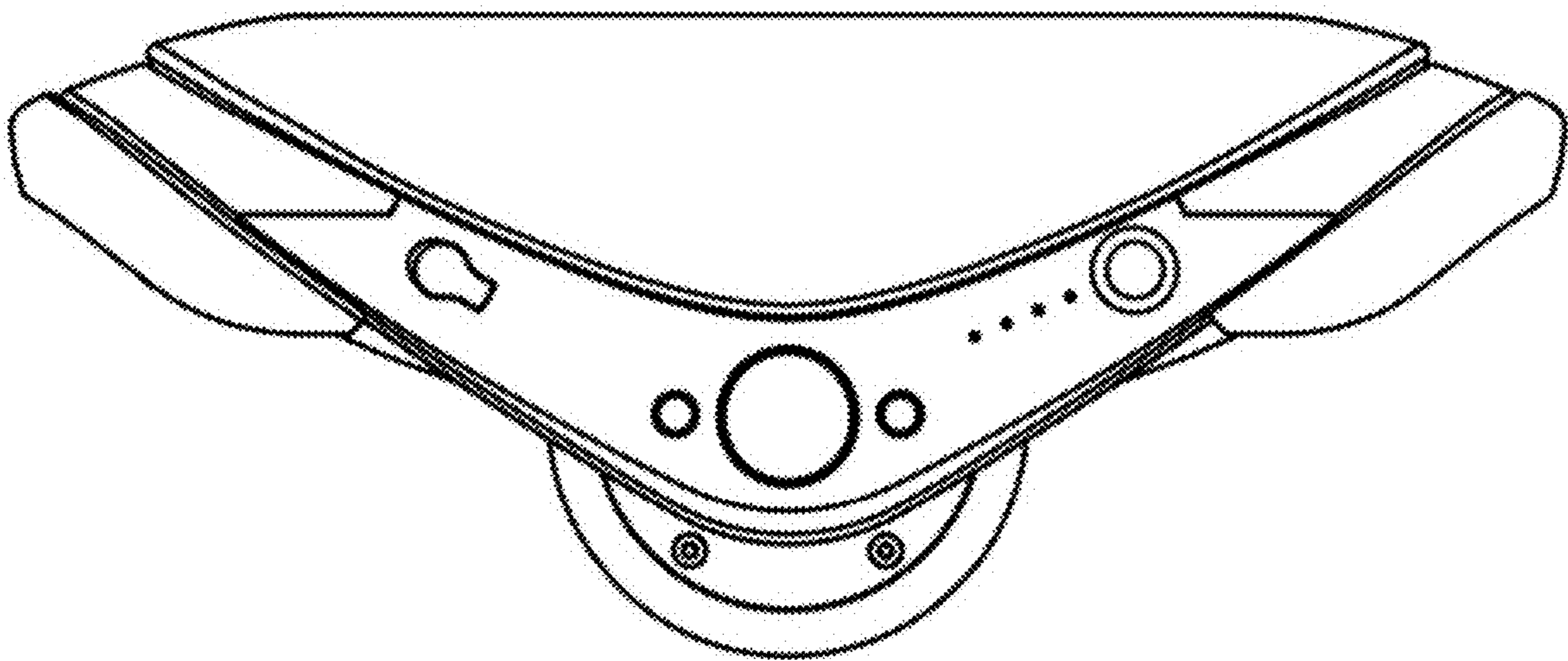
1. Balance roller skate  
Figure 1.1 is a front elevation view of our new design for a balance roller skate.  
Figure 1.2 is at back elevation view of Figure 1.1.  
Figure 1.3 is a left elevation view of Figure 1.1.  
Figure 1.4 is a right elevation view of Figure 1.1.  
Figure 1.5 is a top plan view of Figure 1.1  
Figure 1.6 is a bottom plan view of Figure 1.1  
Figure 1.7 is a perspective view of Figure 1.1.

**1 Claim, 7 Drawing Sheets**

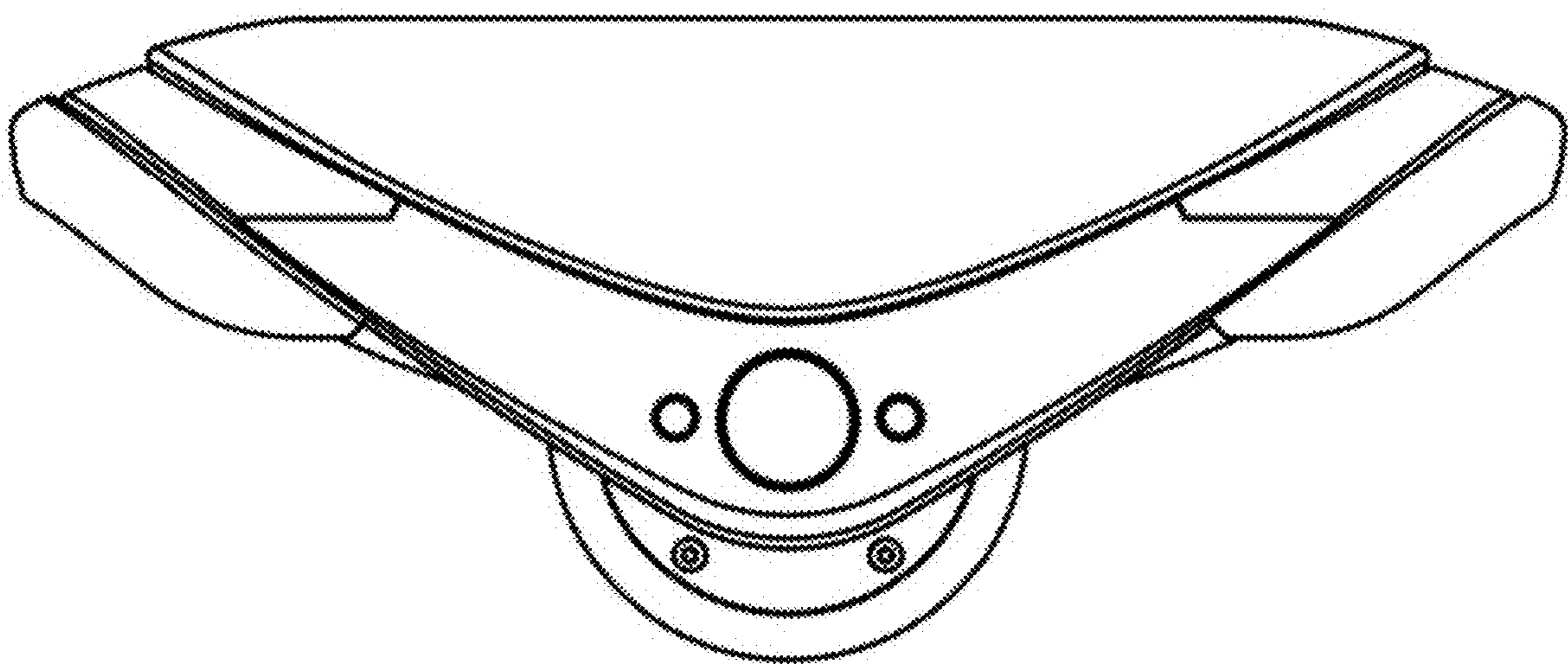
- (56) **References Cited**  
**U.S. PATENT DOCUMENTS**  
1,393,813 A \* 10/1921 Muck ..... A63C 17/04  
280/11.19  
D324,252 S \* 2/1992 Williamson ..... D21/763  
D567,318 S \* 4/2008 Farrelly ..... A63C 17/06  
D21/763



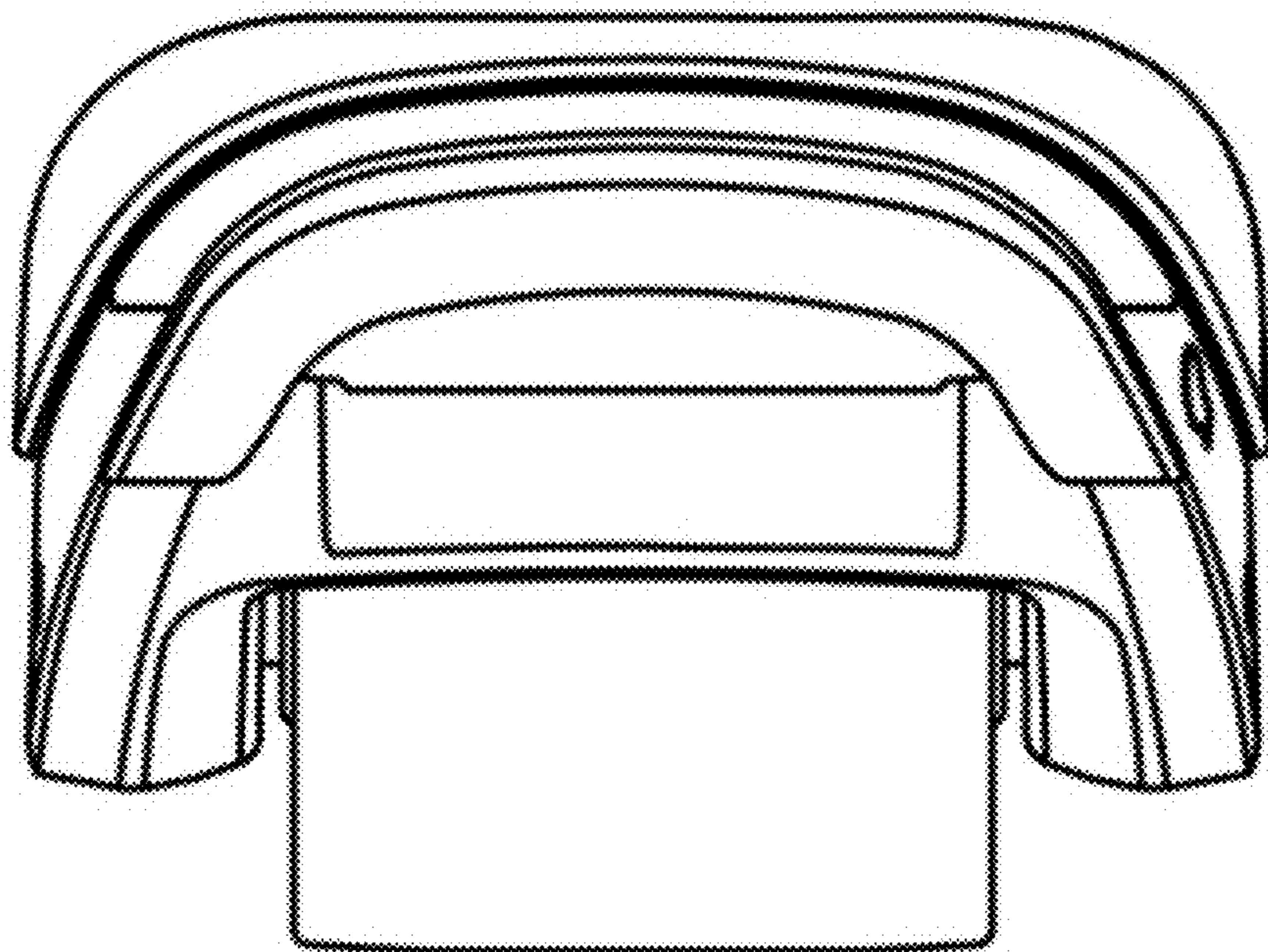
1.1



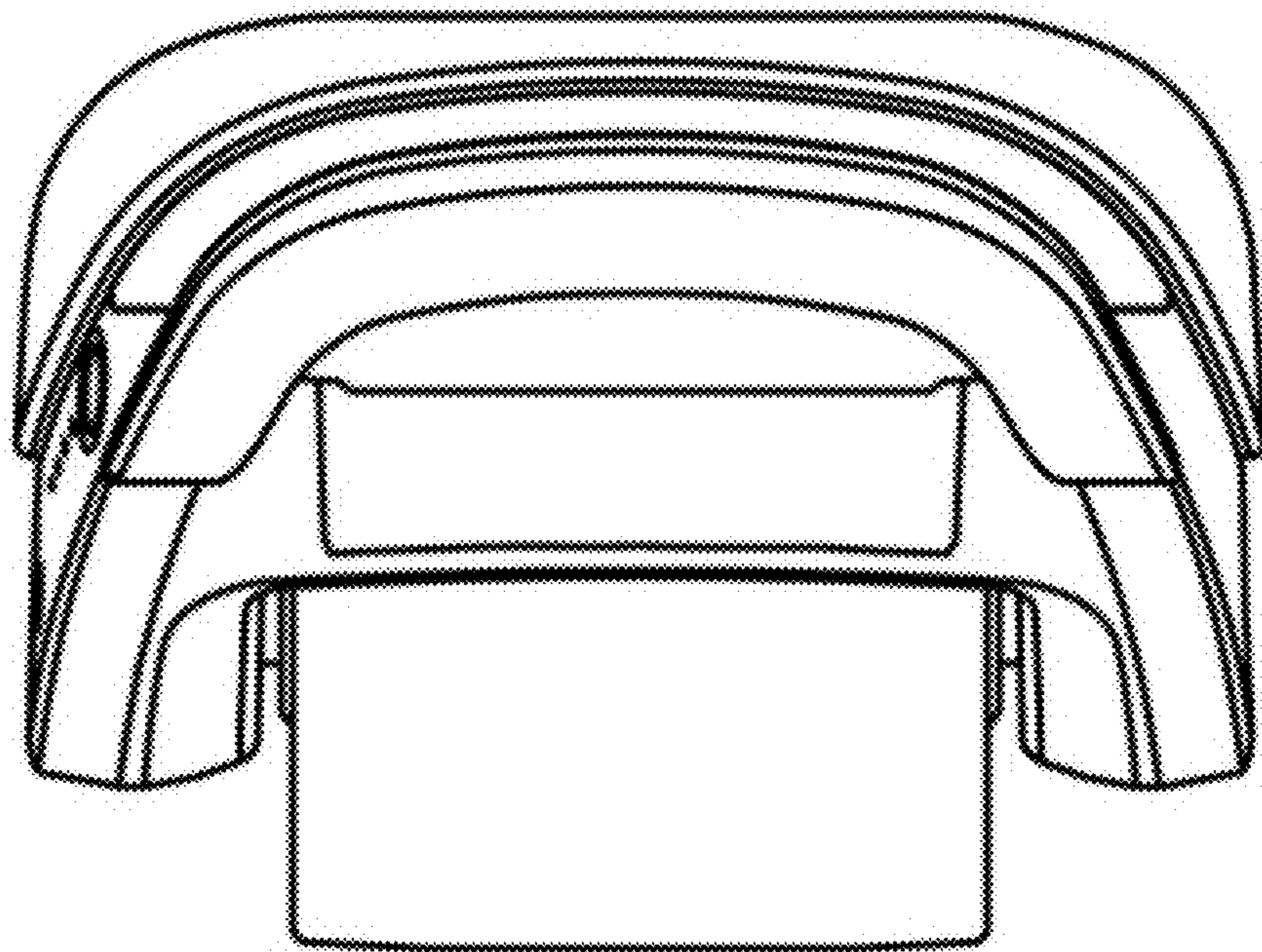
1.2



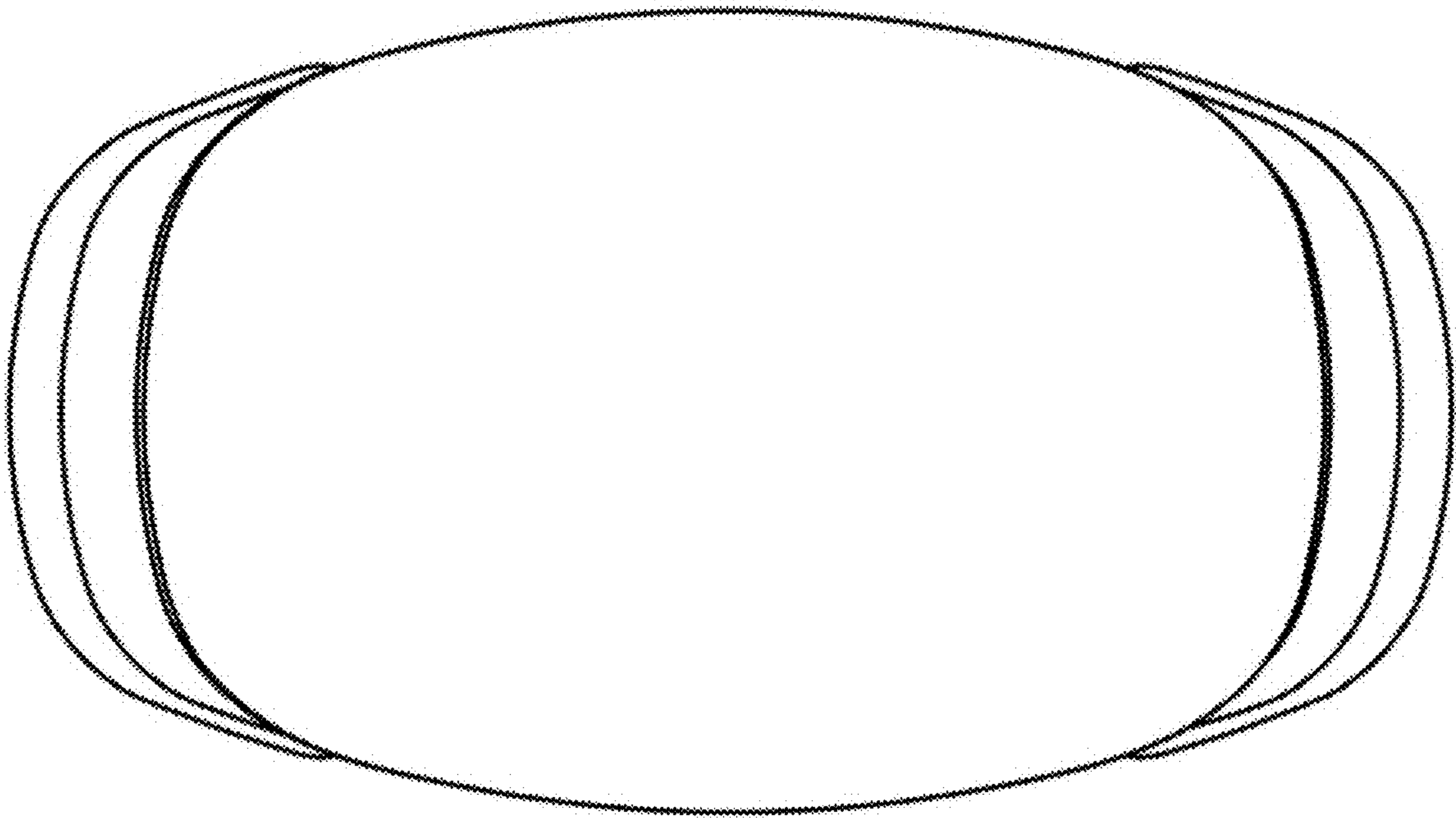
1.3



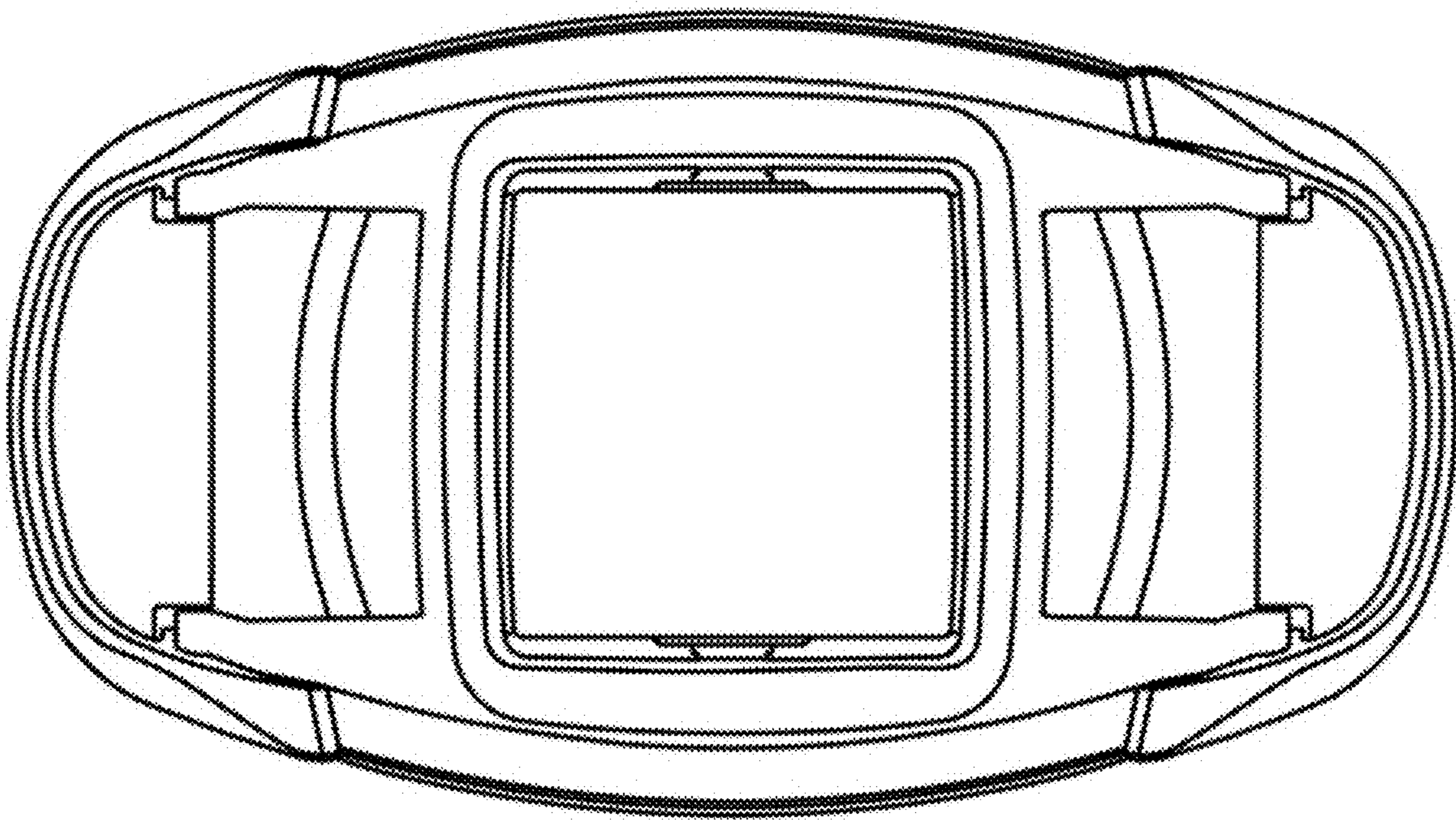
1.4



1.5



1.6



1.7

