



US00D865889S

(12) **United States Design Patent**
Spear, Jr.

(10) **Patent No.:** **US D865,889 S**

(45) **Date of Patent:** **** Nov. 5, 2019**

(54) **SKATEBOARD**

(71) Applicant: **Frank James Spear, Jr.**, Brooklyn, NY
(US)

(72) Inventor: **Frank James Spear, Jr.**, Brooklyn, NY
(US)

(**) Term: **15 Years**

(21) Appl. No.: **29/647,344**

(22) Filed: **May 11, 2018**

(51) **LOC (12) Cl.** **21-02**

(52) **U.S. Cl.**
USPC **D21/760; D21/765**

(58) **Field of Classification Search**
USPC D21/419, 421, 423, 426, 760, 765, 766,
D21/769, 771, 776, 803
CPC A63C 17/01; A63C 17/011; A63C 17/012;
A63C 17/014; A63C 17/015; A63C
17/02; A63C 17/26; A63C 5/003; A63B
69/0022; B60Q 1/326; B62K 3/001
See application file for complete search history.

(56) **References Cited**

U.S. PATENT DOCUMENTS

D410,515 S * 6/1999 Alexander D21/769
D413,954 S * 9/1999 Gerlach D21/765

D614,714 S * 4/2010 Walworth D21/760
D806,195 S * 12/2017 Zaring D21/765
2006/0131831 A1* 6/2006 Carmona A63C 17/12
280/221

* cited by examiner

Primary Examiner — Cynthia M. Chin

(74) *Attorney, Agent, or Firm* — Dunlap Bennett &
Ludwig PLLC

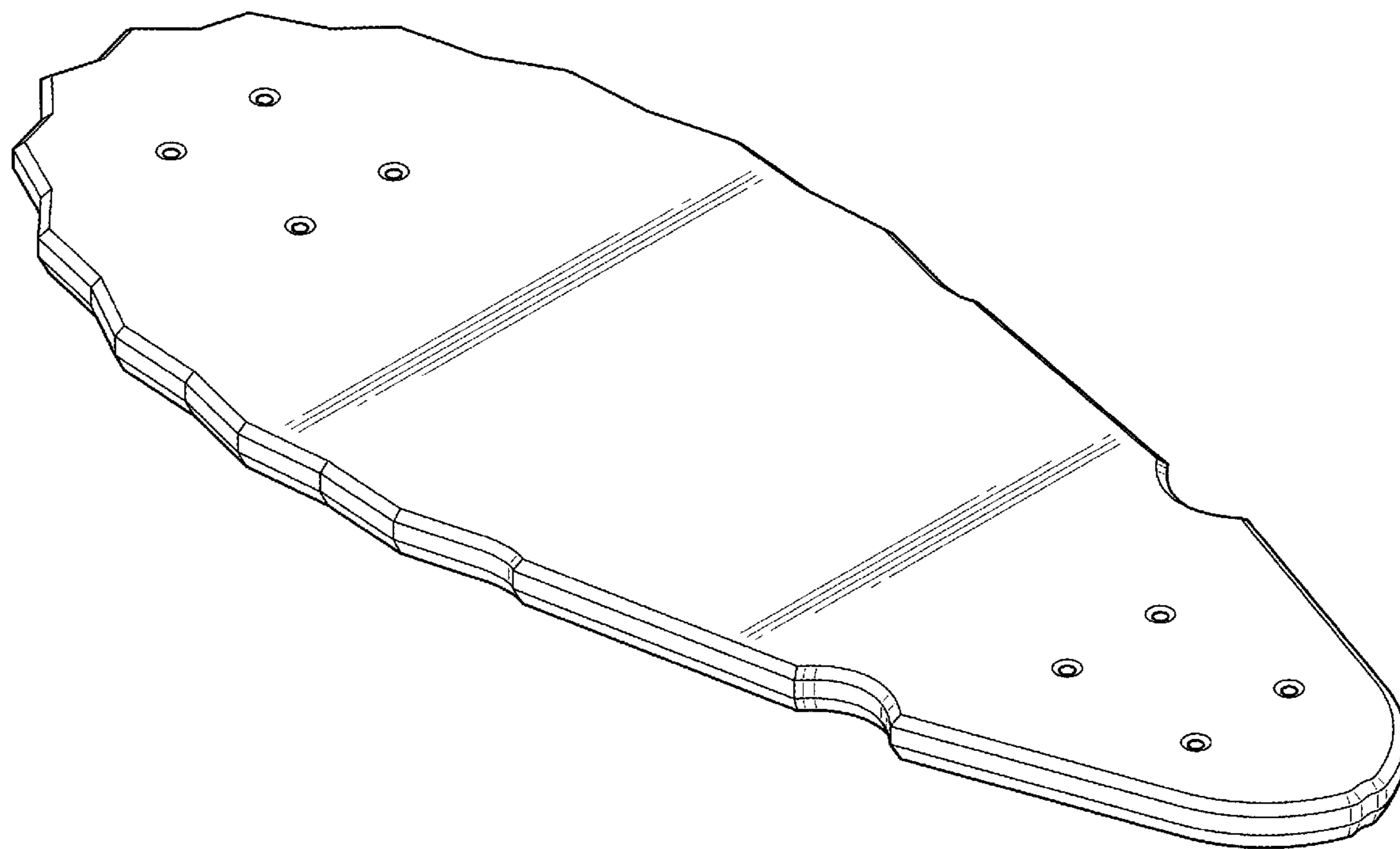
(57) **CLAIM**

The ornamental design for a skateboard, as shown and described.

DESCRIPTION

FIG. 1 is a perspective view of a skateboard;
FIG. 2 is a top elevation view thereof, the bottom elevation view being a mirror image thereof;
FIG. 3 is a rear elevation view thereof;
FIG. 4 is a front elevation view thereof; and,
FIG. 5 is a left side elevation view thereof, the right side elevation view being a mirror image thereof.

1 Claim, 3 Drawing Sheets



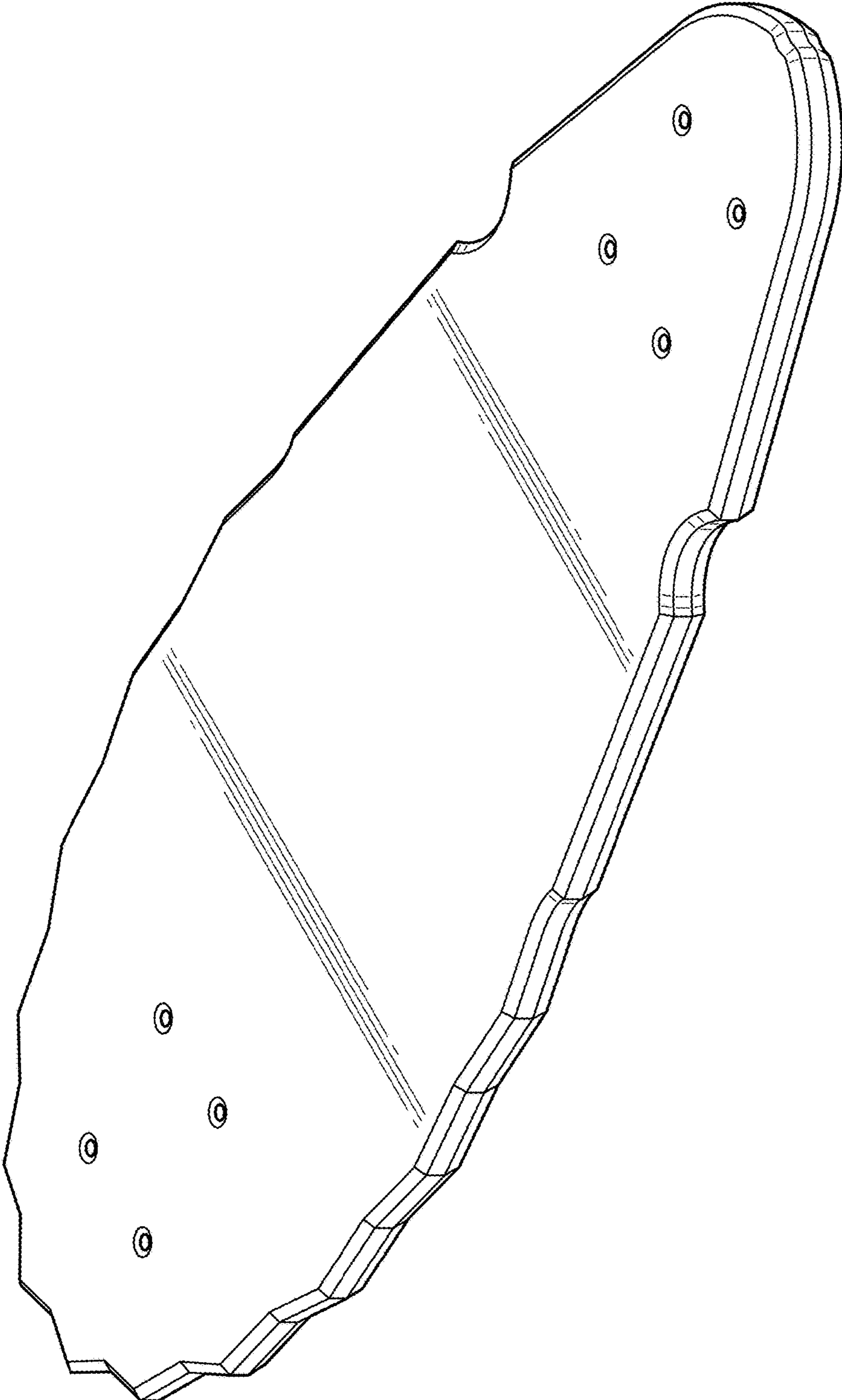


FIG. 1

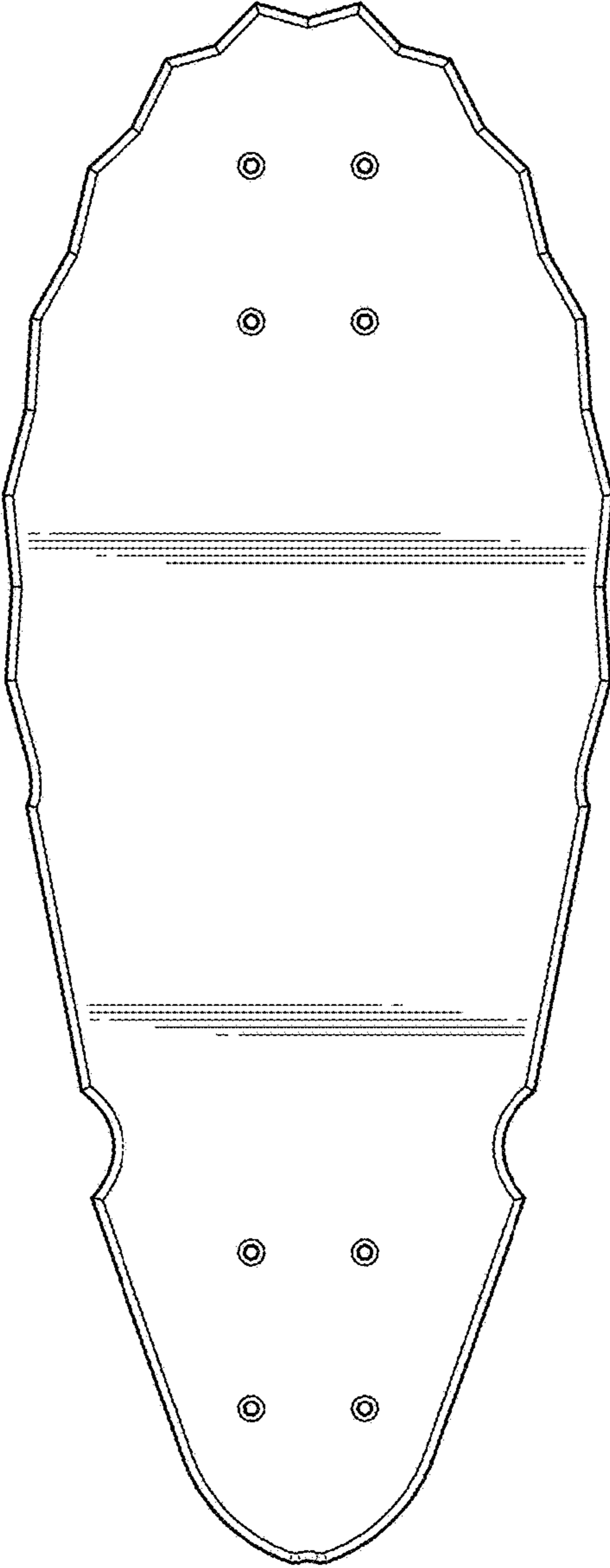


FIG. 2

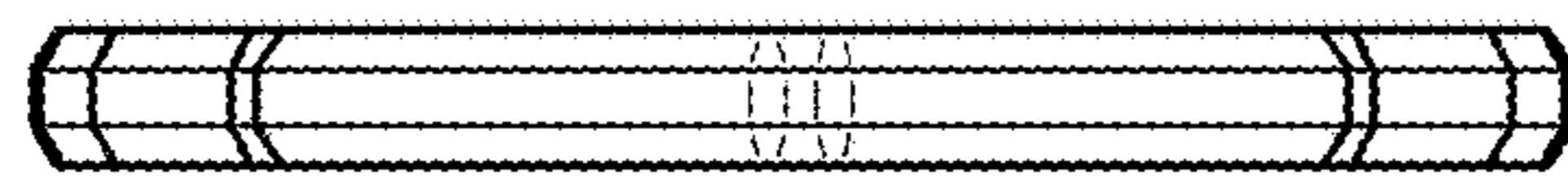


FIG. 3

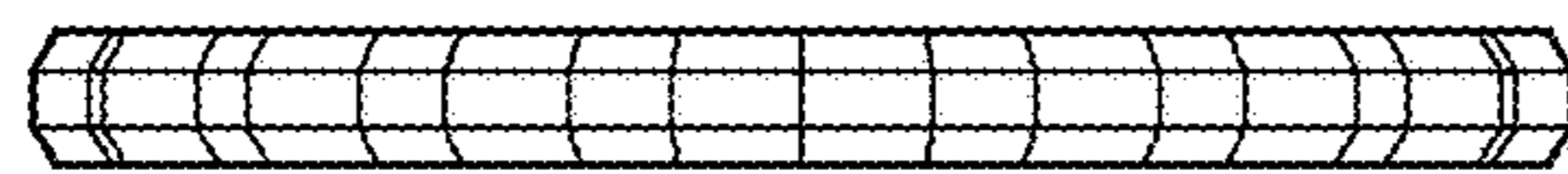


FIG. 4

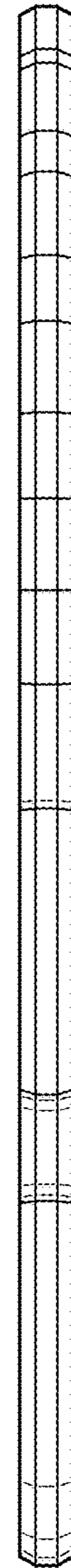


FIG. 5