



US00D865884S

(12) **United States Design Patent** (10) **Patent No.:** **US D865,884 S**  
**Patterson** (45) **Date of Patent:** **\*\* Nov. 5, 2019**

(54) **SOFT TOSS PITCHING MACHINE** 6,843,241 B1 \* 1/2005 Newcomer ..... A63B 69/407  
124/16  
(71) Applicant: **Michael W. Patterson**, Tupelo, MS 7,383,832 B2 6/2008 Soberg  
(US) 7,766,770 B2 8/2010 Cucjen et al.  
D773,578 S \* 12/2016 Gerut ..... D21/780  
D796,596 S \* 9/2017 Setty ..... D21/722  
(72) Inventor: **Michael W. Patterson**, Tupelo, MS 10,052,544 B2 \* 8/2018 Gowan ..... A63B 69/409  
(US) 2004/0266562 A1 \* 12/2004 Gowan ..... A63B 69/407  
473/416  
(\*\*) Term: **15 Years** 2006/0135290 A1 6/2006 Lin  
2009/0095273 A1 4/2009 Paulson et al.  
2011/0152011 A1 \* 6/2011 Forrest ..... A63B 69/40  
473/422  
(21) Appl. No.: **29/662,744** 2014/0378249 A1 \* 12/2014 Gowan ..... A63B 69/408  
473/451  
(22) Filed: **Sep. 7, 2018**

(51) **LOC (12) Cl.** ..... **21-02**  
(52) **U.S. Cl.**  
USPC ..... **D21/722**; D21/780  
(58) **Field of Classification Search**  
USPC ..... D21/722, 780, 698, 315, 356  
CPC ..... A63B 69/40; A63B 69/407; A63B  
2069/401–2069/405; A63B 2069/0008;  
A63B 47/002  
See application file for complete search history.

(56) **References Cited**  
U.S. PATENT DOCUMENTS

3,677,544 A \* 7/1972 Meyers ..... A63B 47/002  
473/451  
4,865,318 A \* 9/1989 Lehmann ..... A63B 69/407  
124/16  
5,125,653 A 6/1992 Kovacs et al.  
5,160,131 A \* 11/1992 Leon ..... A63B 69/409  
124/56  
5,221,081 A \* 6/1993 Rooks ..... A63B 69/407  
124/16  
5,722,384 A \* 3/1998 Cox ..... A63B 69/40  
124/78  
5,865,161 A 2/1999 Bruce  
6,182,649 B1 2/2001 Battersby et al.  
6,202,636 B1 3/2001 O'Brien  
6,508,243 B1 1/2003 Long  
6,684,872 B2 \* 2/2004 Kao ..... A63B 47/002  
124/56

FOREIGN PATENT DOCUMENTS

CN 1943830 4/2007

\* cited by examiner

*Primary Examiner* — Mitchell I. Siegel  
(74) *Attorney, Agent, or Firm* — Bush Intellectual  
Property Law; Kenneth M. Bush

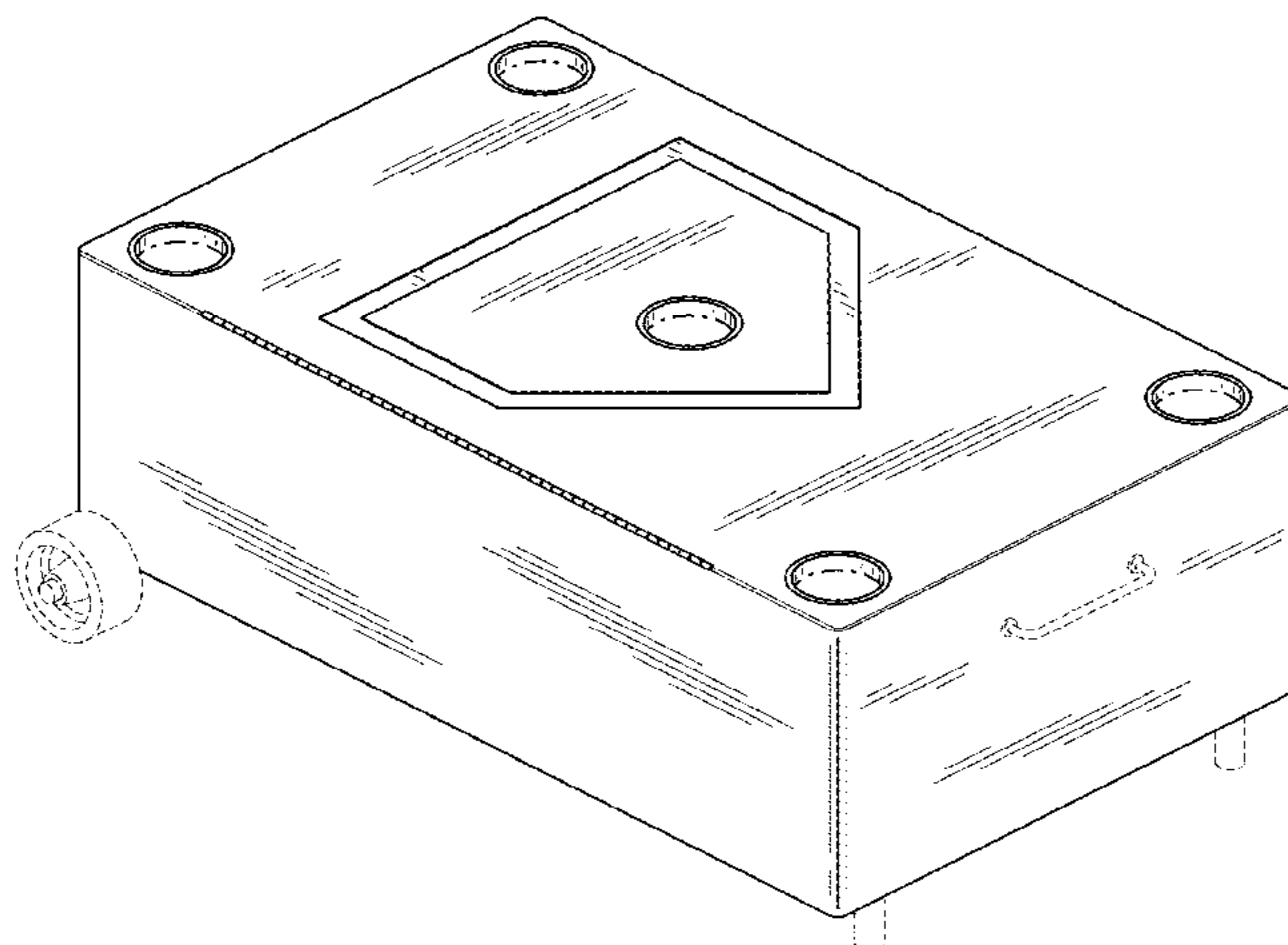
(57) **CLAIM**

I claim the ornamental design for a soft toss pitching machine, as shown and described.

**DESCRIPTION**

FIG. 1 is a top, front, left side perspective view of a soft toss pitching machine showing my new design;  
FIG. 2 is a front elevation view thereof;  
FIG. 3 is a rear elevation view thereof;  
FIG. 4 is a left side elevation view thereof;  
FIG. 5 is a right side elevation view thereof;  
FIG. 6 is a top plan view thereof; and,  
FIG. 7 is a bottom plan view thereof.  
The broken lines shown in the figures are for the purpose of illustrating portions of the soft toss pitching machine that form no part of the claimed design.

**1 Claim, 5 Drawing Sheets**



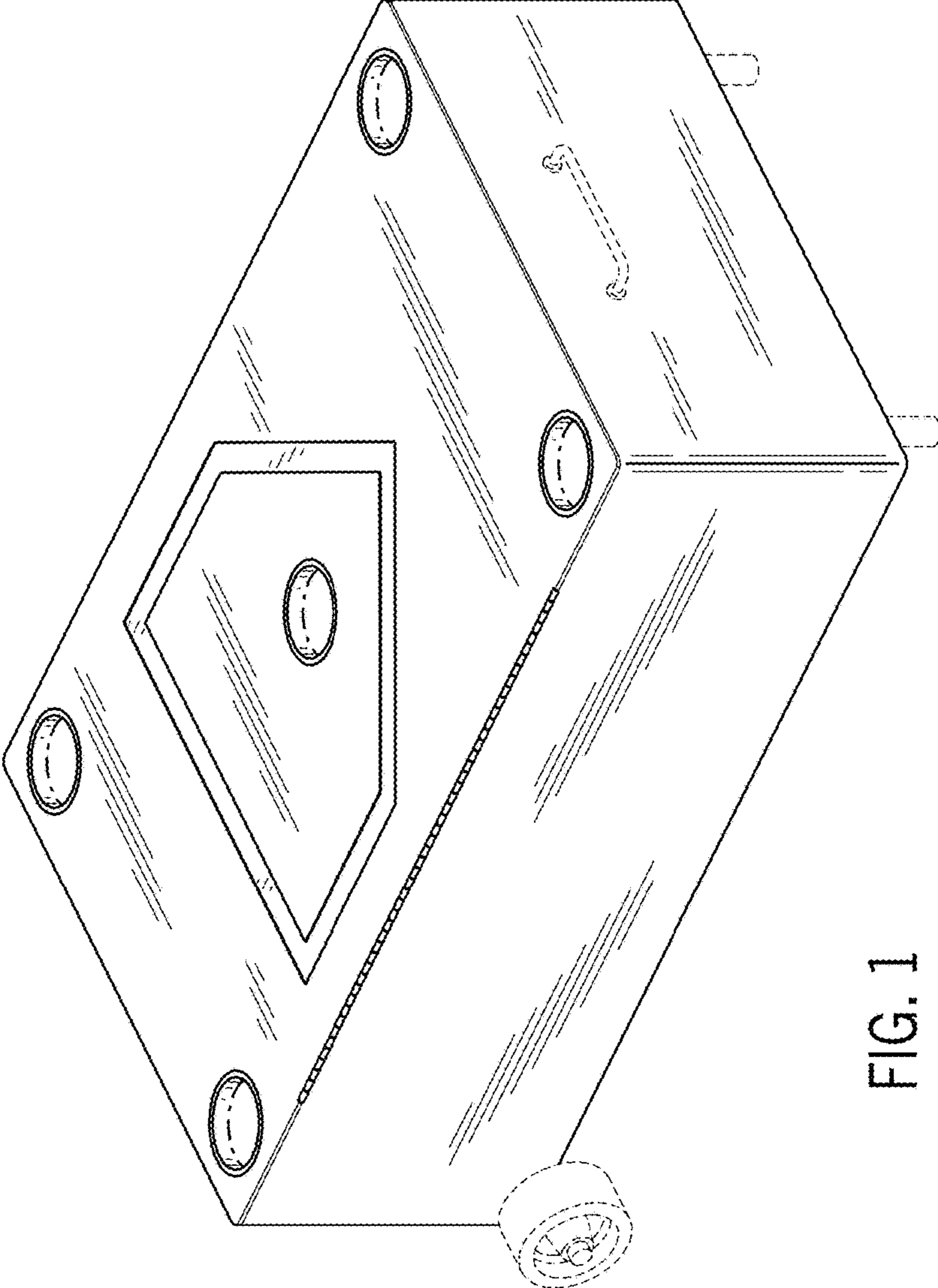


FIG. 1

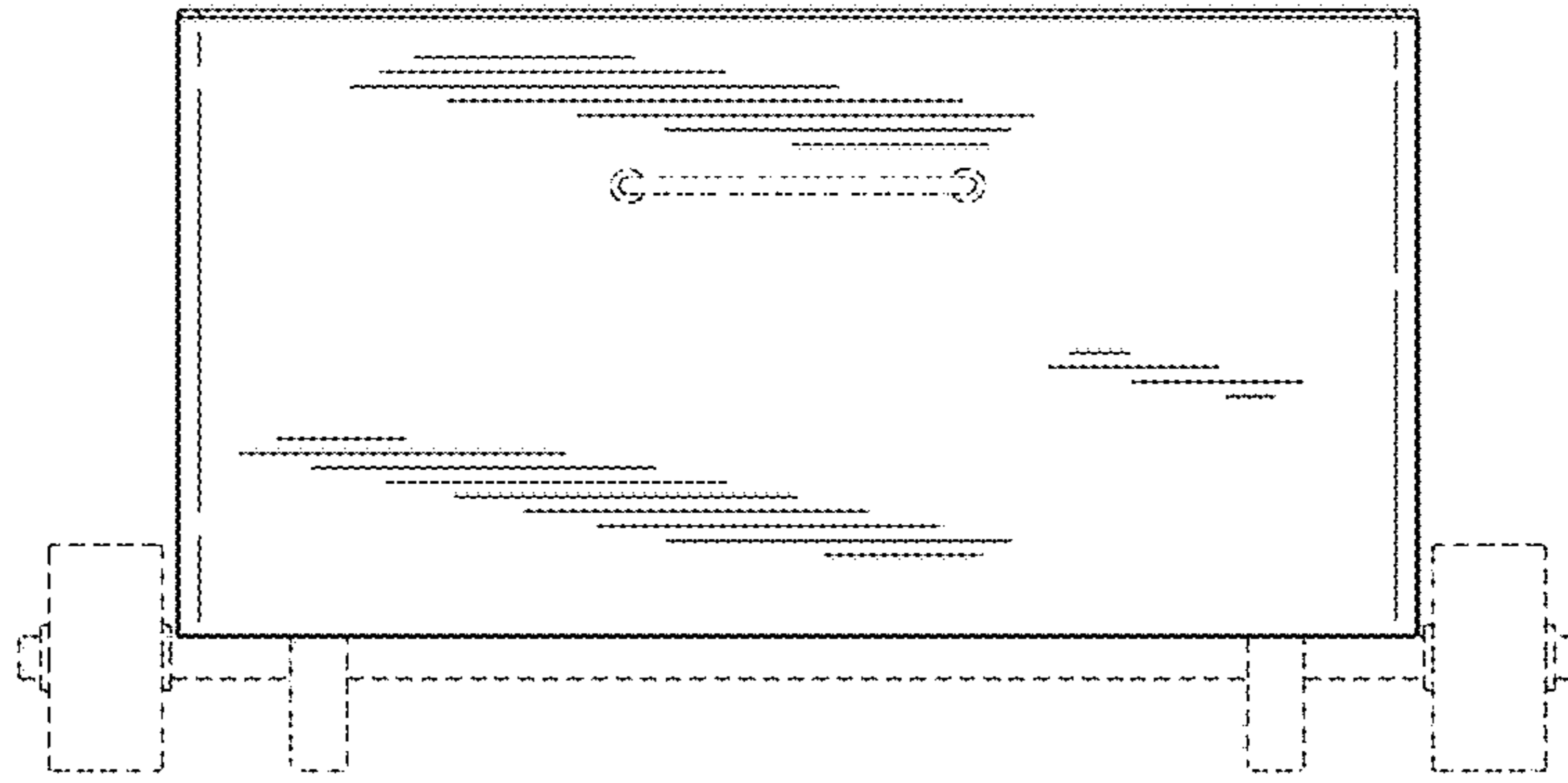


FIG. 2

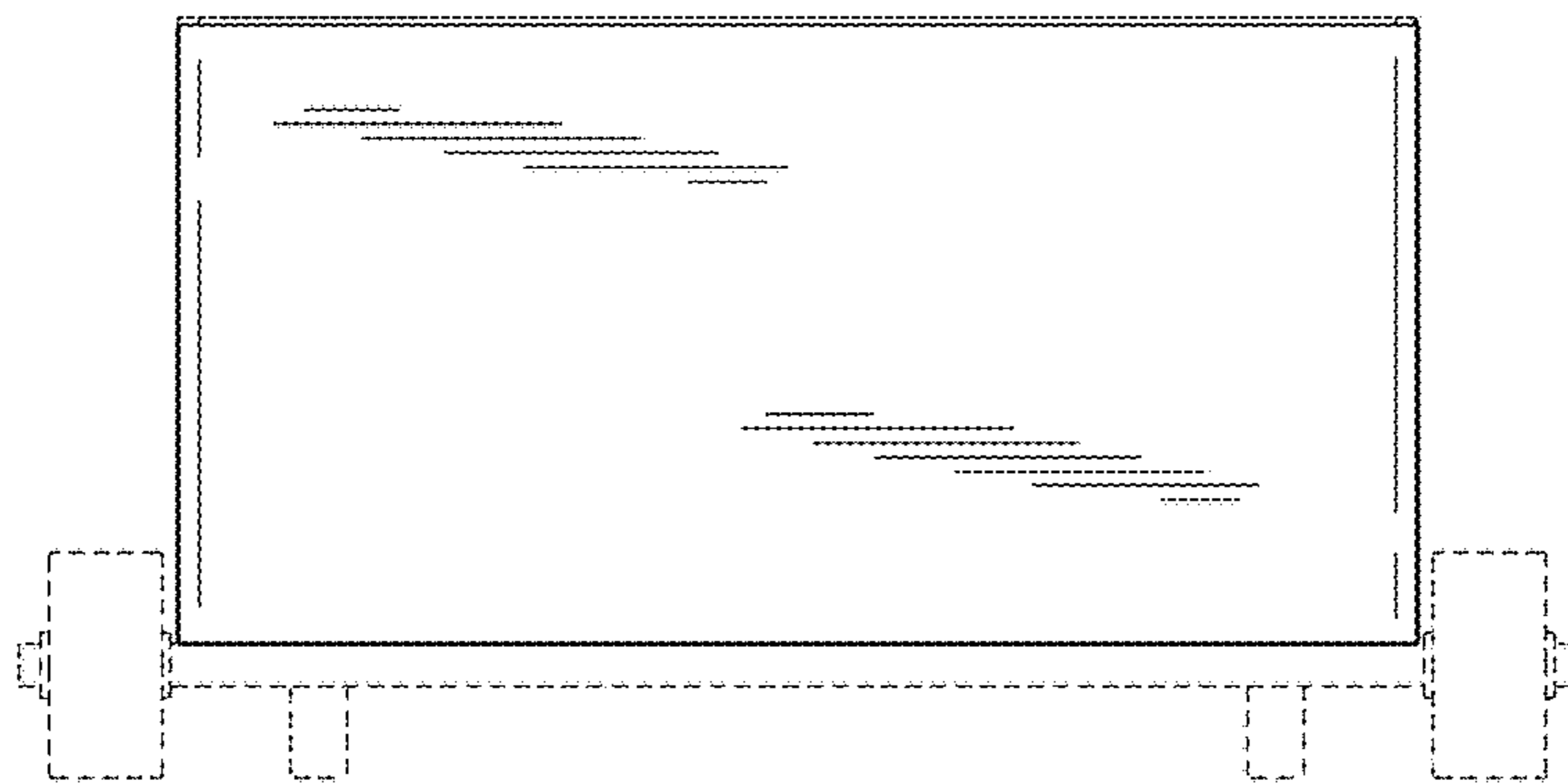


FIG. 3

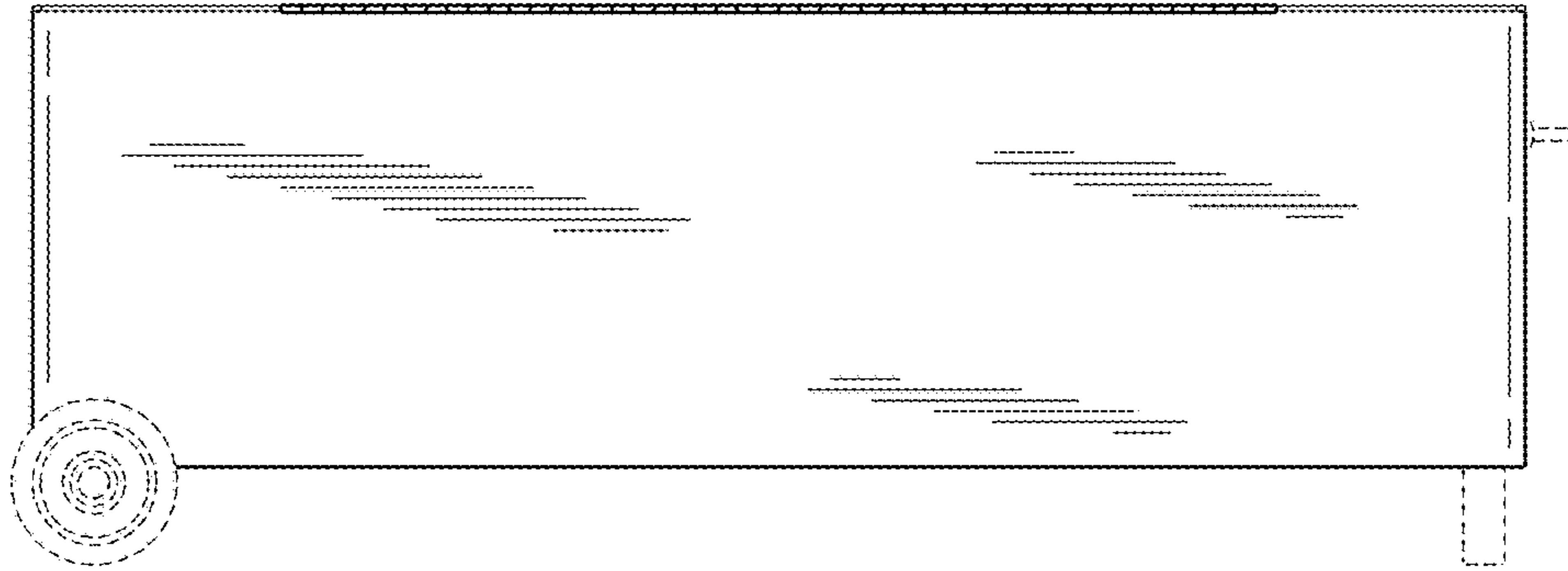


FIG. 4

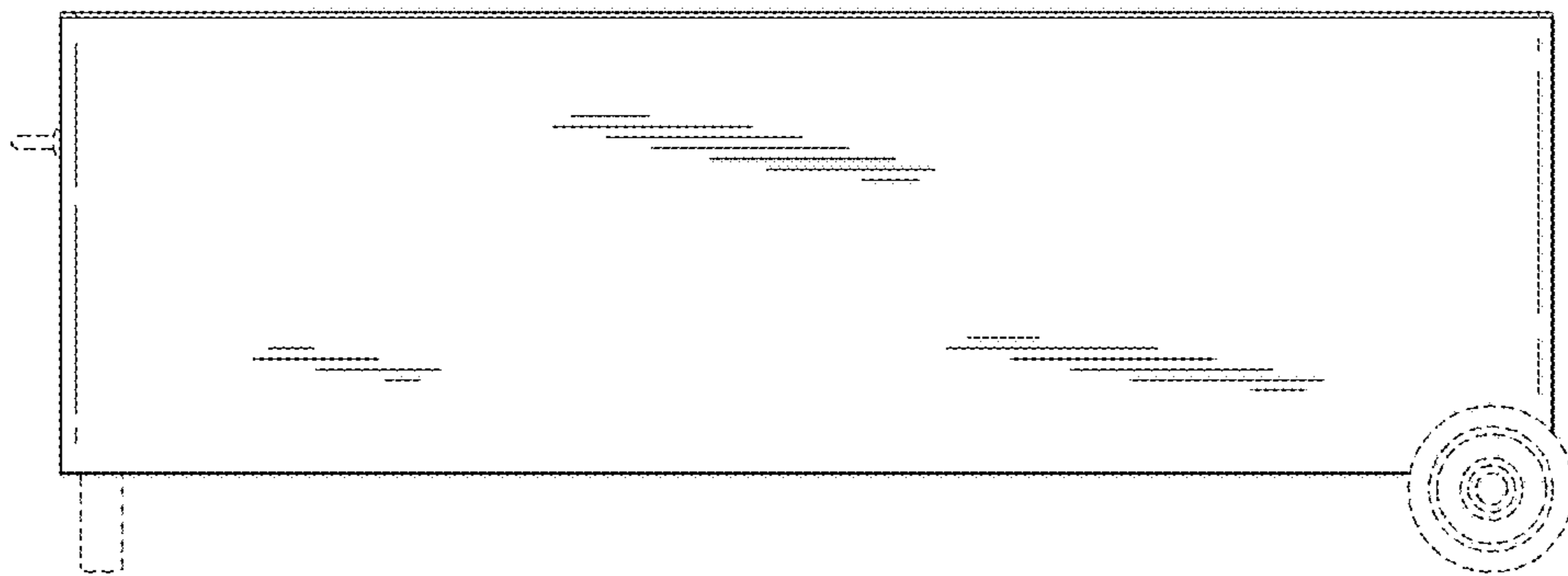


FIG. 5

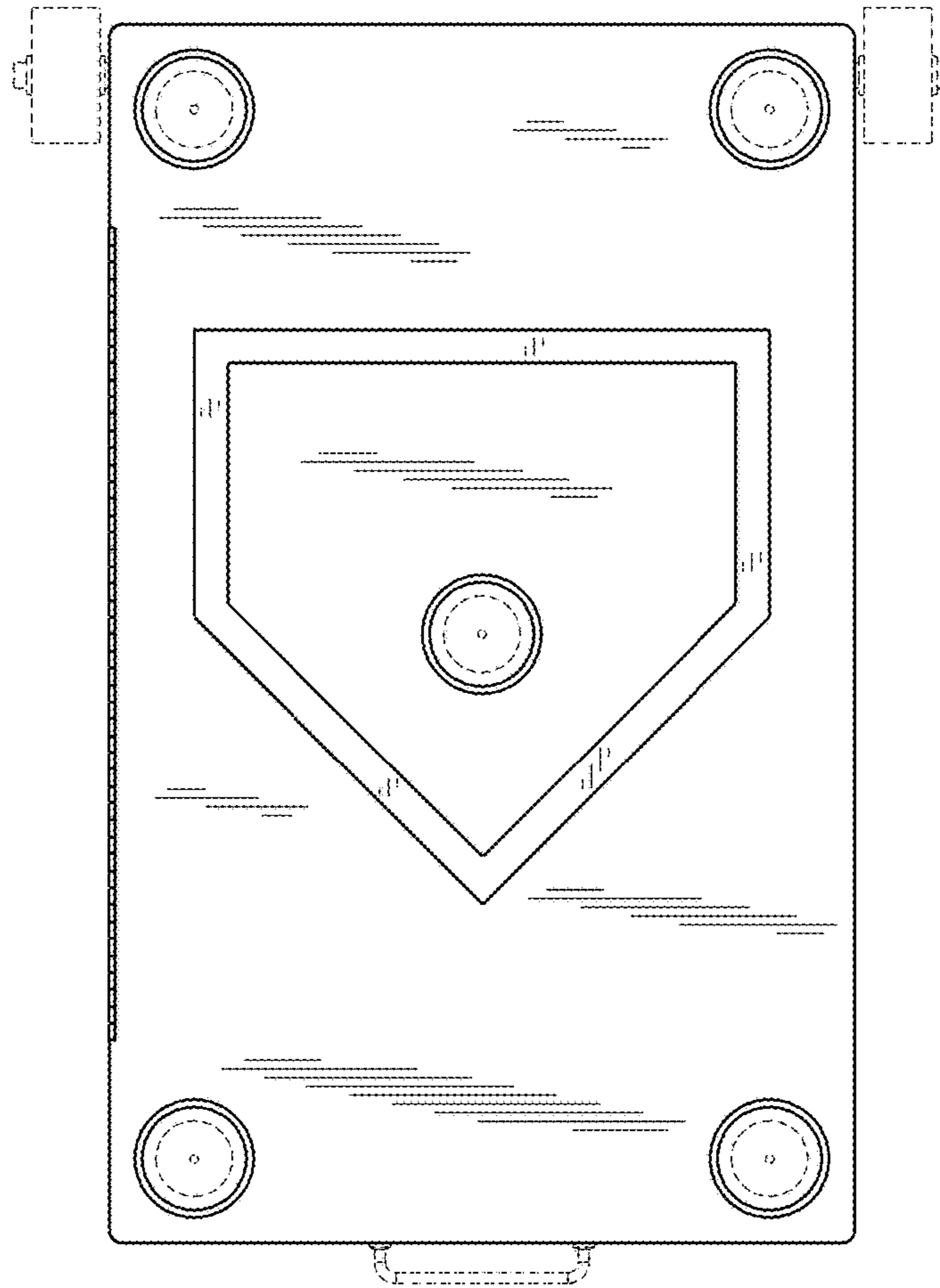


FIG. 6

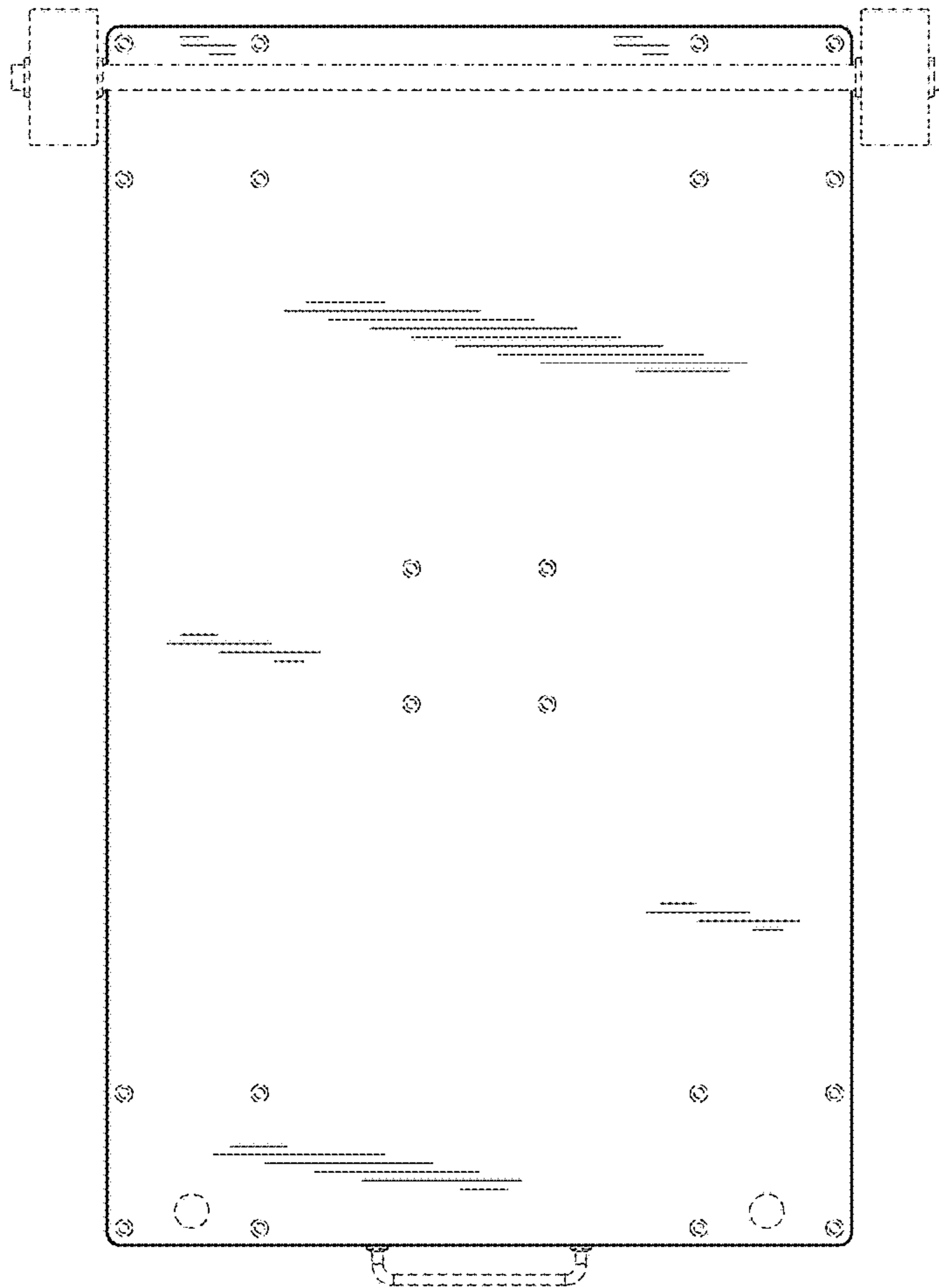


FIG. 7