



US00D865882S

(12) **United States Design Patent** (10) **Patent No.:** **US D865,882 S**  
**Bagumyan et al.** (45) **Date of Patent:** **\*\* Nov. 5, 2019**

(54) **HUMAN FOOSBALL PLAYING FIELD**

D352,969 S \* 11/1994 Cecchetti ..... D21/318  
5,720,678 A \* 2/1998 Korthauer ..... A63C 19/00

(71) Applicant: **Magic Jump, Inc.**, Sun Valley, CA  
(US)

D410,510 S \* 6/1999 Sherwood ..... D21/699  
(Continued)

(72) Inventors: **Sarmen Bagumyan**, Sun Valley, CA  
(US); **Arthur Bagumyan**, Sun Valley,  
CA (US); **Andranik Andy Bagumyan**,  
Sun Valley, CA (US)

**FOREIGN PATENT DOCUMENTS**

CA 2190695 A1 \* 5/1998 ..... A63B 5/11  
CN 303729928 \* 6/2016

(Continued)

(\*\*) Term: **15 Years**

**OTHER PUBLICATIONS**

(21) Appl. No.: **29/611,523**

DigitLab—Human Foosball. YouTube Video at URL: <https://www.youtube.com/watch?v=Y1hNnFlbwRo>. Published Jun. 4, 2014 [Accessed Aug. 13, 2019]. Screen shots at: 1:00, :14, :17, :24, :25, :29, :35, :37, :45, :53, 1:03, 1:07 and 1:17. (Year: 2014).\*

(Continued)

(22) Filed: **Jul. 21, 2017**

(51) **LOC (12) Cl.** ..... **21-02**

(52) **U.S. Cl.**

USPC ..... **D21/705**; D21/318; D21/811

(58) **Field of Classification Search**

USPC ..... D21/300–303, 305, 312, 313, 314, 318,  
D21/338–341, 357, 397, 698, 699, 705,  
D21/706, 797; 472/92, 94, 134;  
273/444; 473/415, 471, 490

CPC ... A63B 2225/62; A63B 67/00; A63B 67/002;  
A63B 2067/005; A63B 2063/00; A63B  
2063/004; A63B 2243/0025; A63B 71/02;  
A63B 71/022; A63C 2203/16; A63C  
19/00; A63F 2009/0086; A63F 2250/12;  
A63F 2250/127; A63F 2250/20; A63F  
2250/21; A63F 2250/26; A63F 2250/32;  
A63G 33/00

See application file for complete search history.

*Primary Examiner* — Catherine A Tuttle

(74) *Attorney, Agent, or Firm* — Not Just Patents LLC;  
Wendy S Peterson

(57)

**CLAIM**

The ornamental design for a human foosball playing field, as shown and described.

**DESCRIPTION**

FIG. 1 is a top, front, right perspective view of a human foosball playing field showing our new design;

FIG. 2 is a top view thereof;

FIG. 3 is a bottom view thereof;

FIG. 4 is a left view thereof;

FIG. 5 is a right view thereof;

FIG. 6 is a back view thereof; and,

FIG. 7 is a front view thereof.

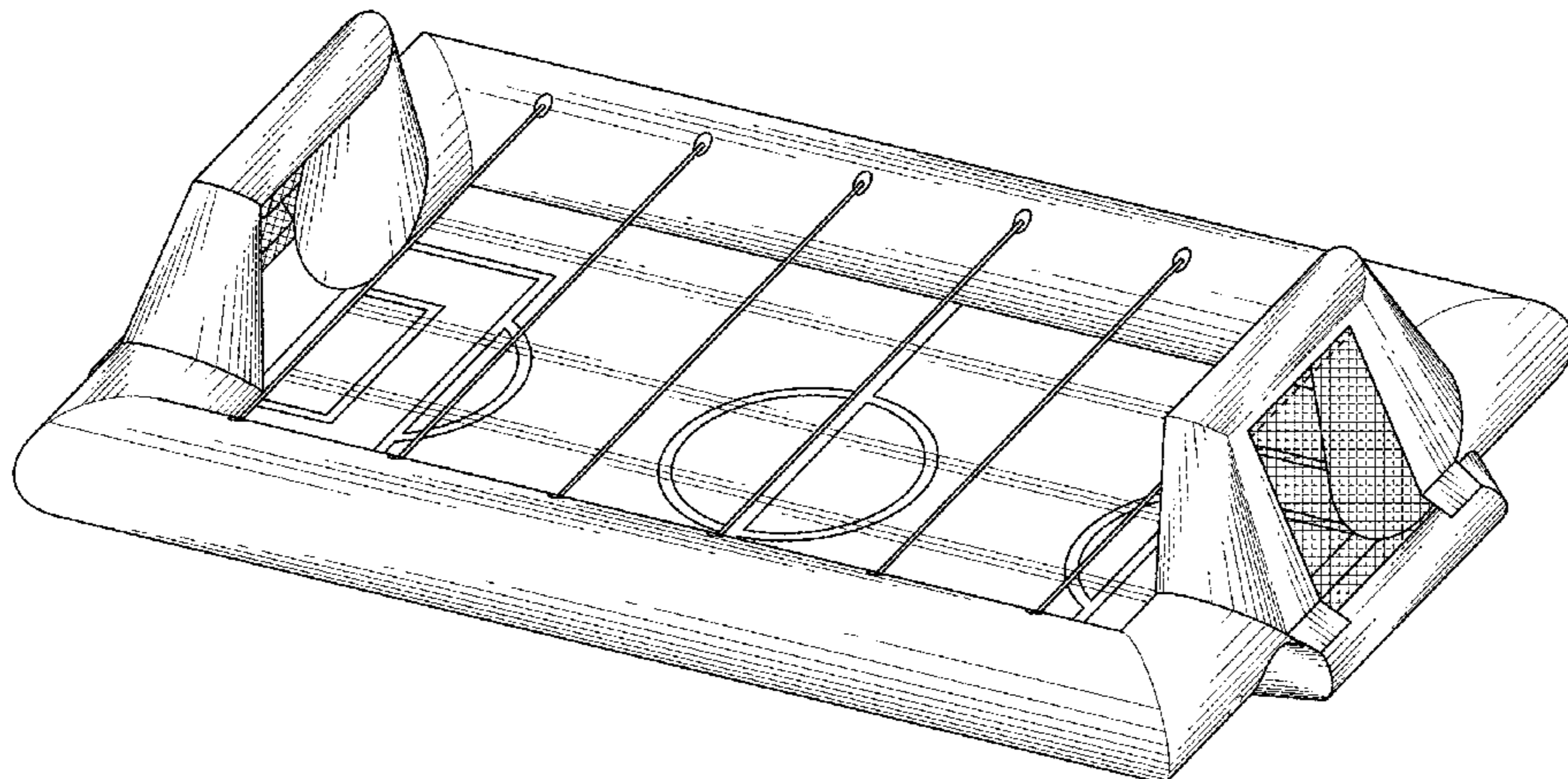
The dashed lines in FIGS. 1, 6, and 7 depict features of the human foosball playing field that form no part of the claimed design.

(56) **References Cited**

**U.S. PATENT DOCUMENTS**

3,801,093 A \* 4/1974 Jones, III ..... E04H 15/22  
472/94  
3,808,831 A \* 5/1974 Landry ..... E01C 13/102  
62/235  
4,134,586 A \* 1/1979 King ..... A63B 23/0464  
473/440

**1 Claim, 5 Drawing Sheets**



(56)

References Cited

U.S. PATENT DOCUMENTS

D434,079 S \* 11/2000 Sturla ..... D20/10  
 D499,149 S \* 11/2004 Doherty ..... D21/314  
 D666,247 S \* 8/2012 Fox ..... D21/318  
 2005/0049090 A1\* 3/2005 Chen ..... A63B 63/083  
 473/479  
 2012/0129618 A1\* 5/2012 Gray ..... A63G 31/12  
 472/134  
 2016/0129333 A1\* 5/2016 Kroeten ..... A63B 63/004  
 473/478

FOREIGN PATENT DOCUMENTS

CN 304123458 \* 5/2017  
 CN 304206554 \* 7/2017  
 FR 2885375 A1 \* 11/2006 ..... A63B 63/004  
 WO WO-2010130062 A1 \* 11/2010 ..... A63C 19/08

OTHER PUBLICATIONS

Giant Human Foosball at Warrigal State School Published on Oct. 17, 2016 [accessed Aug. 13, 2019] YouTube Video at URL: <https://youtu.be/Uad0SbMJm3U> Screen Shots at: :01, :07 & :08 (Year: 2016).\*

O' Week 2015—markets, slip 'n' slide, human foosball & live music YouTube video at URL: <https://youtu.be/SfXbaqSTLbU> Published on Feb. 24, 2015 [accessed Aug. 13, 2019] Screen shots at :30, :33, :37, :41 & :44 (Year: 2015).\*

Foosball game shown on webpage: <http://www.magicjumprentals.com/clients/3/assets/Human-Foosball-Game-1.jpg> Web Archive Capture date: Feb. 16, 2014 [Accessed Aug. 14, 2019] (Year: 2014).\*

Foosball game shown on webpage: <https://web.archive.org/web/20020515124116/http://www.amusementsunlimited.com/images/wakyfoos3.jpg> Web Archive capture date: May 15, 2002 [Accessed Aug. 14, 2019] (Year: 2002).\*

\* cited by examiner

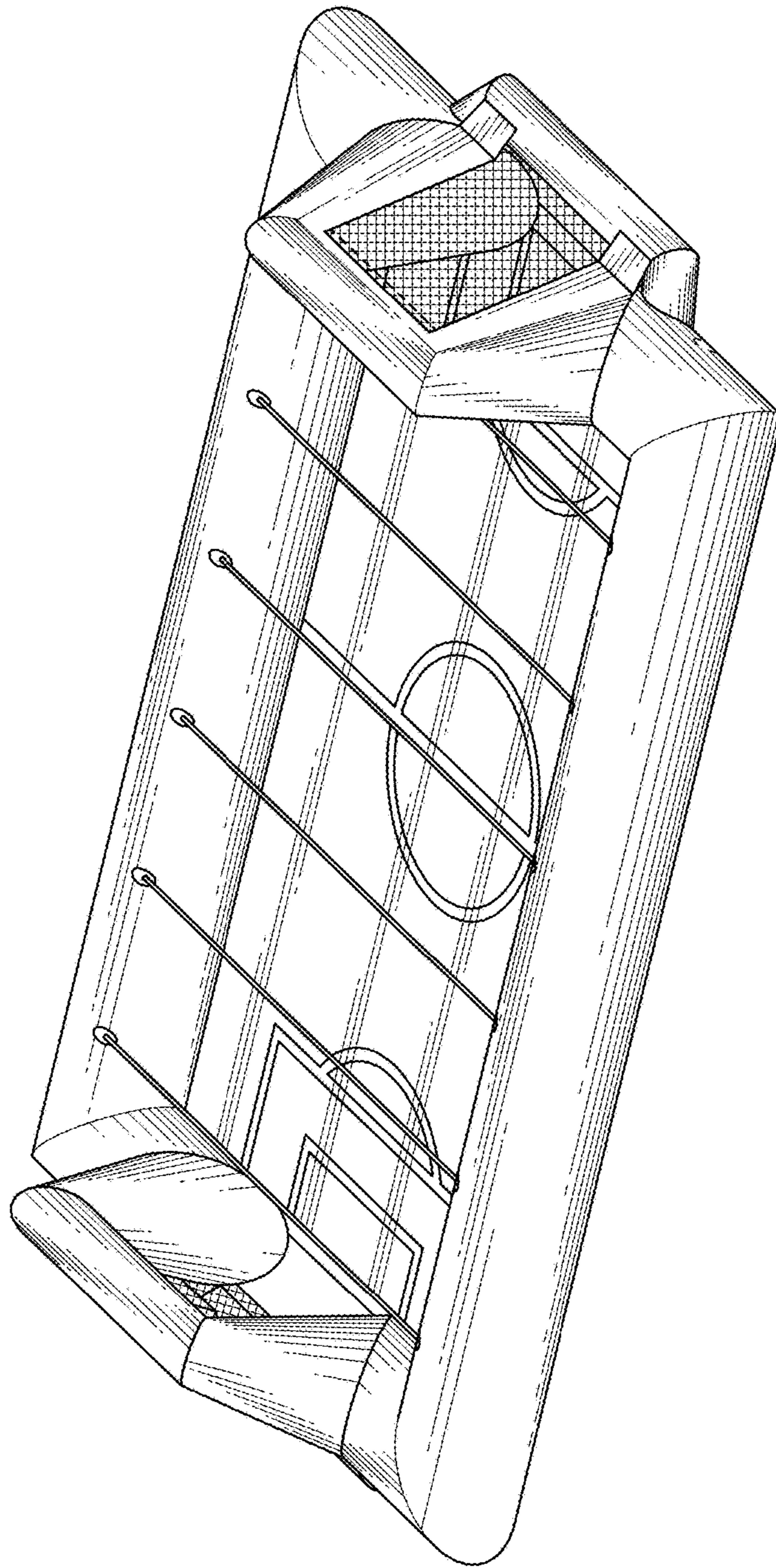


FIG. 1

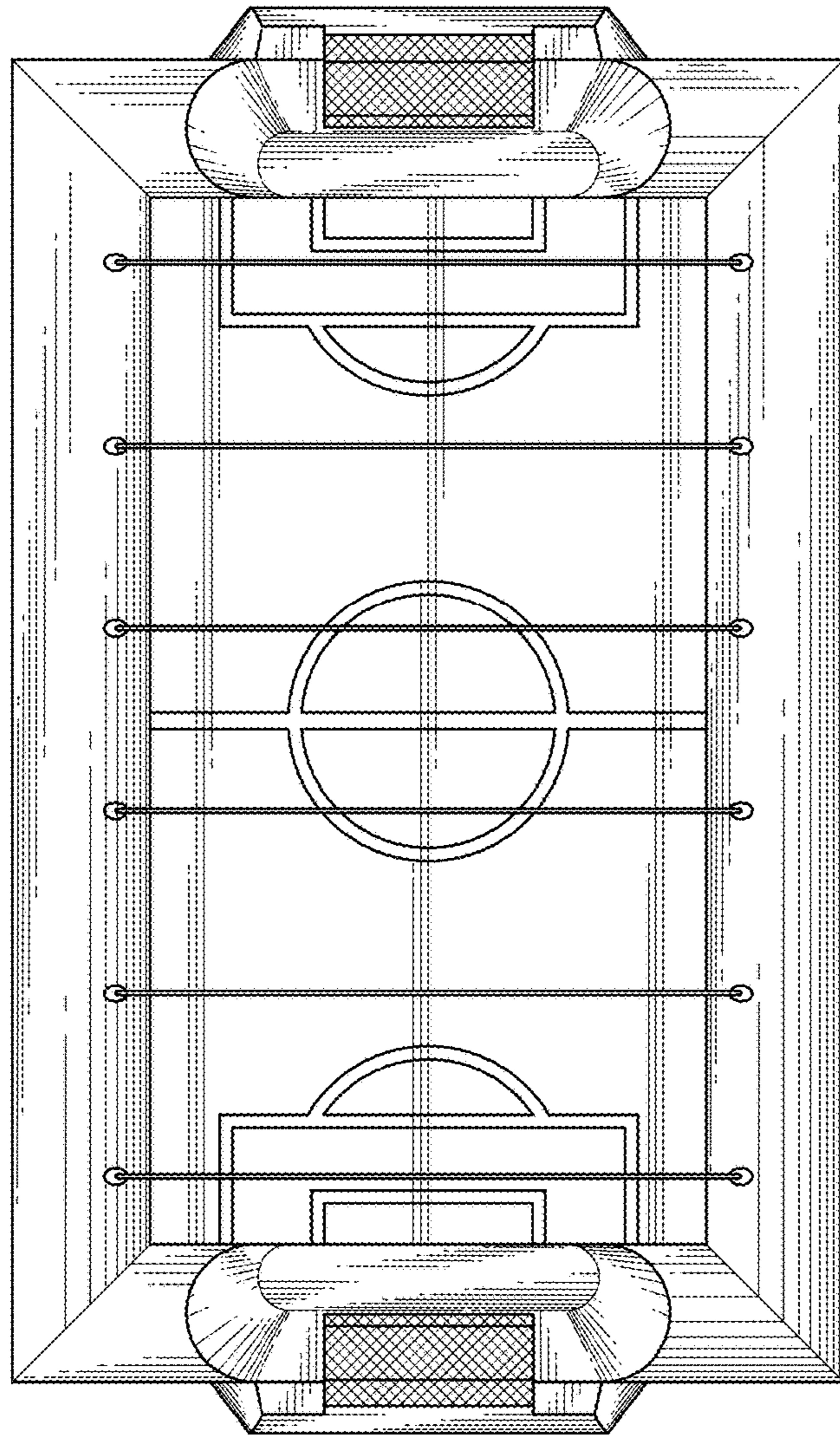


FIG. 2

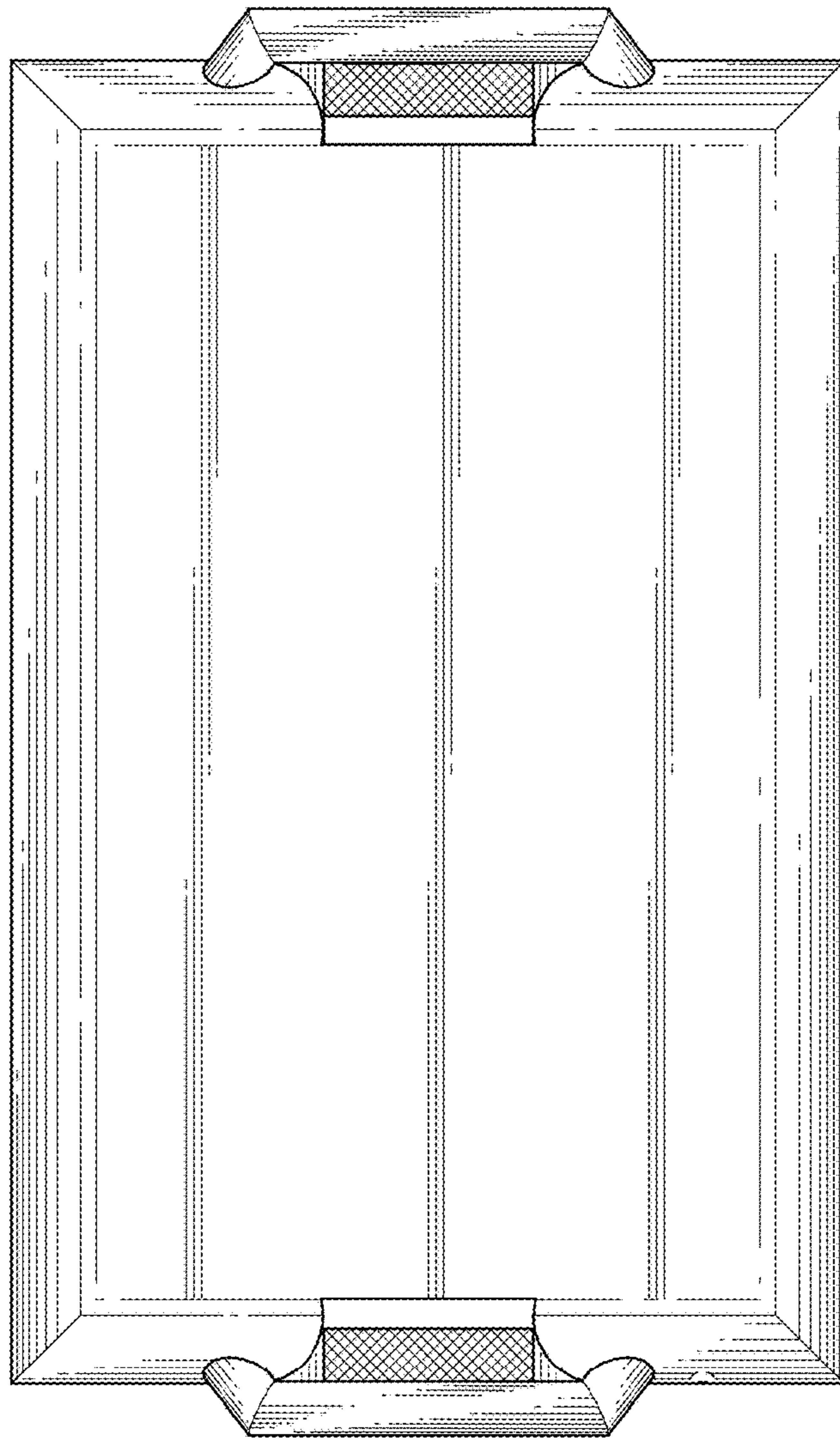


FIG. 3

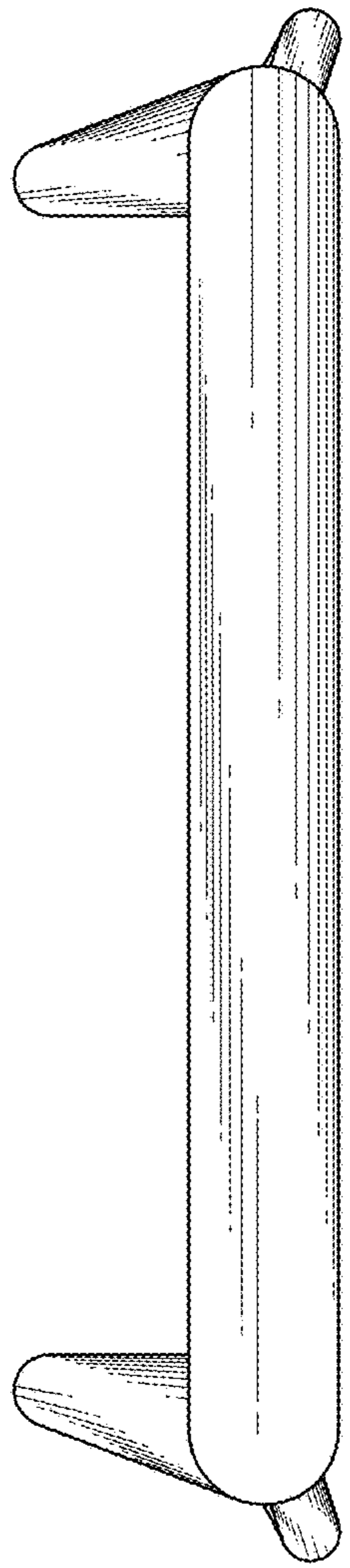


FIG. 4

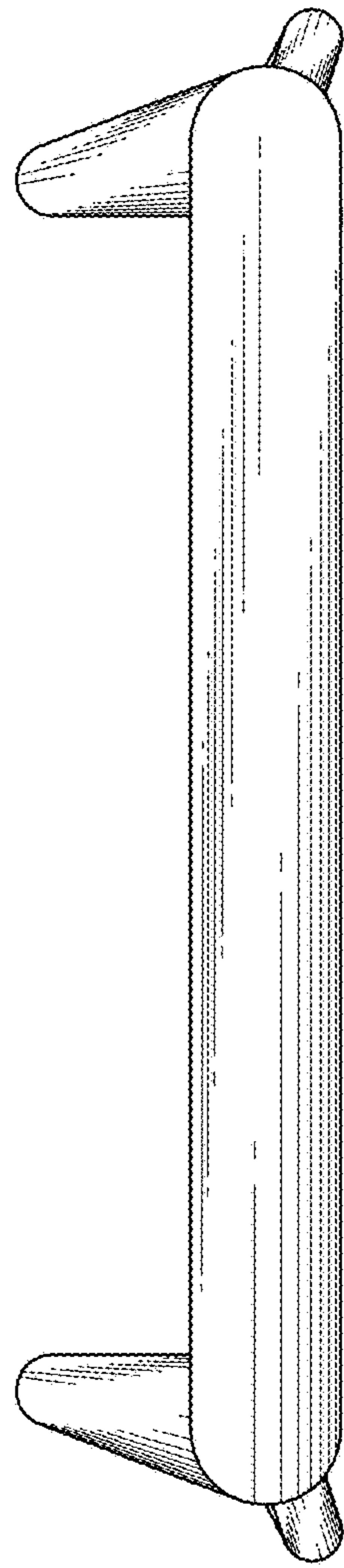


FIG. 5

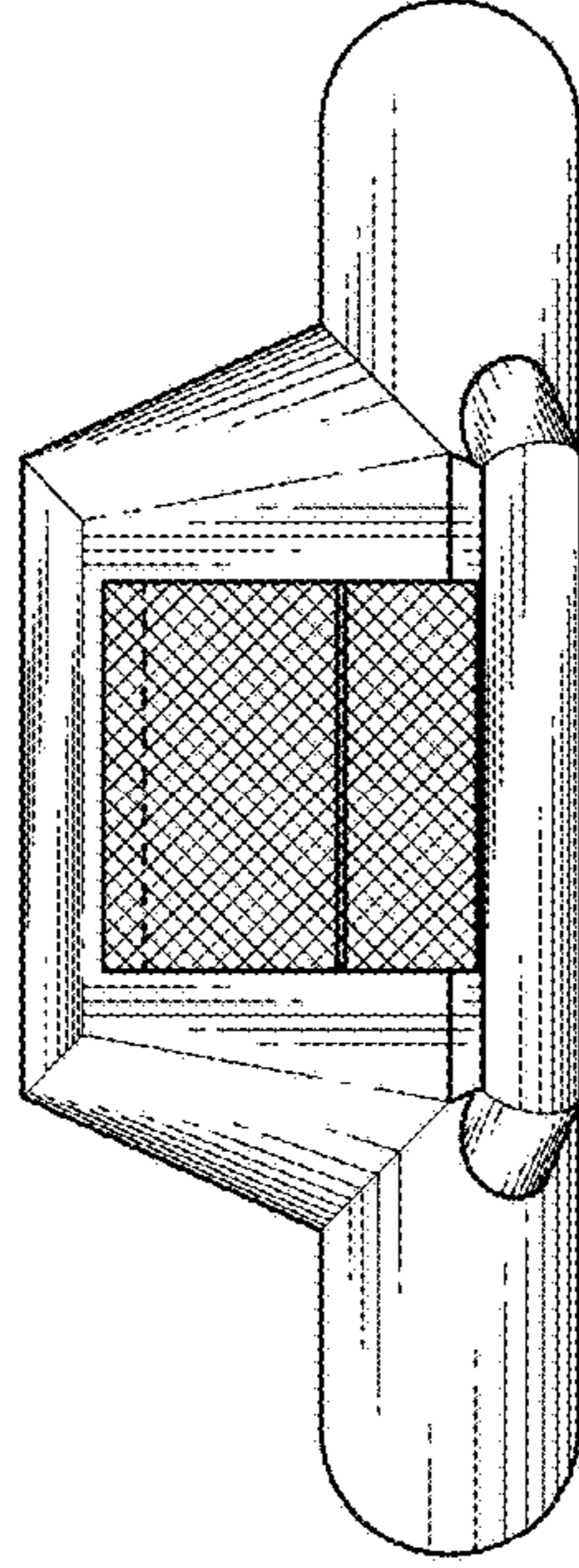


FIG. 7

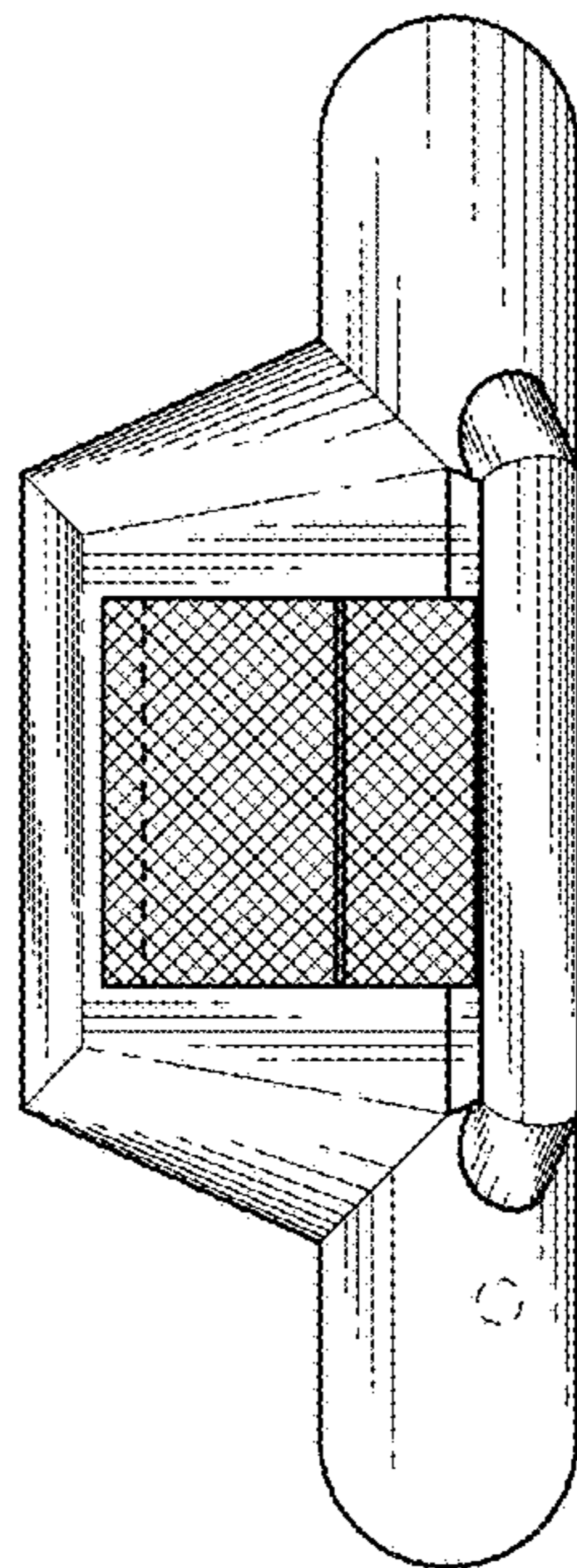


FIG. 6