



US00D865881S

(12) **United States Design Patent**
Muir et al.

(10) **Patent No.:** **US D865,881 S**

(45) **Date of Patent:** **** Nov. 5, 2019**

- (54) **WEIGHT LIFTING BAR COLLAR**
- (71) Applicant: **Next Distributions, Inc.**, Draper, UT (US)
- (72) Inventors: **Patrick Muir**, Draper, UT (US); **Paul Johnson**, Mead, WA (US)
- (73) Assignee: **Next Distributions, Inc.**, Draper, UT (US)
- (**) Term: **15 Years**
- (21) Appl. No.: **29/698,526**
- (22) Filed: **Jul. 17, 2019**
- (51) **LOC (12) Cl.** **21-02**
- (52) **U.S. Cl.**
USPC **D21/694**
- (58) **Field of Classification Search**
USPC 285/112, 148.6, 365, 372, 409, 81;
482/107; D21/694, 681, 679, 839;
D8/396, 354; D13/152, 153, 154;
D6/382; D23/265, 262; 24/271, 303,
24/535; 248/157, 218.4, 74.2; 403/318,
403/359.3, 344, 362, 17, 374.5, 109.1;
135/75, 65, 76; 42/124
CPC F16L 17/04; F16L 21/005; F16L 21/08;
F16L 23/06; F16L 23/08; F16L 21/06;
Y10T 24/32
See application file for complete search history.

(56) **References Cited**

U.S. PATENT DOCUMENTS

- 2,241,089 A * 5/1941 Hampe F16L 21/06
285/409
- D142,834 S * 11/1945 Campbell D23/265
- 2,689,141 A * 9/1954 Kiekhaefer F16L 23/06
285/409
- 2,731,280 A * 1/1956 Goodliffe F16L 21/005
285/372

- 2,775,806 A * 1/1957 Love F16L 23/06
24/271
- D188,377 S * 7/1960 Martin D13/152
- 3,113,791 A * 12/1963 Frost F16L 17/04
285/112
- 3,305,234 A 2/1967 Cline et al.
- D280,433 S * 9/1985 Lincir D21/694
- D287,387 S * 12/1986 Oliver D21/694
- 4,639,979 A * 2/1987 Polson A63B 21/0728
24/273
- 4,773,641 A * 9/1988 Metz A63B 21/0728
24/671
- 5,295,933 A * 3/1994 Ciminski A63B 21/0728
24/270
- 5,591,109 A * 1/1997 Strnad A63B 21/0728
24/524
- D412,972 S * 8/1999 Kroulik D23/265

(Continued)

OTHER PUBLICATIONS

Clout Fitness Barbell Collar, Aug. 2018 (Owned by Applicant).

Primary Examiner — Ryan Harvey

(74) *Attorney, Agent, or Firm* — Bateman IP

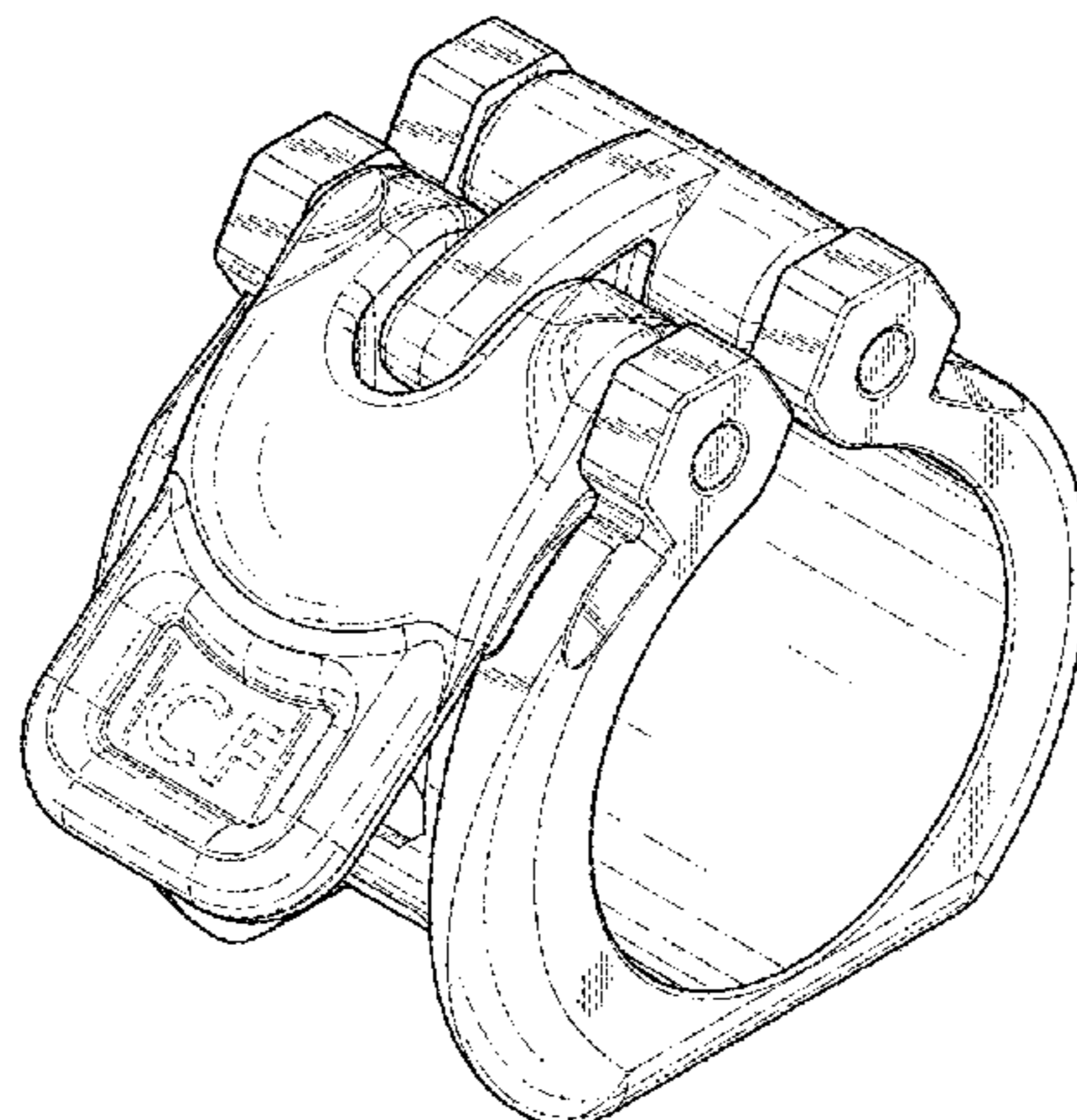
(57) **CLAIM**

The ornamental design for a weight lifting bar collar, substantially as shown and described.

DESCRIPTION

FIG. 1 is a front perspective view of a weight lifting bar collar showing our new design;
 FIG. 2 is a bottom perspective view thereof;
 FIG. 3 is a front elevational view thereof;
 FIG. 4 is a rear elevational view thereof;
 FIG. 5 is a right elevational view thereof;
 FIG. 6 is a left view thereof;
 FIG. 7 is a top view thereof; and,
 FIG. 8 is a bottom view thereof.
 The broken line showing of portions of the weight lifting bar collar form no part of the claim.

1 Claim, 4 Drawing Sheets



(56)

References Cited

U.S. PATENT DOCUMENTS

D414,405 S * 9/1999 Tompkins D8/396
 5,988,694 A * 11/1999 Brushaber F16L 23/06
 285/365
 D437,015 S * 1/2001 Rojas D21/679
 D438,783 S * 3/2001 Elliott F16L 23/10
 D8/396
 D464,094 S * 10/2002 Fond D21/680
 D516,417 S * 3/2006 Gimpel D8/396
 D518,791 S * 4/2006 Kiely D13/153
 D536,607 S * 2/2007 Bekkevold D8/396
 D537,334 S * 2/2007 Lee D8/396
 7,261,263 B2 * 8/2007 Baker A47F 5/04
 24/24
 D550,075 S * 9/2007 Tung D8/396
 D577,423 S * 9/2008 Dole D23/265
 D580,262 S * 11/2008 Eason F16B 7/0493
 D8/396
 D584,604 S 1/2009 Baldwin
 7,494,451 B1 * 2/2009 Ramos A63B 21/0728
 482/107
 7,513,856 B2 4/2009 Jones
 D597,635 S * 8/2009 Dole D23/262
 D598,076 S * 8/2009 Dole D23/262
 7,828,340 B2 * 11/2010 Heelan, Jr. F16L 21/065
 285/366
 D641,993 S * 7/2011 Scott D6/682
 8,006,711 B2 8/2011 Pietrzak
 D661,981 S * 6/2012 Melino, Sr. D8/396
 8,201,852 B2 * 6/2012 Linhorst F16L 25/12
 285/365
 D672,229 S * 12/2012 Reid D8/396
 8,397,421 B2 * 3/2013 Ding F41G 11/003
 42/124
 D682,662 S * 5/2013 Bailey D8/354
 D694,841 S * 12/2013 Ciminski D21/681
 D700,835 S 3/2014 Langlois et al.
 D703,033 S * 4/2014 Karlsson D8/396
 8,776,810 B2 * 7/2014 Lah A45B 9/00
 135/75
 D711,730 S * 8/2014 McKiernan D8/396

D712,730 S * 9/2014 Gridley D8/396
 8,827,878 B1 * 9/2014 Ciminski A63B 21/0728
 482/107
 D735,025 S * 7/2015 Mathien D8/396
 D736,884 S * 8/2015 Lovley, II D21/839
 9,109,616 B1 * 8/2015 Ballentine F16B 7/1454
 9,212,777 B2 * 12/2015 Shi F16M 13/022
 9,297,477 B2 * 3/2016 Yoder F16K 35/10
 D764,608 S 8/2016 Jones
 D766,384 S 9/2016 Jones
 D780,859 S * 3/2017 Ramsey D21/694
 D780,860 S 3/2017 Jones
 D780,861 S 3/2017 Jones
 D789,779 S * 6/2017 Asai B60R 16/0215
 D8/396
 D794,439 S * 8/2017 Papafagos D8/396
 D794,440 S * 8/2017 Papafagos D8/396
 9,764,183 B2 9/2017 Roepke
 D798,699 S * 10/2017 Roiser D8/396
 9,839,806 B2 * 12/2017 Slaughter A63B 21/0728
 9,855,458 B2 * 1/2018 Stilson A63B 21/0728
 D836,184 S * 12/2018 Lippka D23/262
 D836,185 S * 12/2018 Lippka D23/262
 D839,398 S * 1/2019 Lippka D23/262
 D839,399 S * 1/2019 Lippka D23/262
 D846,712 S * 4/2019 Bancroft D23/262
 D846,713 S * 4/2019 Bancroft D23/262
 D850,899 S * 6/2019 Gridley D8/396
 D850,900 S * 6/2019 Yesavage D8/396
 D855,920 S * 8/2019 Schenone D34/12
 2002/0030146 A1 * 3/2002 Akaike F16M 11/32
 248/157
 2007/0138351 A1 * 6/2007 Wu F16L 23/06
 248/74.2
 2008/0265568 A1 * 10/2008 Bekkevold F16L 23/08
 285/148.6
 2008/0287271 A1 * 11/2008 Jones A63B 21/0728
 482/107
 2011/0162173 A1 * 7/2011 Ciminski A63B 21/0728
 24/303
 2012/0324682 A1 * 12/2012 Ballentine F16B 7/1454
 24/535

* cited by examiner

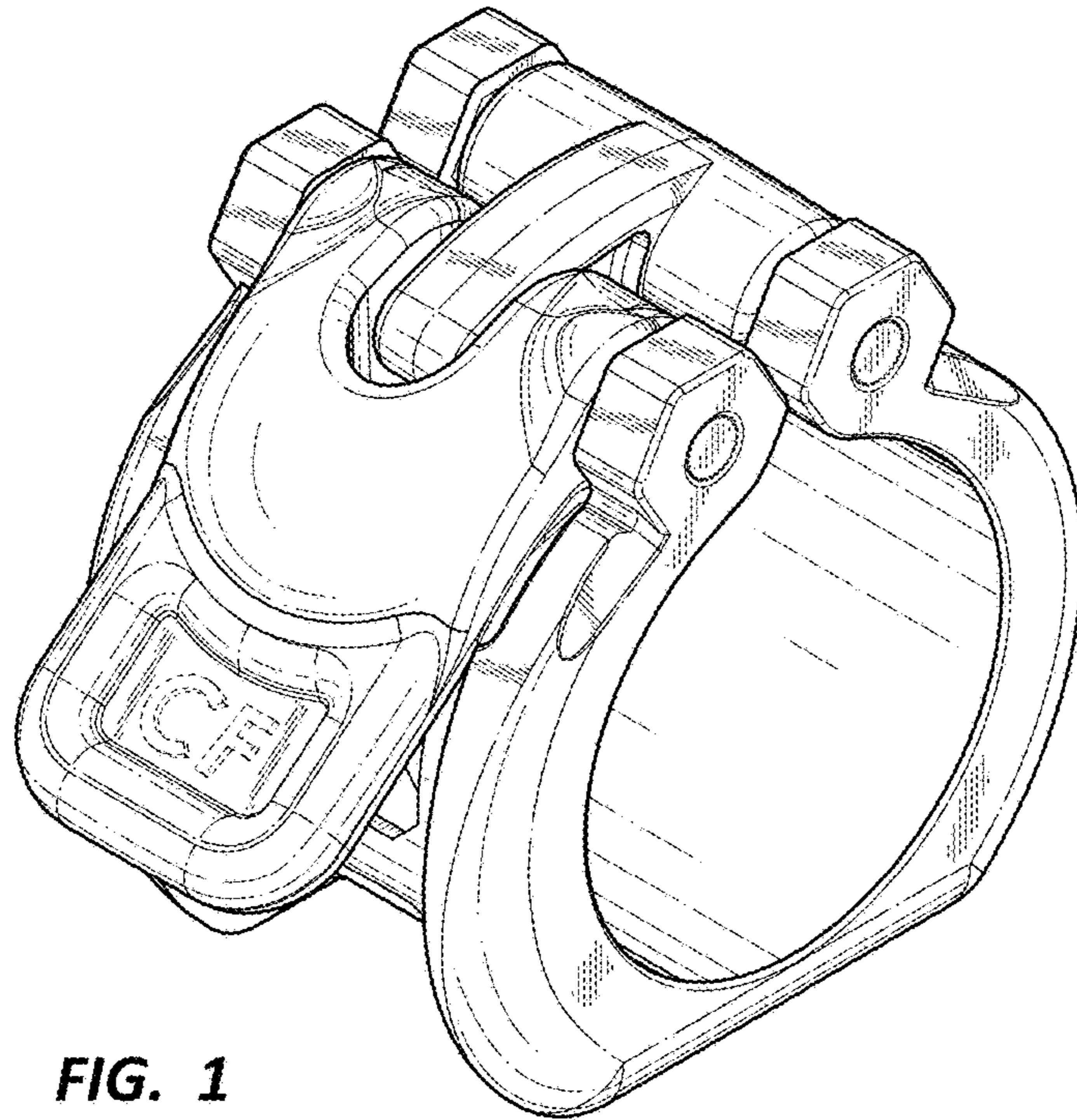


FIG. 1

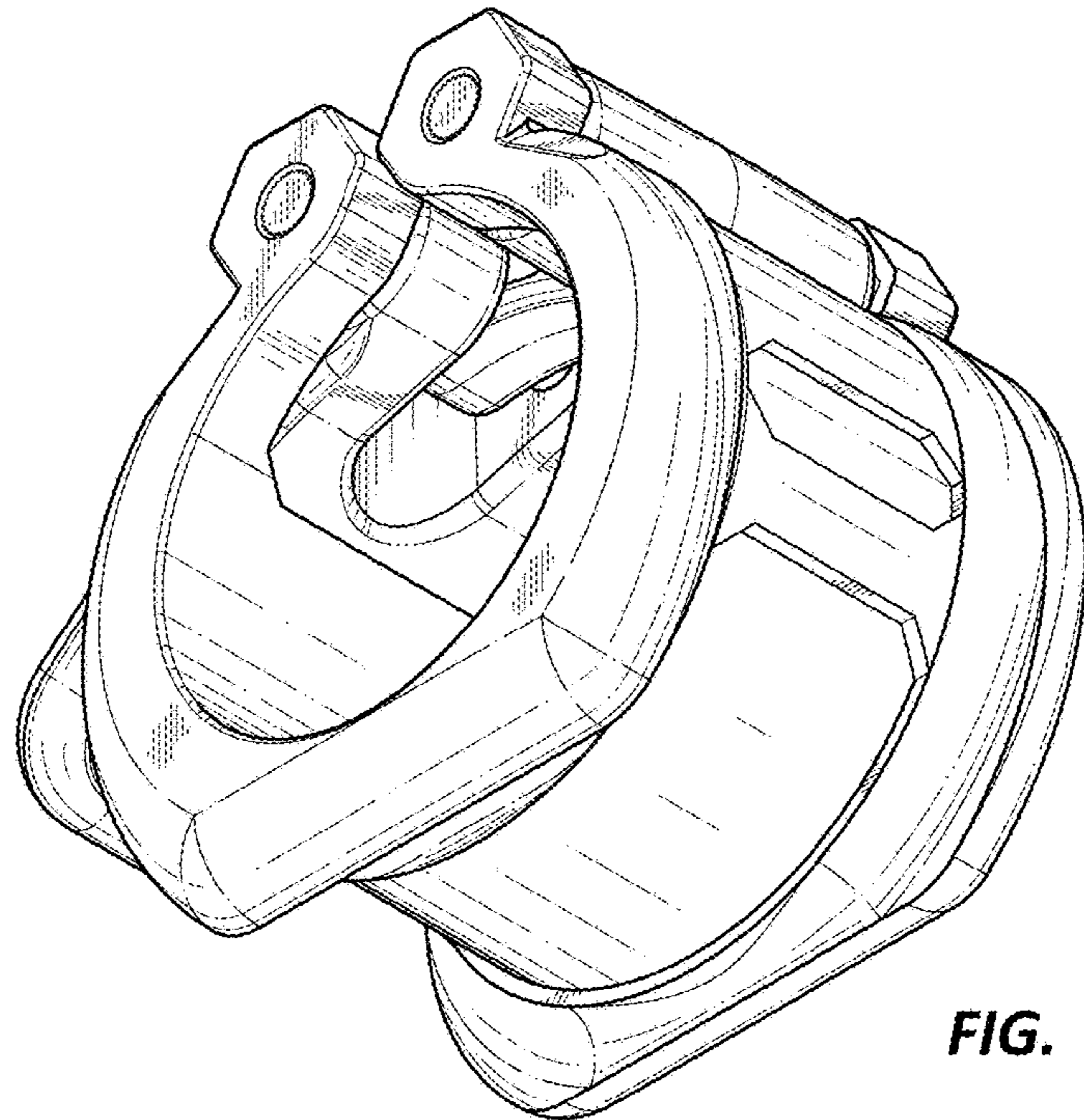


FIG. 2

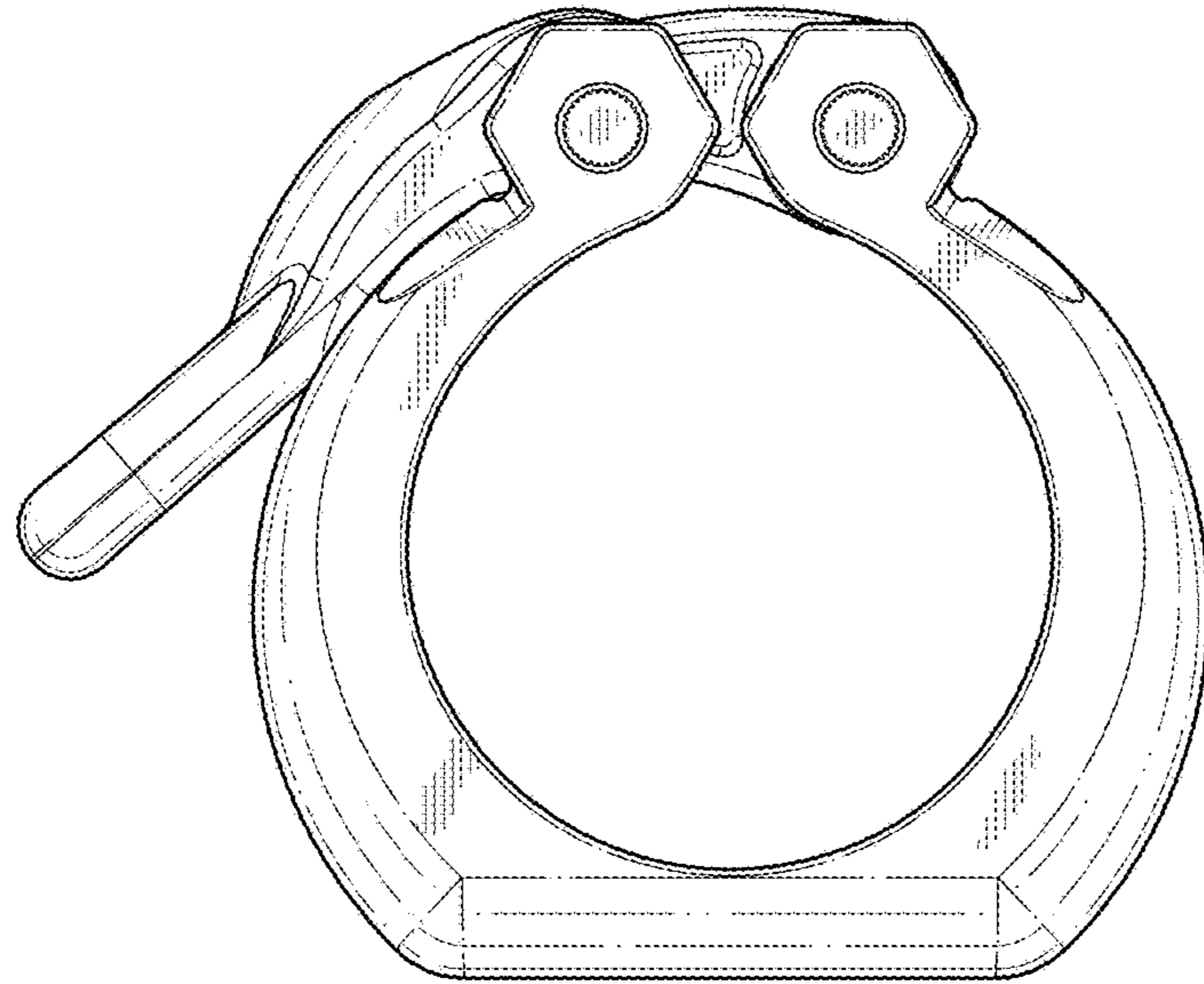


FIG. 3

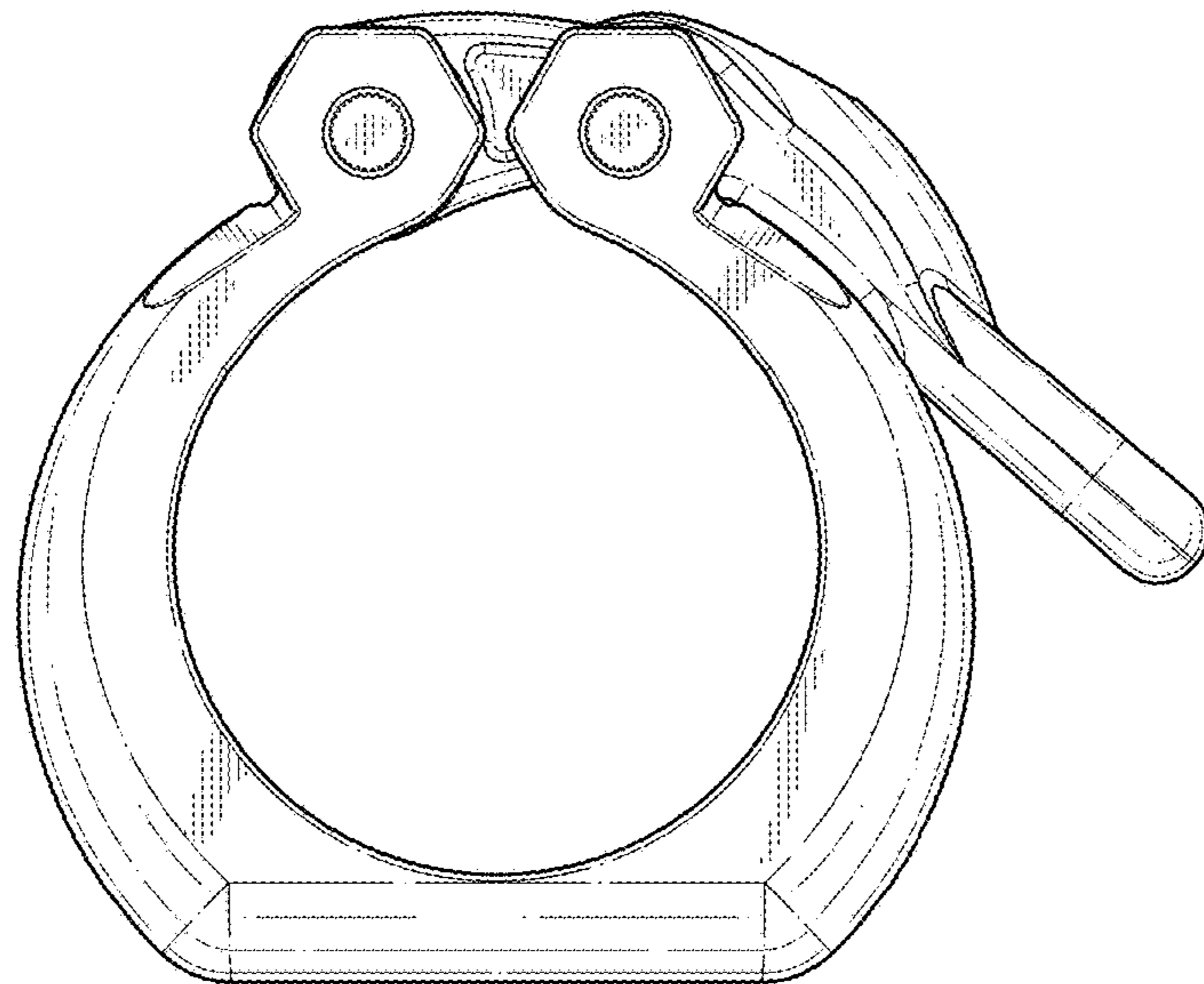


FIG. 4

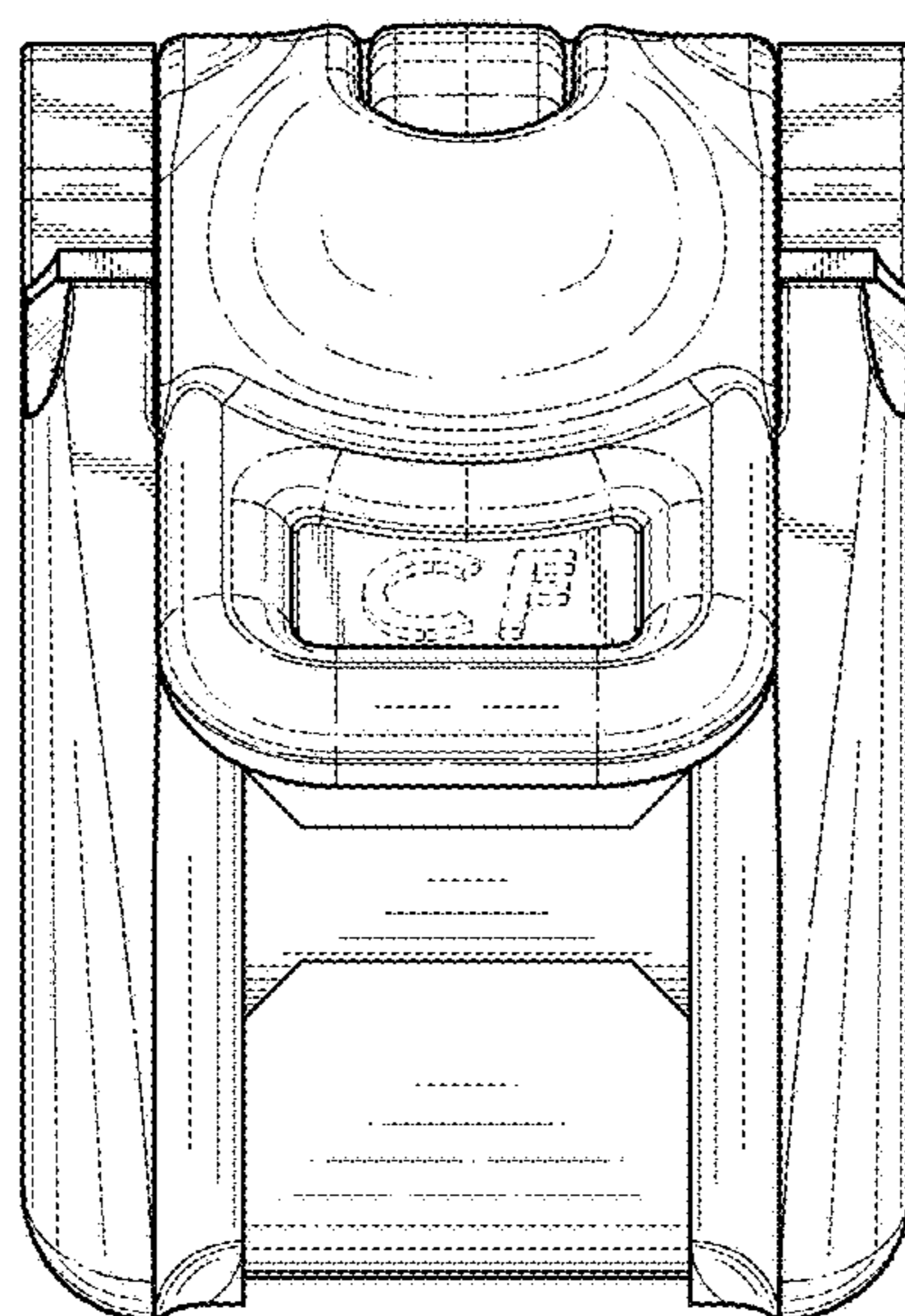


FIG. 5

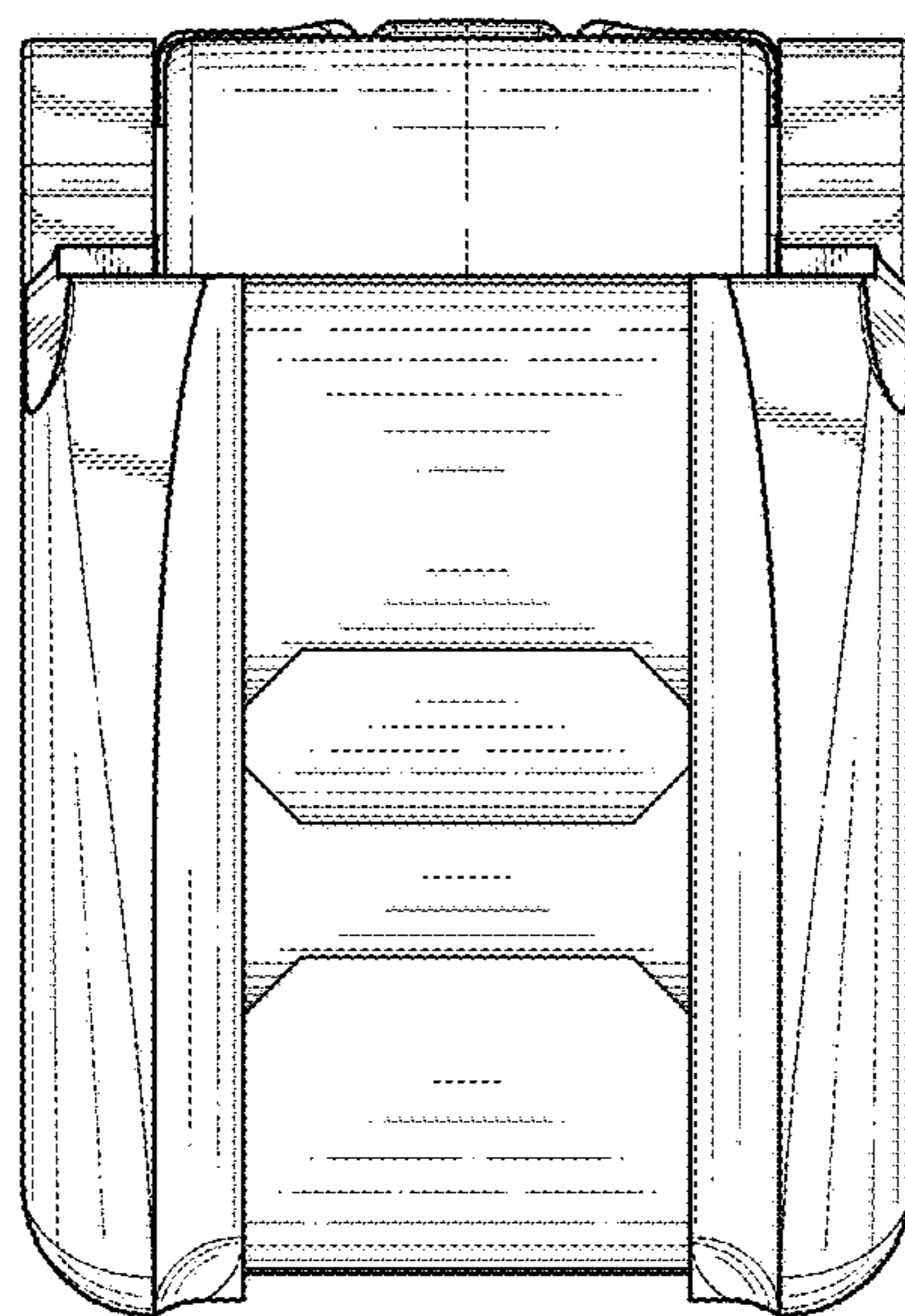


FIG. 6

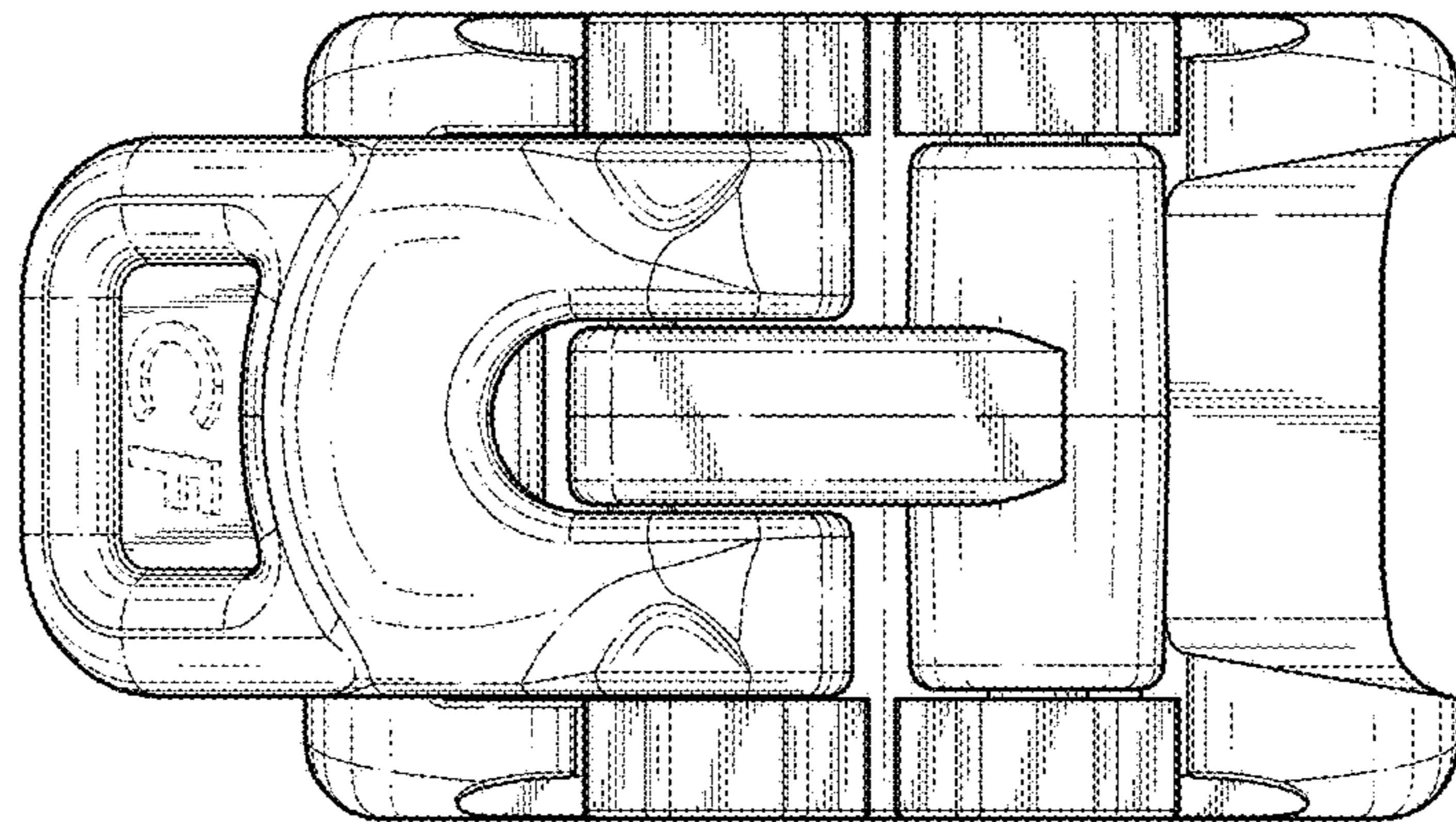


FIG. 7

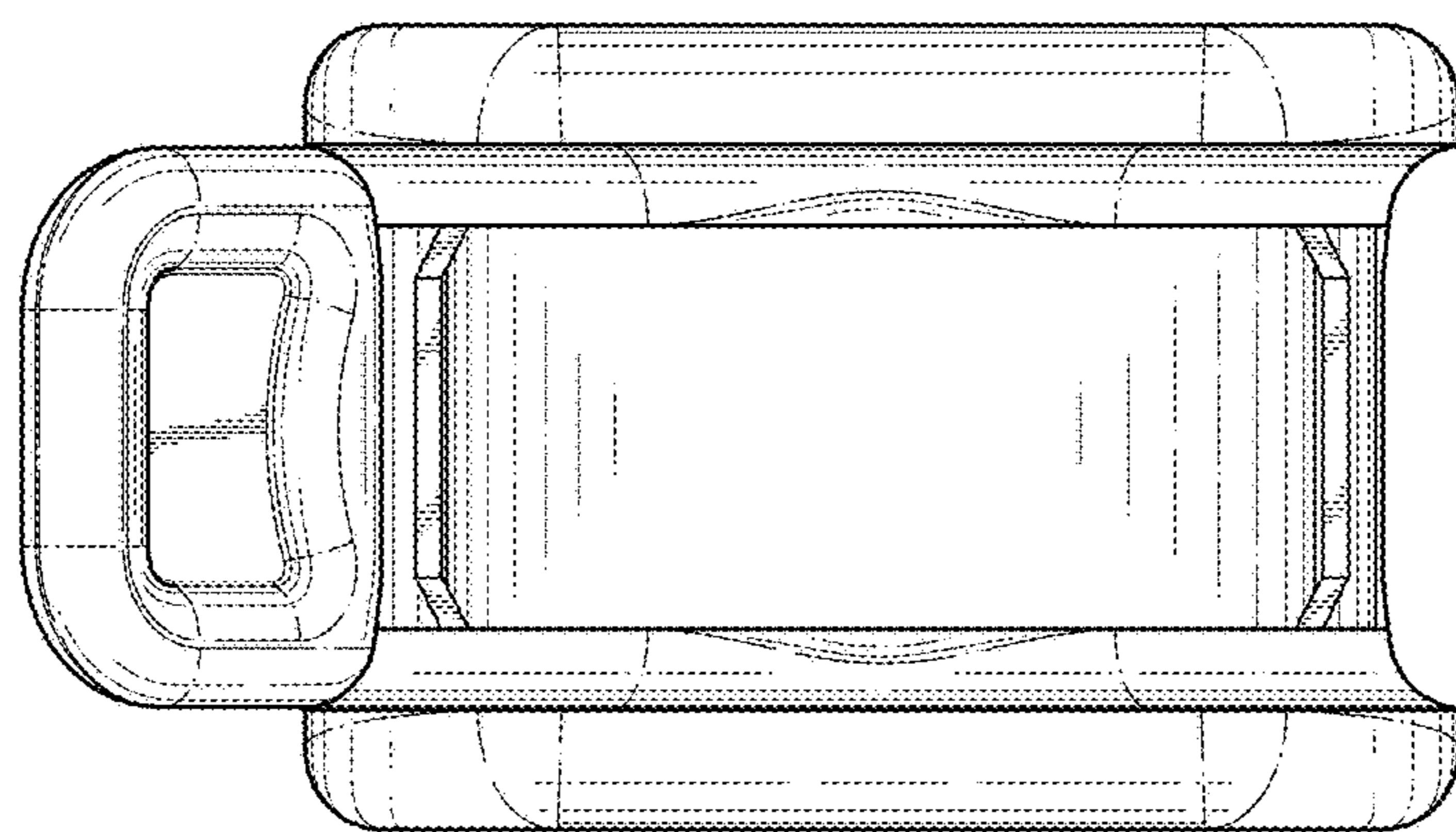


FIG. 8