



US00D865880S

(12) **United States Design Patent**
Laurence et al.

(10) **Patent No.:** **US D865,880 S**

(45) **Date of Patent:** **** Nov. 5, 2019**

(54) **EXERCISE DEVICE**

(71) Applicant: **Y Bell Group Pty Ltd**, Chatswood,
New South Wales (AU)

(72) Inventors: **Aaron Laurence**, Chatswood (AU);
Michael Hoppe, Chatswood (AU)

(73) Assignee: **Y BELL GROUP PTY LTD**,
Chatswood (AU)

(**) Term: **15 Years**

(21) Appl. No.: **29/636,799**

(22) Filed: **Feb. 12, 2018**

(30) **Foreign Application Priority Data**

Aug. 17, 2017 (AU) 201714860

(51) **LOC (12) Cl.** **21-02**

(52) **U.S. Cl.**
USPC **D21/681**

(58) **Field of Classification Search**
USPC D21/364, 400, 505, 662, 678, 679, 680,
D21/681, 683, 694; D30/160
CPC A63B 21/072; A63B 21/0726
See application file for complete search history.

(56) **References Cited**

U.S. PATENT DOCUMENTS

D242,865 S *	12/1976	Stamm	D21/682
D274,283 S *	6/1984	Wright	482/108
D321,230 S *	10/1991	Leonesio	D21/682
D344,113 S *	2/1994	Shelton	D21/678
5,447,308 A *	9/1995	Girard	F41B 15/00 463/47.2
D575,361 S *	8/2008	Davis	D21/682
D740,894 S *	10/2015	Slowey	D21/680
D740,895 S *	10/2015	Slowey	D21/680
D746,002 S *	12/2015	Crane	D30/160

D762,788 S *	8/2016	Slowey	D21/680
D779,599 S *	2/2017	Jung	D21/681
D788,862 S *	6/2017	Dierickx	D21/681
D798,969 S *	10/2017	Lozito	D21/682
D799,610 S *	10/2017	Ho	D21/681
D805,140 S *	12/2017	Hodes	D21/681
2003/0060346 A1 *	3/2003	Wu	A63B 21/06 482/108
2003/0134727 A1 *	7/2003	Yu	A63B 21/0004 482/110
2004/0259691 A1 *	12/2004	Stout	A63B 21/0084 482/47
2010/0022365 A1 *	1/2010	Ngu	A63B 21/075 482/108
2010/0069206 A1 *	3/2010	Viselman	A63B 21/072 482/106
2011/0263393 A1 *	10/2011	Ross	A63B 21/072 482/93

(Continued)

Primary Examiner — Ian Simmons

Assistant Examiner — Keith Frank

(74) *Attorney, Agent, or Firm* — Nixon & Vanderhye P.C.

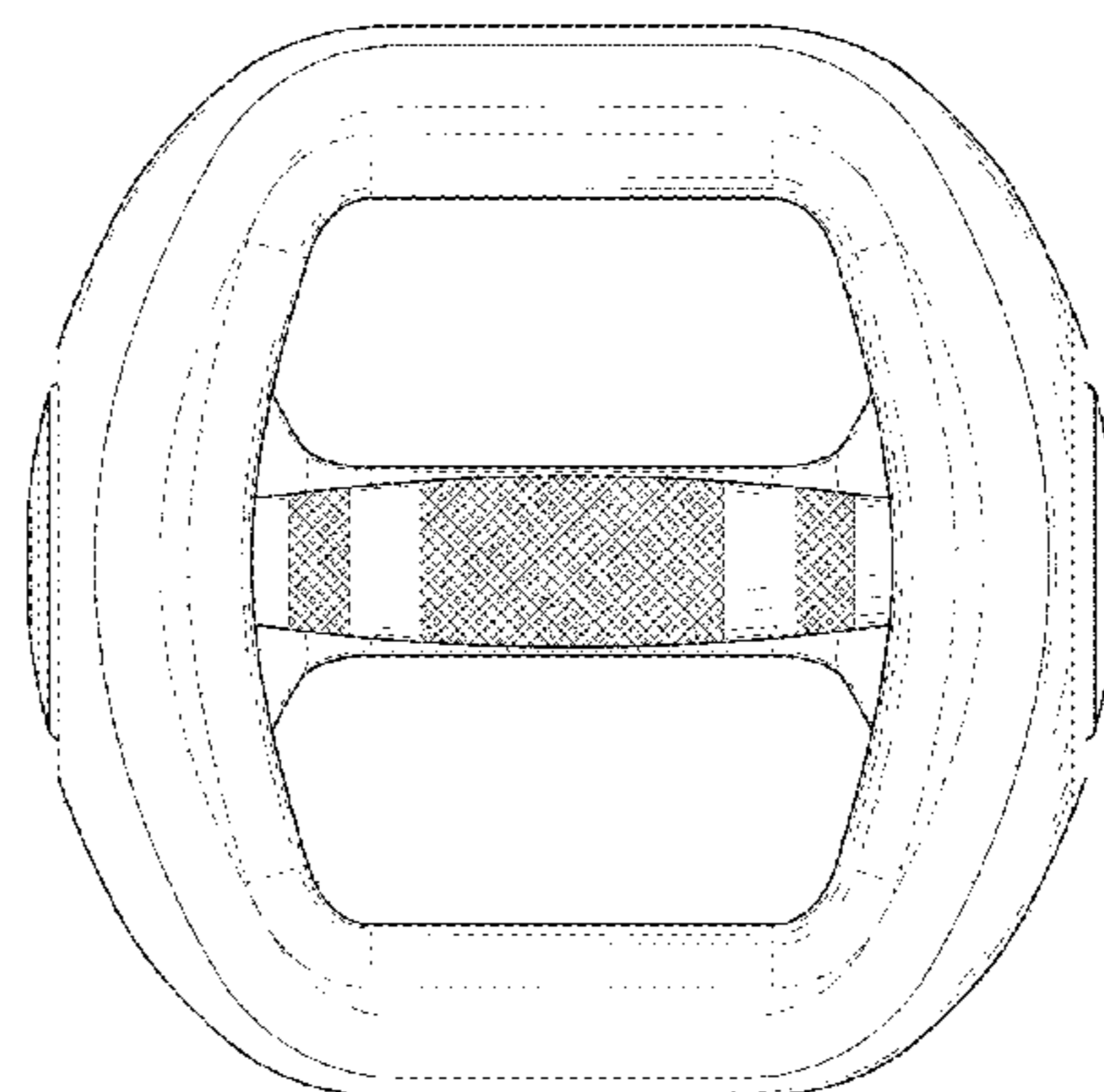
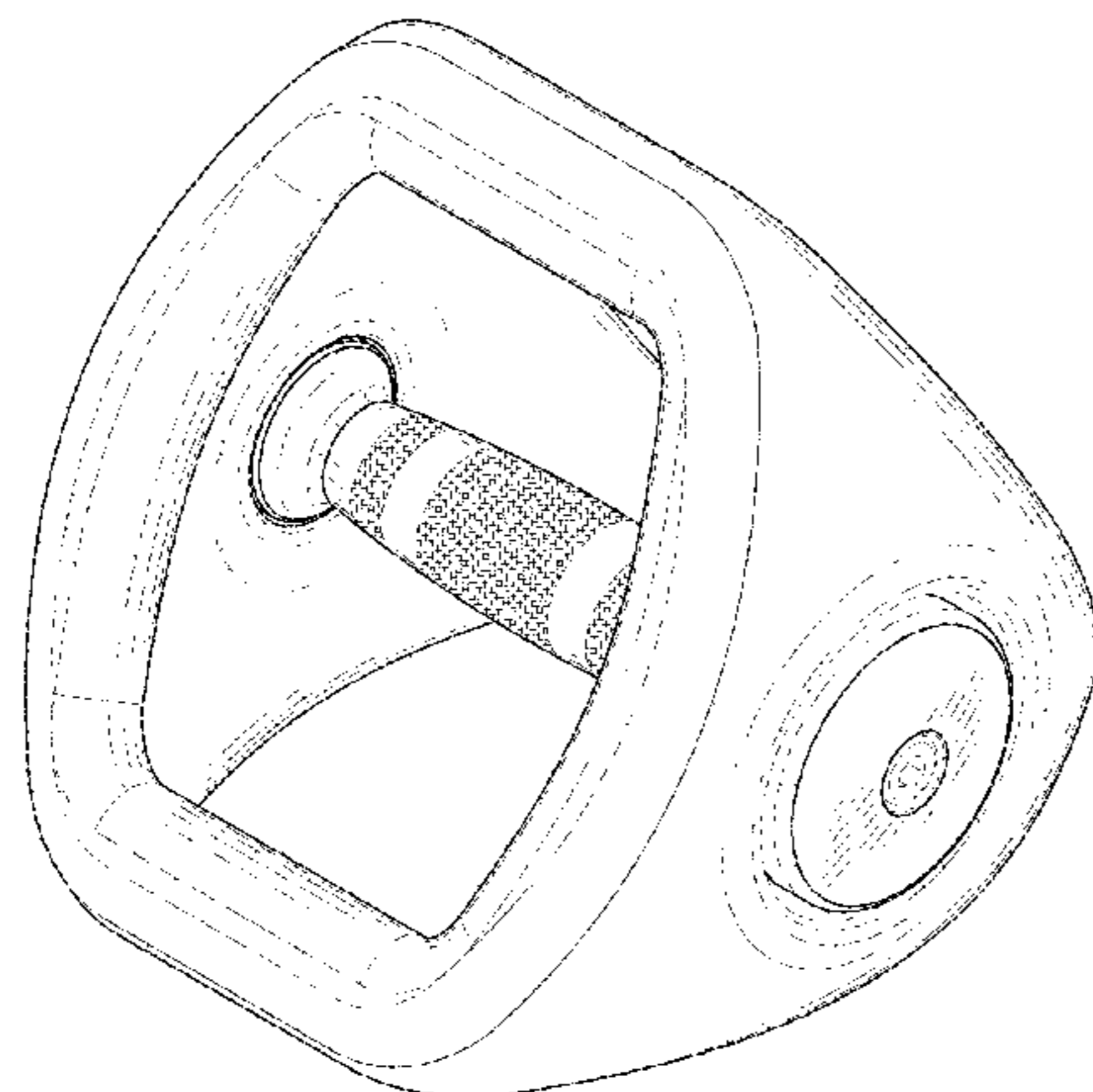
(57) **CLAIM**

The ornamental design for an exercise device, as shown and described.

DESCRIPTION

FIG. 1 is a perspective view of an exercise device according to our new ornamental design;
FIG. 2 is a left side view thereof;
FIG. 3 is a right side view thereof;
FIG. 4 is a front view thereof;
FIG. 5 is a rear view thereof;
FIG. 6 is a top view thereof; and,
FIG. 7 is a bottom view thereof.
The broken lines in the drawings showing the exercise device illustrate the portions of the exercise device that form no part of the claimed design.

1 Claim, 7 Drawing Sheets



(56)

References Cited

U.S. PATENT DOCUMENTS

2013/0137555 A1* 5/2013 Hodes A63B 21/0726
482/106
2014/0249001 A1* 9/2014 Malvezzi A63B 21/072
482/93
2014/0274597 A1* 9/2014 Towley A63B 21/075
482/108
2015/0360074 A1* 12/2015 Jung A63B 21/0726
482/108

* cited by examiner

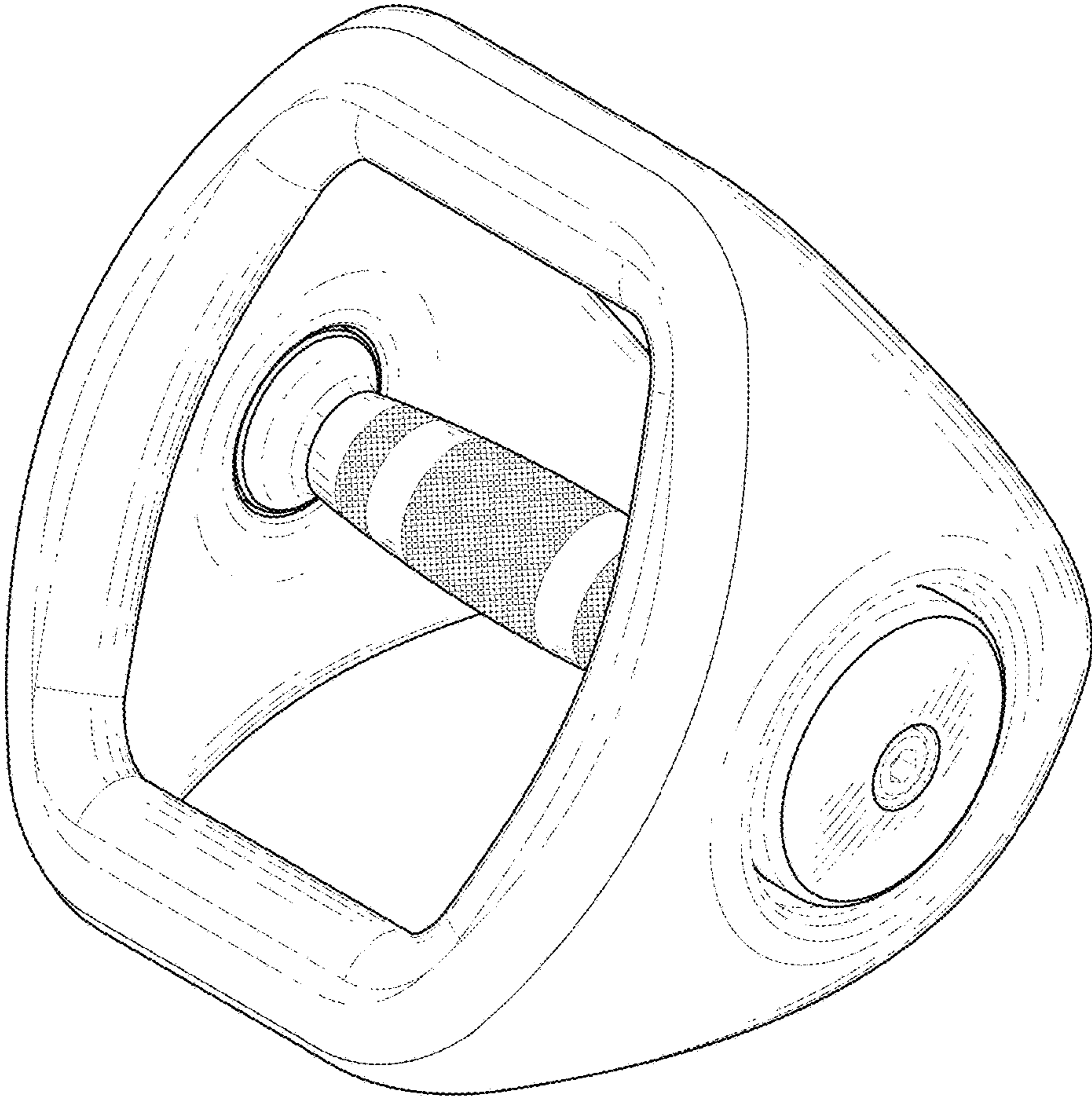


FIG. 1

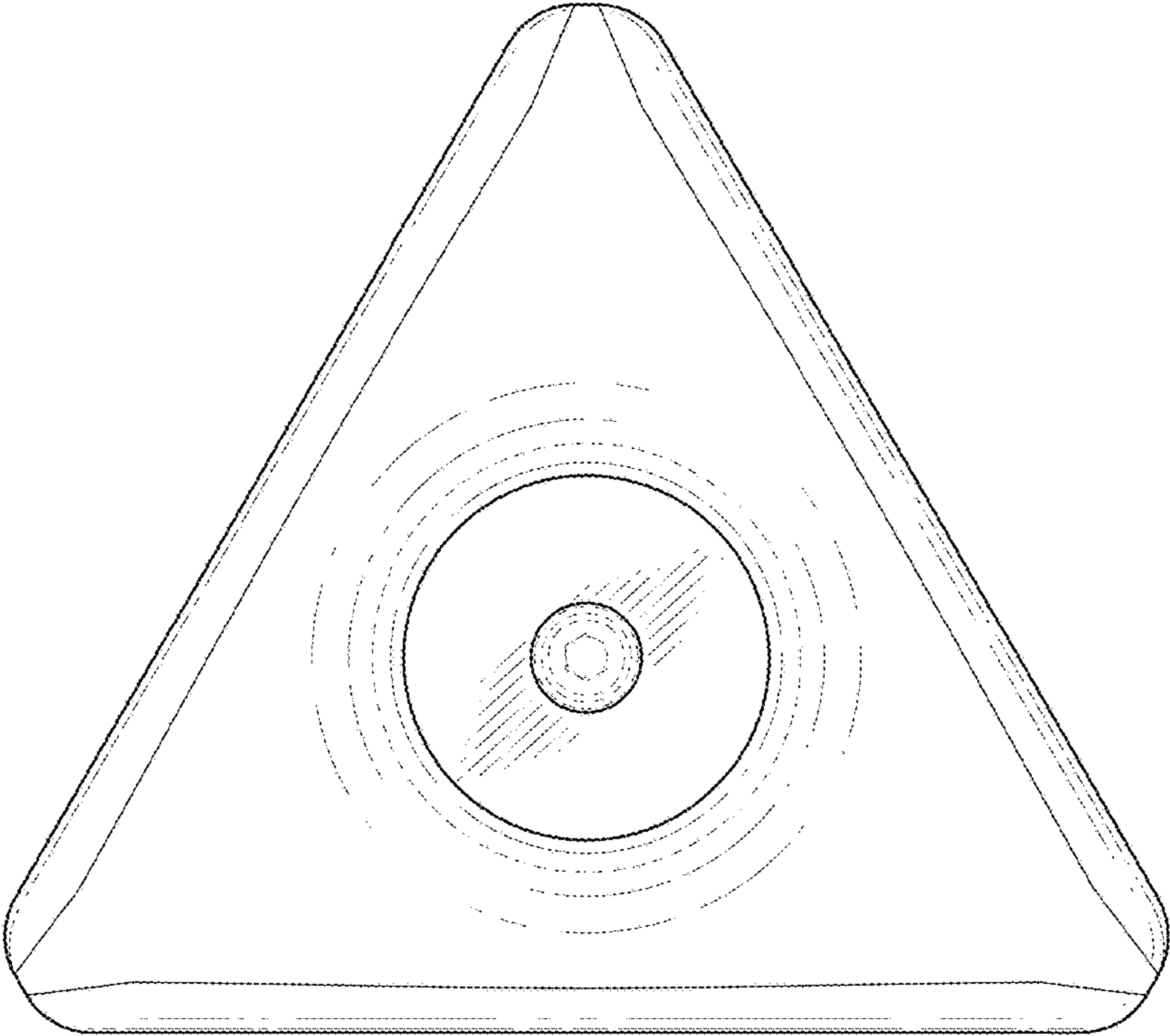


FIG. 2

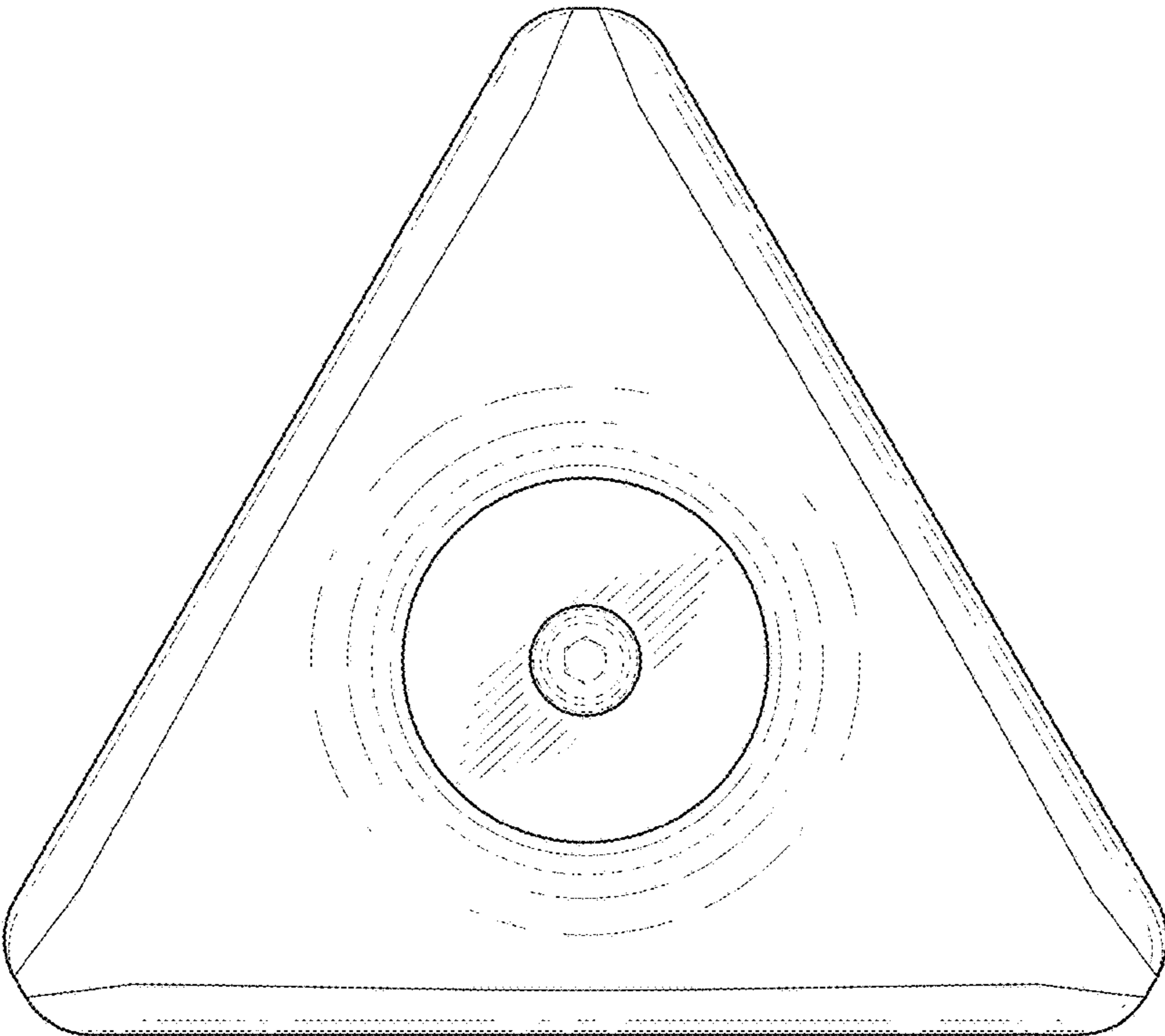


FIG. 3

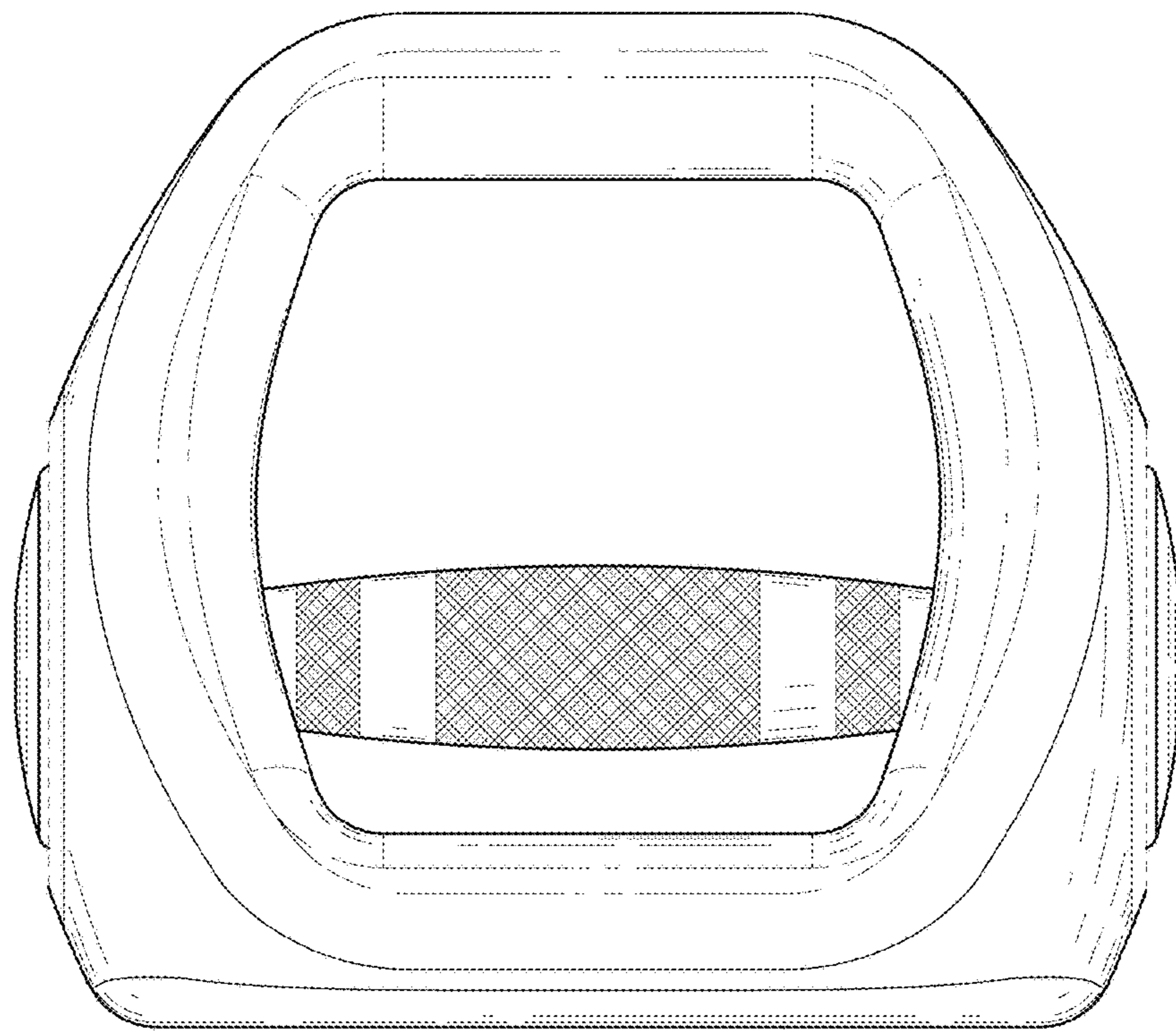


FIG. 4

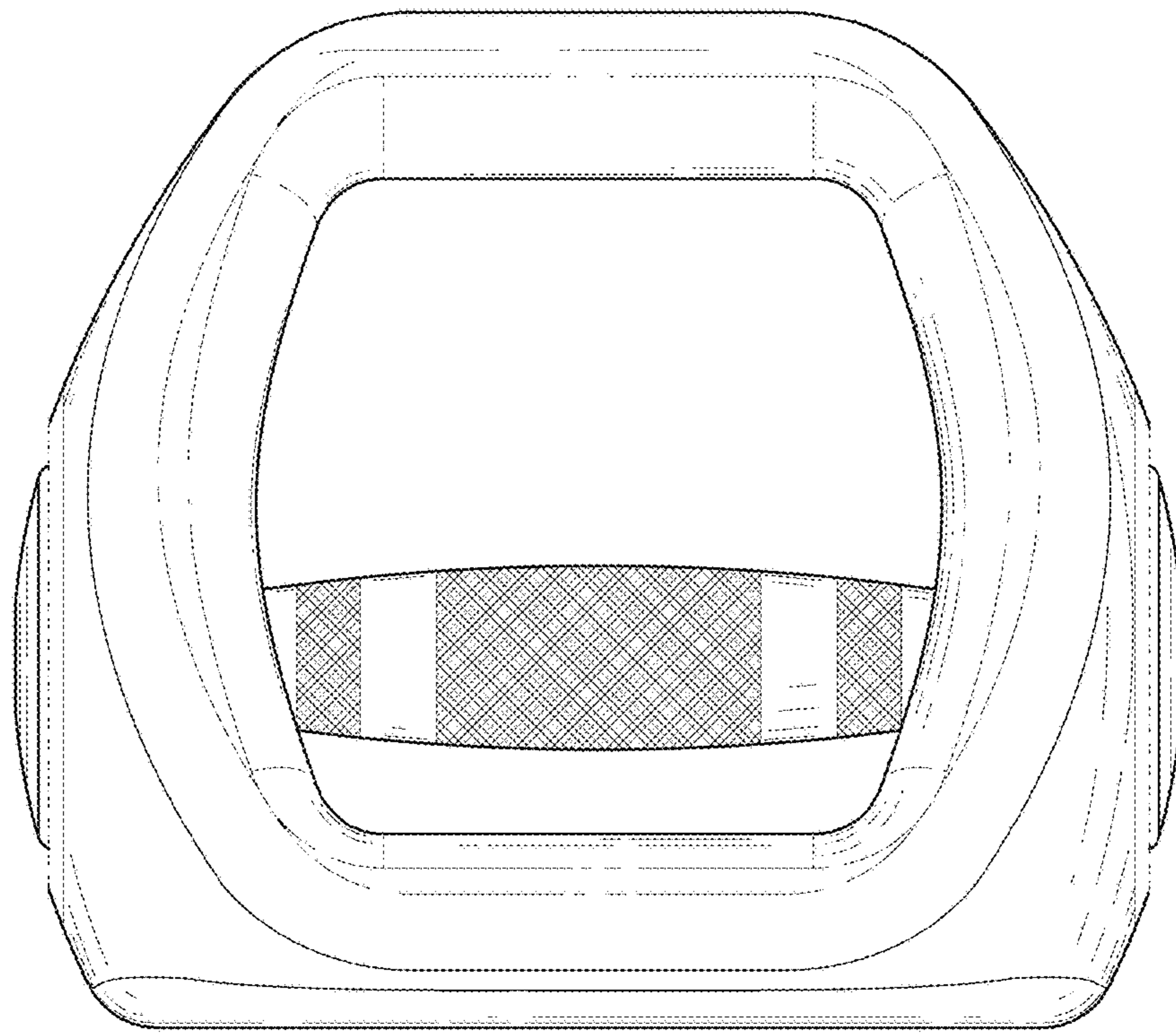


FIG. 5

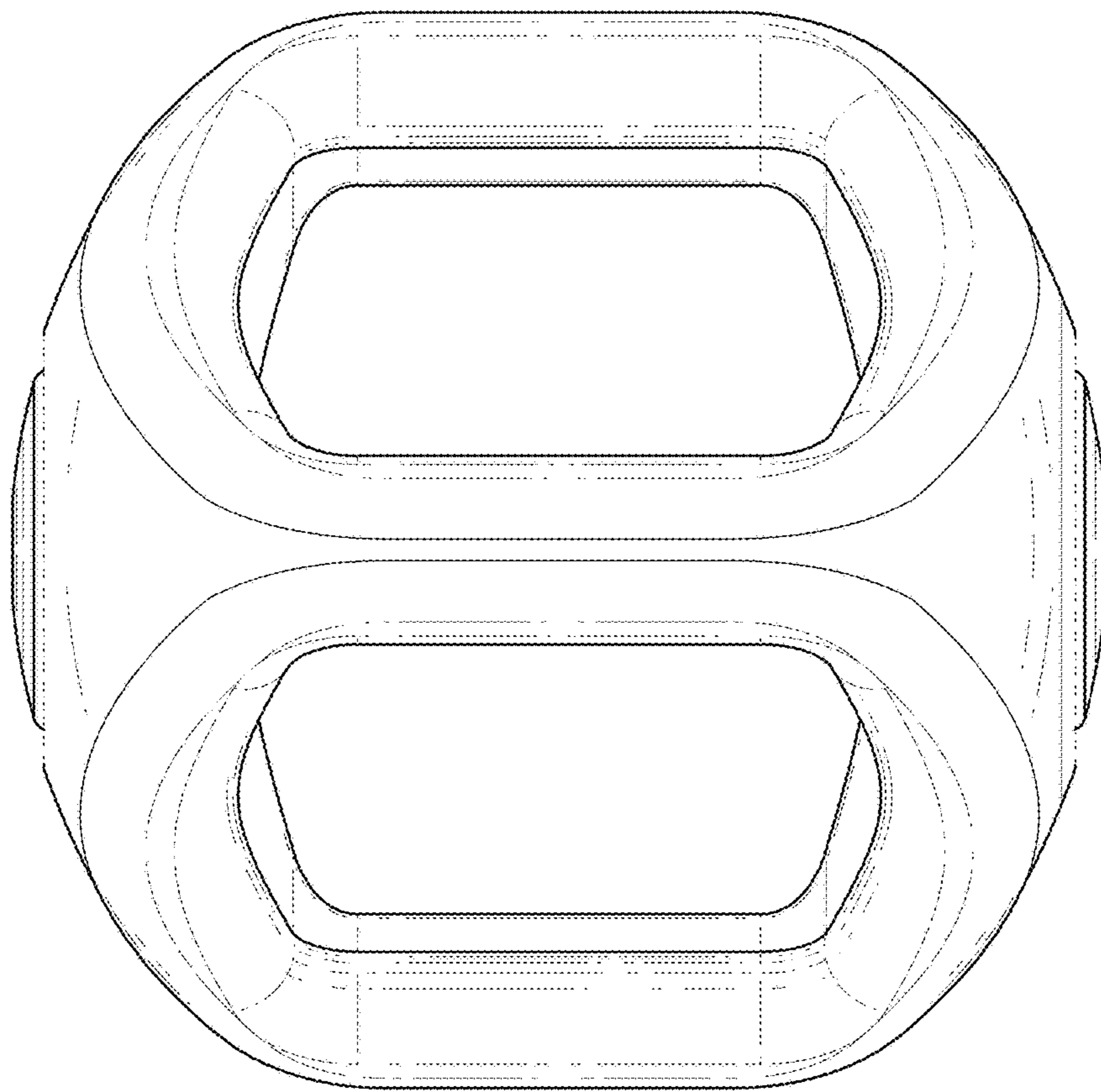


FIG. 6

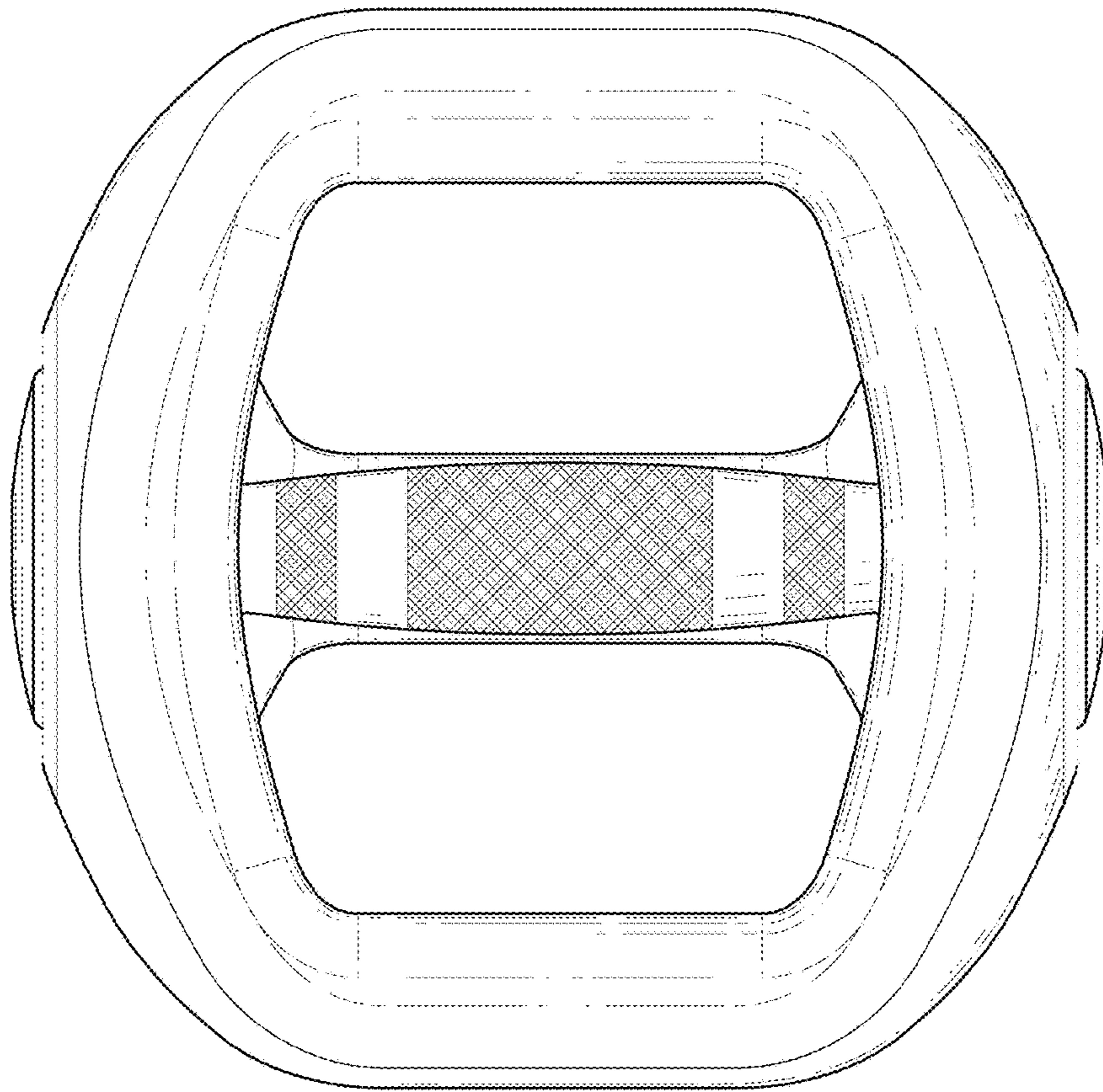


FIG. 7