



US00D865878S

(12) **United States Design Patent**
Farinatti

(10) **Patent No.:** **US D865,878 S**

(45) **Date of Patent:** **** Nov. 5, 2019**

- (54) **FITNESS EQUIPMENT**
- (71) Applicant: **NORD GROUP S.P.A.**, Reana del
Rojale (IT)
- (72) Inventor: **Massimo Farinatti**, Paderno d'Adda
(IT)
- (73) Assignee: **NORD GROUP S.P.A.**, Reana del
Rojale (IT)
- (**) Term: **15 Years**
- (21) Appl. No.: **29/592,076**
- (22) Filed: **Jan. 26, 2017**
- (30) **Foreign Application Priority Data**
Jul. 27, 2016 (EM) 003321421
- (51) **LOC (12) Cl.** **21-02**
- (52) **U.S. Cl.**
USPC **D21/676**
- (58) **Field of Classification Search**
USPC D21/676, 674, 695, 666, 694, 686, 690,
D21/688, 662, 675; 482/72, 100, 121,
482/70, 73, 96, 71, 9, 5, 142, 112, 130,
482/140, 131, 57, 95, 53, 98, 138, 60,
482/114, 104, 137, 51, 136, 97
CPC A63B 22/0076; A63B 21/4047; A63B
21/4035; A63B 2208/0233; A63B
21/4029; A63B 23/1209; A63B 21/078;
A63B 2022/0084; A63B 2022/0079
See application file for complete search history.

- 5,135,449 A * 8/1992 Jones A63B 21/0615
482/134
- 5,304,107 A * 4/1994 Jones A63B 23/0211
482/100
- 5,616,105 A * 4/1997 Wang A63B 22/0076
482/72
- 5,620,402 A * 4/1997 Simonson A63B 23/1254
482/100
- 5,810,701 A * 9/1998 Ellis A63B 23/12
482/136
- D439,939 S * 4/2001 Batca D21/675
- 6,830,542 B2 * 12/2004 Ball A63B 21/154
482/100
- 7,766,802 B2 * 8/2010 Webber A63B 21/159
482/100
- 7,901,335 B2 * 3/2011 Webber A63B 21/0615
482/140
- 7,981,010 B1 * 7/2011 Webber A63B 21/0615
482/100
- 8,568,279 B2 * 10/2013 Golesh A63B 21/0728
482/104
- 8,944,969 B2 * 2/2015 Giannelli A63B 23/12
482/51
- D743,495 S * 11/2015 Ho D21/688

* cited by examiner

Primary Examiner — Ryan Harvey
(74) *Attorney, Agent, or Firm* — Cantor Colburn LLP

(57) **CLAIM**

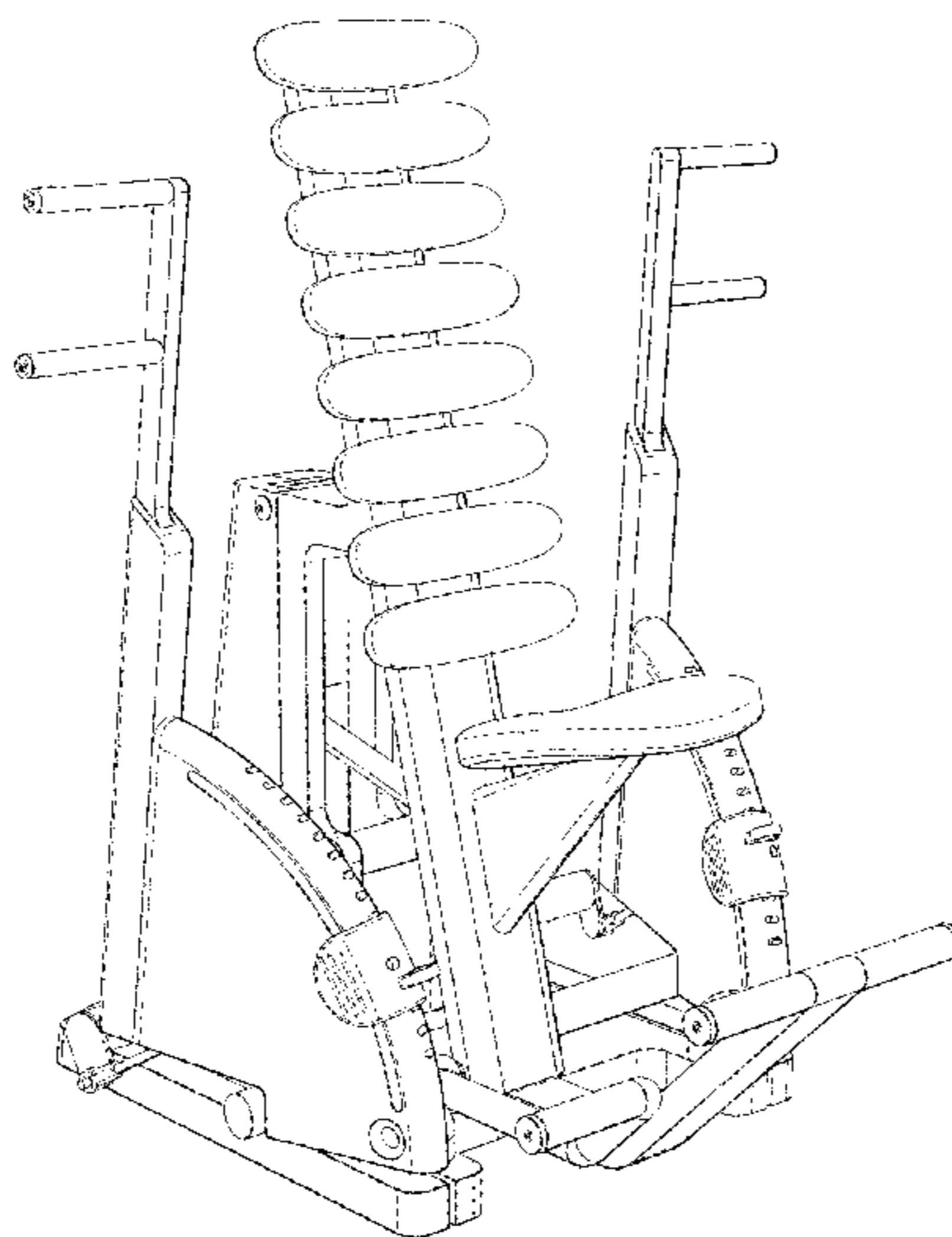
I claim, the ornamental design for a fitness equipment, as shown and described.

DESCRIPTION

FIG. 1 is a perspective view of a fitness equipment, showing my new design;
FIG. 2 is a front elevation view thereof;
FIG. 3 is a rear elevation view thereof;
FIG. 4 is a left side elevation view thereof;
FIG. 5 is a right side elevation view thereof;
FIG. 6 is a top plan view thereof; and,
FIG. 7 is a bottom plan view thereof.

1 Claim, 7 Drawing Sheets

- (56) **References Cited**
U.S. PATENT DOCUMENTS
4,336,934 A * 6/1982 Hanagan A63B 21/0615
482/73
D321,026 S * 10/1991 Jones D21/676



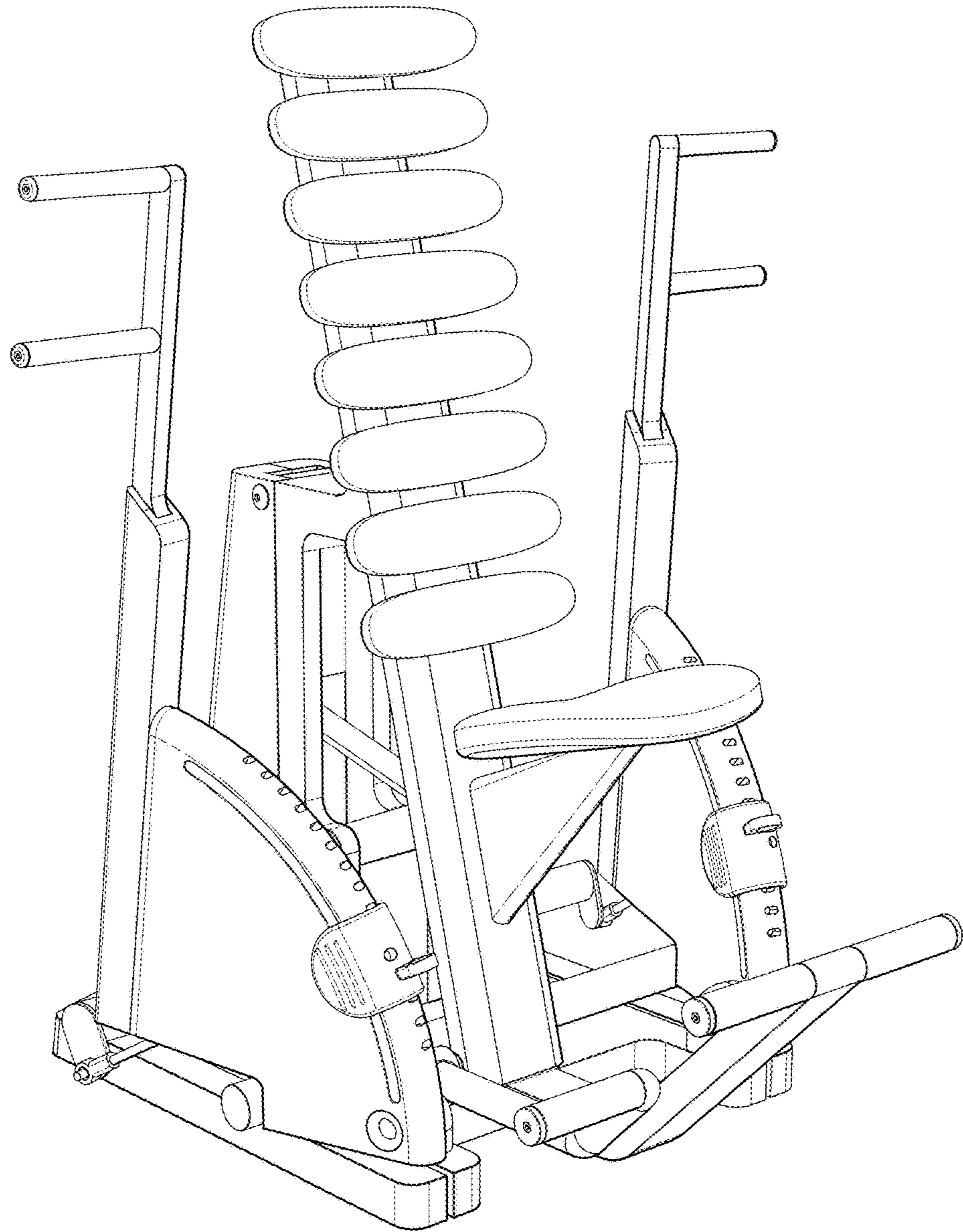


Fig. 1

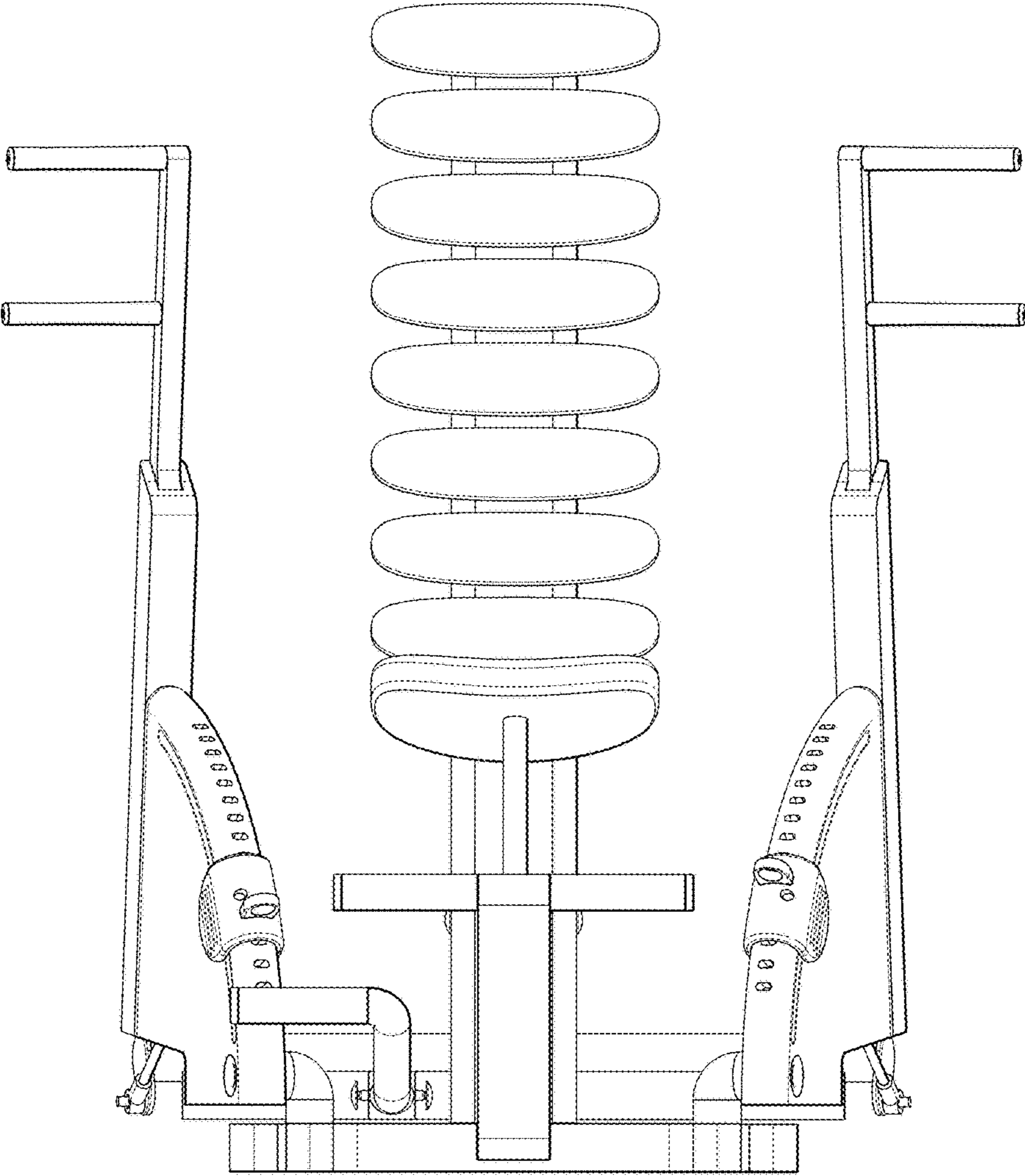


Fig. 2

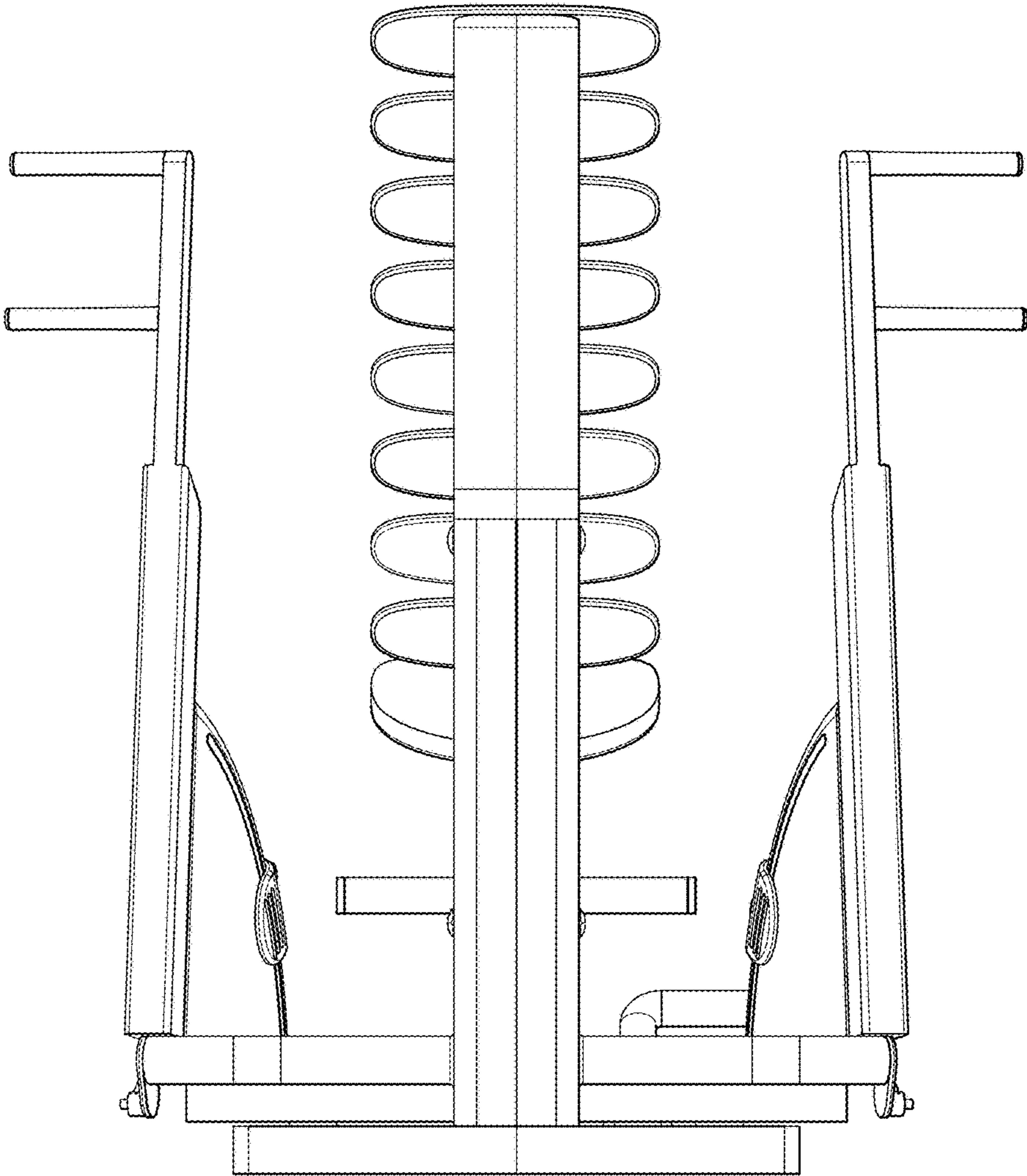


Fig. 3

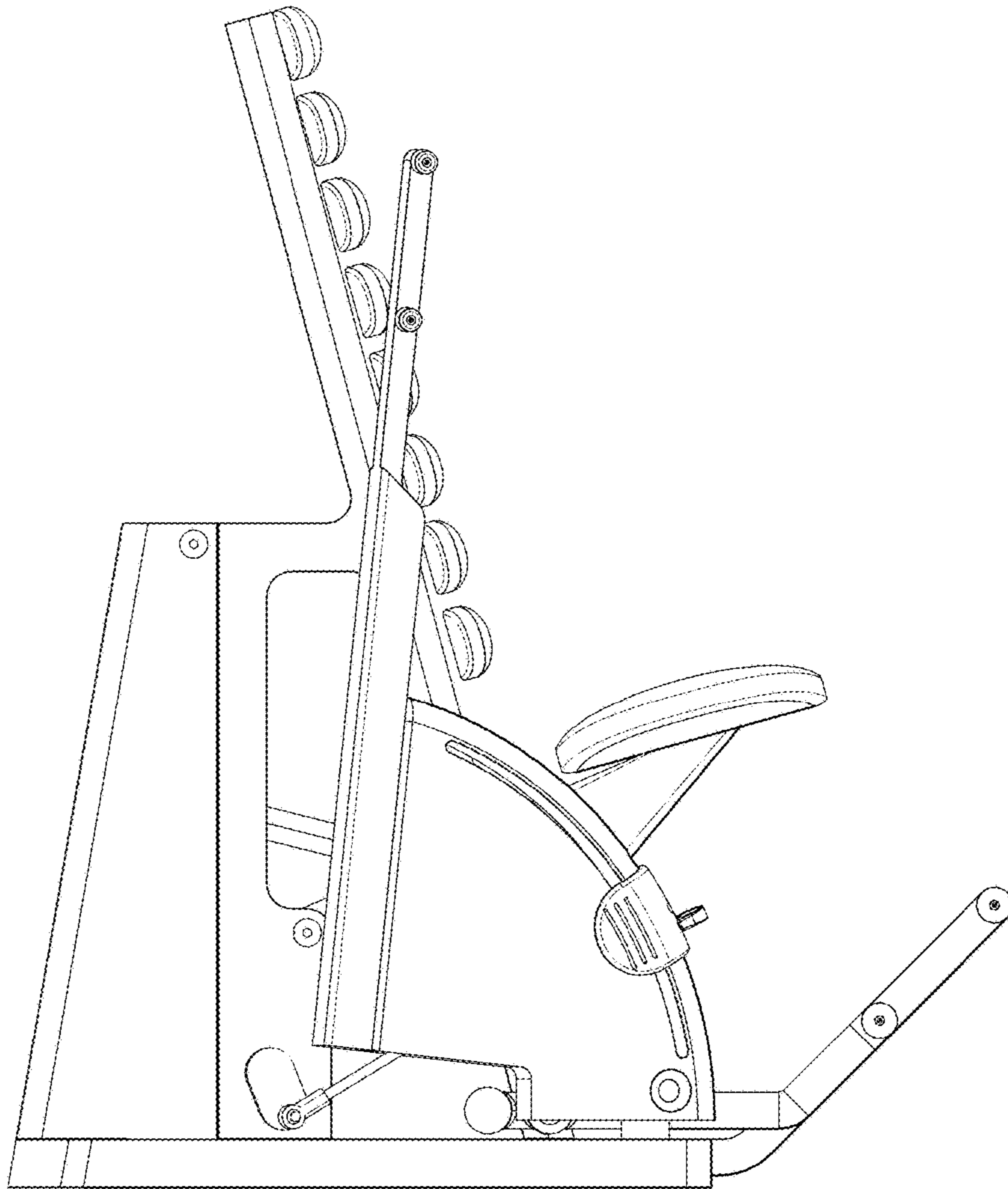


Fig. 4

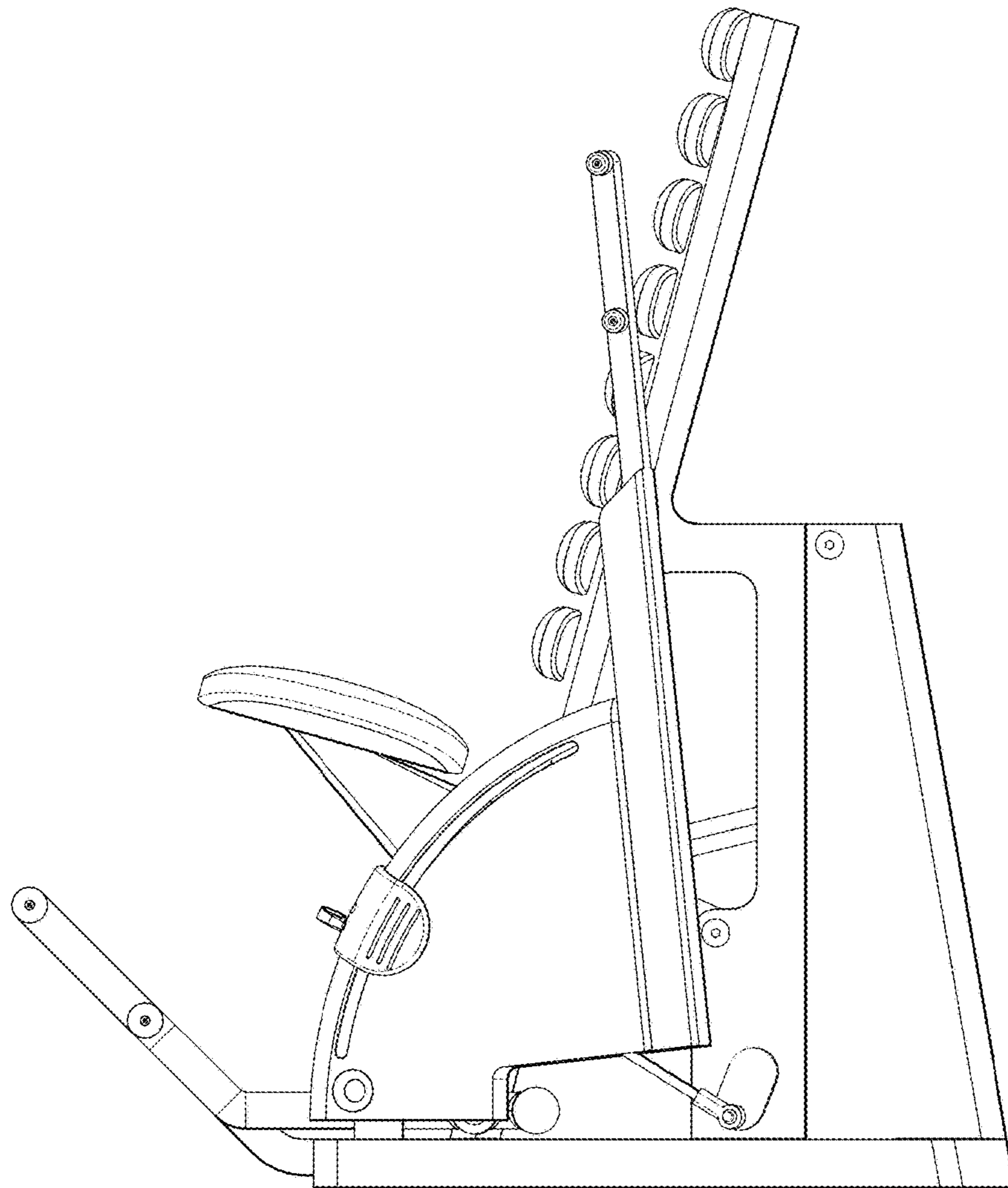


Fig. 5

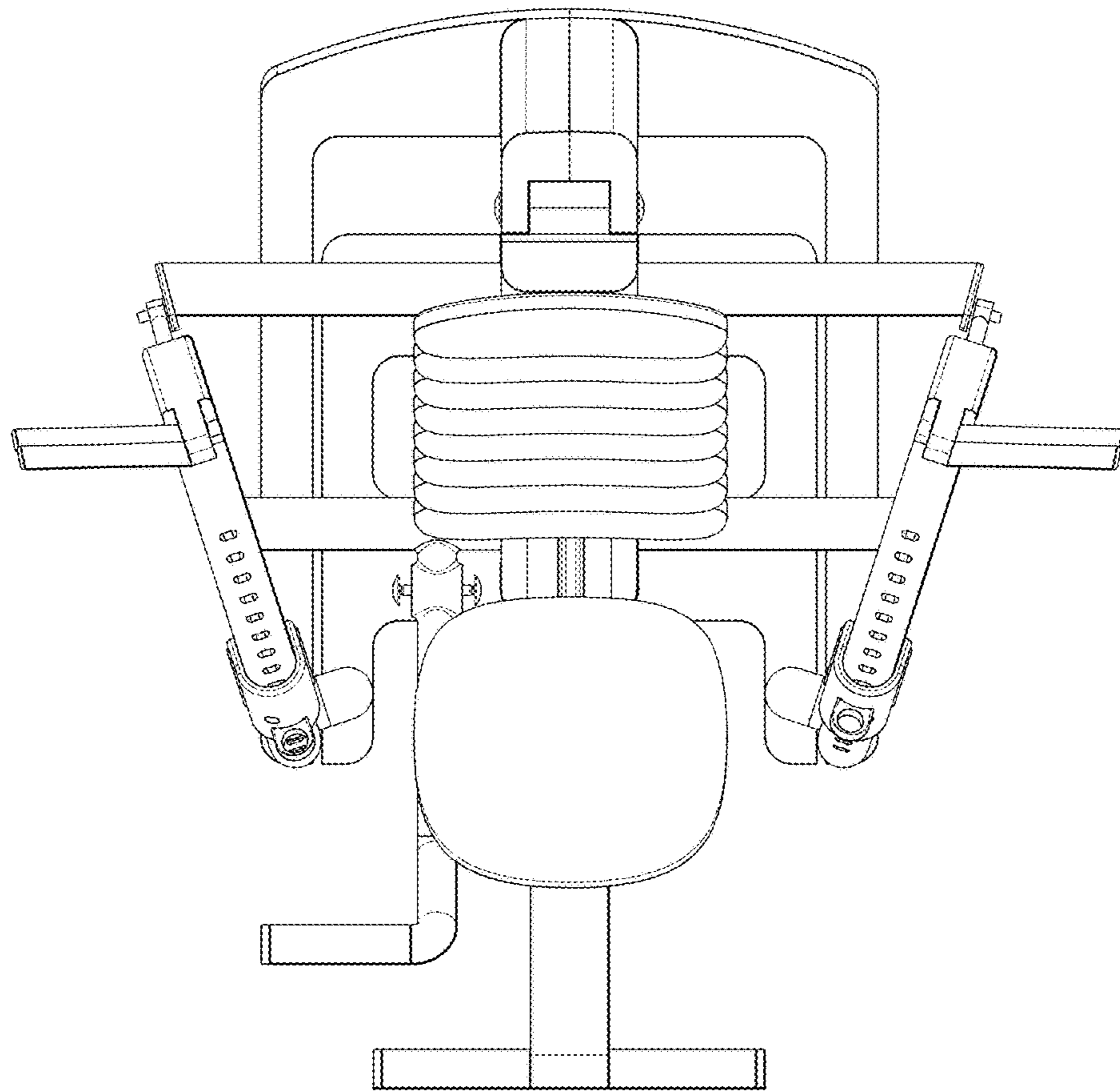


Fig. 6

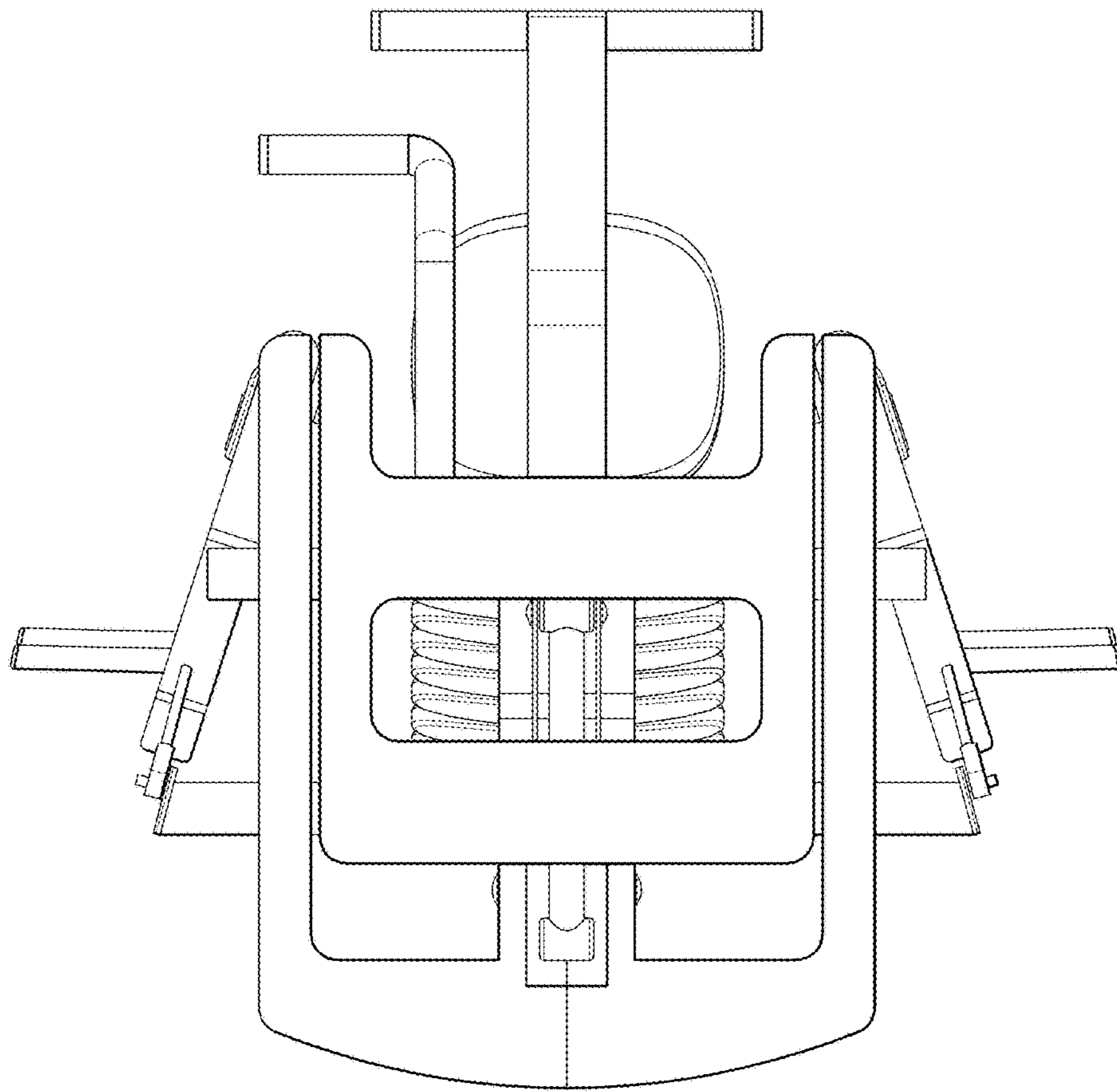


Fig. 7