



US00D865876S

(12) **United States Design Patent**  
**Webber**

(10) **Patent No.:** **US D865,876 S**

(45) **Date of Patent:** **\*\* Nov. 5, 2019**

(54) **STACKABLE BLOCK**

(71) Applicant: **Stut No. 1 Pty Ltd**, Sumner Park, QLD (AU)

(72) Inventor: **Richard Webber**, Bellbowrie (AU)

(73) Assignee: **STUT NO. 1 PTY LTD**, Sumner Park QLD (AU)

(\*\*) Term: **15 Years**

(21) Appl. No.: **29/576,605**

(22) Filed: **Sep. 6, 2016**

(30) **Foreign Application Priority Data**

Mar. 15, 2016 (AU) ..... 201611458

(51) **LOC (12) Cl.** ..... **21-01**

(52) **U.S. Cl.**  
USPC ..... **D21/500**

(58) **Field of Classification Search**

USPC ..... D21/333, 373, 386, 389, 404, 468, 470,  
D21/471, 475, 484-505

CPC ..... A63H 33/04; A63H 33/06; A63H 33/062;  
A63H 33/08; A63H 33/088; A63F 9/12;  
A63F 9/1224

See application file for complete search history.

(56) **References Cited**

**U.S. PATENT DOCUMENTS**

D277,686 S *	2/1985	Chatani	.....	D21/501
D285,813 S *	9/1986	Takahashi	.....	D21/501
D301,260 S *	5/1989	McLaughlin	.....	D21/500
D324,084 S *	2/1992	Knudsen	.....	D21/500
D336,120 S *	6/1993	Knudsen	.....	D21/500
D359,523 S *	6/1995	Yeung	.....	D21/501

D368,497 S *	4/1996	Schmidt	.....	D21/501
D378,837 S *	4/1997	Olsen	.....	D21/500
D411,591 S *	6/1999	Laserna Fernandez	.....	D21/500
D609,282 S *	2/2010	Julich	.....	D21/501
D718,392 S *	11/2014	Weiss	.....	D21/500
D718,393 S *	11/2014	Weiss	.....	D21/500
D718,394 S *	11/2014	Weiss	.....	A63H 33/086 D21/500
D747,421 S *	1/2016	Connor, Jr.	.....	D21/501
D803,953 S *	11/2017	Wallace	.....	D21/500
2012/0181223 A1 *	7/2012	Yang	.....	C02F 3/101 210/150

\* cited by examiner

*Primary Examiner* — Cynthia M. Chin

(74) *Attorney, Agent, or Firm* — Stephen T. Scherrer; Monique A. Morneault; Scherrer Patent & Trademark Law, P.C.

(57) **CLAIM**

The ornamental design for a stackable block, as shown and described.

**DESCRIPTION**

FIG. 1 is a perspective view of a stackable block showing my new design;

FIG. 2 is a right side view of the stackable block;

FIG. 3 is a top view of the stackable block;

FIG. 4 is a left side view of the stackable block;

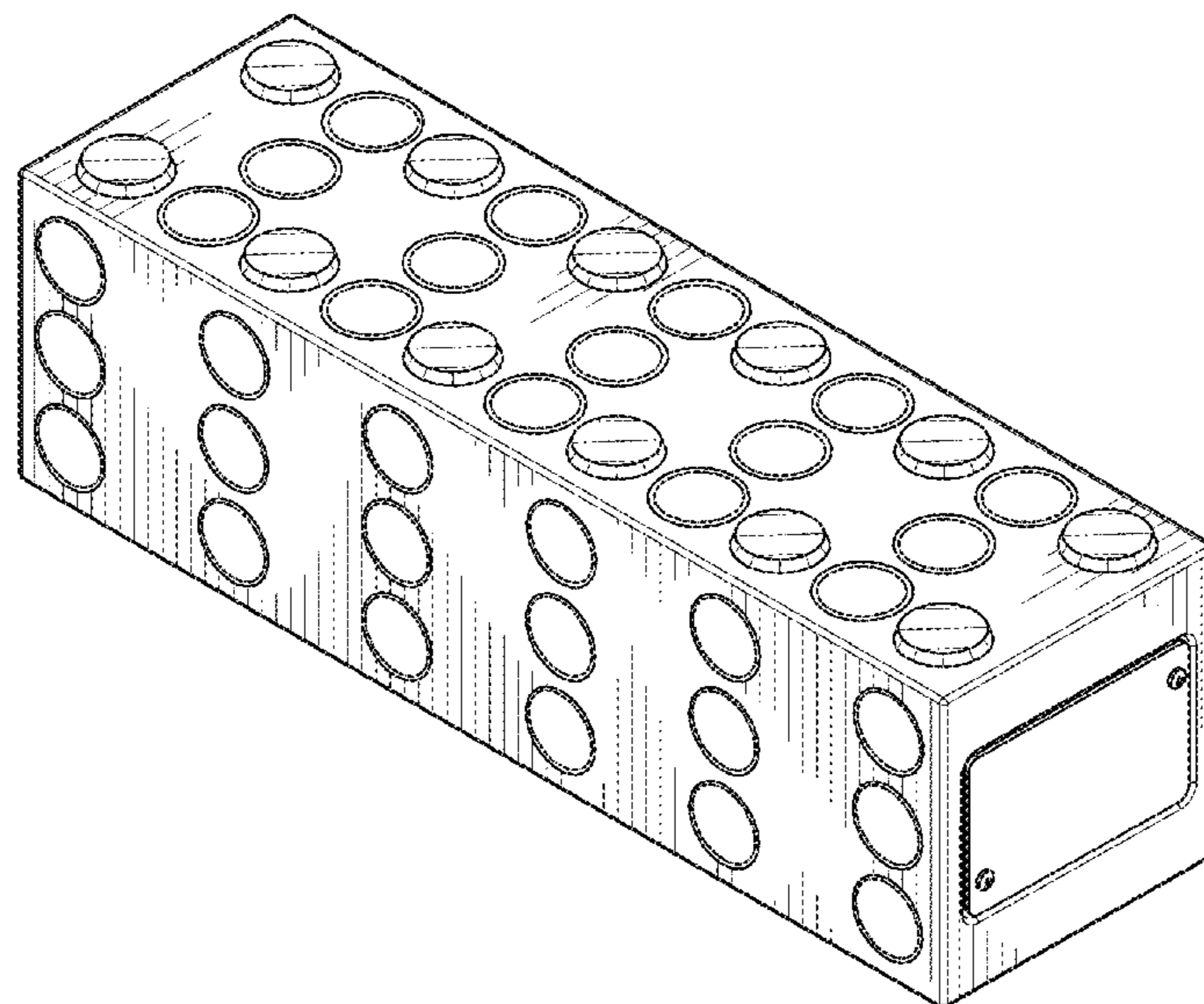
FIG. 5 is a bottom view of the stackable block;

FIG. 6 is a rear plan view of the stackable block; and,

FIG. 7 is a front plan view of the stackable block.

The broken lines in FIG. 1 represent the bounds of the claim and all other broken lines represent portions of the article that form not part of the claimed design. None of the broken lines form a part of the claimed design.

**1 Claim, 7 Drawing Sheets**



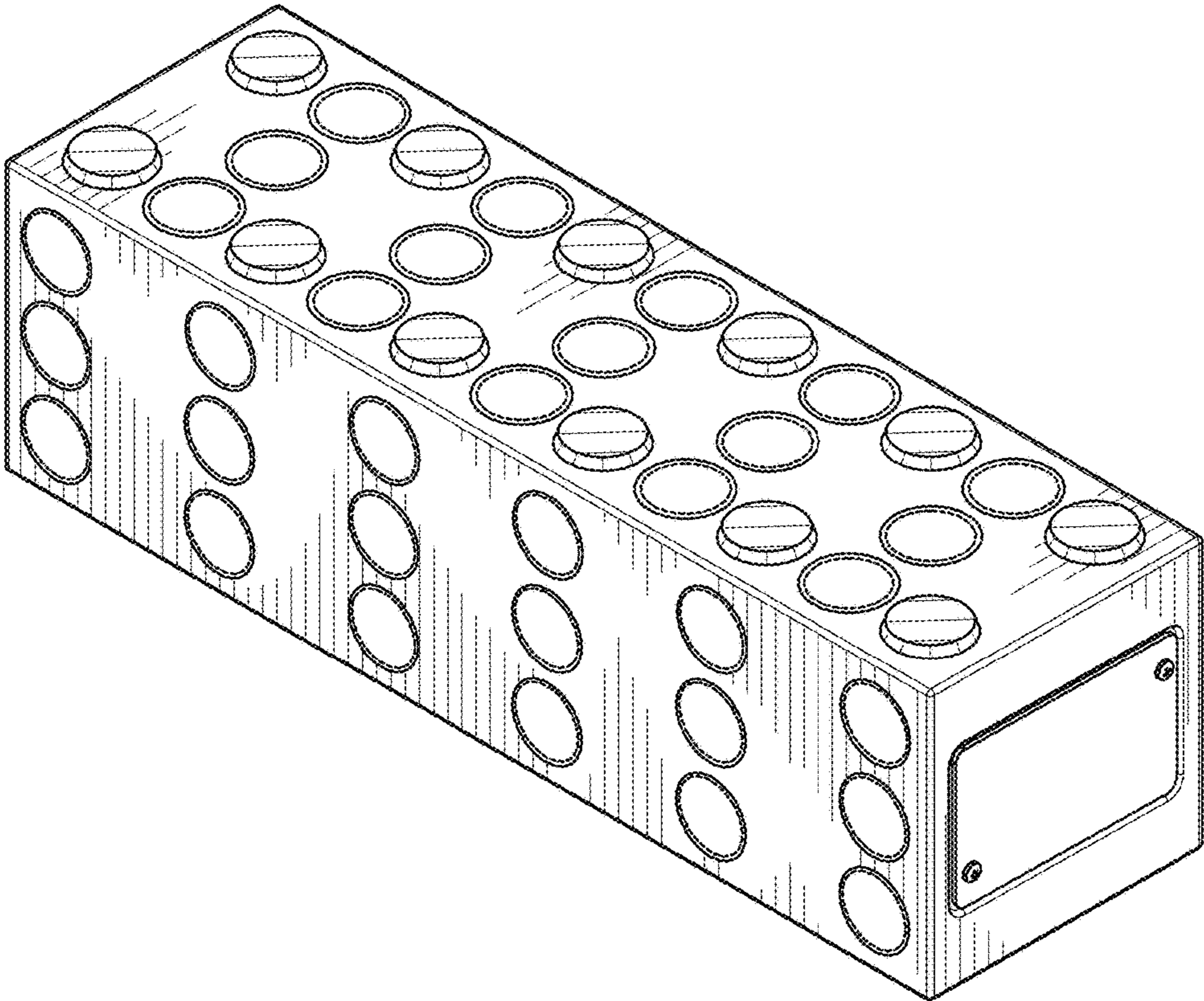


FIG. 1

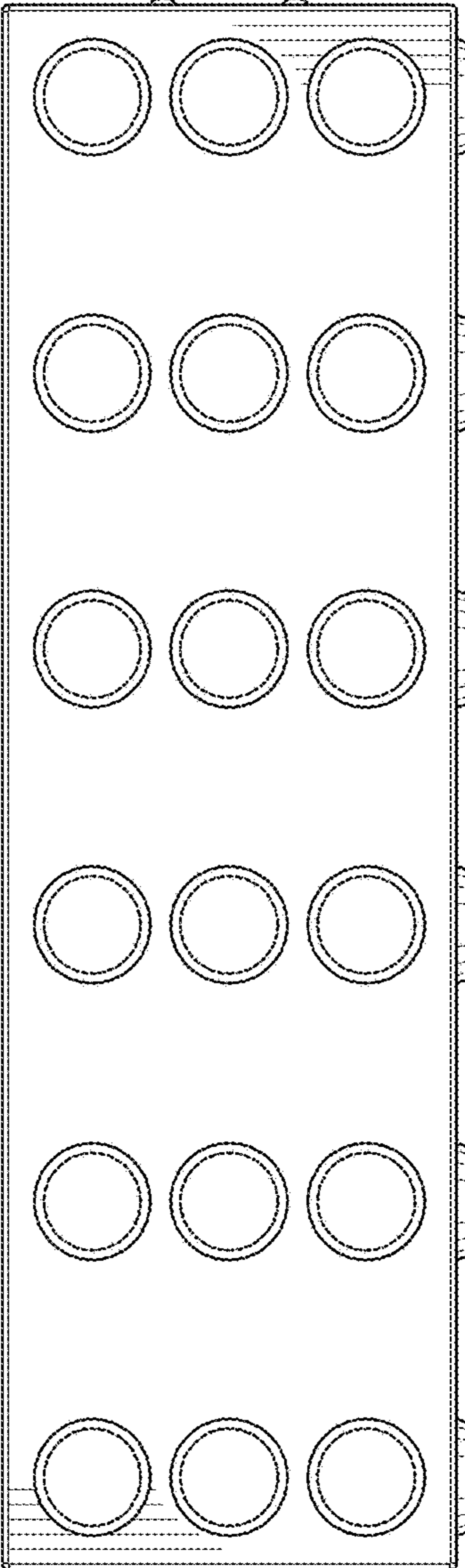


FIG. 2



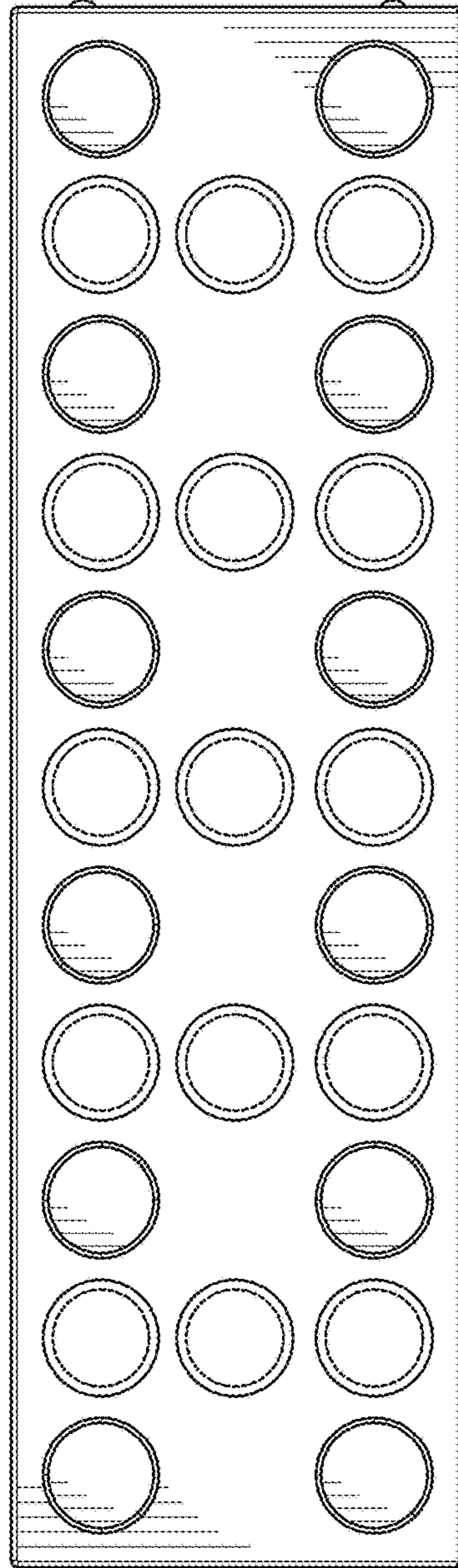


FIG. 3

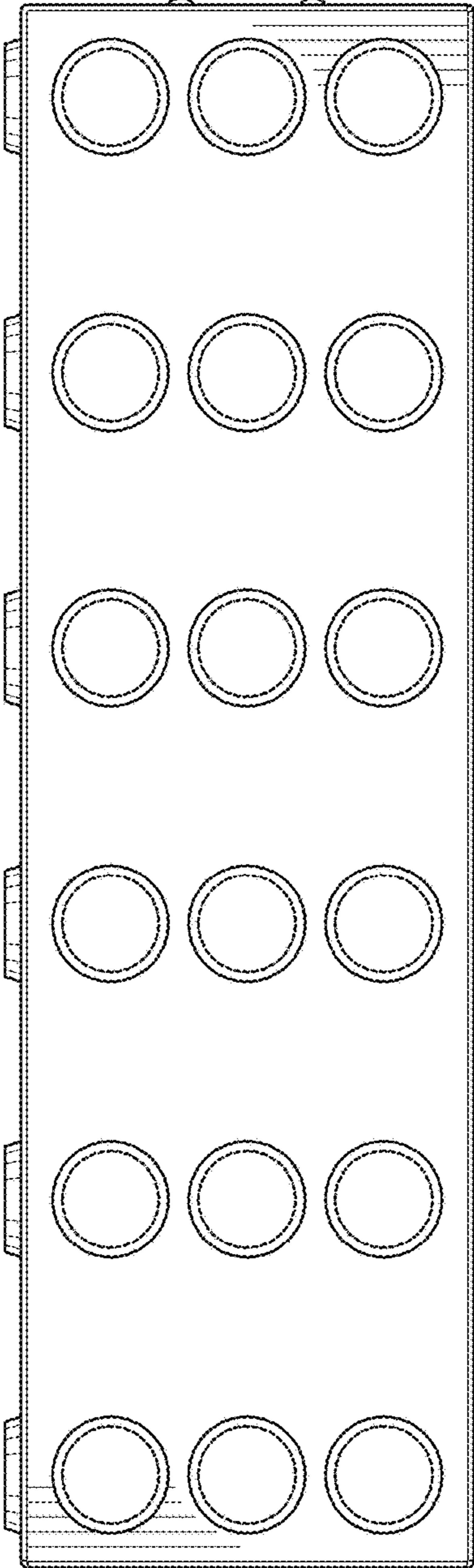


FIG. 4

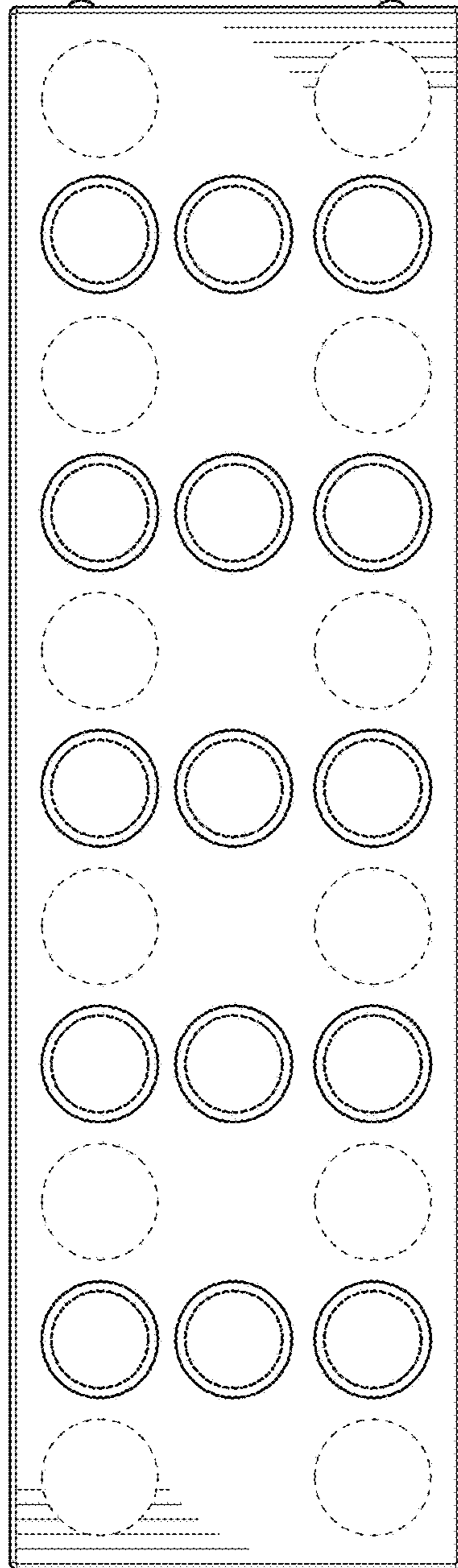


FIG. 5

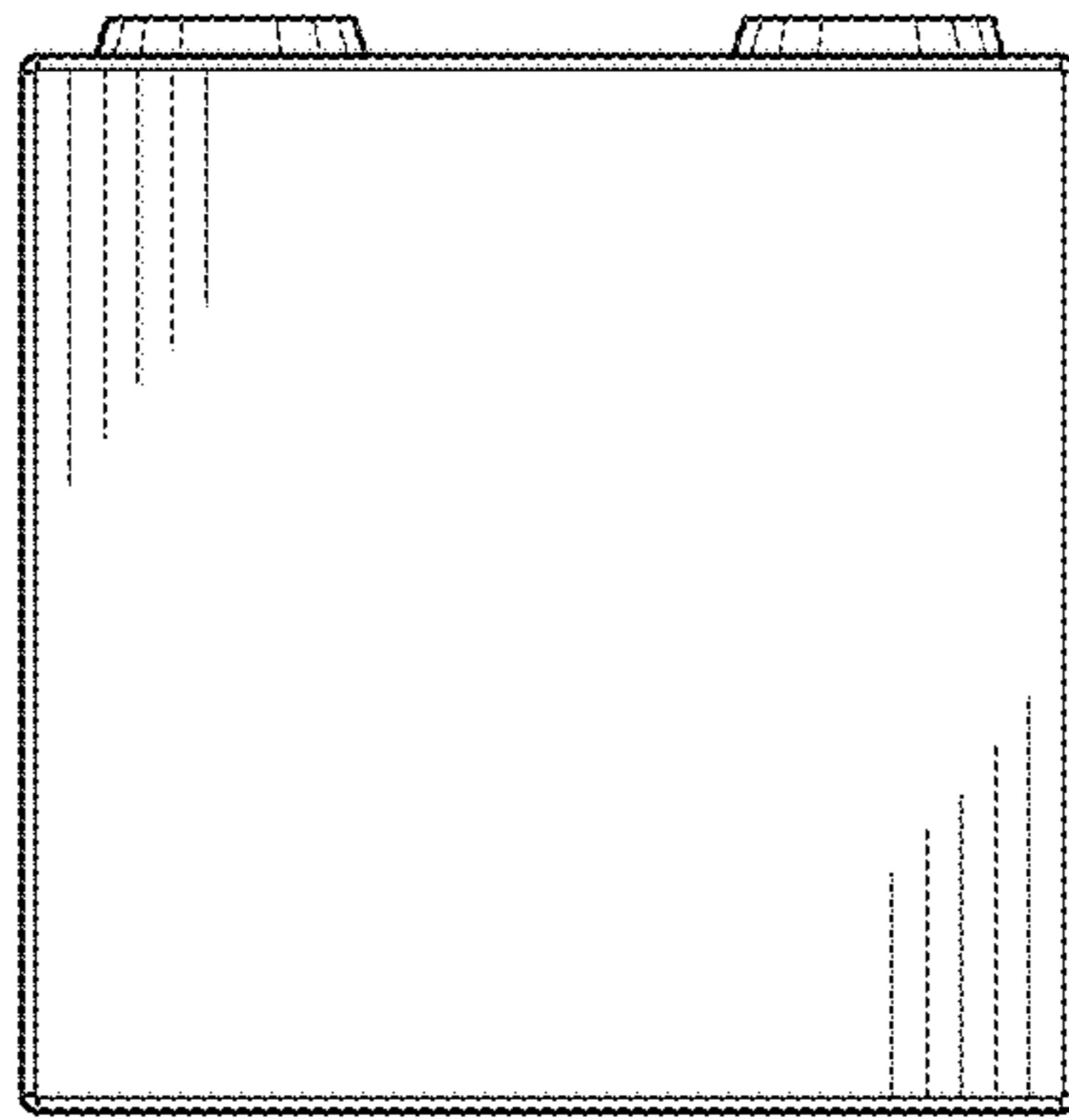


FIG. 6

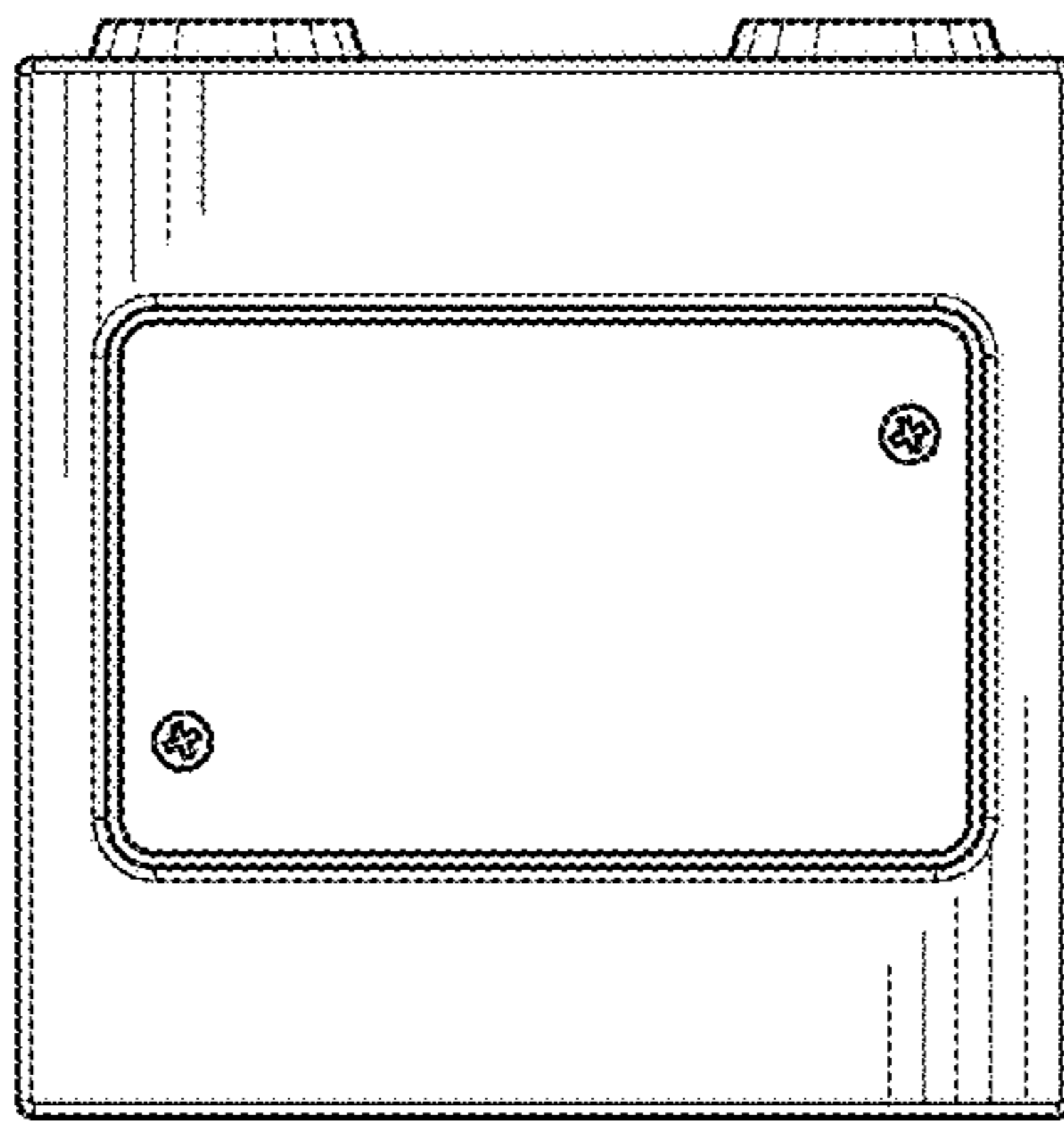


FIG. 7