



US00D865874S

(12) **United States Design Patent** (10) **Patent No.:** **US D865,874 S**
Maruszewski et al. (45) **Date of Patent:** **** Nov. 5, 2019**

(54) **VEHICLE FRAME**

(71) Applicant: **Rodski Sports Co.**, Chino, CA (US)

(72) Inventors: **John Maruszewski**, Chino Hills, CA (US); **Eric G. Rodriguez**, Chino Hills, CA (US)

(73) Assignee: **Rodski Sports Co.**, Chino, CA (US)

(**) Term: **15 Years**

(21) Appl. No.: **29/660,532**

(22) Filed: **Aug. 21, 2018**

(51) **LOC (12) Cl.** **21-01**

(52) **U.S. Cl.**
USPC **D21/423**

(58) **Field of Classification Search**
USPC D21/419, 421, 423, 760, 765, 771;
D12/1, 8, 107, 110, 112, 113, 114
CPC B62K 3/002; B62K 9/00; B62K 2202/00;
B60Y 2200/126
See application file for complete search history.

(56) **References Cited**

U.S. PATENT DOCUMENTS

D244,479 S * 5/1977 Pasin D21/423
D300,756 S * 4/1989 Cummings D21/423
4,941,670 A * 7/1990 Parr A63C 17/01
188/5
D312,485 S * 11/1990 Turner D21/423
D392,001 S * 3/1998 Chen D12/111
6,250,656 B1 * 6/2001 Ibarra B62K 3/002
280/62

6,273,439 B1 * 8/2001 Ray B62K 3/002
280/63
D471,597 S * 3/2003 Chen D21/423
D507,605 S * 7/2005 Iavarone D21/423
D528,168 S * 9/2006 Iavarone D21/423
D533,231 S * 12/2006 Swisher D21/423
D533,601 S * 12/2006 Moreira D21/423
7,188,849 B2 3/2007 Lee
7,540,517 B2 6/2009 Wernli
D641,800 S 7/2011 Wilson et al.
D656,998 S * 4/2012 Wiggins D21/423
8,801,008 B2 8/2014 Wilson
9,010,780 B1 4/2015 Chiu
D748,738 S 2/2016 Hadley et al.
9,327,796 B2 5/2016 Lee

* cited by examiner

Primary Examiner — Cynthia M. Chin

(74) *Attorney, Agent, or Firm* — Barry IP Law

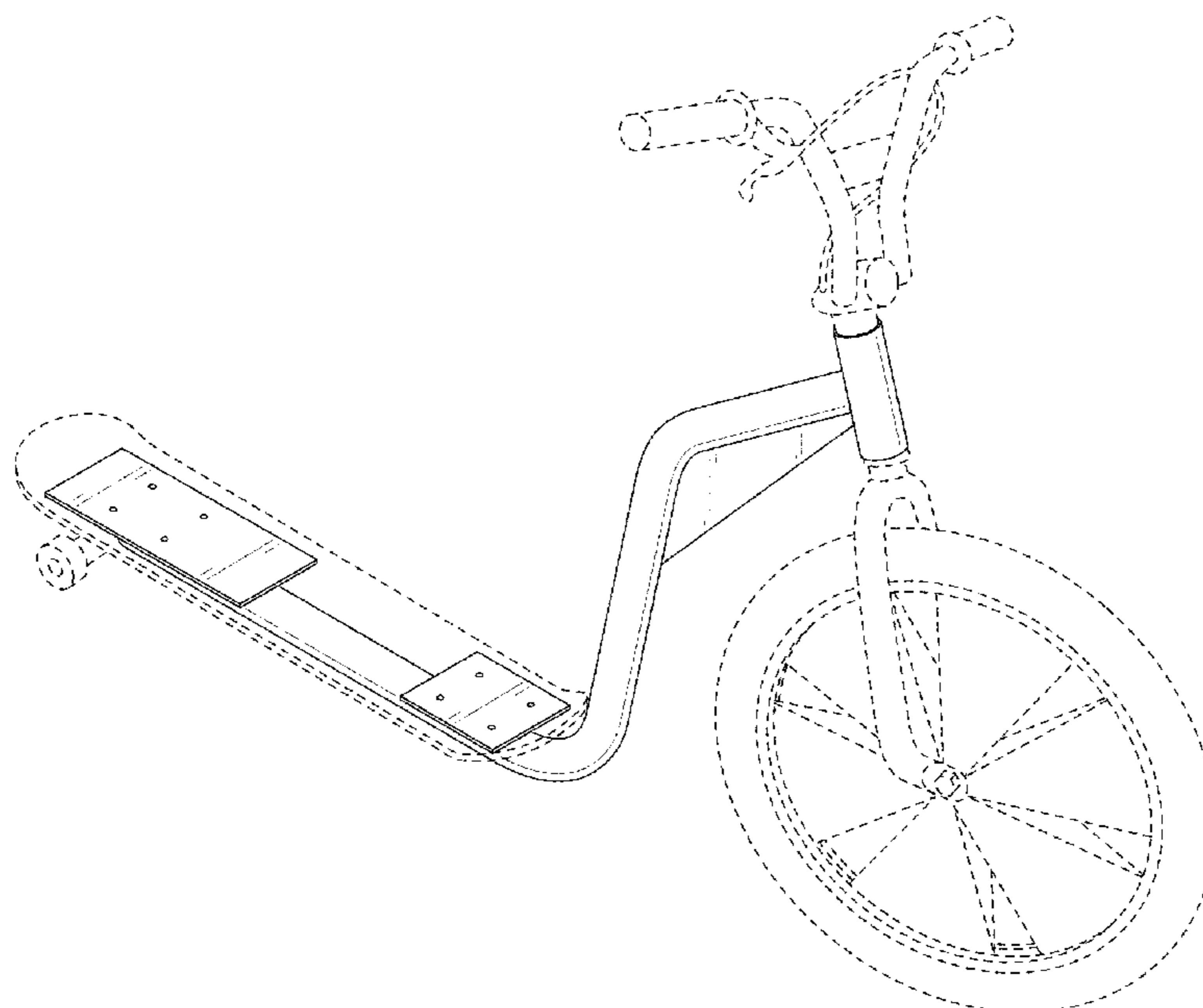
(57) **CLAIM**

The ornamental design for a vehicle frame, as shown and described.

DESCRIPTION

FIG. 1 is a side perspective view of a vehicle frame.
FIG. 2 is a front view of the vehicle frame.
FIG. 3 is a rear view of the vehicle frame.
FIG. 4 is a right side view of the vehicle frame.
FIG. 5 is a left side view of the vehicle frame.
FIG. 6 is a top view of the vehicle frame; and,
FIG. 7 is a bottom view of the vehicle frame.
The broken lines represent the environment in which the vehicle frame resides and forms no part of the claimed design.

1 Claim, 5 Drawing Sheets



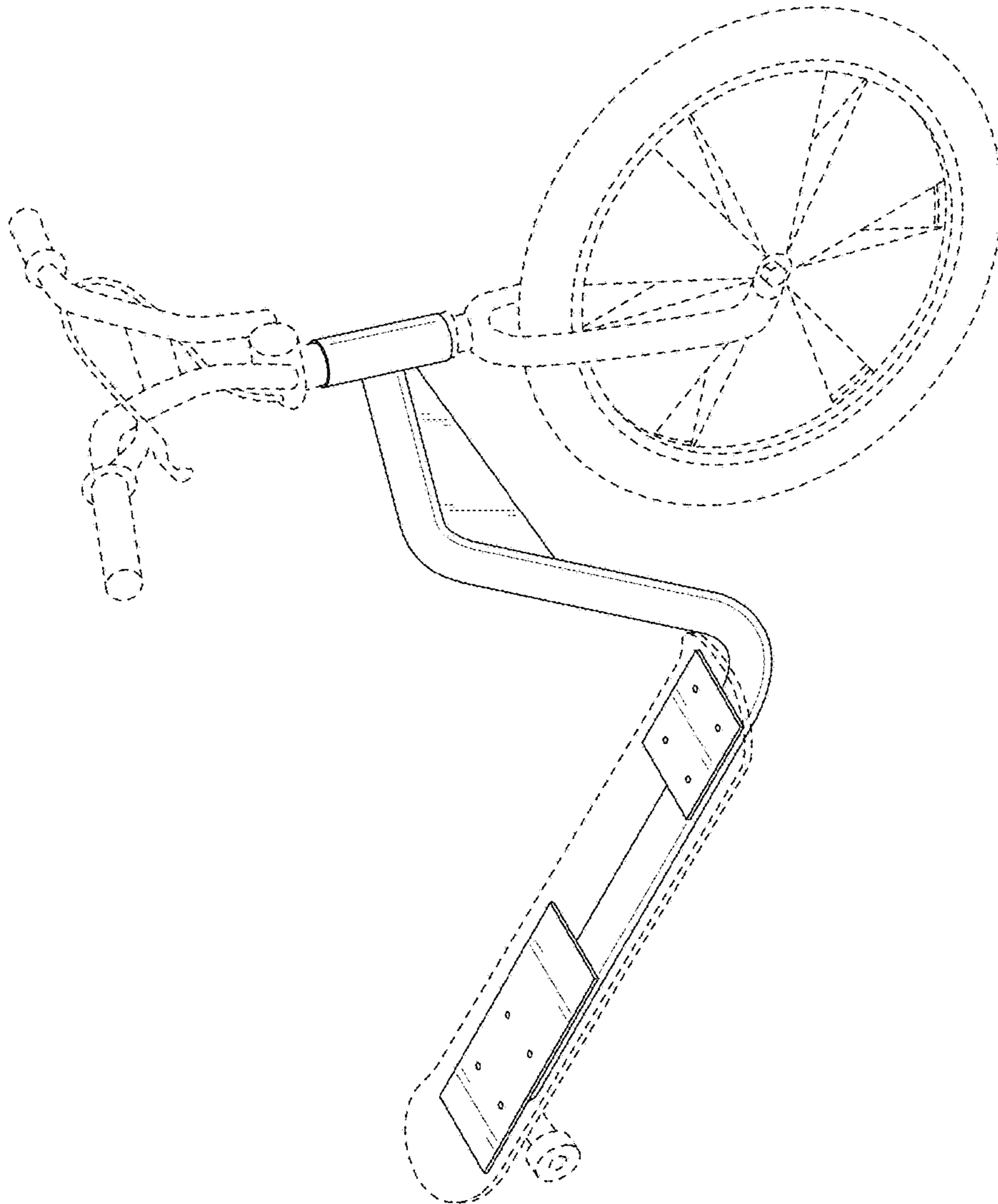


FIG. 1

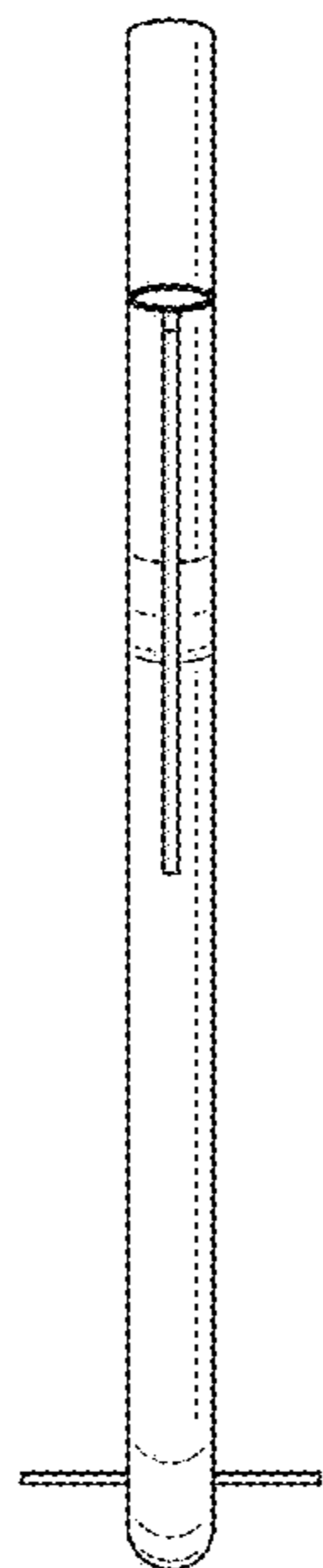


FIG. 2

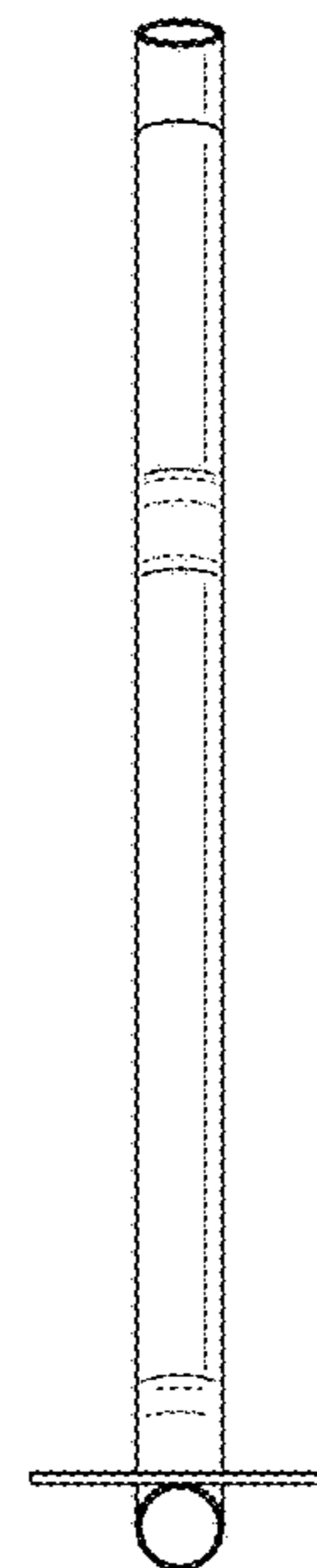


FIG. 3

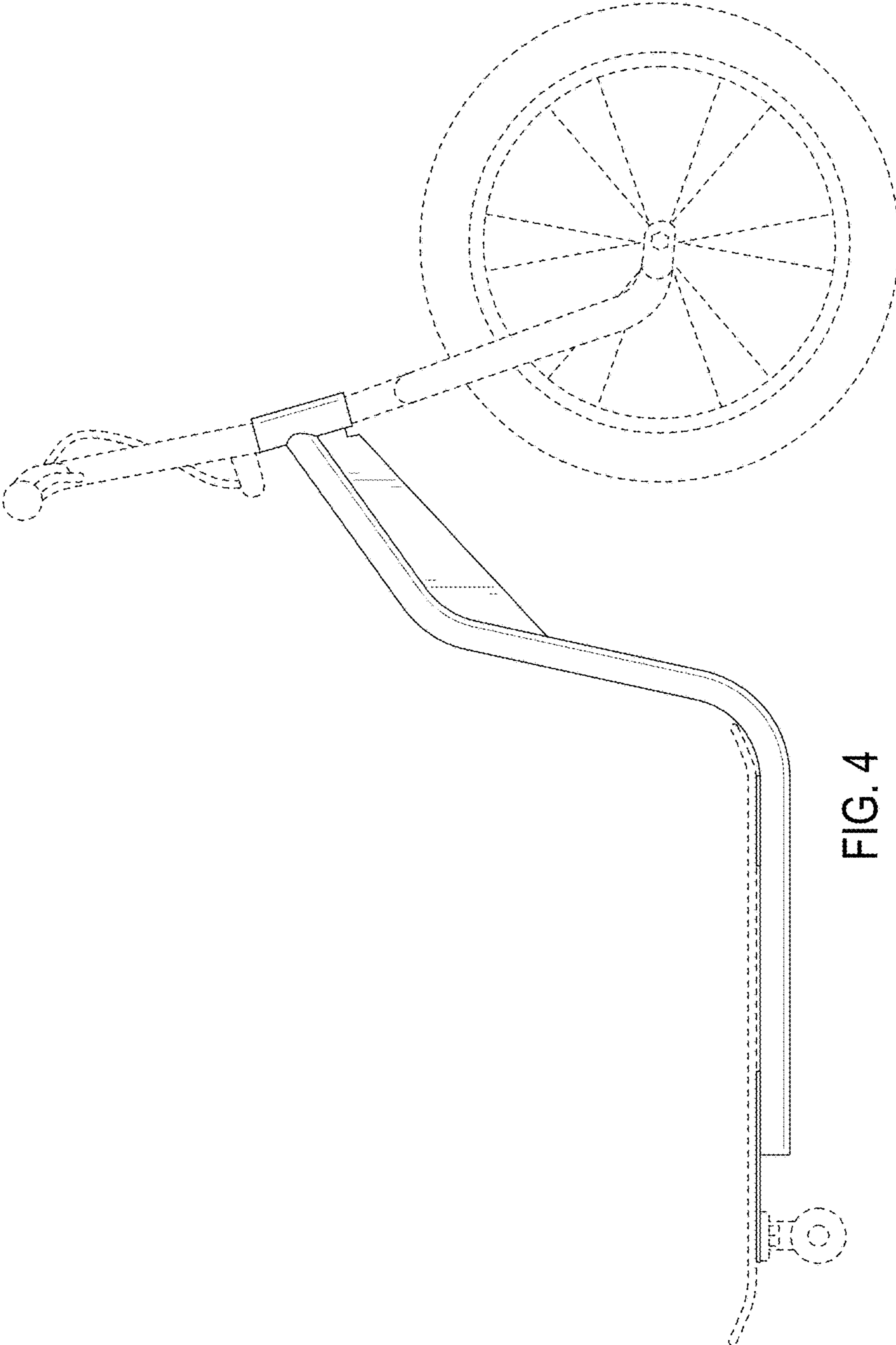


FIG. 4

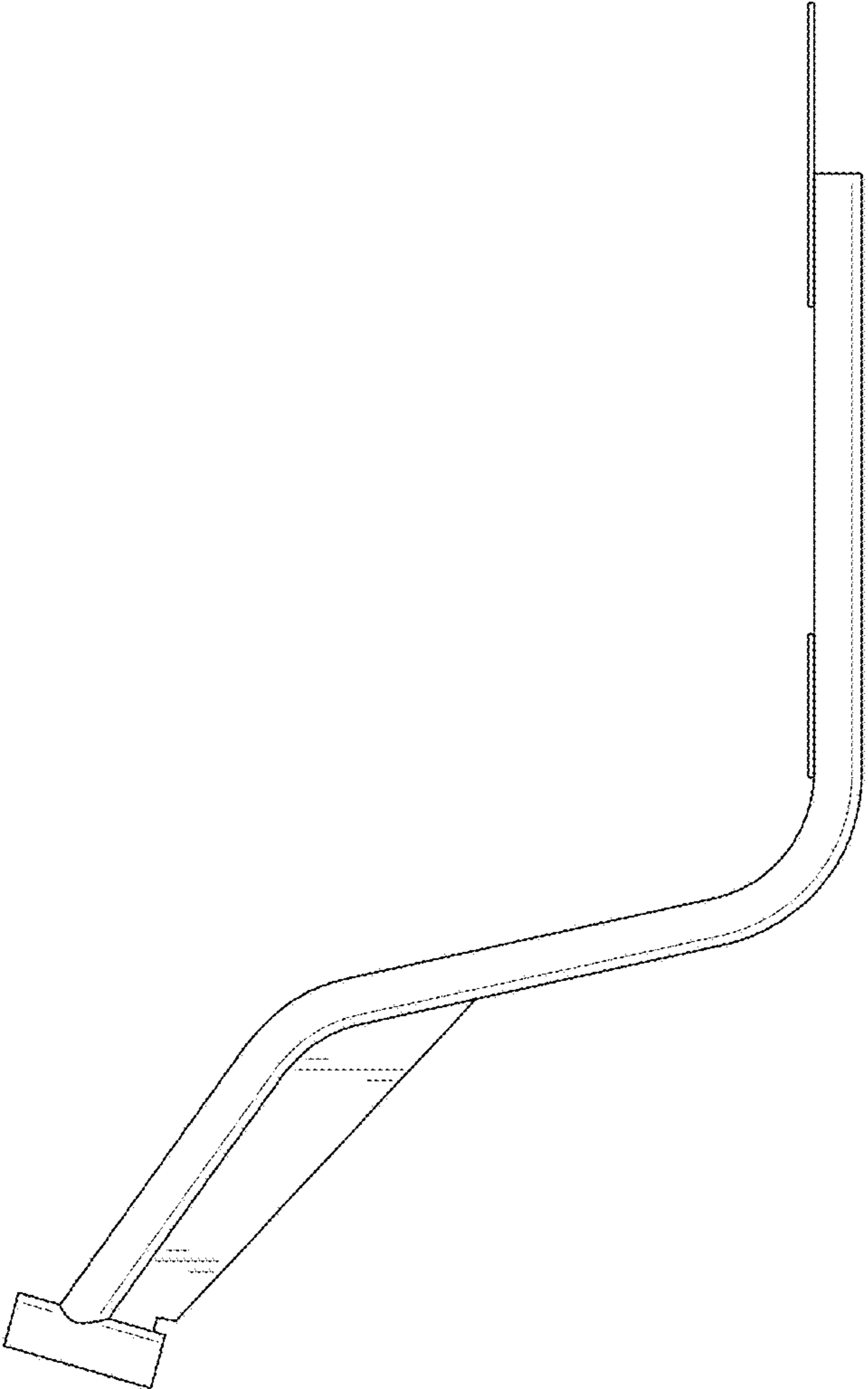


FIG. 5

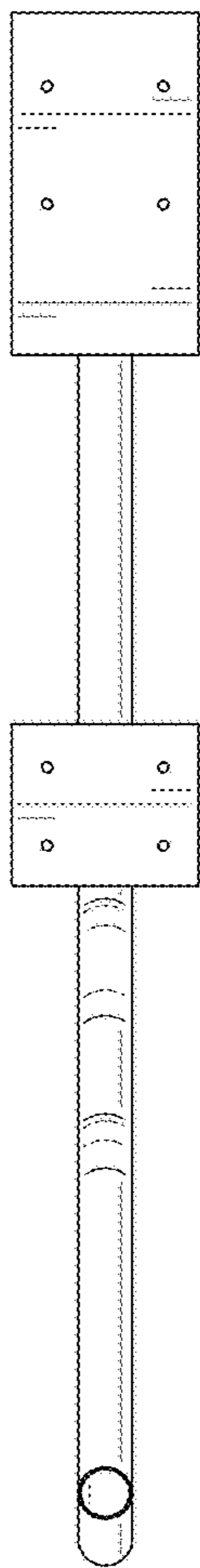


FIG. 6

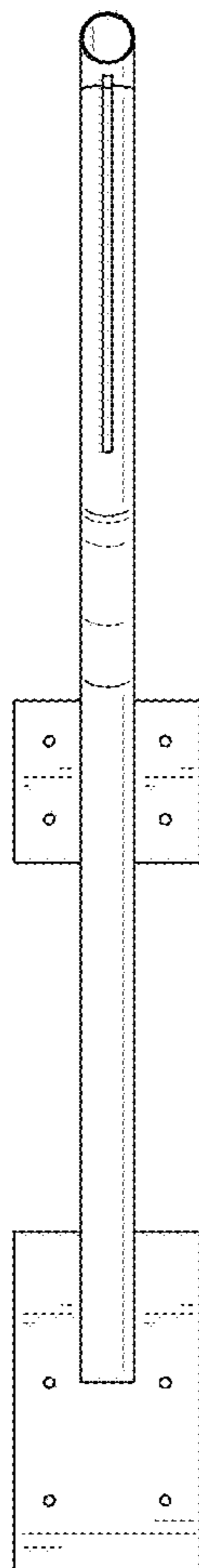


FIG. 7