



US00D865873S

(12) **United States Design Patent** (10) **Patent No.:** **US D865,873 S**
Lewis et al. (45) **Date of Patent:** **** Nov. 5, 2019**

(54) **GAMING MACHINE**

FOREIGN PATENT DOCUMENTS

(71) Applicant: **AGS LLC**, Las Vegas, NV (US)

AU 338369 9/2011
CL 201000683 12/2011

(72) Inventors: **Rachel Calhoun Lewis**, Atlanta, GA (US); **Sigmund Hyunjai Lee**, Atlanta, GA (US); **Karl Frederick Zedell, Jr.**, Alpharetta, GA (US); **Mark Robert Brandau**, Johns Creek, GA (US); **Brian Edward Tovar**, Atlanta, GA (US); **Wei Gu**, Daly City, CA (US); **Ariel David Turgel**, San Francisco, CA (US); **Daniel Kendall Harden**, Palo Alto, CA (US)

(Continued)

OTHER PUBLICATIONS

Bluebird Slant Widescreen literature from www.wms.com/technologyandinnovation_cabinets_widescreen.php dated May 19, 2009, showing a gaming machine cabinet that was sold and/or publicly disclosed at least as early as Dec. 13, 2008.

(Continued)

Primary Examiner — Ryan Harvey

(73) Assignee: **AGS LLC**, Las Vegas, NV (US)

(74) *Attorney, Agent, or Firm* — Weide & Miller, Ltd.

(**) Term: **15 Years**

(57) **CLAIM**

(21) Appl. No.: **29/614,799**

The ornamental design for a gaming machine, as shown and described.

(22) Filed: **Aug. 23, 2017**

DESCRIPTION

(51) **LOC (12) Cl.** **21-02**

(52) **U.S. Cl.**
USPC **D21/369**

(58) **Field of Classification Search**
USPC D21/369, 370, 371, 385, 329, 325, 394; D14/307, 172, 129, 325, 401, 371, 126, D14/439, 432, 450, 128, 375, 248, 374, D14/341, 138 G, 127; 463/28, 13, 11, 463/16, 20, 25, 31, 46, 23, 30, 17, 36, 29, 463/42, 34, 32, 35, 19, 21, 22; 273/292,
(Continued)

FIG. 1 is a front isometric view of a gaming machine in accordance with the present invention; FIG. 2 is a front elevation view of the gaming machine illustrated in FIG. 1; FIG. 3 is a first side view of the gaming machine illustrated in FIG. 1, wherein a second side view of the gaming machine comprises substantially a mirror image of the first side view; FIG. 4 is a top plan view of the gaming machine illustrated in FIG. 1; FIG. 5 is a bottom plan view of the gaming machine illustrated in FIG. 1; and, FIG. 6 is a rear elevation view of the gaming machine illustrated in FIG. 1.

The broken lines in the figures show portions of a button panel and other features of the gaming machine for reference only and form no part of the claimed design.

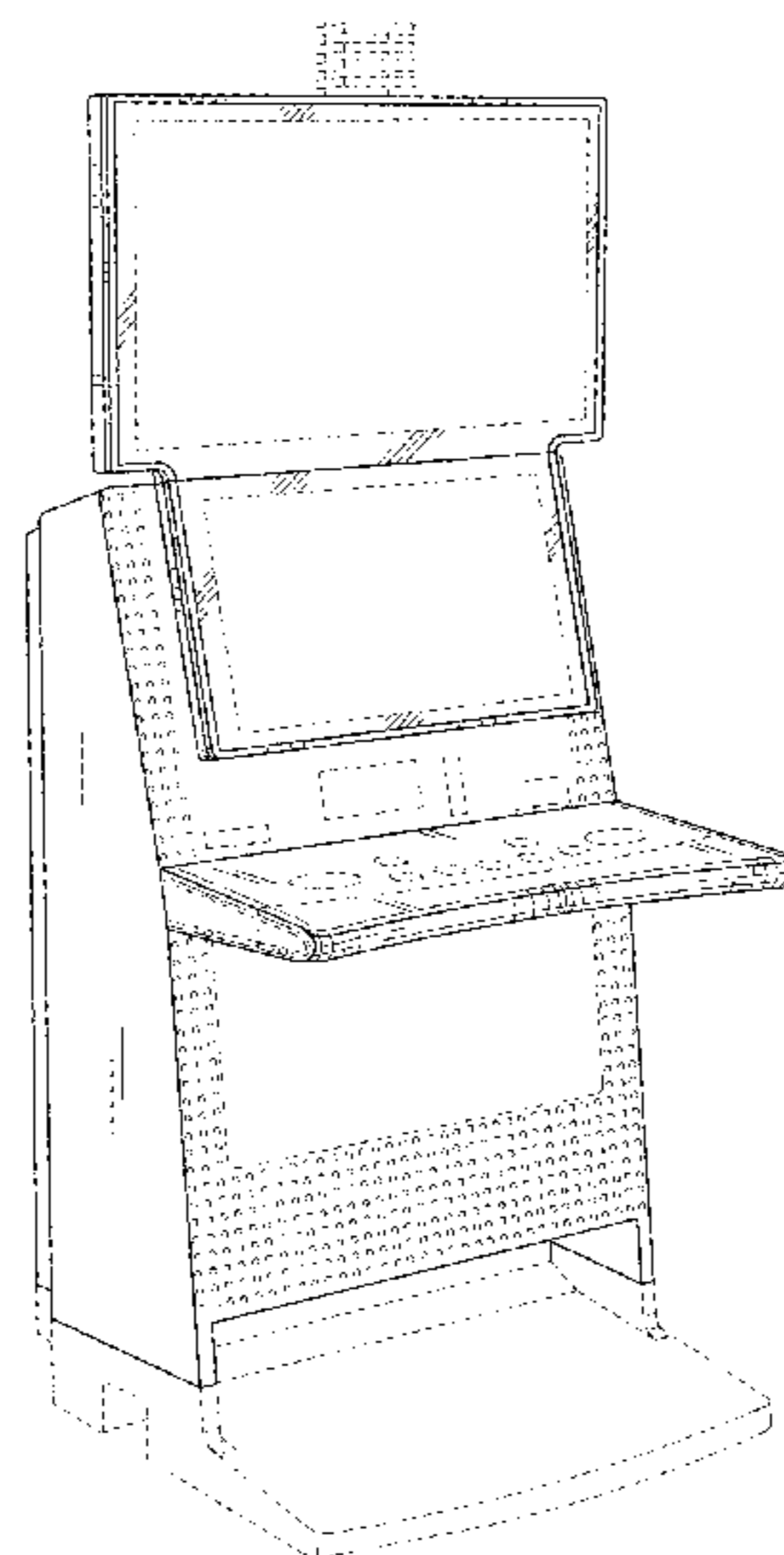
(56) **References Cited**

U.S. PATENT DOCUMENTS

4,440,457 A 4/1984 Fogelman et al.
D275,117 S 8/1984 Heywood

(Continued)

1 Claim, 3 Drawing Sheets



(58) **Field of Classification Search**
 USPC 273/203, 138.2, 143 R, 142 R, 138.1;
 D16/226; D8/335, 331, 334; D24/141;
 D7/641
 CPC G07F 17/32; G07F 17/34; G07F 17/3211;
 G07F 17/3244; G07F 17/3267
 See application file for complete search history.

(56) **References Cited**
 U.S. PATENT DOCUMENTS

4,844,567 A 7/1989 Chalabian
 4,918,579 A 4/1990 Bennett
 D307,771 S 5/1990 Cesaroni et al.
 5,057,827 A 10/1991 Nobile et al.
 5,108,099 A 4/1992 Smyth
 5,113,990 A 5/1992 Gabrius et al.
 D333,164 S 2/1993 Kraft et al.
 5,302,965 A 4/1994 Belcher et al.
 D352,330 S 11/1994 Smith
 5,381,502 A 1/1995 Veligdan
 5,521,587 A 5/1996 Sawabe et al.
 D373,809 S 9/1996 Hirato
 5,561,346 A 10/1996 Byrne
 D378,604 S 3/1997 Brettschneider
 D380,014 S 6/1997 Yang
 D381,697 S 7/1997 Brettschneider
 D381,700 S 7/1997 Brettschneider
 5,670,971 A 9/1997 Tokimoto et al.
 D386,796 S 11/1997 Komori
 D388,469 S 12/1997 Dickenson et al.
 5,695,402 A 12/1997 Stupak
 5,813,914 A 9/1998 McKay et al.
 5,818,401 A 10/1998 Wang
 5,826,882 A 10/1998 Ward
 5,836,819 A 11/1998 Ugawa
 D407,758 S 4/1999 Isentani et al.
 D410,039 S 5/1999 McClellan
 D413,635 S 9/1999 Taylor
 D421,631 S 3/2000 Tsuda
 D424,122 S 5/2000 Dickenson et al.
 6,068,101 A 5/2000 Dickenson et al.
 D428,062 S 7/2000 Hayashi
 6,095,526 A 8/2000 Cook, II
 6,135,884 A 10/2000 Hedrick et al.
 6,164,645 A 12/2000 Weiss
 D436,380 S 1/2001 Brettschneider
 6,176,584 B1 1/2001 Best et al.
 6,183,109 B1 2/2001 Nelson et al.
 6,186,645 B1 2/2001 Camarota
 6,201,703 B1 3/2001 Yamada et al.
 D439,931 S 4/2001 Yamaguchi
 D442,640 S 5/2001 Hayashi
 6,265,984 B1 6/2001 Molinaroli
 D446,252 S 8/2001 Yamaguchi
 D447,052 S 8/2001 Goserud
 6,278,419 B1 8/2001 Malkin
 6,283,608 B1 9/2001 Straat
 6,319,125 B1 11/2001 Acres
 6,332,690 B1 12/2001 Murofushi
 6,334,612 B1 1/2002 Wurz et al.
 D456,750 S 5/2002 McWilliams et al.
 D459,402 S 6/2002 Wurz et al.
 D460,915 S 7/2002 Lynch
 6,443,837 B1 9/2002 Jaffe et al.
 D464,377 S 10/2002 Wurz et al.
 D466,160 S 11/2002 Hirato et al.
 6,475,087 B1 11/2002 Cole
 D471,594 S 3/2003 Nojo
 6,577,286 B1 6/2003 Jang
 6,578,847 B1 6/2003 Hendrick et al.
 6,579,174 B1 6/2003 Lane et al.
 6,592,238 B2 7/2003 Cleaver et al.
 D481,078 S * 10/2003 Stephan D21/369
 6,641,484 B2 11/2003 Oles et al.
 6,682,418 B1 1/2004 Mendes et al.
 6,702,409 B2 3/2004 Hedrick et al.

D489,417 S 5/2004 Munoz et al.
 D492,676 S 7/2004 Monson et al.
 6,776,504 B2 8/2004 Sloan et al.
 D495,754 S 9/2004 Wurz et al.
 D495,755 S 9/2004 Wurz et al.
 D496,407 S 9/2004 Gadda et al.
 D498,267 S 11/2004 Crouch et al.
 D499,019 S 11/2004 Sagmeister et al.
 6,834,979 B1 12/2004 Cleaver et al.
 6,860,814 B2 3/2005 Cole
 6,897,624 B2 5/2005 Lys et al.
 6,899,626 B1 5/2005 Luciano et al.
 6,906,860 B2 6/2005 Starkweather
 D508,268 S 8/2005 Hanchar et al.
 D508,719 S 8/2005 de Haas
 D508,961 S 8/2005 Gatto et al.
 6,948,829 B2 9/2005 Verdes et al.
 D513,044 S 12/2005 Morrison
 6,997,810 B2 2/2006 Cole
 7,014,563 B2 3/2006 Stephan et al.
 D523,092 S 6/2006 Karlsson
 D525,664 S 7/2006 Cole
 7,123,811 B1 10/2006 Chen et al.
 D535,338 S 1/2007 Linard et al.
 7,178,941 B2 2/2007 Roberge et al.
 7,213,941 B2 5/2007 Sloan et al.
 7,237,925 B2 7/2007 Mayer et al.
 7,284,876 B2 10/2007 Ericson
 D554,708 S 11/2007 Gutknecht et al.
 D557,348 S 12/2007 Gutknecht et al.
 D557,349 S 12/2007 Linard et al.
 D559,917 S 1/2008 Cole
 D560,724 S 1/2008 Johnson
 D560,725 S 1/2008 Johnson
 7,331,694 B2 2/2008 Lee et al.
 D563,481 S 3/2008 Looks et al.
 D564,601 S 3/2008 Starhinic et al.
 7,339,782 B1 3/2008 Landes et al.
 D566,197 S 4/2008 Greenberg et al.
 7,355,573 B2 4/2008 Ogawa
 7,364,505 B2 4/2008 Mattice et al.
 7,367,145 B2 5/2008 Mou
 7,367,685 B2 5/2008 Moll
 7,390,257 B2 6/2008 Paulsen et al.
 D573,200 S 7/2008 Hashimoto et al.
 D573,201 S 7/2008 Hashimoto et al.
 7,397,387 B2 7/2008 Suzuki et al.
 7,423,864 B2 9/2008 Kim et al.
 7,442,125 B2 10/2008 Paulsen et al.
 7,476,154 B2 1/2009 Kogo et al.
 D586,866 S * 2/2009 Hsu D21/370
 7,506,463 B2 3/2009 Holst
 7,506,997 B1 3/2009 Eriksson
 7,513,830 B2 4/2009 Hajder et al.
 D592,053 S 5/2009 Suzuki
 D592,709 S 5/2009 McComb et al.
 D599,859 S * 9/2009 Lesley D21/370
 D602,772 S 10/2009 Suzuki et al.
 D603,909 S 11/2009 De Viveiros Ortiz
 D604,368 S 11/2009 Lesley et al.
 D605,231 S 12/2009 Hashimoto et al.
 7,641,554 B2 1/2010 Paulsen et al.
 7,654,899 B2 2/2010 Durham et al.
 7,667,891 B2 2/2010 Cok et al.
 D613,802 S 4/2010 Meyers et al.
 D615,598 S * 5/2010 McComb D21/370
 D616,039 S 5/2010 Bruzzese et al.
 7,708,640 B2 5/2010 Burak et al.
 D619,177 S * 7/2010 Lee D21/325
 D619,660 S 7/2010 Cole et al.
 D622,323 S 8/2010 De Viveiros Ortiz
 7,803,053 B2 9/2010 Atkinson
 D626,182 S 10/2010 Cole et al.
 D626,183 S 10/2010 Cole et al.
 D627,008 S 11/2010 Bruzzese et al.
 7,826,006 B2 11/2010 Koganezawa
 7,828,461 B2 11/2010 Mayer et al.
 7,833,102 B2 11/2010 Beadell et al.
 D632,342 S 2/2011 Wen

(56)

References Cited

U.S. PATENT DOCUMENTS

D633,950 S 3/2011 Terpstra et al.
 D636,822 S 4/2011 Levitan et al.
 7,927,218 B2 4/2011 Kopera et al.
 7,966,485 B2 6/2011 Chen et al.
 D646,336 S 10/2011 Kelly et al.
 D649,605 S 11/2011 Terpstra et al.
 8,054,243 B2 11/2011 Sokolov et al.
 8,075,385 B2 12/2011 Jackson
 8,241,124 B2 8/2012 Kelly et al.
 8,272,957 B2 9/2012 Crowder, Jr. et al.
 D671,425 S 11/2012 Huljak et al.
 D673,619 S 1/2013 Seelig
 D673,620 S 1/2013 Johnson et al.
 D673,621 S 1/2013 Johnson et al.
 D677,736 S * 3/2013 Dorn D21/370
 D678,761 S 3/2013 Cooper
 8,430,756 B2 4/2013 McComb et al.
 D684,216 S * 6/2013 Terpstra D21/370
 D684,637 S * 6/2013 Shelley D21/370
 D685,033 S 6/2013 Wudtke
 D685,435 S 7/2013 Hohman et al.
 8,550,913 B2 10/2013 Kelly et al.
 D696,109 S 12/2013 Wilker
 D697,558 S * 1/2014 Myers D21/325
 8,651,963 B1 2/2014 Thompson
 D701,114 S 3/2014 Baumwald et al.
 D704,273 S 5/2014 Chudek
 D705,872 S * 5/2014 Ortiz D21/370
 D706,741 S 6/2014 Myers
 D707,646 S 6/2014 Kim et al.
 D708,676 S * 7/2014 Ballman D14/307
 8,814,707 B2 8/2014 Slattery
 D712,975 S 9/2014 Lesley et al.
 8,827,819 B2 9/2014 Thompson
 D714,875 S 10/2014 Wudtke et al.
 D715,364 S 10/2014 Wudtke et al.
 8,851,989 B2 10/2014 Rosander et al.
 D719,615 S 12/2014 Inoue et al.
 D719,616 S 12/2014 Inoue et al.
 D720,211 S 12/2014 Brown et al.
 D721,766 S 1/2015 Ferrazoli
 D721,767 S 1/2015 Ferrazoli
 D723,022 S 2/2015 Miles
 D723,626 S 3/2015 Vasquez et al.
 8,974,297 B2 3/2015 Massing et al.
 D727,431 S * 4/2015 Themann D21/370
 D730,993 S 6/2015 Castro et al.
 D732,520 S * 6/2015 Themann D14/307
 D733,088 S 6/2015 Gameau et al.
 9,064,372 B2 6/2015 Rasmussen et al.
 D740,887 S * 10/2015 Randazzo D21/370
 D740,888 S 10/2015 DePalma et al.
 D742,974 S 11/2015 Lesley
 D745,093 S 12/2015 Weiss et al.
 D756,236 S 5/2016 DePaz et al.
 D760,846 S 7/2016 Castro et al.
 D762,613 S 8/2016 Gameau et al.
 D763,361 S 8/2016 Rosander et al.
 RE46,169 E 10/2016 Kelly et al.
 D770,090 S 10/2016 Zahr et al.
 9,478,097 B2 10/2016 Hennessy et al.
 9,504,919 B2 11/2016 Taylor et al.
 D776,801 S 1/2017 Tamura et al.
 9,573,050 B2 2/2017 Thompson et al.
 9,679,435 B2 * 6/2017 Schrementi G07F 17/3213
 9,711,001 B2 7/2017 Zedell, Jr. et al.
 9,745,107 B2 8/2017 Zahr et al.
 D798,389 S 9/2017 Weiss et al.
 D801,437 S 10/2017 Hohman
 D803,323 S 11/2017 Bussey et al.
 D803,324 S 11/2017 Bussey et al.
 D812,146 S 3/2018 Castro et al.
 D812,147 S 3/2018 Castro et al.
 D812,148 S 3/2018 Castro et al.
 D812,149 S 3/2018 Castro et al.

D818,048 S 5/2018 Calhoun et al.
 D822,117 S 7/2018 Costa
 2003/0064814 A1 4/2003 Stephan et al.
 2004/0001335 A1 1/2004 Wu
 2004/0053663 A1 3/2004 Paulsen et al.
 2004/0053699 A1 3/2004 Rasmussen et al.
 2004/0224776 A1 11/2004 Nagano
 2004/0229698 A1 11/2004 Lind et al.
 2005/0059486 A1 3/2005 Kaminkow
 2005/0130746 A1 6/2005 Stephenson, III et al.
 2005/0215325 A1 9/2005 Nguyen et al.
 2005/0261057 A1 11/2005 Bleich et al.
 2006/0030412 A1 2/2006 Cole
 2006/0073900 A1 4/2006 Cole
 2006/0094511 A1 5/2006 Roireau
 2006/0100013 A1 5/2006 Enzminger
 2006/0131810 A1 6/2006 Nicely
 2006/0183552 A1 8/2006 DiMichele
 2006/0205498 A1 9/2006 Kogo et al.
 2007/0010318 A1 1/2007 Rigsby et al.
 2007/0035965 A1 2/2007 Hoist
 2007/0060387 A1 3/2007 Enzminger et al.
 2007/0149291 A1 6/2007 Mitchell
 2007/0159820 A1 7/2007 Crandell et al.
 2007/0171640 A1 7/2007 Sloan et al.
 2007/0197301 A1 8/2007 Cole
 2007/0225079 A1 9/2007 Cole
 2007/0287527 A1 12/2007 Tanabe et al.
 2007/0287528 A1 12/2007 Hirato et al.
 2007/0287544 A1 12/2007 Hirato et al.
 2008/0020838 A1 1/2008 Slattery
 2008/0076553 A1 3/2008 Paulsen et al.
 2008/0113794 A1 5/2008 Cole
 2008/0119288 A1 5/2008 Rasmussen
 2008/0186415 A1 8/2008 Boud et al.
 2008/0194313 A1 8/2008 Walker
 2008/0227522 A1 9/2008 Toyoda
 2008/0248852 A1 10/2008 Rasmussen
 2008/0268949 A1 10/2008 Dell
 2008/0311987 A1 12/2008 Hirato
 2009/0011839 A1 1/2009 Cole
 2009/0036208 A1 2/2009 Pennington et al.
 2009/0045723 A1 2/2009 Ishikawa
 2009/0179597 A1 7/2009 Salmon
 2009/0247261 A1 10/2009 Koami
 2009/0275389 A1 11/2009 Englman et al.
 2010/0016084 A1 1/2010 Bleich et al.
 2010/0020546 A1 1/2010 Kukita
 2010/0120518 A1 5/2010 Borissov et al.
 2010/0120541 A1 * 5/2010 Lesley G07F 17/32
 2010/0137060 A1 6/2010 Cole 463/46
 2011/0118034 A1 5/2011 Jaffe et al.
 2011/0136573 A1 * 6/2011 McComb A63F 13/08
 2011/0195775 A1 8/2011 Wells 463/31
 2011/0319152 A1 12/2011 Ross et al.
 2012/0178523 A1 7/2012 Greenberg et al.
 2013/0084948 A1 4/2013 Watkins et al.
 2014/0132891 A1 5/2014 Tohyama et al.
 2014/0206432 A1 7/2014 Radek et al.
 2014/0250409 A1 9/2014 Shah et al.
 2014/0256409 A1 9/2014 Wood et al.
 2014/0268876 A1 9/2014 Lee et al.
 2014/0323212 A1 10/2014 Thompson et al.
 2015/0087403 A1 3/2015 Castro et al.
 2015/0141113 A1 5/2015 Melnick et al.
 2015/0269810 A1 9/2015 Wolf et al.
 2015/0336005 A1 11/2015 Melnick et al.
 2017/0178443 A1 6/2017 Calhoun et al.
 2017/0178444 A1 6/2017 Lee et al.
 2018/0078854 A1 3/2018 Achmueller et al.
 2018/0082523 A1 3/2018 Palermo et al.

FOREIGN PATENT DOCUMENTS

CL 201302246 2/2014
 CL 201702159 10/2017
 EM 000227822-0005 9/2004

(56)

References Cited

FOREIGN PATENT DOCUMENTS

| | | |
|----|----------------|---------|
| EM | 000776687-0003 | 8/2007 |
| EM | 000857347-0009 | 1/2008 |
| EM | 000972724-0001 | 7/2008 |
| EM | 000975727-0001 | 7/2008 |
| EM | 001598418-0004 | 8/2009 |
| EM | 001688540-0002 | 3/2010 |
| EM | 001724873-0005 | 6/2010 |
| EM | 002081661-0005 | 7/2012 |
| WO | D093245-0001 | 11/2016 |

OTHER PUBLICATIONS

Icon by AGS, <http://www.playags.com/portfolio/icon/>, 3 pages, Feb. 23, 2016.

International Search Report and Written Opinion for PCT/US16/66904 dated Apr. 25, 2017, 12 pages.

Orion by AGS, <http://www.playags.com/portfolio/orion/>, 3 pages, Sep. 15, 2016.

Spec International, Inc., GEN-311 gaming machine cabinet, publicly disclosed at least as early as Dec. 13, 2008.

Non-Published U.S. Appl. No. 12/947,695, filed Nov. 16, 2010, titled Edge Lighted Gaming Panels for Electronic Gaming Device.

Non-published Design U.S. Appl. No. 29/540,241, filed Sep. 22, 2015, titled Gaming Device Wall of Light.

Non-Published Design U.S. Appl. No. 29/540,396, filed Sep. 24, 2015, titled Game Tower.

Genesis DVI Cabinets by Cadillac Jack circa 2010.

Infinity Super Skybox by Incredible Technologies, <https://gaming.itsgames.com/cabinets/infinity-super-skybox>, Aug. 11, 2016.

Super Sky Wheel Slot Makes World Premiere at Borgata—Borgata Blog, <http://blog.theborgata.com/2016/06/16/super-sky-wheel-slot-makes-world-premiere-at-borgata/>, Jun. 16, 2016.

Aristocrat Brings the Game Forward With Advanced New Helix Slant Cabinet, Market Wired, <http://www.marketwired.com/press-release/aristocrat-brings-the-game-forward-with-advanced-new-helix-slant-cabinet-asx-a11-1904223.htm>, Apr. 29, 2014.

Helix+ by Aristocrat, 2016.

Helix Upright by Aristocrat, 2014.

b.Pod by Bluberi, <https://www.bluberi.com/bluberi-bpod/>, Accessed Feb. 27, 2018.

Bluberi Set to Reveal Dramatic New Product Line-Up at G2E 2017, Press Release, Soloazar, <http://www.soloazar.com/international/noticia/19870-Bluberi-Set-to-Reveal-Dramatic-New-Product-Line-Up-at-G2E-2017>, Sep. 15, 2017.

AGS LLC; Exhibit 22 to Response to Office Action filed Jul. 27, 2018 with the U.S. Patent and Trademark Office in U.S. Trademark Application No. 87/620,830; 24 pages.

* cited by examiner

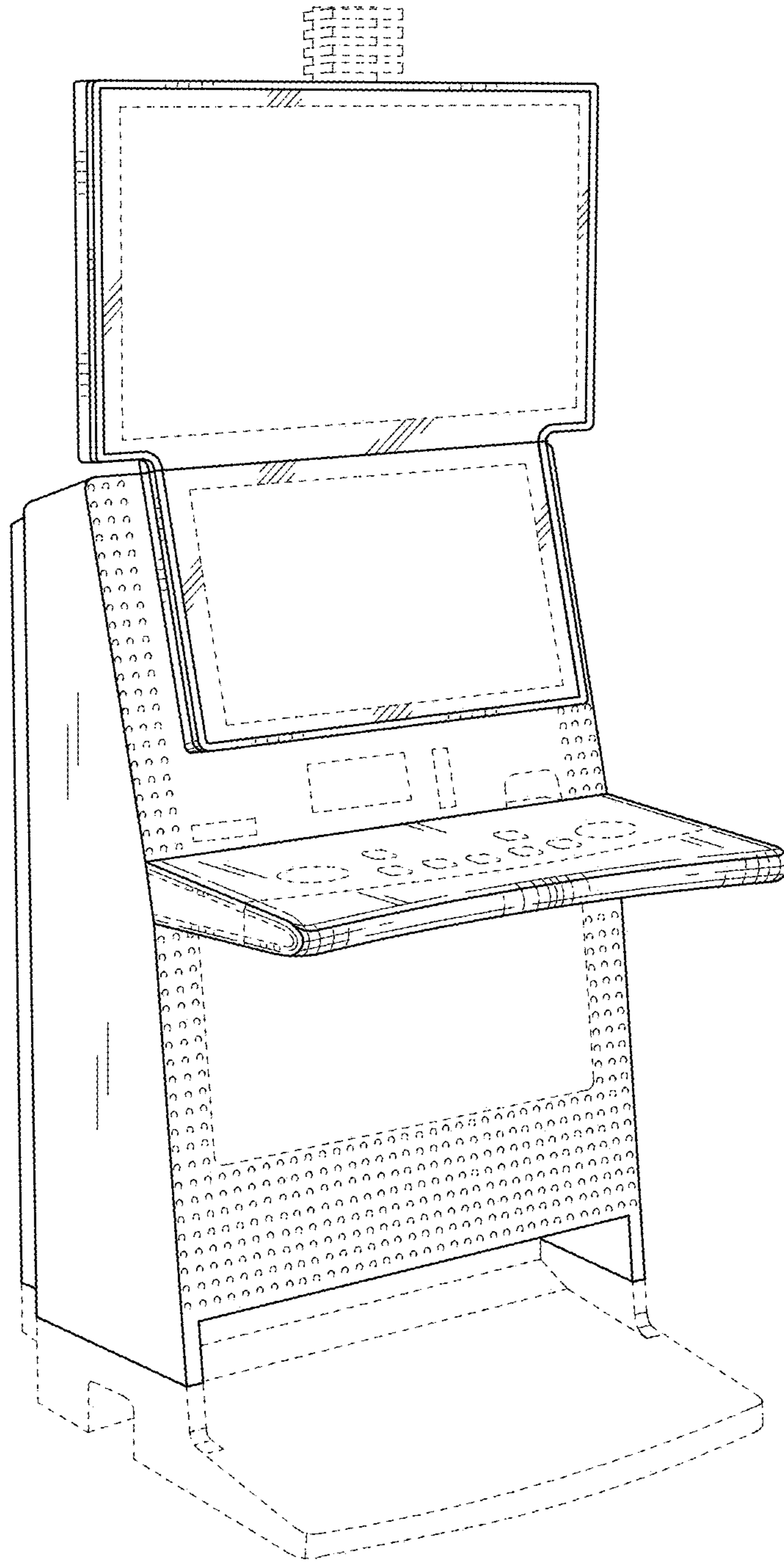


FIG. 1

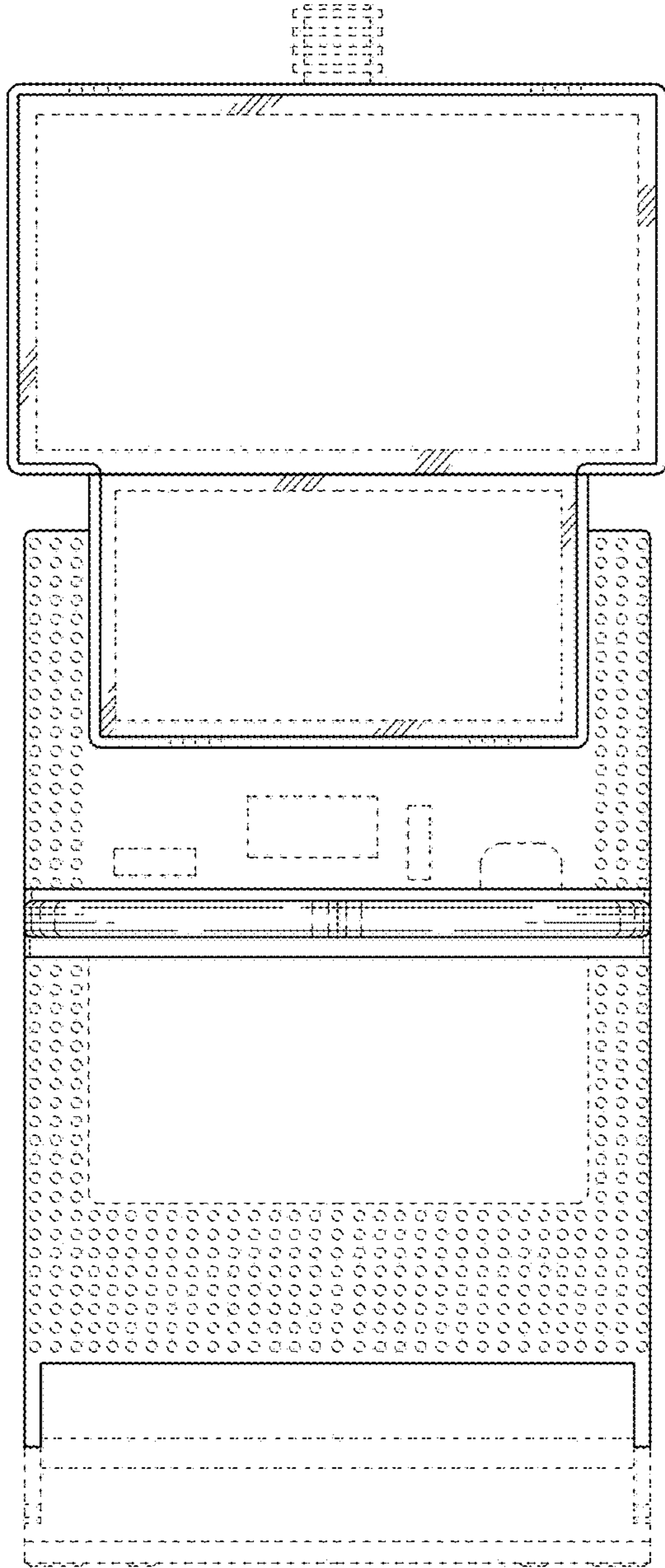


FIG. 2

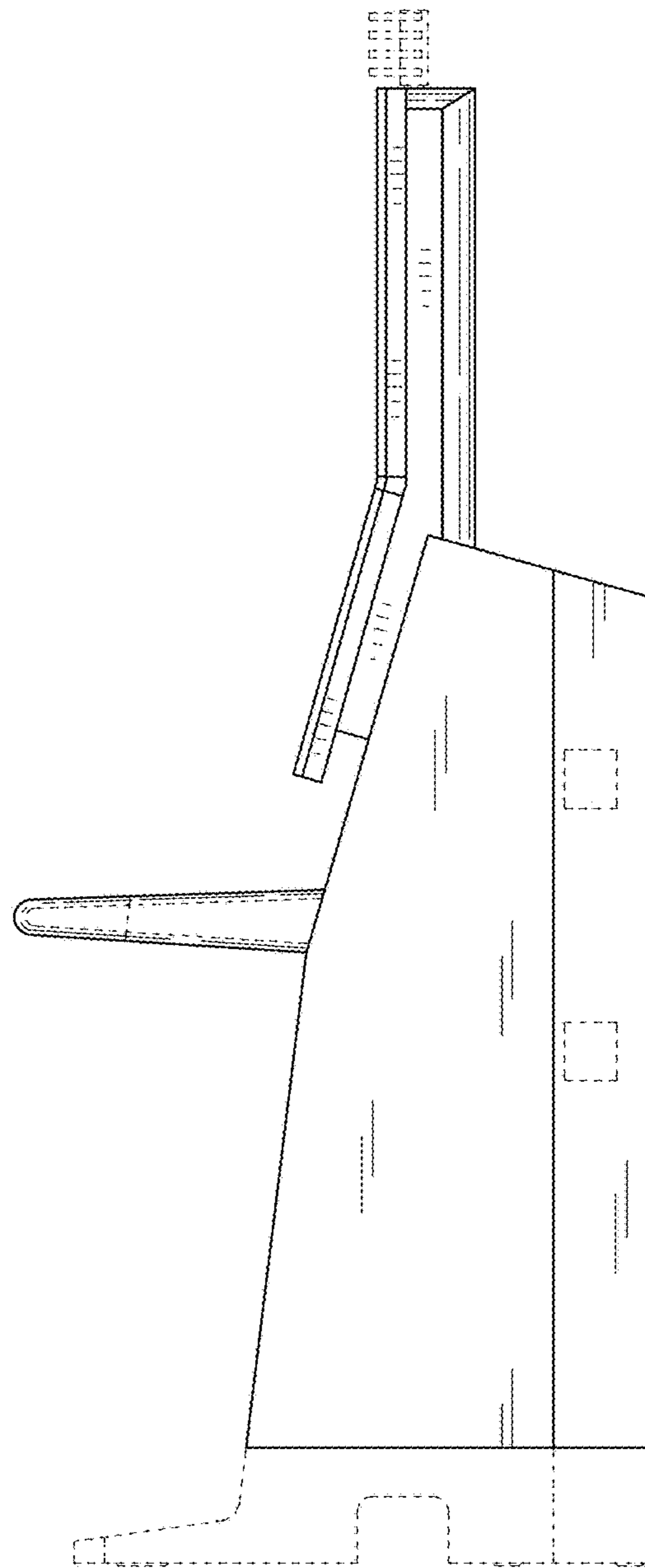


FIG. 3

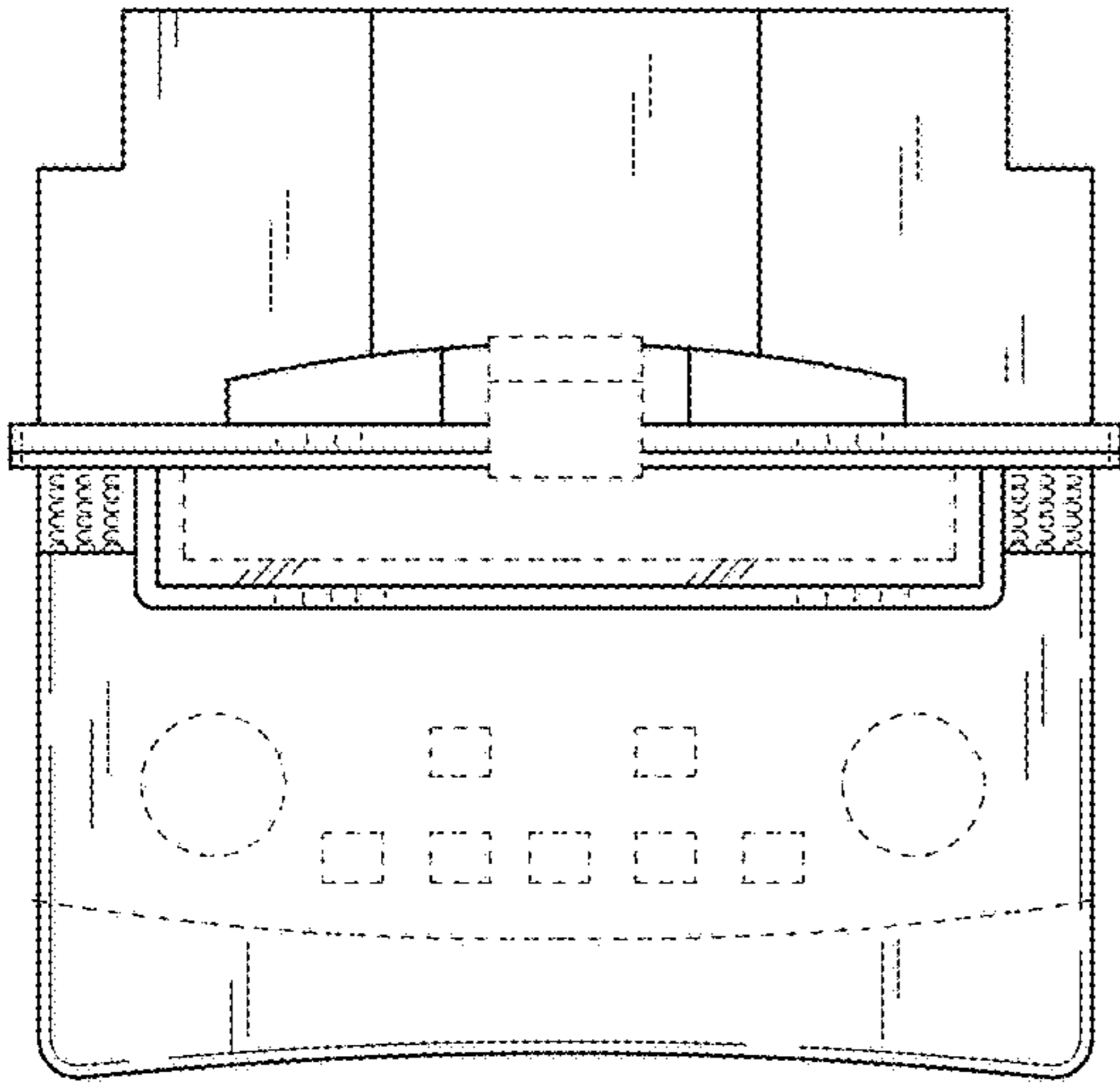


FIG. 4

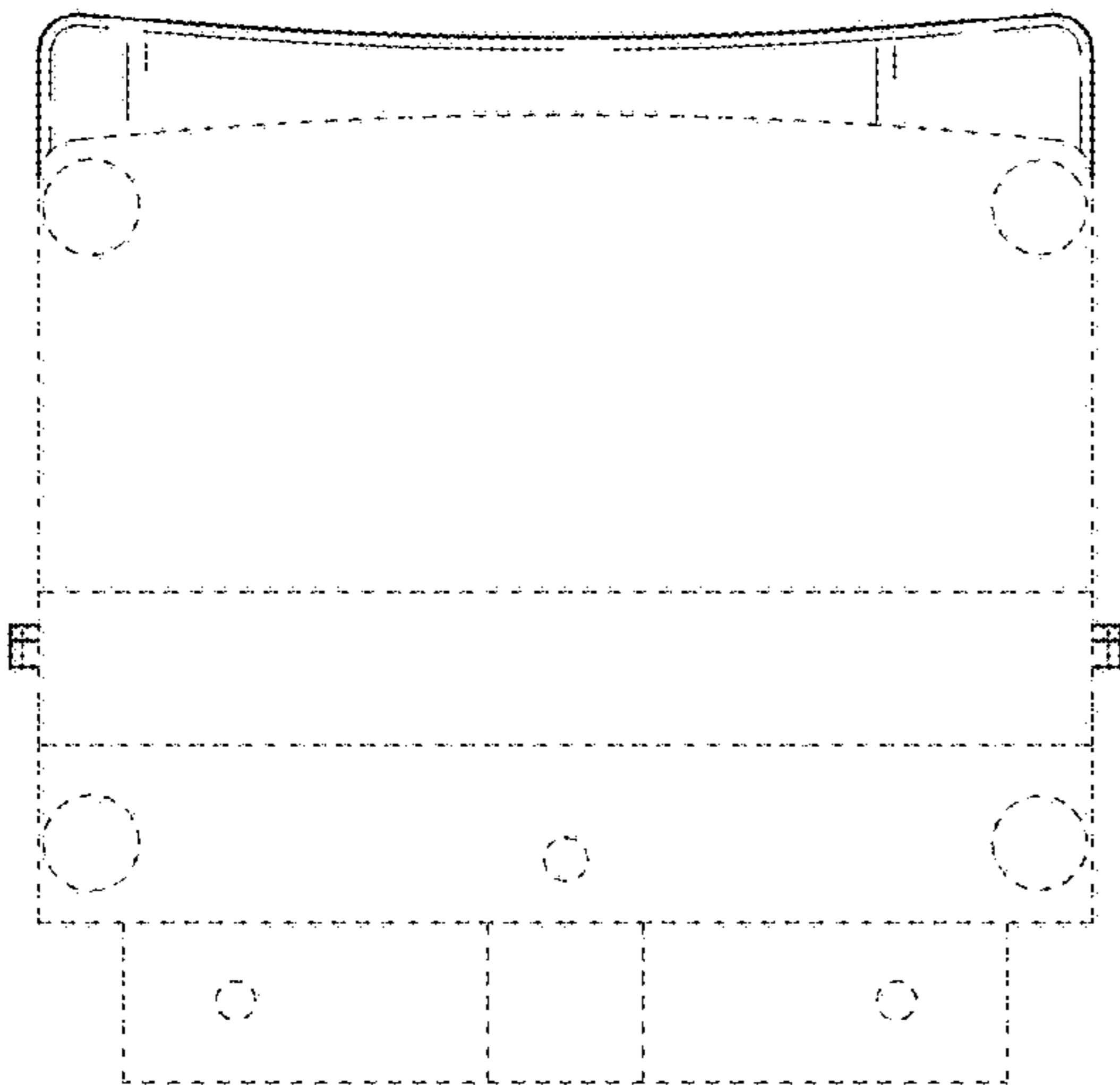


FIG. 5

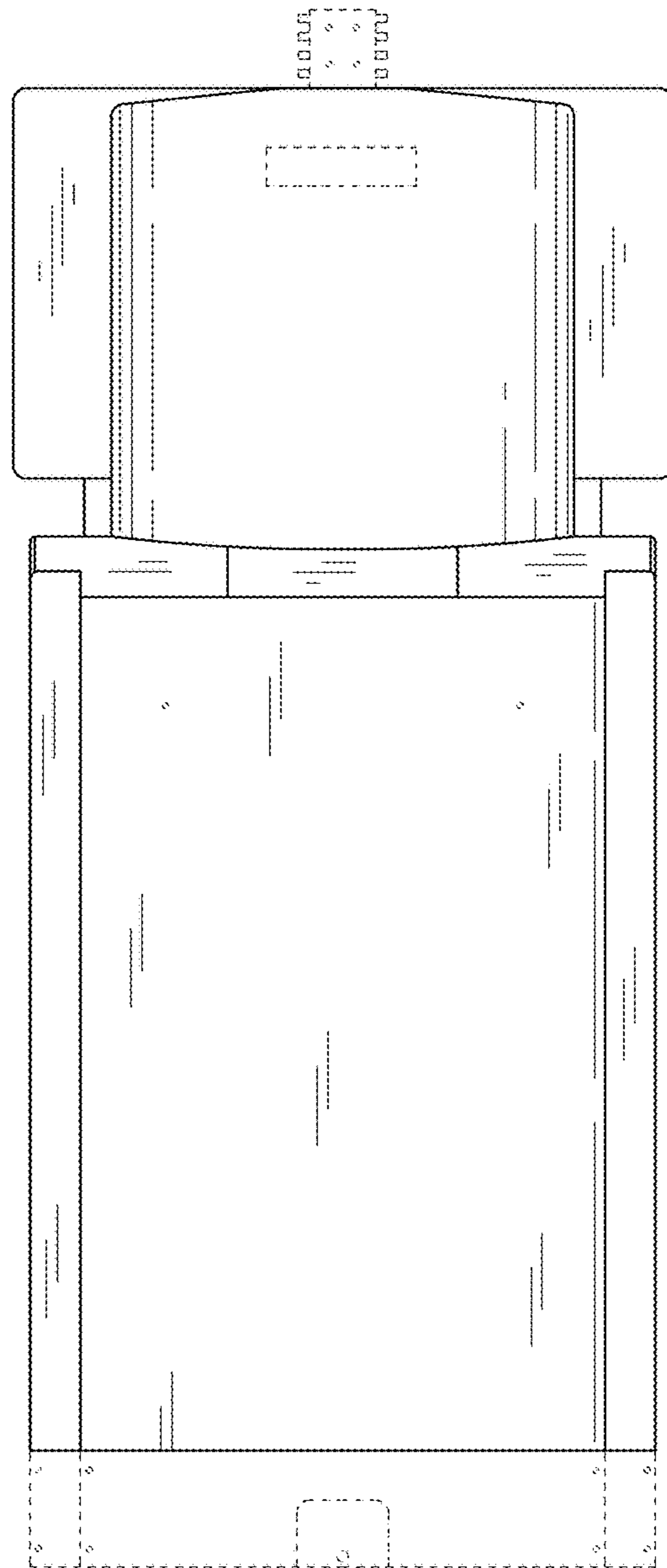


FIG. 6