

US00D865871S

(12) **United States Design Patent** (10) **Patent No.:** **US D865,871 S**
Fernandez-Katz (45) **Date of Patent:** **** Nov. 5, 2019**

(54) **WAND**
(71) Applicant: **BMI MERCHANDISE**, Lakewood, NJ (US)
(72) Inventor: **Shelley Fernandez-Katz**, Lakewood, NJ (US)
(73) Assignee: **PLEXUS FUND III, L.P.**, Raleigh, NC (US)
(**) Term: **15 Years**

D664,657 S * 7/2012 Vieira D24/144
D672,501 S * 12/2012 Kim D28/35
D686,283 S * 7/2013 Block D21/324
D686,284 S * 7/2013 Block D21/324
D696,775 S * 12/2013 Guarraia D24/113
D698,489 S * 1/2014 Byun D28/35
D726,963 S * 4/2015 Sayers D28/35
2007/0270077 A1* 11/2007 Woodhouse A63H 33/009
446/473
2011/0259356 A1* 10/2011 Barton A45D 1/04
132/227
2014/0313299 A1* 10/2014 Gebhardt A61B 1/24
348/66

(21) Appl. No.: **29/644,205**
(22) Filed: **Apr. 16, 2018**
(51) **LOC (12) Cl.** **21-01**
(52) **U.S. Cl.**
USPC **D21/333**
(58) **Field of Classification Search**
USPC D21/324–333, 568; D14/218, 400–416,
D14/426, 440, 454; D13/168; 273/148 B
CPC A63H 33/28; A63H 33/22; A63H 5/00;
H01H 25/04
See application file for complete search history.

OTHER PUBLICATIONS

“Magiquest”, posted Mar. 8, 2015 [online], [retrieved Aug. 16, 2019]. Retrieved from internet, <http://michellescharmworld.blogspot.com/2015/03/magiquest-review-tips.html>.*

* cited by examiner

Primary Examiner — Kevin K Rudzinski
Assistant Examiner — Mehri F Bajoul
(74) *Attorney, Agent, or Firm* — Nath, Goldberg & Meyer; Jerald L. Meyer

(56) **References Cited**

U.S. PATENT DOCUMENTS

D240,339 S * 6/1976 Benty D28/13
D463,501 S * 9/2002 Isetani D21/324
D495,076 S * 8/2004 Mandel D26/37
D507,839 S * 7/2005 Man D26/37
D519,214 S * 4/2006 Lansohn D24/210
D531,334 S * 10/2006 Lin D26/37
D562,481 S * 2/2008 Yick D26/49
D608,919 S * 1/2010 Henry D26/37
D612,968 S * 3/2010 Ma D26/49
D646,023 S * 9/2011 Kim D28/35
D651,343 S * 12/2011 Robson D28/35

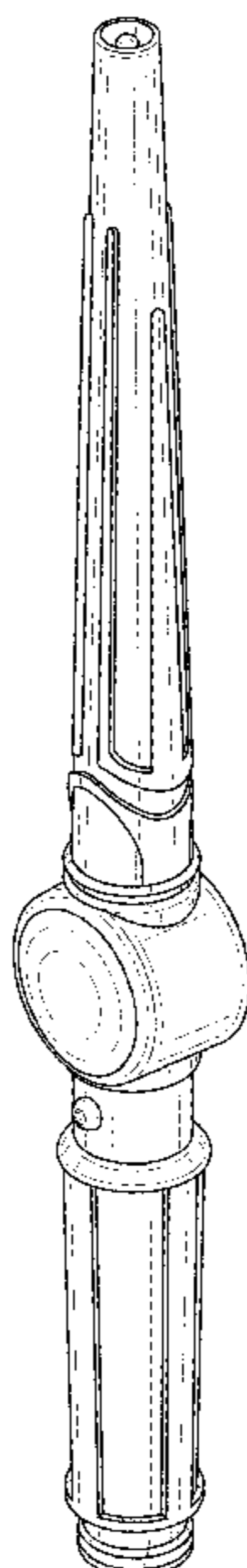
(57) **CLAIM**

The ornamental design for wand, as shown and described.

DESCRIPTION

FIG. 1 is a perspective view of the wand;
FIG. 2 is a front view thereof;
FIG. 3 is a rear view thereof;
FIG. 4 is a left side view thereof;
FIG. 5 is a right side view thereof;
FIG. 6 is a top view thereof; and,
FIG. 7 is a bottom view thereof.

1 Claim, 7 Drawing Sheets



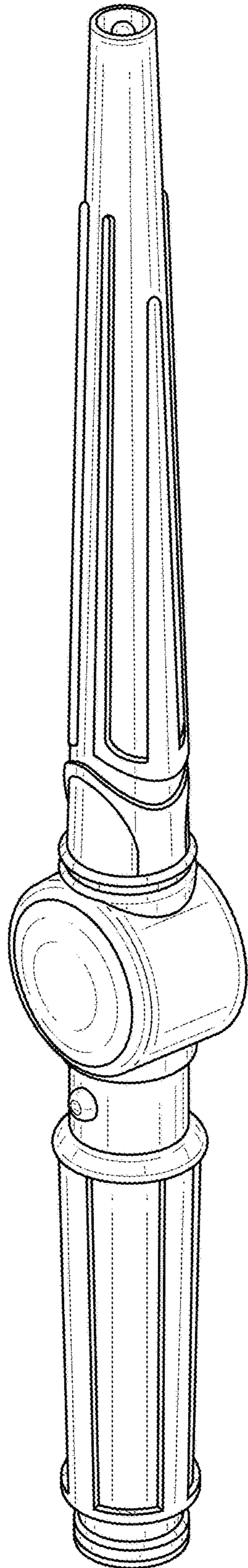


FIG. 1

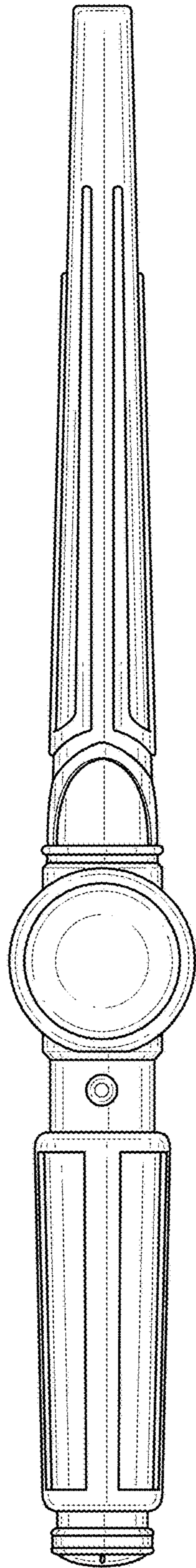


FIG. 2

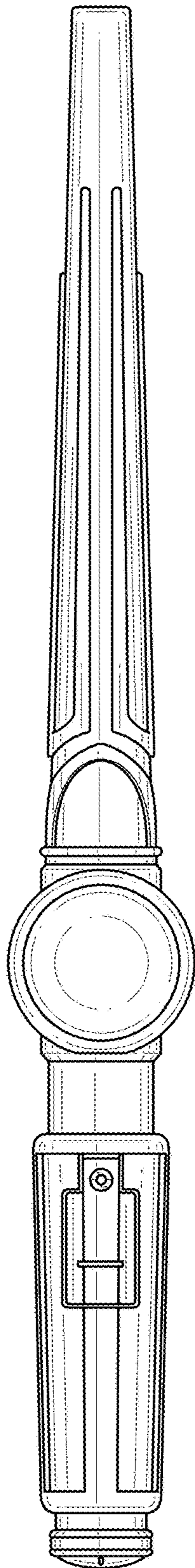


FIG. 3

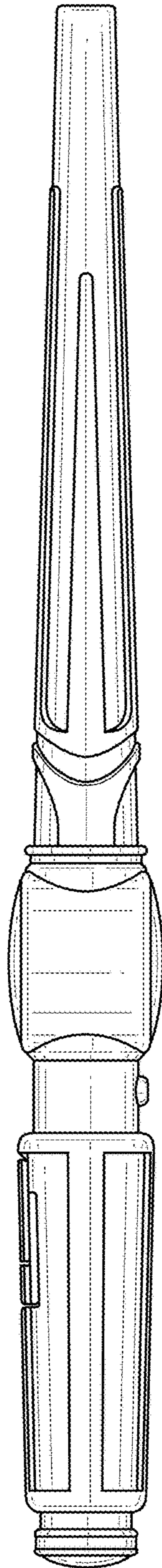


FIG. 4

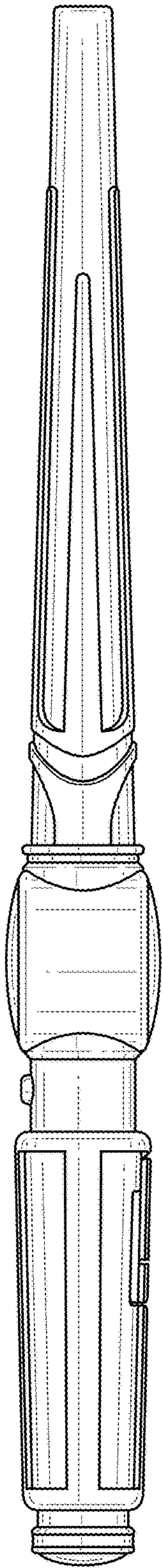


FIG. 5

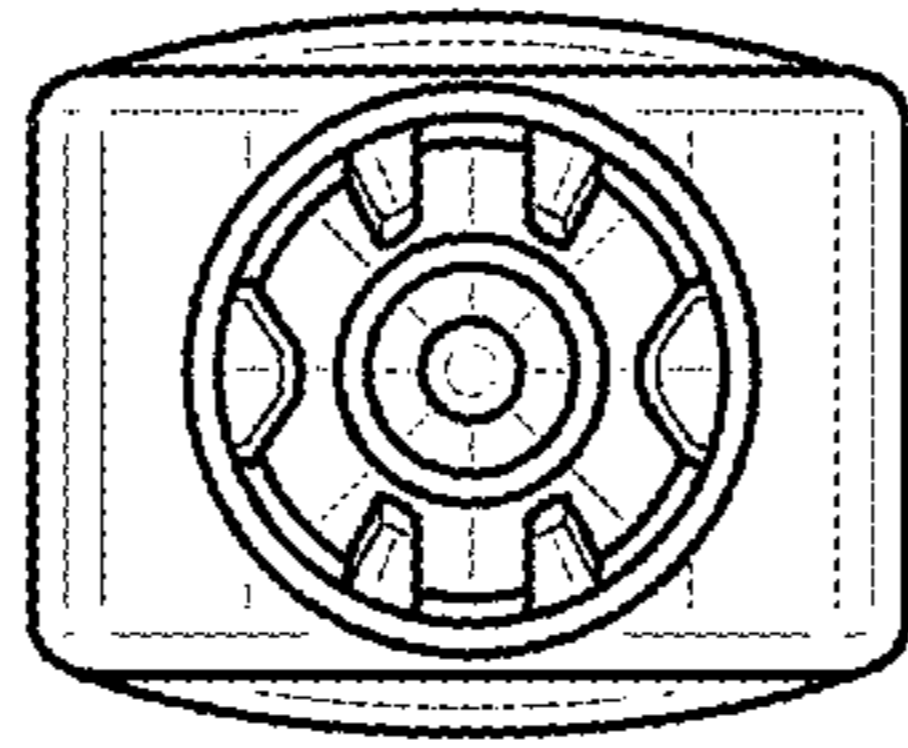


FIG. 6

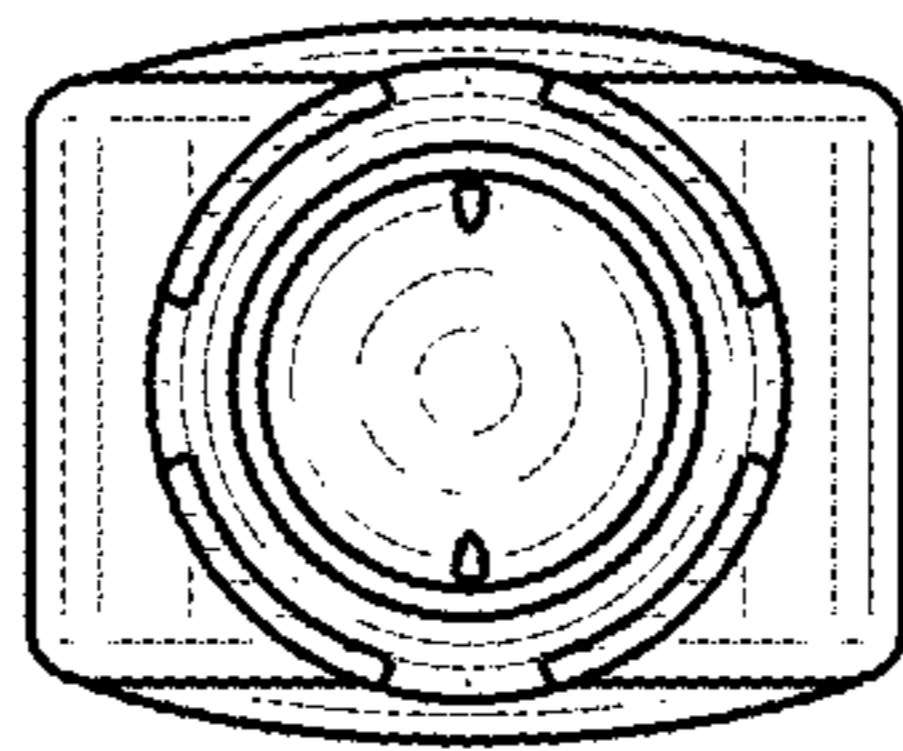


FIG. 7