

US00D865869S

(12) **United States Design Patent**
Shibata

(10) **Patent No.:** **US D865,869 S**

(45) **Date of Patent:** **** Nov. 5, 2019**

(54) **MARKING PEN**

(71) Applicant: **PENTEL KABUSHIKI KAISHA,**
Tokyo (JP)

(72) Inventor: **Tomoaki Shibata,** Tokyo (JP)

(73) Assignee: **PENTEL KABUSHIKI KAISHA (JP)**

(**) Term: **15 Years**

(21) Appl. No.: **29/630,224**

(22) Filed: **Dec. 20, 2017**

(30) **Foreign Application Priority Data**

Jun. 20, 2017 (JP) 2017-013283
Jun. 20, 2017 (JP) 2017-013284

(51) **LOC (12) Cl.** **19-06**

(52) **U.S. Cl.**
USPC **D19/173**

(58) **Field of Classification Search**
USPC D19/115-204; D14/411
CPC . B43K 5/005; B43K 7/12; B43K 8/04; B43K
8/06; B43K 19/00; B43K 19/02; B43K
19/14; B43K 21/006; B43K 21/06
See application file for complete search history.

(56) **References Cited**

U.S. PATENT DOCUMENTS

D146,335 S * 2/1947 Colomy D19/171
2,528,709 A * 11/1950 Raymond B43L 19/0031
15/424
D303,992 S * 10/1989 Grotsch D19/187
D321,719 S * 11/1991 Nitta D19/173
D324,238 S * 2/1992 Nitta D19/173
5,577,850 A * 11/1996 Mishima B43K 21/06
401/83
D472,578 S * 4/2003 Plantz D19/177
D476,685 S * 7/2003 Metaxatos D19/171
7,059,796 B2 * 6/2006 Lewis, Jr. B43K 5/17
401/107
D525,302 S * 7/2006 Togawa D19/172

D551,710 S * 9/2007 Tsuchida D19/174
D559,317 S * 1/2008 Ikeda D19/171
D561,835 S * 2/2008 Nishida D19/196

(Continued)

FOREIGN PATENT DOCUMENTS

JP D1288704 11/2006
JP D1535891 9/2015

OTHER PUBLICATIONS

Notification of Reasons for Refusal together with English language translation thereof, dated Sep. 19, 2017 in Japanese Application No. 2017-013284.

(Continued)

Primary Examiner — Elizabeth A. Albert
(74) *Attorney, Agent, or Firm* — Adams & Wilks

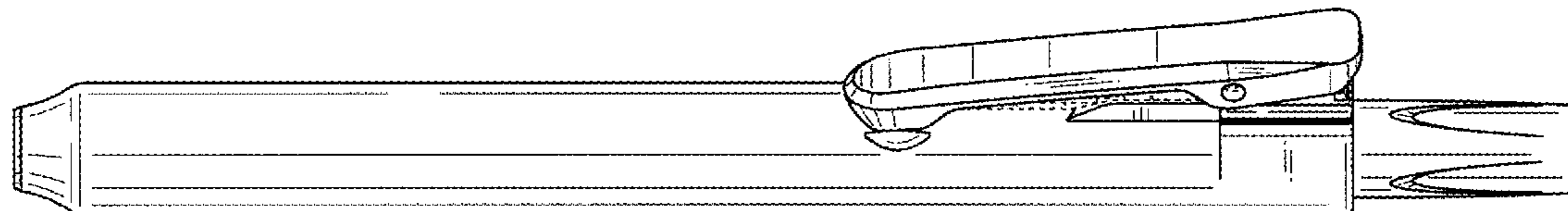
(57) **CLAIM**

The ornamental design for a marking pen, as shown and described.

DESCRIPTION

FIG. 1 is a perspective view of a marking pen showing my new design;
FIG. 2 is a front view thereof;
FIG. 3 is a rear view thereof;
FIG. 4 is a left side view thereof;
FIG. 5 is a right side view thereof;
FIG. 6 is a top view thereof;
FIG. 7 is a bottom view thereof;
FIG. 8 is an enlarged left side view thereof; and,
FIG. 9 is an enlarged right side view thereof.
The broken lines showing portions of the left and right sides in FIGS. 1, and 4 through 9 are included for the purpose of illustrating parts of the marking pen that no part of the claimed design.

1 Claim, 4 Drawing Sheets



(56)

References Cited

U.S. PATENT DOCUMENTS

7,341,388 B2 * 3/2008 Carroll B43K 8/028
 401/107
 D569,909 S * 5/2008 Shibata D19/173
 D570,914 S * 6/2008 Satoh D19/195
 D574,429 S * 8/2008 Kusaba D19/172
 D575,819 S * 8/2008 Nishida D19/172
 D582,979 S * 12/2008 Leibeck D19/173
 D603,451 S * 11/2009 Gerules D19/172
 D612,888 S * 3/2010 Rolion D19/171
 D613,337 S * 4/2010 Pearson D19/174
 D629,461 S * 12/2010 Shibata D19/173
 7,850,382 B2 * 12/2010 Hayes B43K 8/028
 251/298
 D631,915 S * 2/2011 Stukenkemper D19/187
 D641,784 S * 7/2011 Lira-Nunez D19/171
 D643,877 S * 8/2011 Soetewey D19/171
 D653,706 S * 2/2012 Lira-Nunez D19/201
 D660,357 S * 5/2012 Lira-Nunez D19/172

8,245,359 B2 * 8/2012 Fujihara B43K 25/02
 24/11 HC
 8,246,265 B2 * 8/2012 Hayes B43K 8/028
 251/228
 8,393,814 B2 * 3/2013 Challman B43K 8/028
 401/108
 D701,573 S * 3/2014 Ikeda D19/171
 9,784,294 B2 * 10/2017 Uchida A45D 34/04
 2009/0142124 A1 * 6/2009 Dylkiewicz B43K 5/17
 401/108
 2009/0165261 A1 * 7/2009 Furukawa B43K 23/126
 24/11 R

OTHER PUBLICATIONS

Notification of Reasons for Refusal together with English language translation thereof, dated Sep. 19, 2017 in Japanese Application No. 2017-013283.

* cited by examiner

Fig. 1

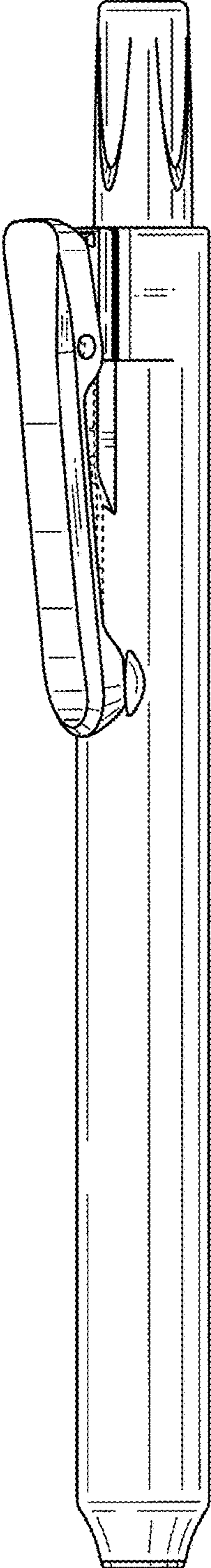


Fig. 2

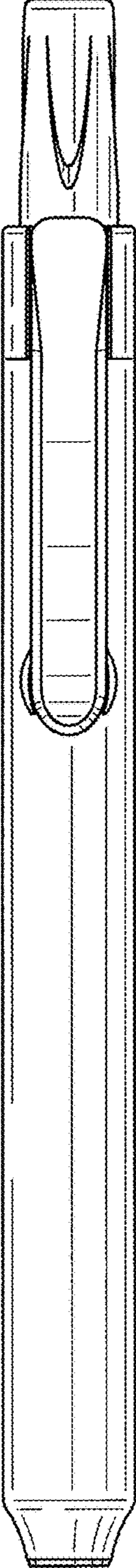


Fig. 3

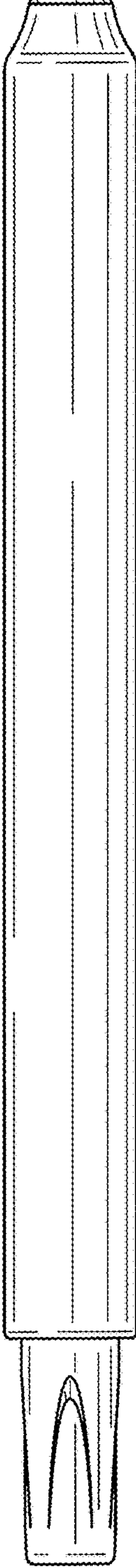


Fig. 4

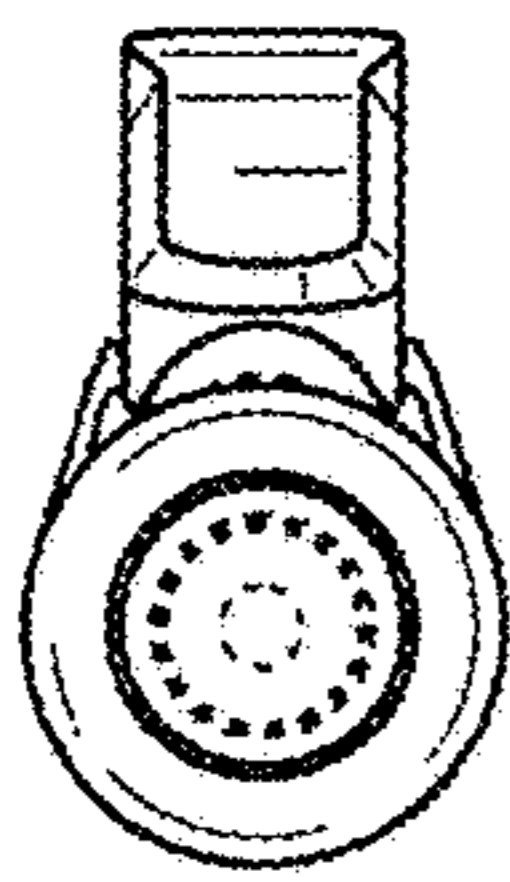


Fig. 5

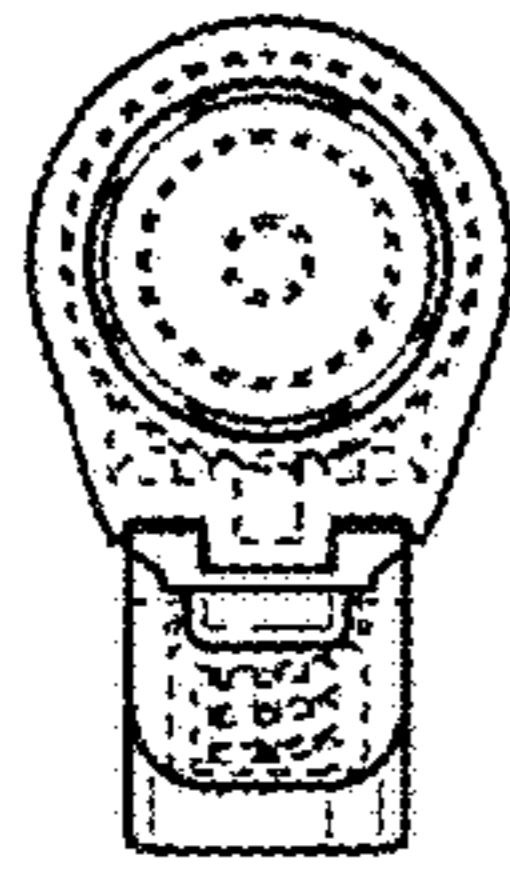


Fig. 6

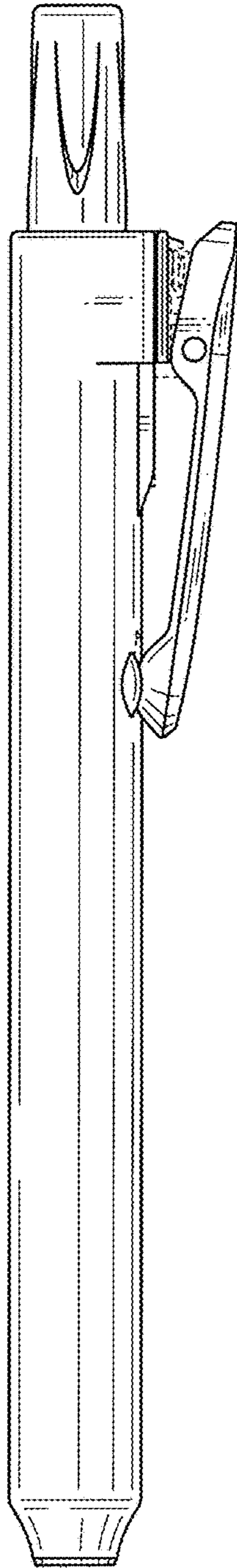


Fig. 7

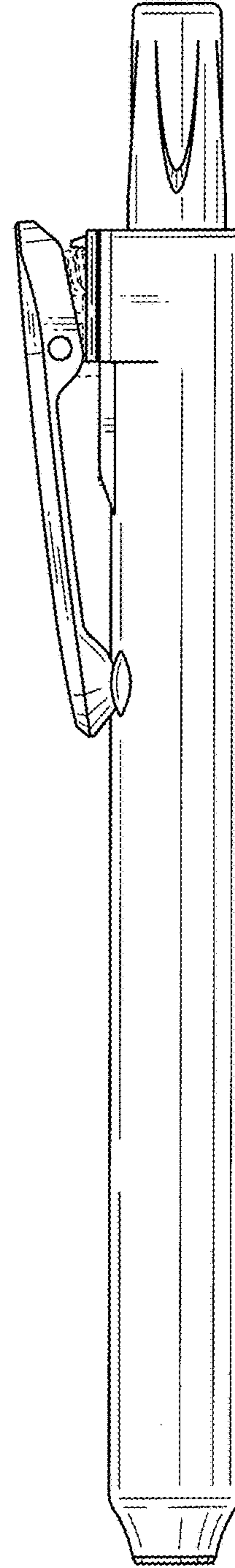


Fig. 8

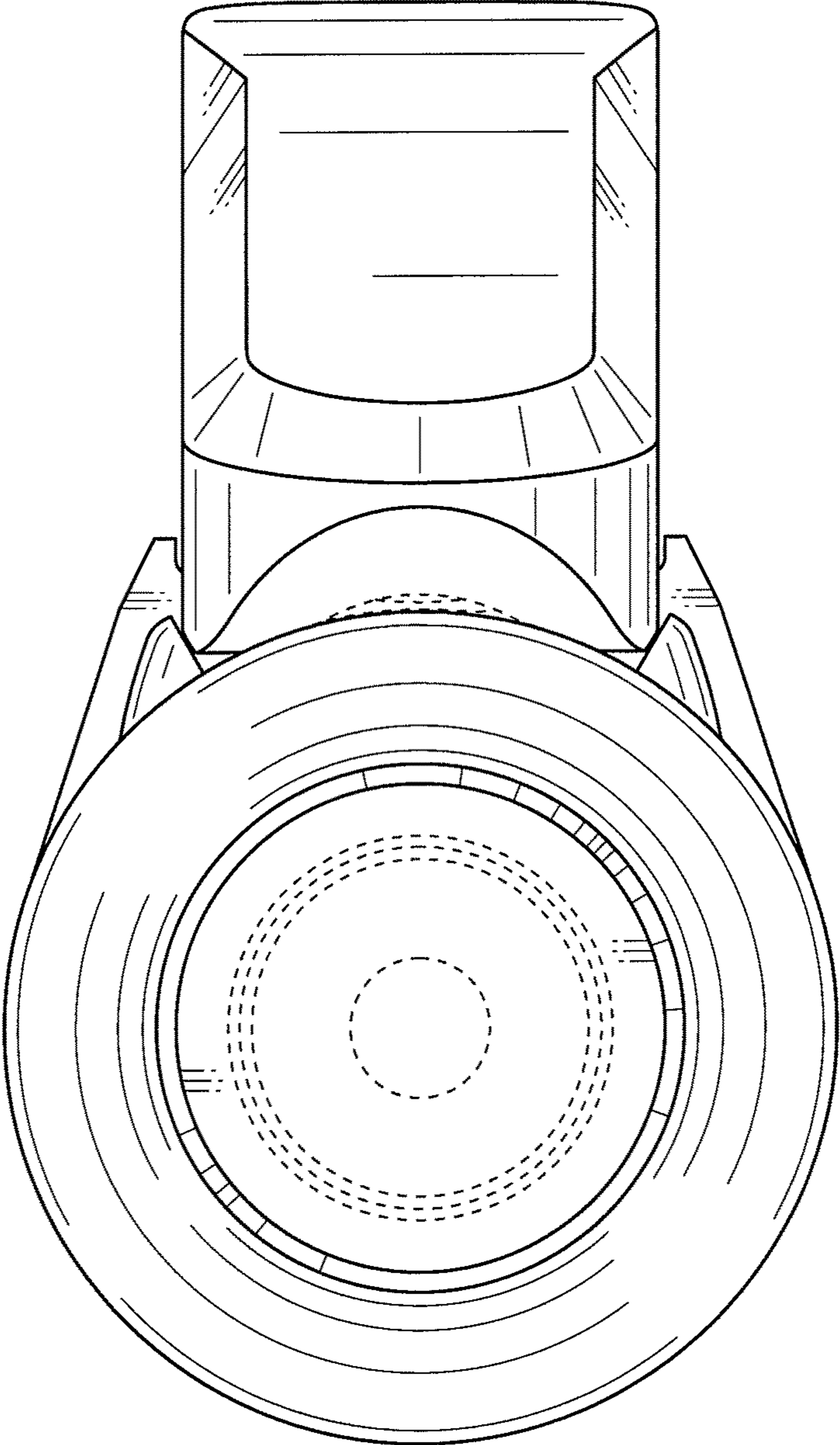


Fig. 9

