



US00D865868S

(12) **United States Design Patent**
Storlid et al.

(10) **Patent No.:** **US D865,868 S**

(45) **Date of Patent:** **** Nov. 5, 2019**

- (54) **CARD HOLDER**
- (71) Applicant: **Cardbeenie, LLC**, Sun Prairie, WI (US)
- (72) Inventors: **Kayla Storlid**, Sun Prairie, WI (US);
Scott Filter, Cambridge, WI (US);
Donald Muehlbauer, West Bend, WI (US)
- (73) Assignee: **Kayla Storlid**, Sun Prairie, WI (US)
- (**) Term: **15 Years**
- (21) Appl. No.: **29/637,018**
- (22) Filed: **Feb. 13, 2018**
- (51) **LOC (12) Cl.** **19-02**
- (52) **U.S. Cl.**
USPC **D19/75**
- (58) **Field of Classification Search**
USPC D19/3, 75, 77-78, 86-92; D3/313, 901;
D6/553, 566, 560, 570; D7/590, 601,
D7/640, 641; D28/73
CPC A45C 11/182; A45C 11/184; A45C 1/00;
A45C 1/06; A47B 63/00; B42D 5/005;
B42D 5/006; B42D 5/007; B43M 99/00;
B43M 99/001; B43M 99/006; B43M
99/007; B43M 99/008; B43M 99/009
See application file for complete search history.

(56) **References Cited**

U.S. PATENT DOCUMENTS

- 270,108 A * 1/1883 Pennington G09F 3/18
40/653
- 413,371 A * 10/1889 O'Brien B42F 21/00
283/42
- 1,723,808 A * 8/1929 Raschick B42D 5/005
281/19.1
- 1,840,783 A * 1/1932 McCarthy B42D 5/005
211/11

- 2,450,008 A * 9/1948 Lomholt G09F 3/20
40/661.08
- 2,643,474 A * 6/1953 Grenot G09F 5/02
206/39
- 3,446,260 A 5/1969 Osher
- 3,671,004 A * 6/1972 Cram A47G 1/17
24/67 AR
- 4,480,250 A 10/1984 McNeely
- 4,829,690 A 5/1989 Andros
- 4,927,146 A * 5/1990 Bull A63F 1/10
273/150
- 5,020,255 A * 6/1991 Rodel A45C 11/182
206/37.1
- 5,279,019 A 1/1994 Knickle
- 5,718,329 A 2/1998 Ippolito et al.
- D406,275 S * 3/1999 Wright D19/20
- 6,182,938 B1 * 2/2001 Wright A47G 1/21
211/45
- 6,257,422 B1 * 7/2001 Rios A47F 7/143
211/45
- 6,427,836 B1 * 8/2002 Bolanos A45C 11/182
150/148

(Continued)

Primary Examiner — Elizabeth A. Albert

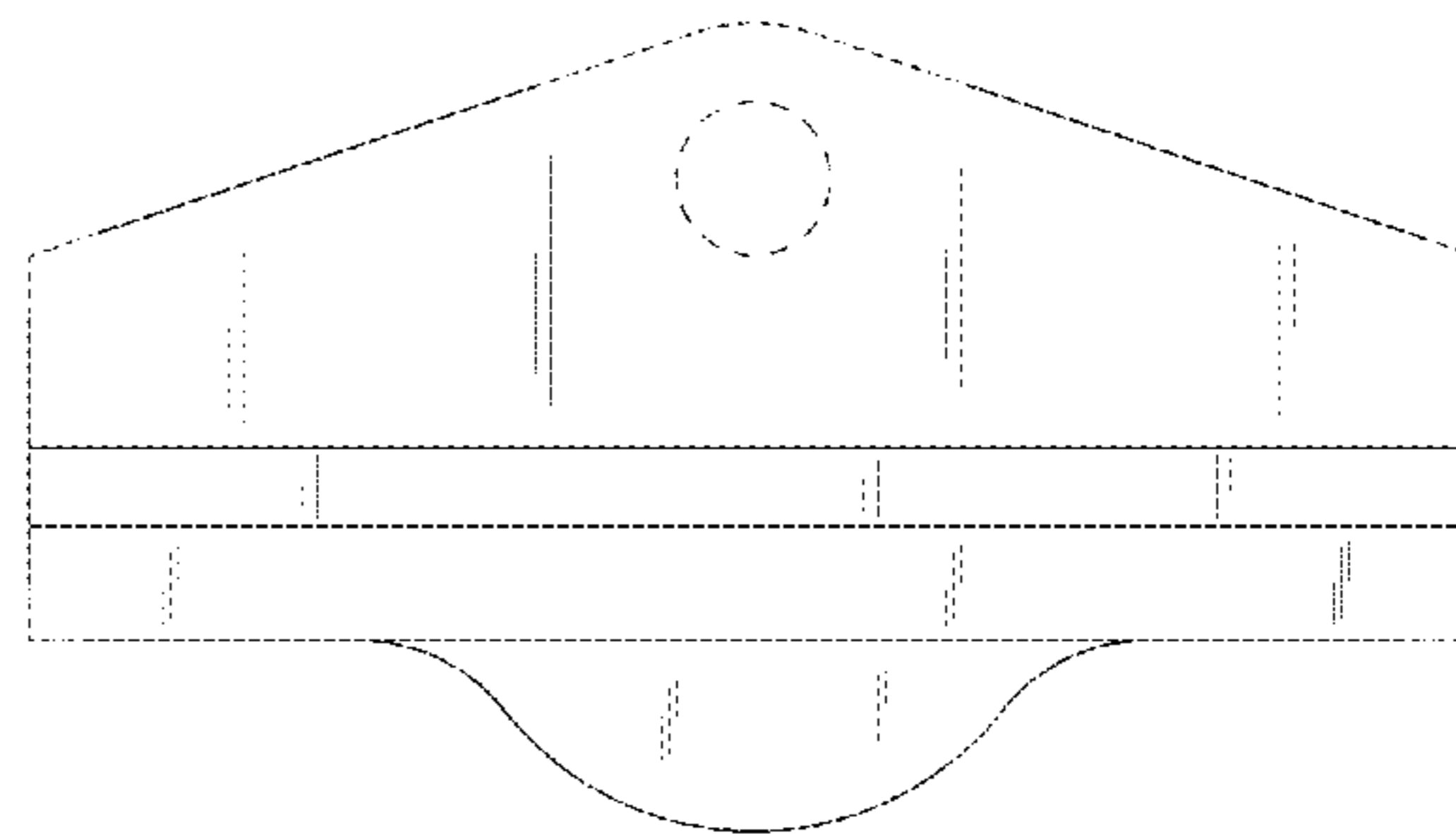
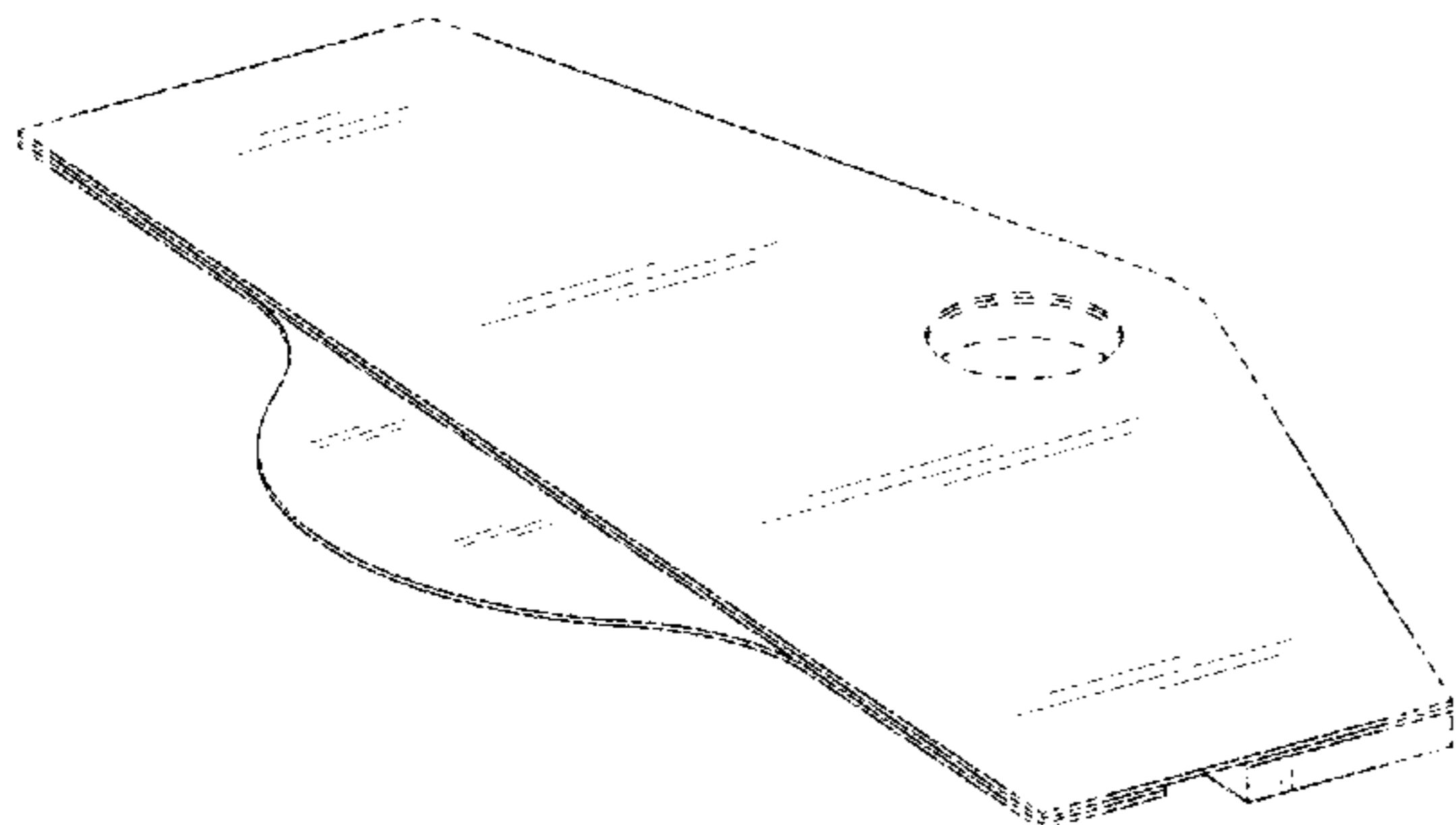
(57) **CLAIM**

The ornamental design for a card holder, substantially as shown and described.

DESCRIPTION

FIG. 1 is a perspective view of a card holder showing our new design;
 FIG. 2 is a top plan view of FIG. 1;
 FIG. 3 is a bottom plan view of FIG. 1;
 FIG. 4 is a right side view of FIG. 1;
 FIG. 5 is a rear side view of FIG. 1;
 FIG. 6 is a front side view of FIG. 1; and,
 FIG. 7 is an exploded view of FIG. 1.
 The broken lines in the figures illustrate portions of the card holder that form no part of the claimed design.

1 Claim, 6 Drawing Sheets



(56)

References Cited

U.S. PATENT DOCUMENTS

6,532,691 B2 * 3/2003 Carlin G09F 11/00
40/490
6,823,910 B1 * 11/2004 Elnekaveh A45C 1/06
150/147
D528,161 S * 9/2006 Berquist D19/20
7,389,599 B2 * 6/2008 Hishinuma G09F 3/20
40/375
D607,061 S * 12/2009 Kosir D20/44
7,707,757 B2 * 5/2010 Crowell G09F 11/30
40/490
8,209,890 B2 * 7/2012 Beyer, Jr. B42D 5/005
24/303
8,708,302 B2 * 4/2014 Wilder B42D 5/046
248/452
D731,590 S * 6/2015 Williams D19/20
9,173,474 B2 * 11/2015 Winterburg A45F 5/00
2012/0292206 A1 * 11/2012 Casella A45C 11/182
206/232

* cited by examiner

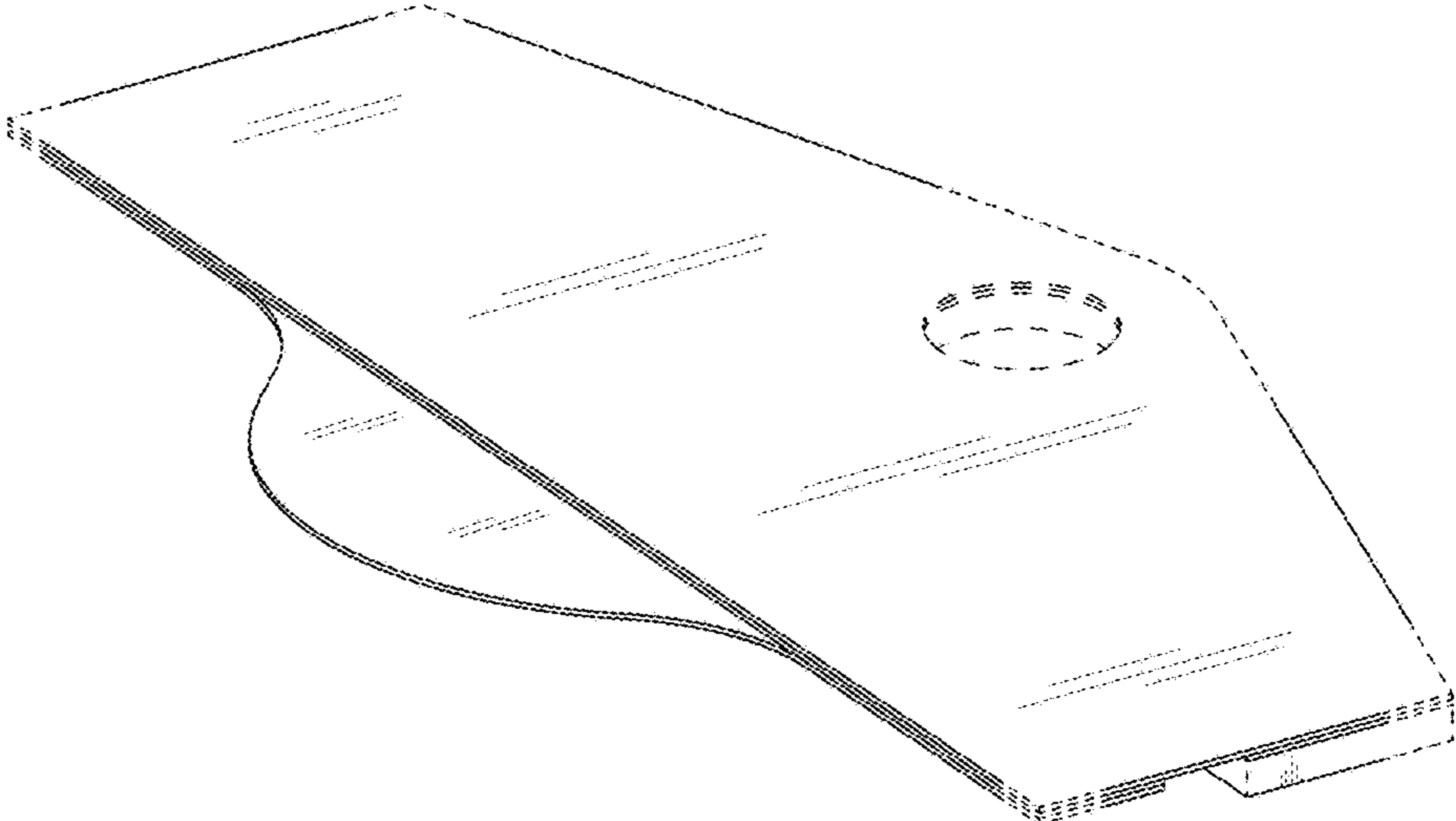


FIG. 1

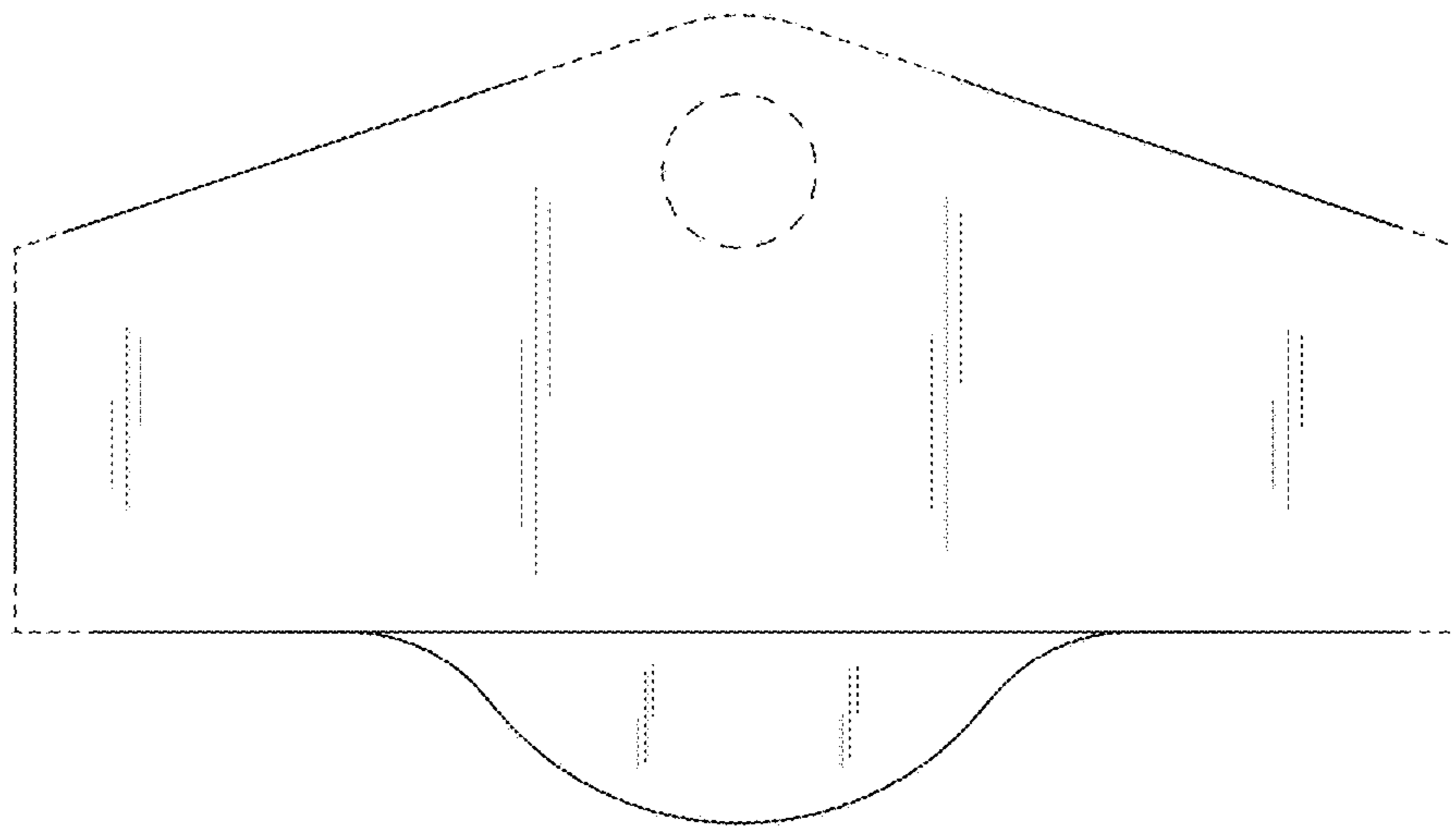


FIG. 2

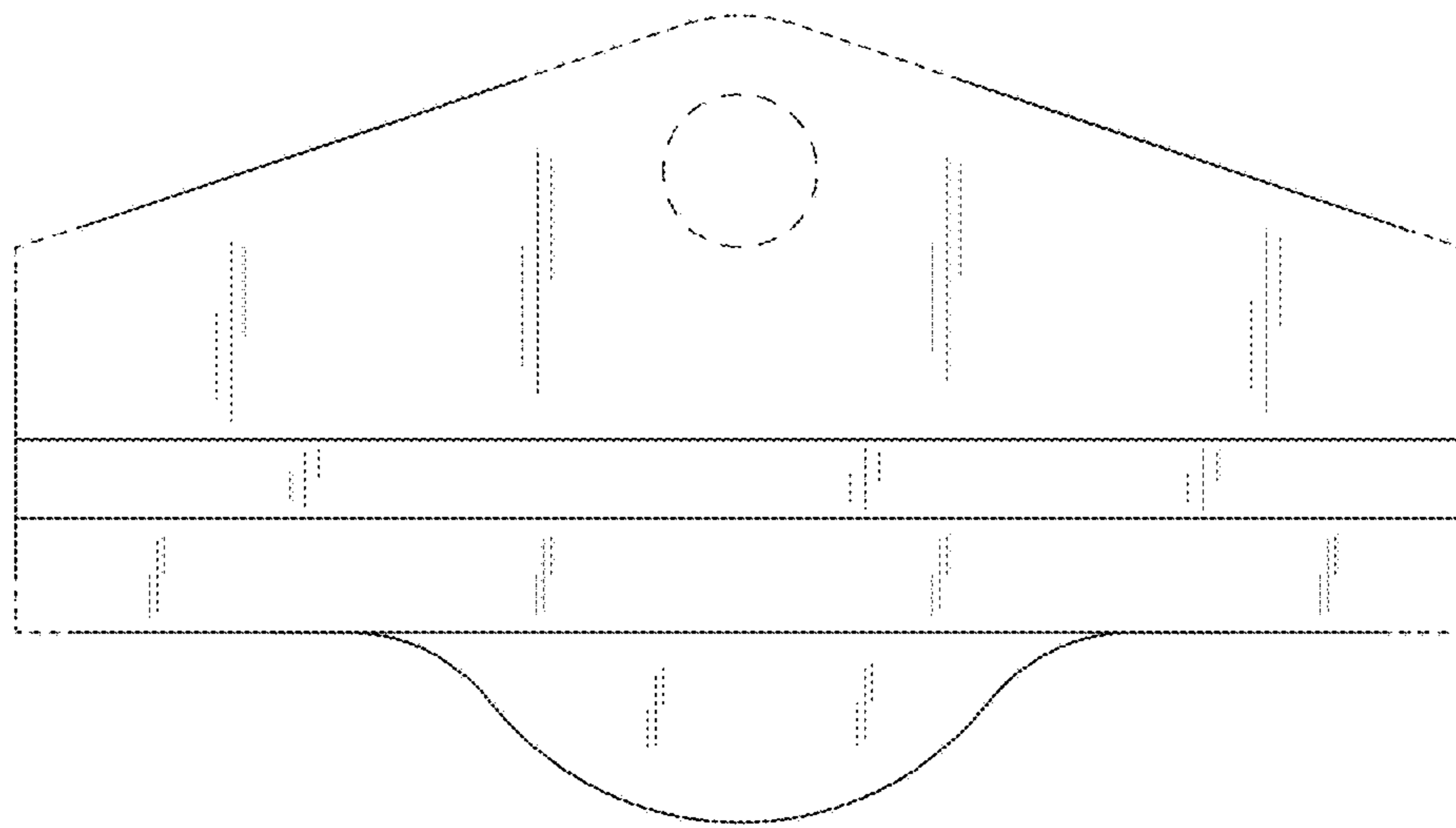


FIG. 3



FIG. 4



FIG. 5

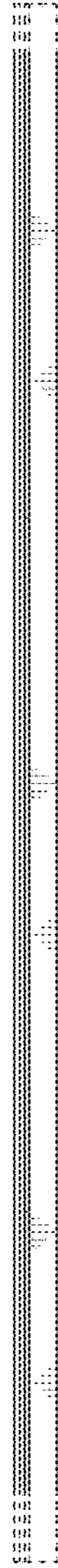


FIG. 6

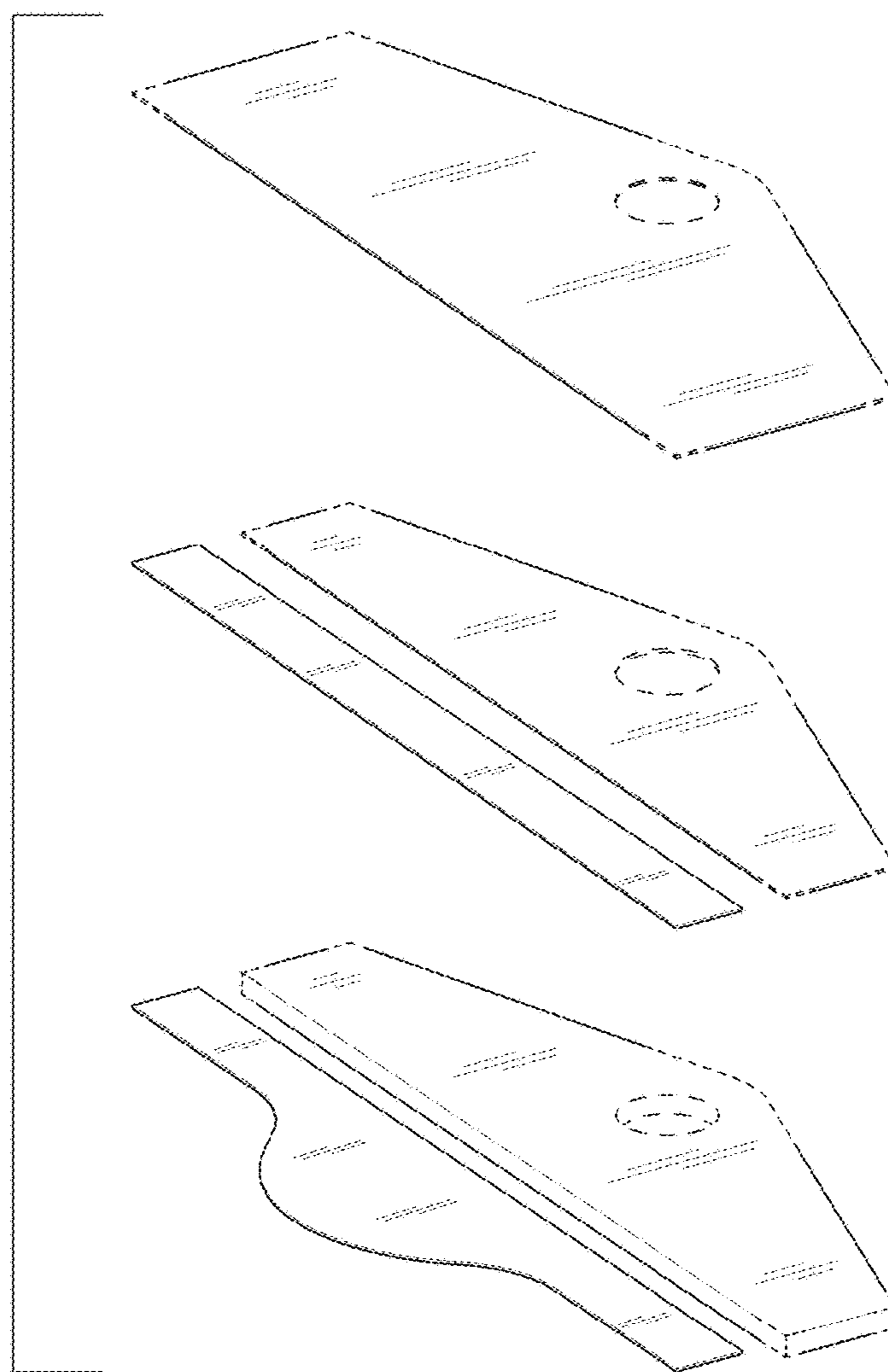


FIG. 7