



US00D865863S

(12) **United States Design Patent** (10) **Patent No.:** **US D865,863 S**
Sato et al. (45) **Date of Patent:** **** *Nov. 5, 2019**

(54) **TAPE FOR TAPE PRINTING MACHINE**

(56) **References Cited**

(71) Applicant: **BROTHER INDUSTRIES, LTD.**,
Nagoya-shi, Aichi-ken (JP)
(72) Inventors: **Yukihiko Sato**, Nagoya (JP); **Takaaki Banno**, Nagoya (JP); **Tsutomu Kato**,
Nagoya (JP); **Haruki Matsumoto**,
Nagoya (JP); **Yukiko Takami**, Inazawa
(JP); **Harumitsu Inoue**, Toki (JP);
Shimako Nakai, Nagoya (JP)

U.S. PATENT DOCUMENTS

D595,348 S *	6/2009	Joseph	D19/1
D786,350 S *	5/2017	Nakai	D19/1
D786,351 S *	5/2017	Nakai	D19/1
D786,352 S *	5/2017	Nakai	D19/1
D786,353 S *	5/2017	Nakai	D19/1
D786,972 S *	5/2017	Nakai	D19/1
D833,526 S *	11/2018	Nakai	D19/1

* cited by examiner

(73) Assignee: **BROTHER INDUSTRIES, LTD.**,
Nagoya (JP)

Primary Examiner — Abraham Bahta

(74) *Attorney, Agent, or Firm* — Oliff PLC

(*) Notice: This patent is subject to a terminal disclaimer.

(**) Term: **15 Years**

(57) **CLAIM**

The ornamental design for a tape for tape printing machine, as shown and described.

(21) Appl. No.: **29/615,390**

(22) Filed: **Aug. 29, 2017**

DESCRIPTION

(30) **Foreign Application Priority Data**

Mar. 1, 2017 (JP) 2017-004168

(51) **LOC (12) Cl.** **19-01**

(52) **U.S. Cl.**
USPC **D19/1**

(58) **Field of Classification Search**
USPC D19/1-12, 20-34, 69, 67; D24/189;
D5/99; 33/494, 758, 755; 40/638;
428/43, 42.3, 343, 40.1; D20/22, 42;
D18/52, 14, 54, 36, 37; 400/56
CPC ... B41J 11/663; B41J 11/44; B41J 3/46; B41J
33/14; B41J 35/28; B42D 15/00; B42D
15/022; B42D 15/045; B42D 15/027;
B42D 15/042; B42D 25/00; B42D 25/20;
B42D 25/23; B42D 25/26; B42D 25/29;
B42D 25/30; B42D 25/285
See application file for complete search history.

FIG. 1 is a perspective view of a tape for tape printing machine;

FIG. 2 is a front view thereof;

FIG. 3 is a top view thereof;

FIG. 4 is a right-side view thereof;

FIG. 5 is a left-side view thereof;

FIG. 6 is a rear view thereof;

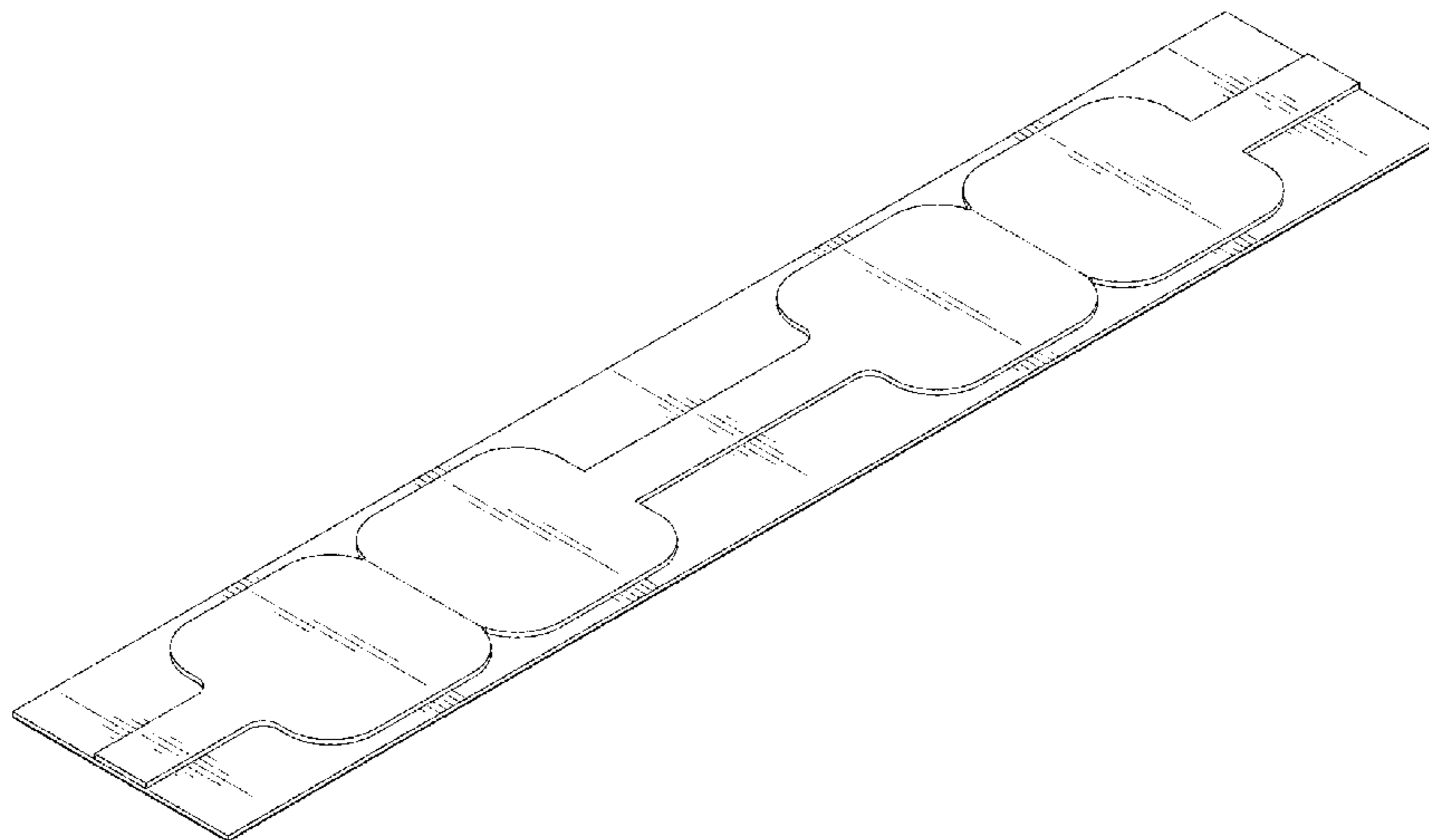
FIG. 7 is a bottom view thereof;

FIG. 8 is a reference view thereof showing sample positions for label cutting; and,

FIG. 9 is a reference view thereof showing use after label cutting.

The evenly spaced broken lines depict environmental subject matter only and form no part of the claimed design. The dot-dash chain lines depict sample positions for label cutting and form no part of the claimed design.

1 Claim, 4 Drawing Sheets



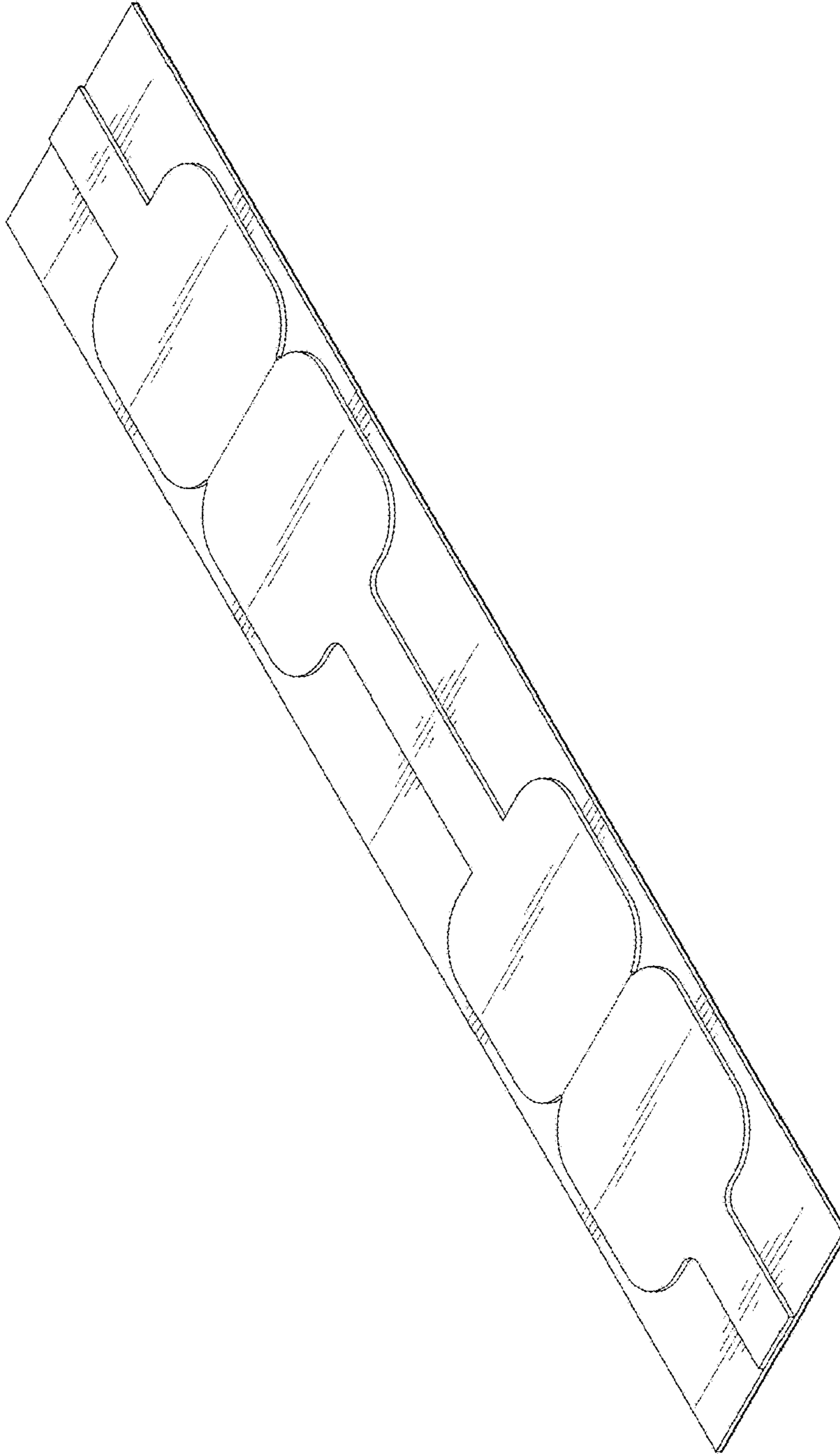


FIG. 1

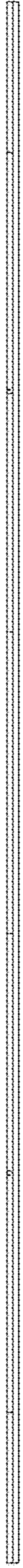


FIG. 2

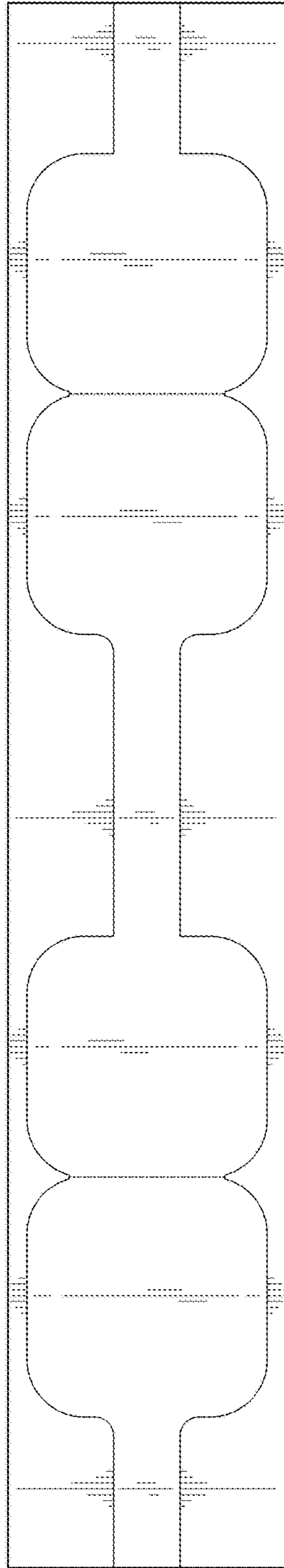


FIG. 3

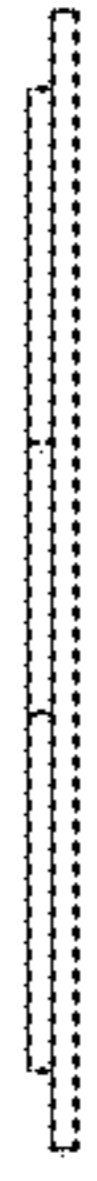


FIG. 4

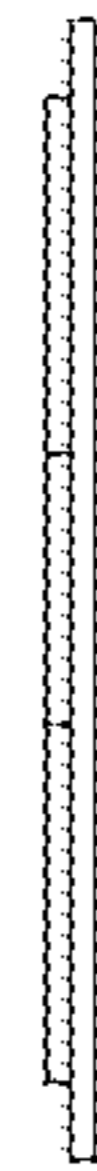


FIG. 5

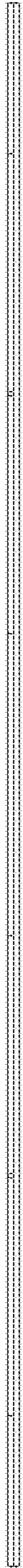


FIG. 6

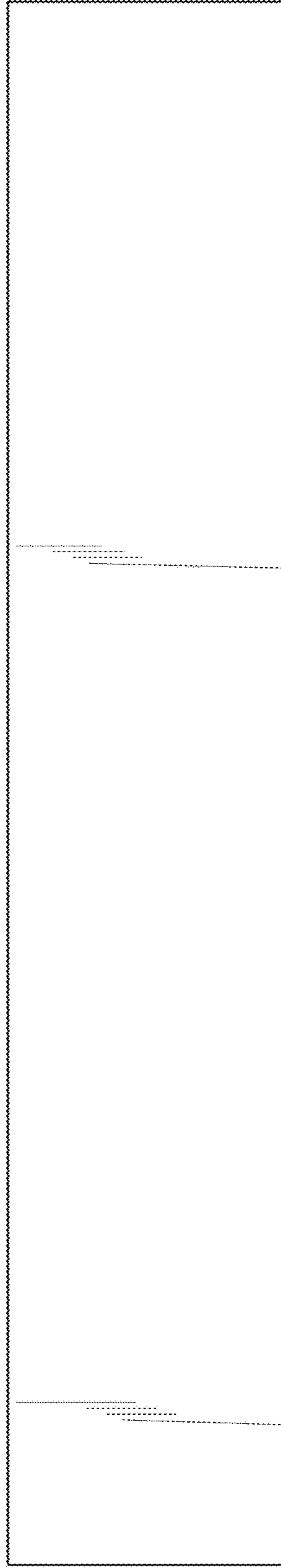


FIG. 7

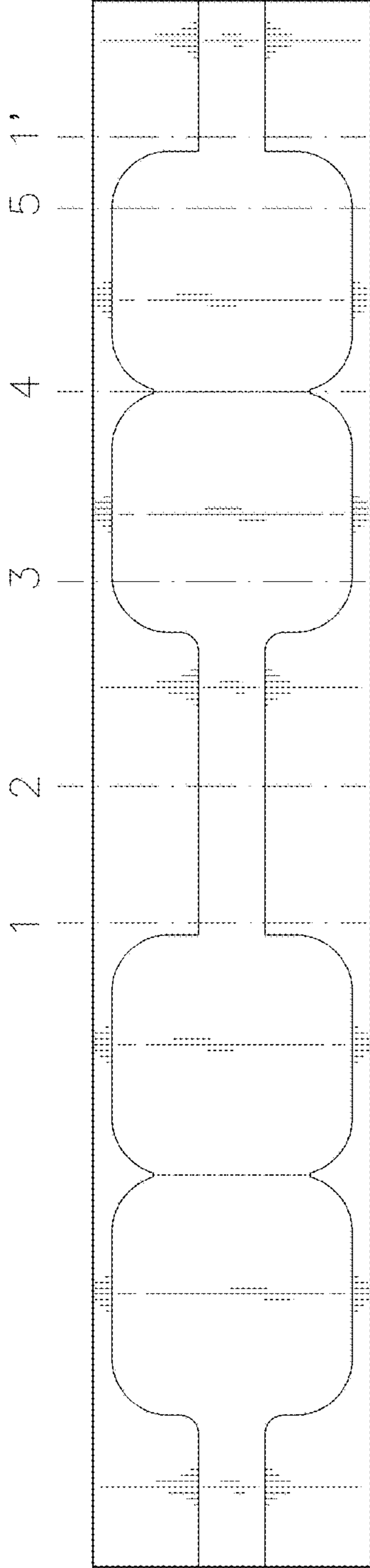


FIG. 8

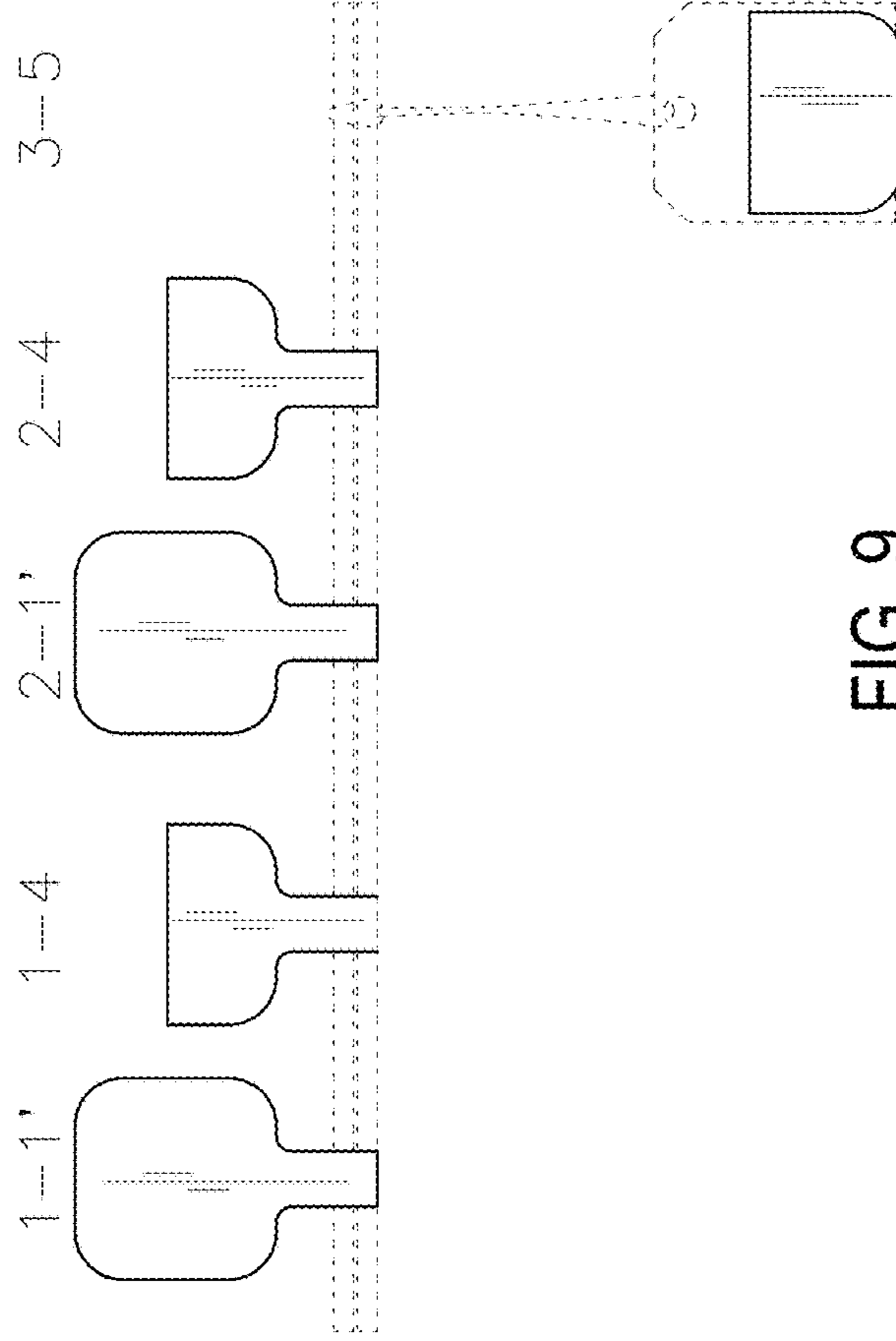


FIG. 9