



US00D865861S

(12) **United States Design Patent** (10) **Patent No.:** **US D865,861 S**
Nishihara et al. (45) **Date of Patent:** **** Nov. 5, 2019**

(54) **TAPE CARTRIDGE FOR TAPE PRINTING MACHINE**

(56) **References Cited**

U.S. PATENT DOCUMENTS

(71) Applicant: **BROTHER INDUSTRIES, LTD.**,
Nagoya-shi, Aichi-ken (JP)

(72) Inventors: **Keisuke Nishihara**, Nagoya (JP);
Toshihiro Takahashi, Nagoya (JP);
Tatsuaki Mori, Nagoya (JP); **Susumu Murata**,
Konan (JP); **Shimako Nakai**, Nagoya (JP)

(73) Assignee: **BROTHER INDUSTRIES, LTD.**,
Nagoya (JP)

(**) Term: **15 Years**

D285,808 S * 9/1986 Fuziwara D18/12
D361,342 S * 8/1995 Hattori D18/56
5,653,542 A * 8/1997 Sugimoto B26D 5/00
400/207
5,771,803 A * 6/1998 Takami B41C 1/144
101/128.21
5,813,773 A * 9/1998 Kawai B41J 32/00
400/207
D435,589 S * 12/2000 Huss D18/56
6,520,696 B2 * 2/2003 Huss B41J 3/4075
400/207
D542,334 S * 5/2007 Harada D18/12
D647,127 S 10/2011 Mita et al.
D656,541 S * 3/2012 Ko D18/56
D665,020 S * 8/2012 Sodeyama D18/56
D791,230 S 7/2017 Nakai et al.

(Continued)

(21) Appl. No.: **29/630,440**

Primary Examiner — Cathron C Brooks
Assistant Examiner — Andrew T Nemeth
(74) *Attorney, Agent, or Firm* — Oliff PLC

(22) Filed: **Dec. 21, 2017**

(30) **Foreign Application Priority Data**

(57) **CLAIM**

The ornamental design for a tape cartridge for tape printing machine, as shown and described.

Jul. 31, 2017 (JP) 2017-016492

(51) **LOC (12) Cl.** **18-02**

DESCRIPTION

(52) **U.S. Cl.**

USPC **D18/56**

(58) **Field of Classification Search**

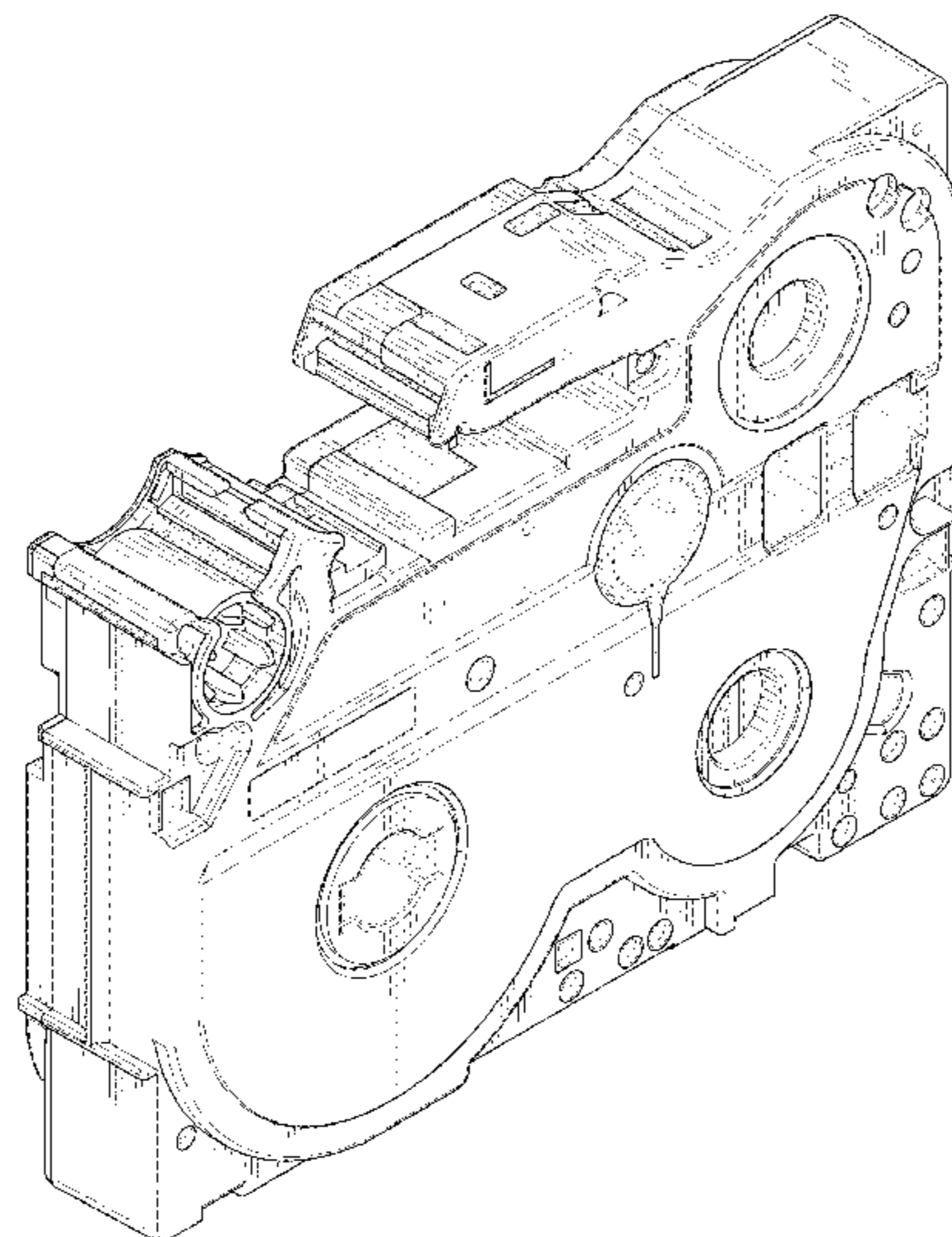
USPC D14/299, 301–303, 307, 332, 386,
D14/420–425, 432, 439, 441, 443, 447,
D14/462–471, 474, 480.5, 483–484;
D18/12, 14, 18–19, 36–41, 43–54, 54.1,
D18/55–59, 99

FIG. 1 is a front, top, left-side, perspective view of a tape cartridge for tape printing machine;
FIG. 2 is a front view thereof;
FIG. 3 is a top view thereof;
FIG. 4 is a right-side view thereof;
FIG. 5 is a left-side view thereof;
FIG. 6 is a rear view thereof;
FIG. 7 is a bottom view thereof; and,
FIG. 8 is a rear, bottom, right-side perspective view thereof.
The broken lines depict unclaimed portions of the tape cartridge for tape printing machine and form no part of the claimed design.

CPC .. G06K 15/12; G06K 15/14; B41J 3/00; B41J
3/28; B41J 11/00; B41J 11/58; B41J
15/12; B41J 15/042; G03G 15/00; G03G
15/0142; H04N 1/00129; H04N 1/00135;
H04N 1/00204; H04N 1/00278

See application file for complete search history.

1 Claim, 7 Drawing Sheets



(56)

References Cited

U.S. PATENT DOCUMENTS

2006/0216099	A1 *	9/2006	Sakano	B41J 3/4075 400/615.2
2006/0216100	A1 *	9/2006	Minoya	B41J 3/4075 400/619
2009/0196669	A1 *	8/2009	Murata	B41J 3/4075 400/207
2010/0247212	A1 *	9/2010	Yamaguchi	B41J 3/4075 400/229
2018/0015742	A1 *	1/2018	Inoue	B41J 3/36
2018/0015748	A1 *	1/2018	Kato	B41J 17/32
2018/0015749	A1 *	1/2018	Inoue	B41J 3/36
2019/0023038	A1 *	1/2019	Kodama	B41J 11/70

* cited by examiner

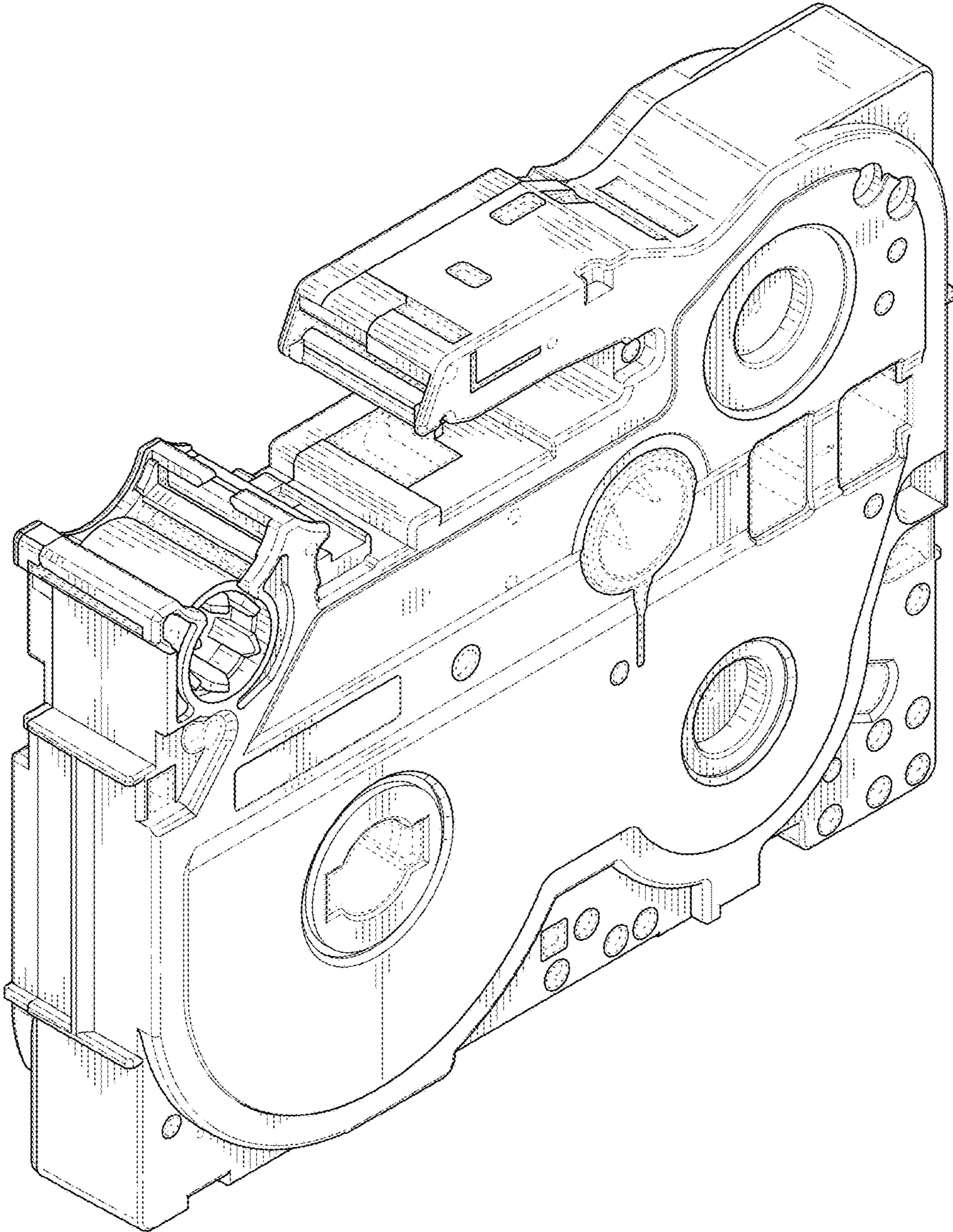


FIG. 1

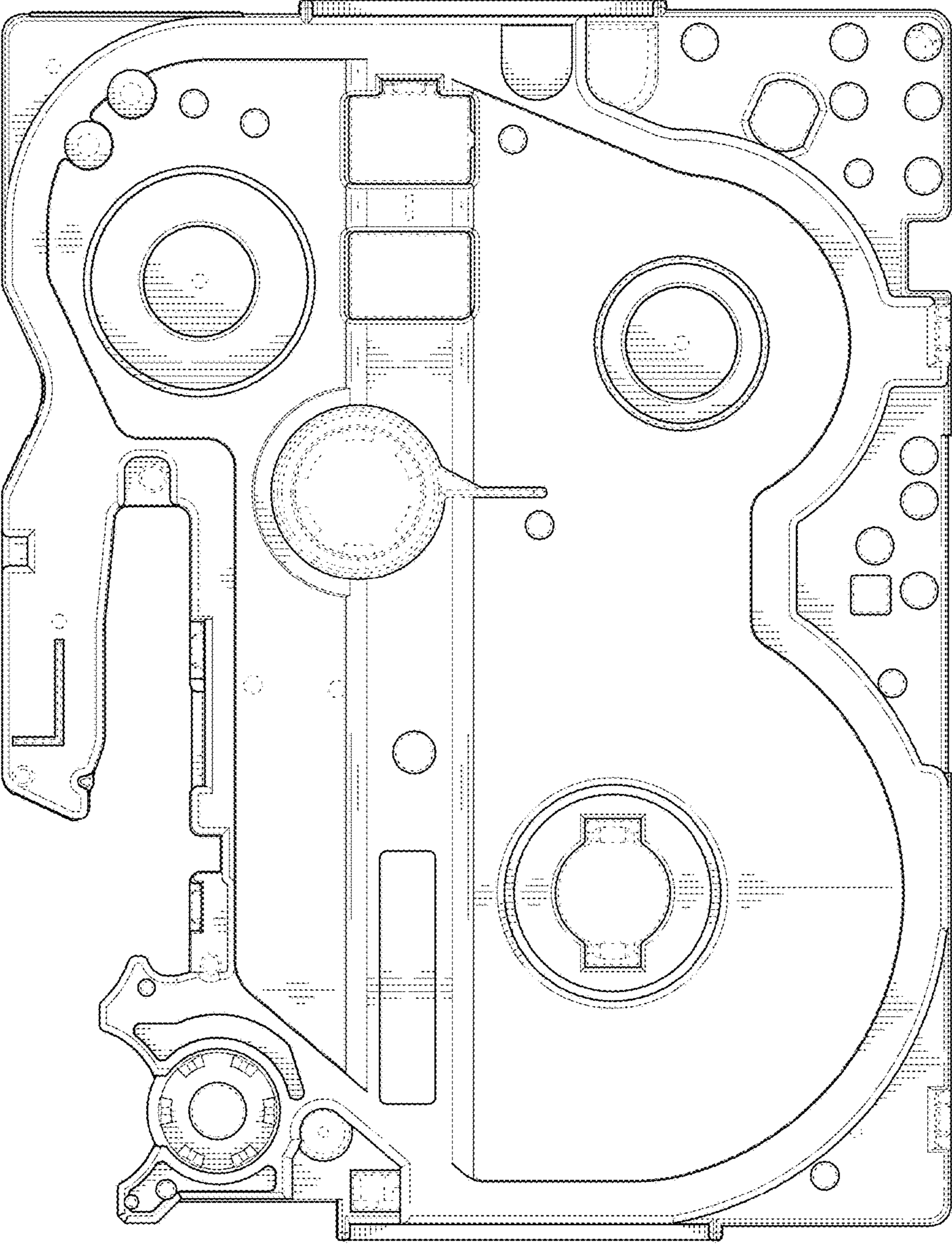


FIG. 2

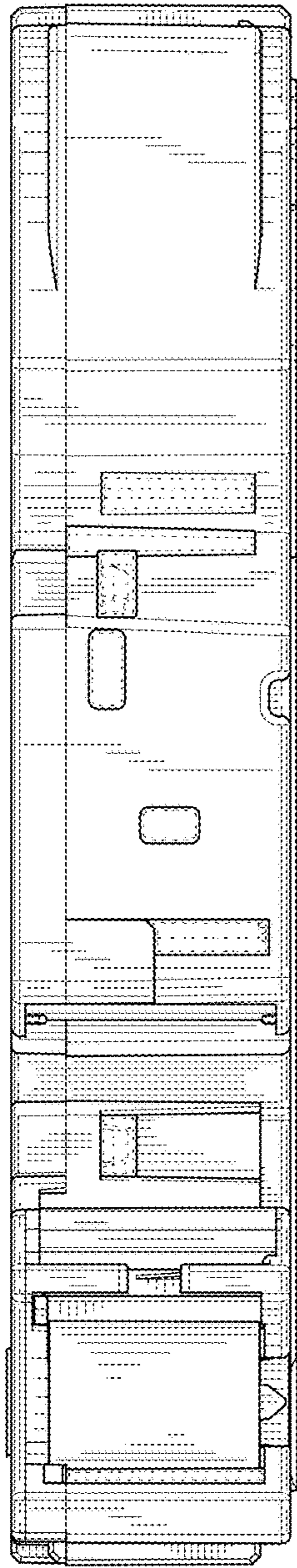


FIG. 3

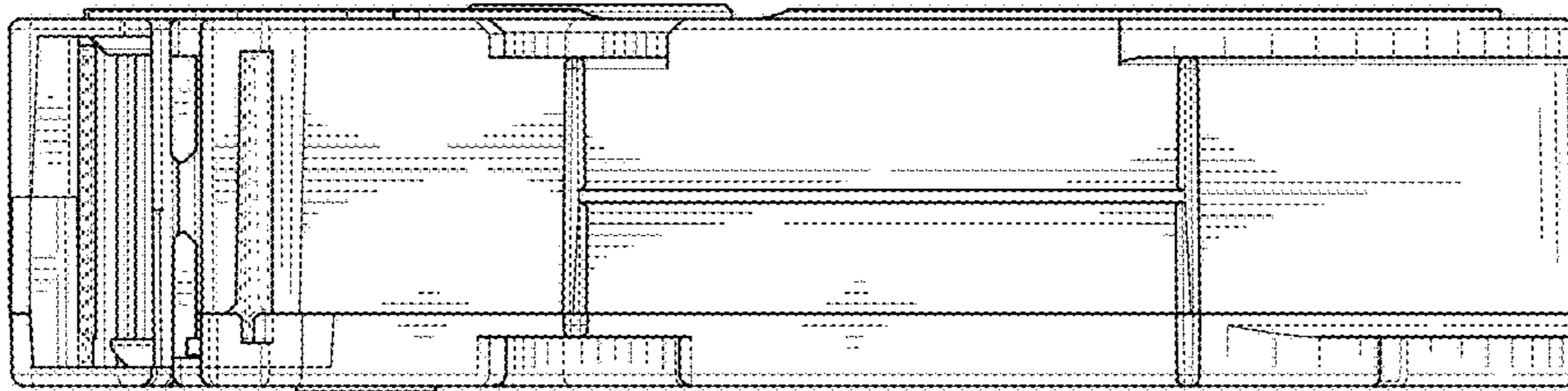


FIG. 5

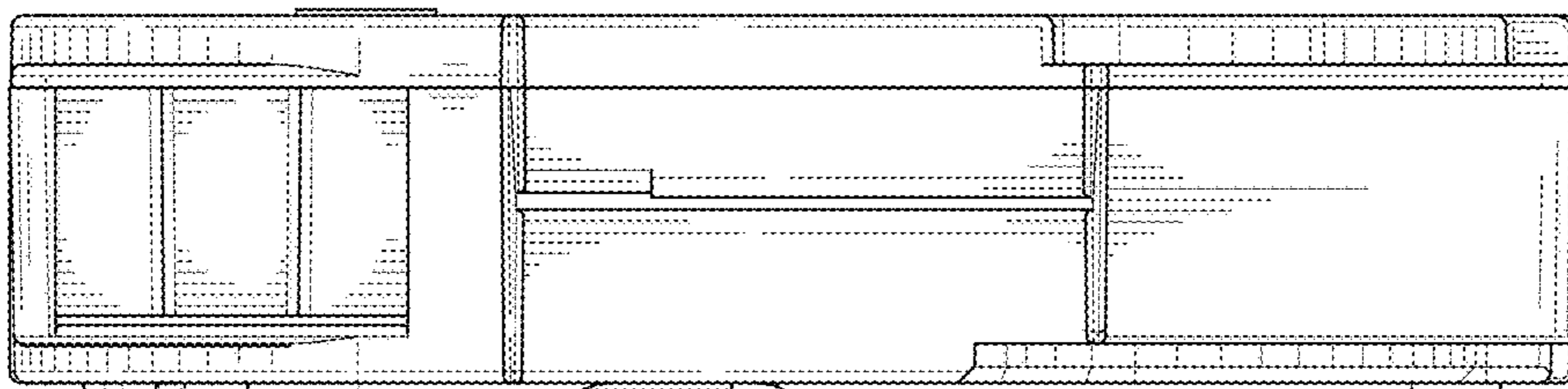


FIG. 4

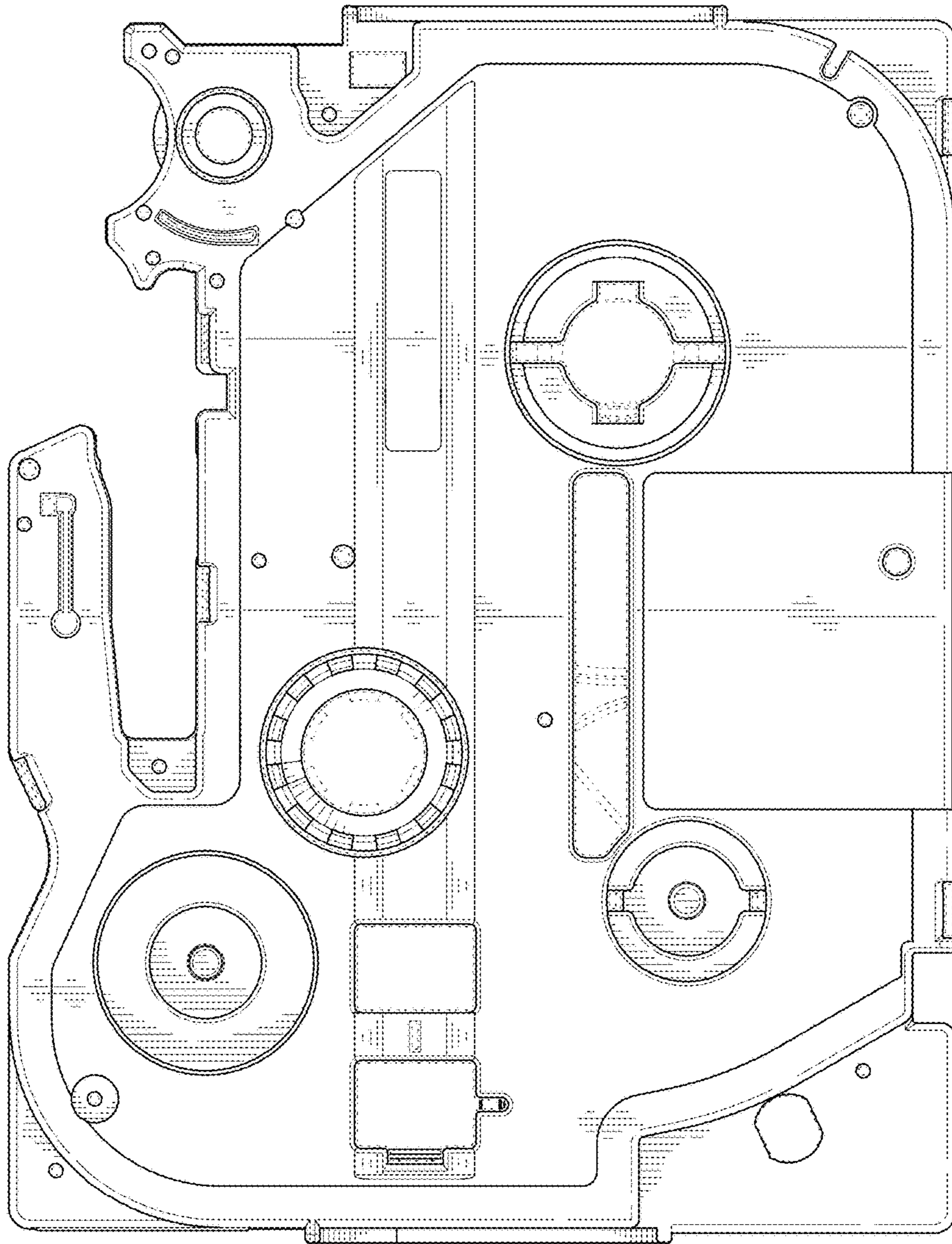


FIG. 6

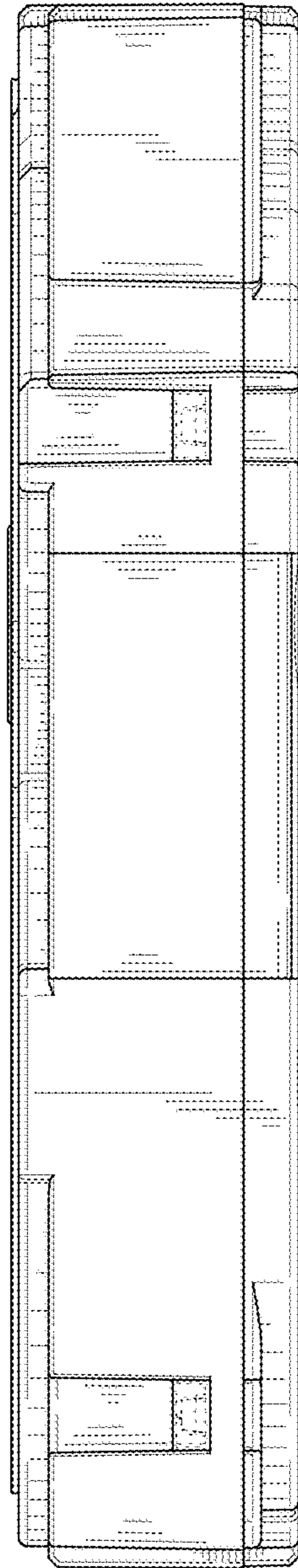


FIG. 7

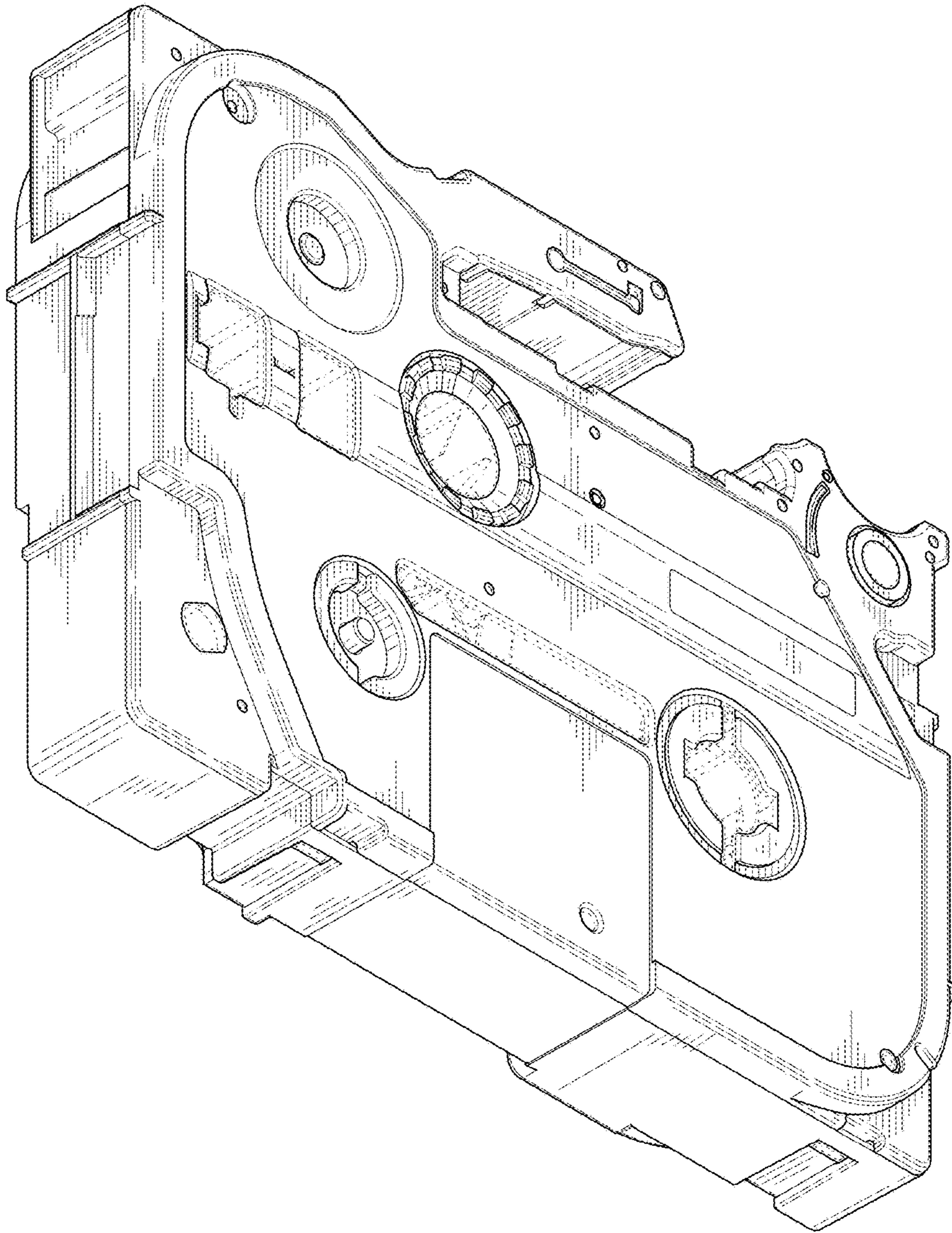


FIG. 8