



US00D865852S

(12) **United States Design Patent**
Li et al.

(10) **Patent No.:** **US D865,852 S**
(45) **Date of Patent:** **** Nov. 5, 2019**

(54) **VIRTUAL REALITY GLASSES**
(71) Applicant: **SHENZHEN DLODLO NEW TECHNOLOGY CO., LTD.**,
Shenzhen, Guangdong (CN)

(72) Inventors: **Gang Li**, Guangdong (CN); **Fengxue Zhang**, Guangdong (CN)

(73) Assignee: **SHENZHEN DLODLO NEW TECHNOLOGY CO., LTD.**,
Shenzhen, Guangdong (CN)

(**) Term: **15 Years**
(21) Appl. No.: **29/627,316**
(22) Filed: **Nov. 26, 2017**

(30) **Foreign Application Priority Data**
May 27, 2017 (CN) 2017 3 0209945
(51) **LOC (12) Cl.** **16-06**
(52) **U.S. Cl.**
USPC **D16/313**
(58) **Field of Classification Search**
USPC D16/300, 314, 321, 313
CPC G02B 2027/0178; G02B 27/017; G02B
2027/014; G02B 2027/0141; G06F 1/163
See application file for complete search history.

(56) **References Cited**
U.S. PATENT DOCUMENTS
D210,421 S * 3/1968 Mitchell D16/313
D310,839 S * 9/1990 Bolle D16/313
D428,620 S * 7/2000 Maturaporn 2/12
D431,257 S * 9/2000 Yang D16/313
D435,857 S * 1/2001 Yang D16/313
D561,809 S * 2/2008 Yee D16/313
D565,087 S * 3/2008 Yee D16/313
D586,378 S * 2/2009 Yee D16/313

D616,012 S * 5/2010 Yee D16/313
D616,916 S * 6/2010 Yang D16/313
D714,854 S * 10/2014 Porter D16/313
(Continued)

OTHER PUBLICATIONS

Apple Smartglasses, posted at mobile-ar.reality.news.com, posting date Nov. 8, 2017, [online], [site visited Mar. 6, 2019]. Available from Internet, URL: <https://mobile-ar.reality.news/news/apple-ar-apple-smartglasses-progress-ready-for-public-by-2020-report-says-0181038/> (Year: 2017).*
(Continued)

Primary Examiner — George D. Kirschbaum
Assistant Examiner — Maria J Edwards
(74) *Attorney, Agent, or Firm* — Yue (Robert) Xu; Apex Attorneys at Law, LLP

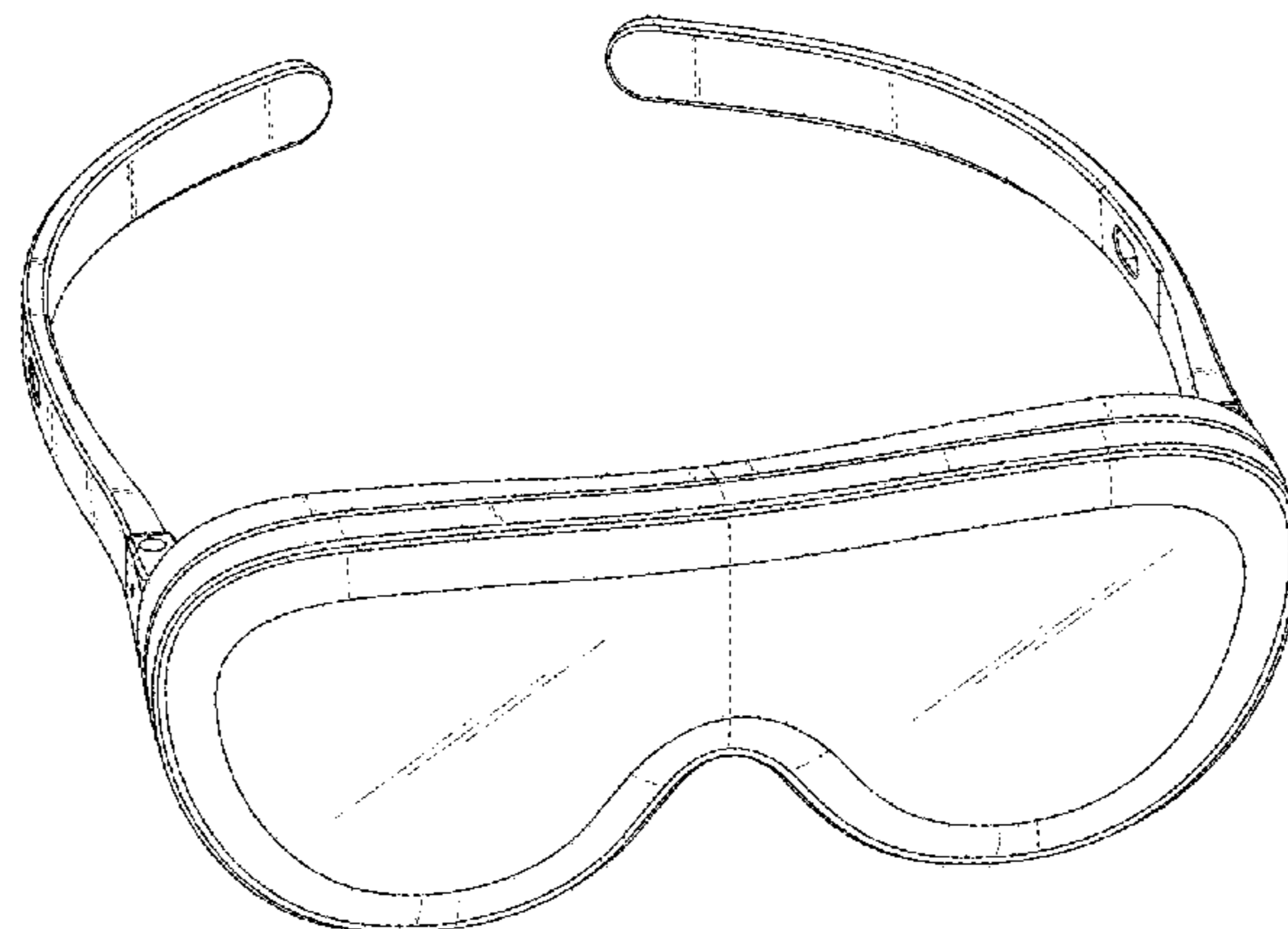
(57) **CLAIM**

The ornamental design for a virtual reality glasses, as shown and described.

DESCRIPTION

FIG. 1 is a front view of a virtual reality glasses according to the present application;
FIG. 2 is a rear view of the virtual reality glasses according to the present application;
FIG. 3 is a left view of the virtual reality glasses according to the present application;
FIG. 4 is a right view of the virtual reality glasses according to the present application;
FIG. 5 is a top view of the virtual reality glasses according to the present application;
FIG. 6 is a bottom view of the virtual reality glasses according to the present application; and,
FIG. 7 is a perspective view of the virtual reality glasses according to the present application.
The broken lines in the figures illustrate portions of the virtual reality glasses and form no part of the claimed design.

1 Claim, 7 Drawing Sheets



(56)

References Cited

U.S. PATENT DOCUMENTS

D747,401 S * 1/2016 Exley D16/314
D778,339 S * 2/2017 Yoo D16/313
D794,022 S * 8/2017 Limaye D14/372
D819,026 S * 5/2018 Limaye D14/372
D827,701 S * 9/2018 Nguyen D16/309
D833,500 S * 11/2018 Su D16/130
D842,362 S * 3/2019 Catania D16/309
2017/0102562 A1 * 4/2017 Ban G06F 3/14

OTHER PUBLICATIONS

Cinemizer virtual reality, posted at turbosquid.com, posting date not given, [online], [site visited Mar. 6, 2019]. Available from Internet, URL: <https://www.turbosquid.com/3d-models/cinemizer-virtual-reality-goggles-3d-model-1150840> (Year: 2019).*

Dlodlo V-One, posted at phandroid.com, posting date Apr. 22, 2016, [online], [site visited Mar. 6, 2019]. Available from Internet, URL: <https://phandroid.com/2016/04/22/dlodlo-v-one-virtual-reality-glasses/> (Year: 2016).*

Dlodlo VR Glasses, posted at hardwarezone.com, posting date May 19, 2015, [online], [site visited Mar. 6, 2019]. Available from Internet, URL: <https://www.hardwarezone.com.sg/tech-news-dlodlos-vr-glasses-look-something-wed-wear-public> (Year: 2015).*

HoloLens, posted at codefluegel.com, posting date Jul. 7, 2016, [online], [site visited Mar. 6, 2019]. Available from Internet, URL: <https://codefluegel.com/en/microsoft-hololens/> (Year: 2016).*

Nreal one, posted at sohu.com, posting date Apr. 26, 2018, [online], [site visited Mar. 6, 2019]. Available from Internet, URL: http://www.sohu.com/a/229542838_610479 (Year: 2018).*

* cited by examiner

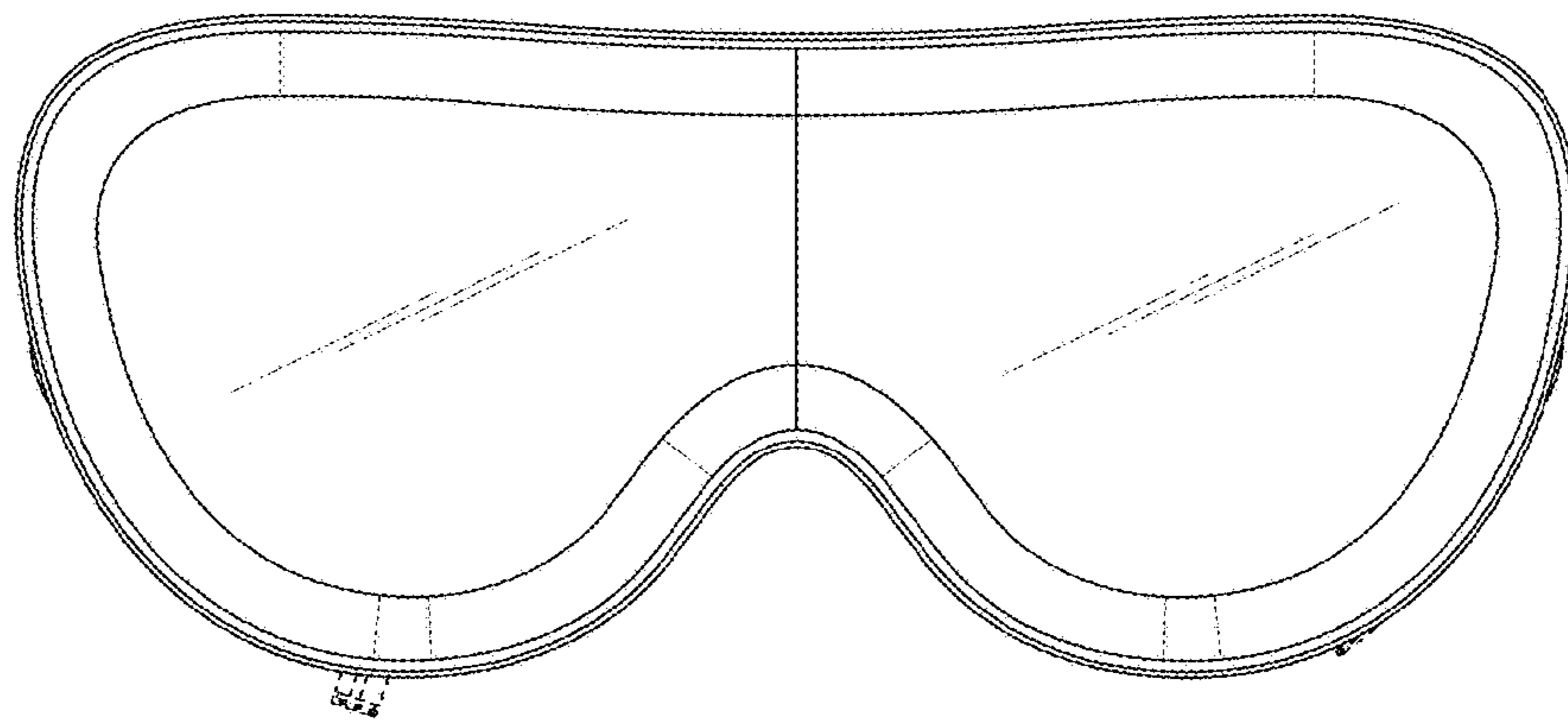


FIG. 1

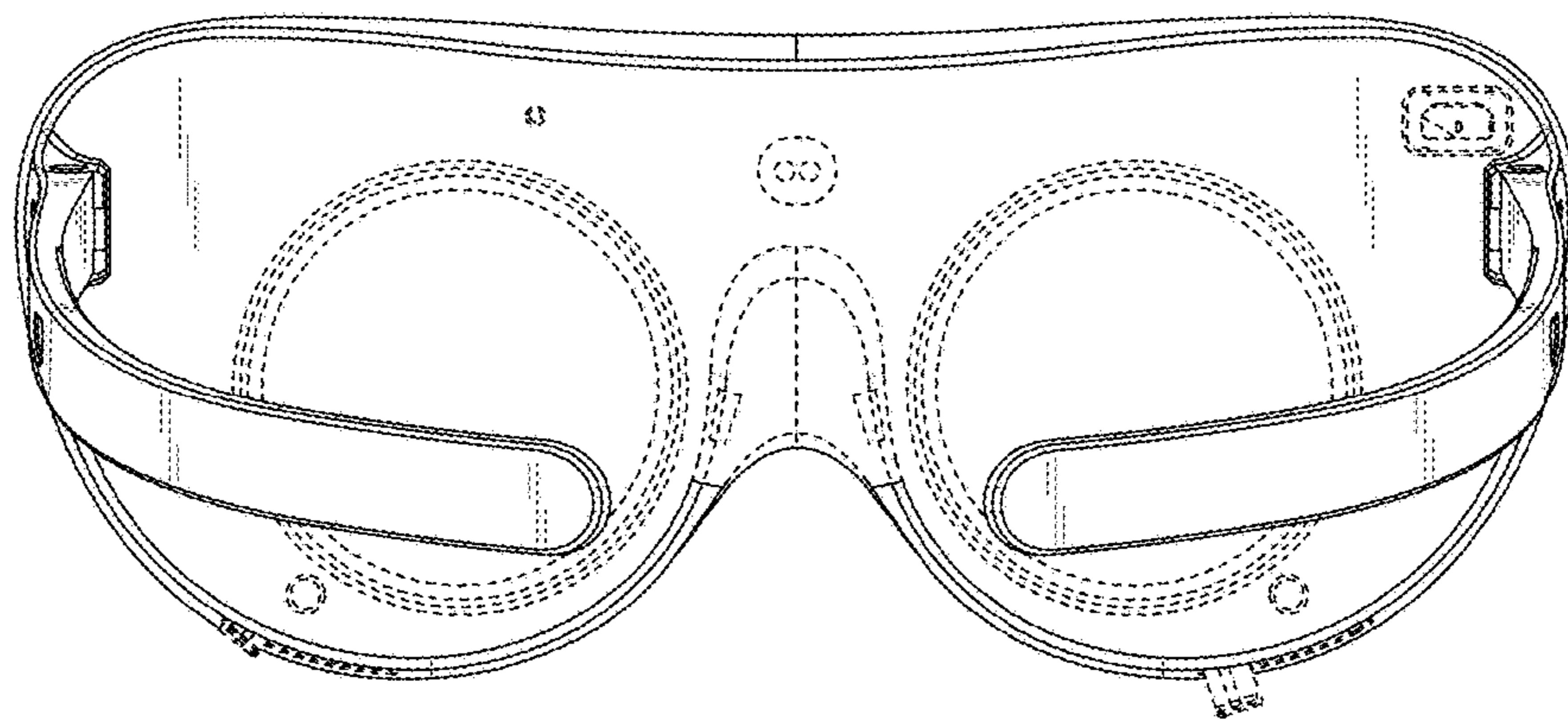


FIG. 2

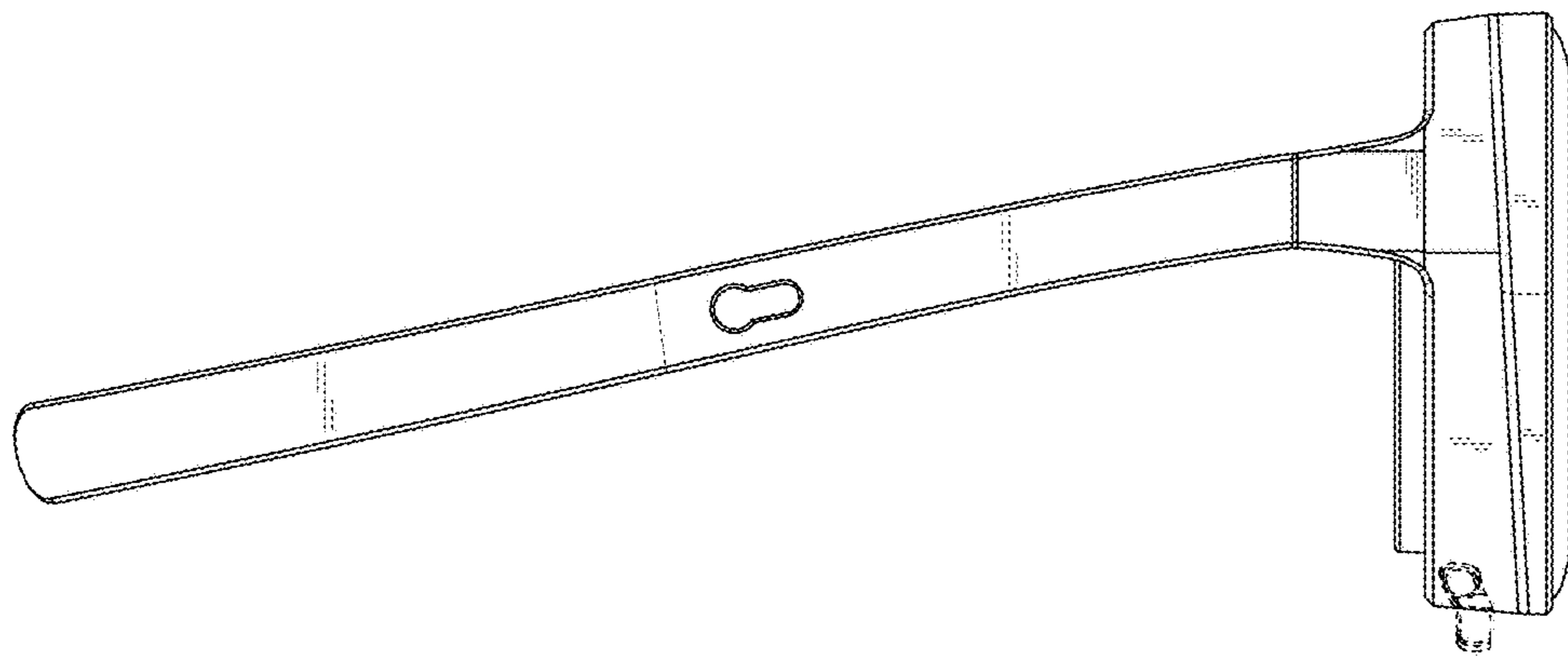


FIG. 3

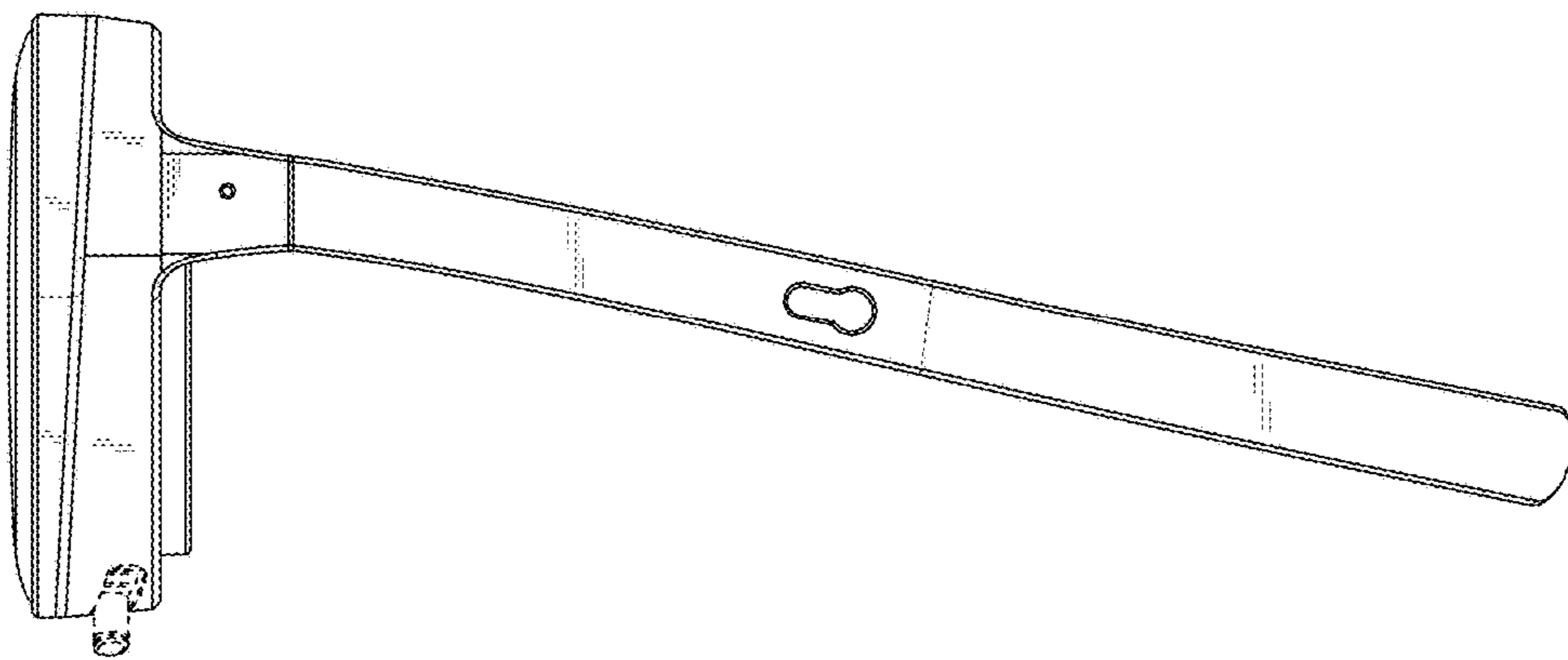


FIG. 4

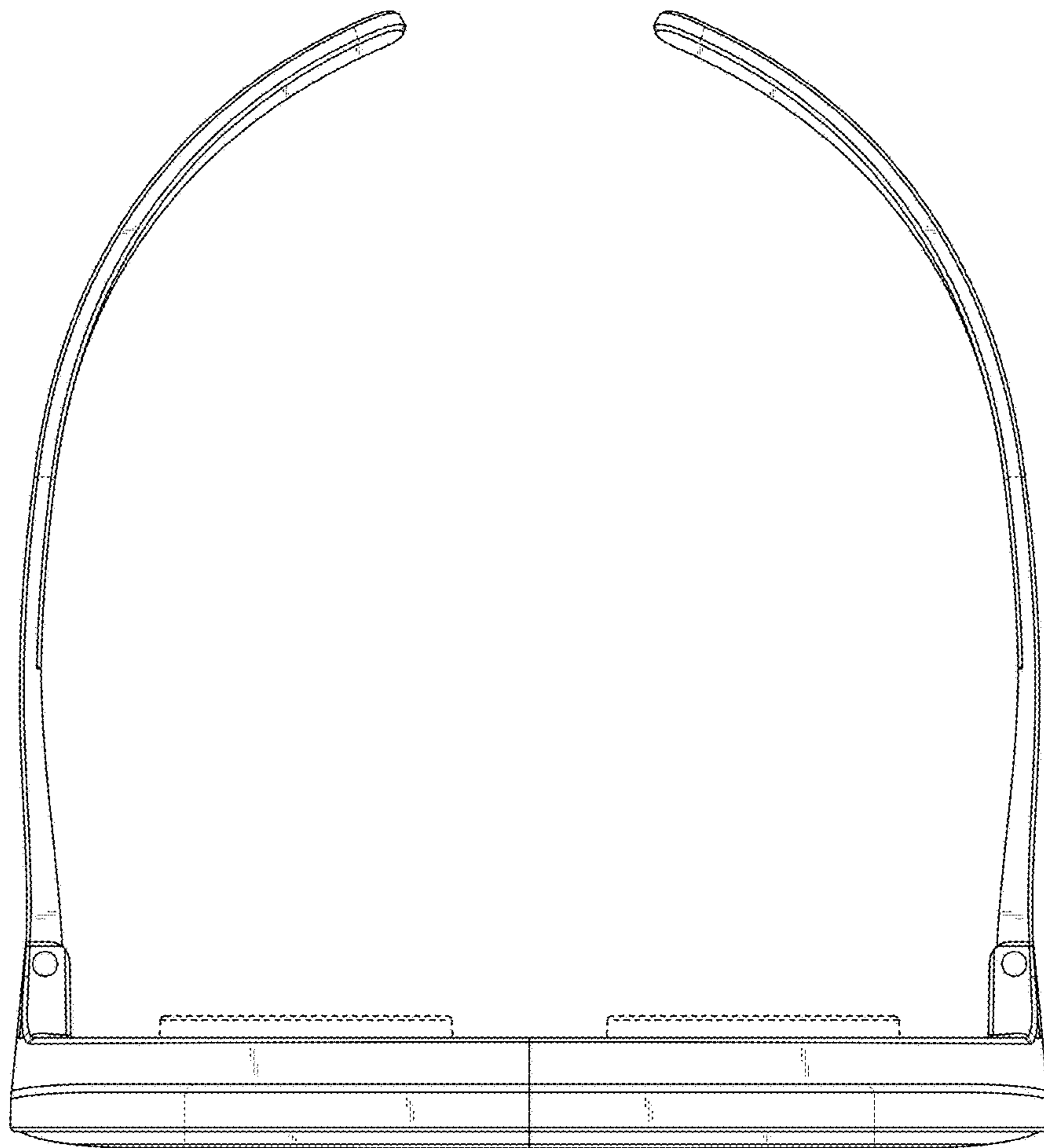


FIG. 5

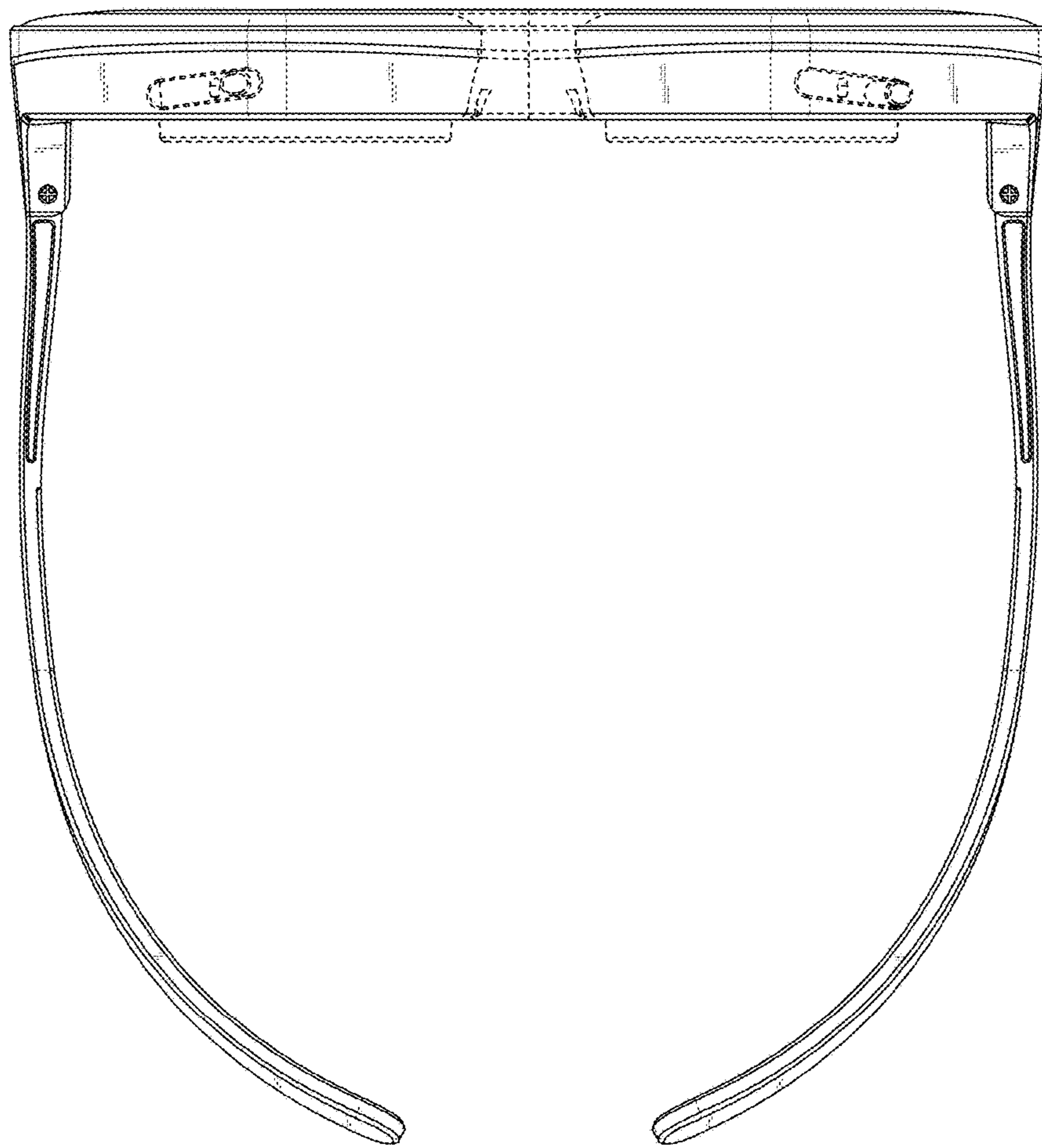


FIG. 6

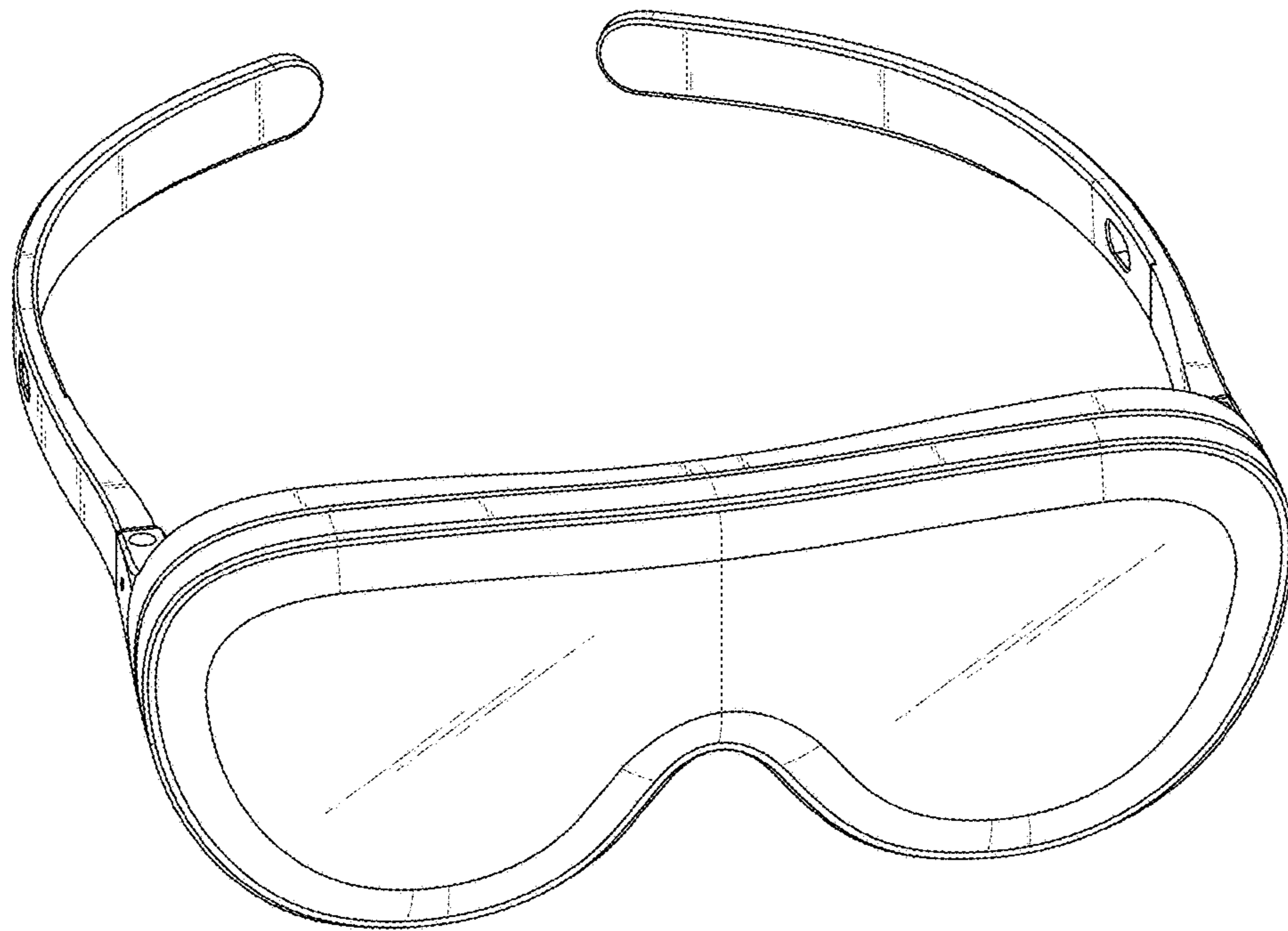


FIG. 7