



US00D865851S

(12) **United States Design Patent** (10) **Patent No.:** **US D865,851 S**
Ramones et al. (45) **Date of Patent:** **** Nov. 5, 2019**

(54) **CAMERA COVER**

(71) Applicant: **Arlo Technologies, Inc.**, Carlsbad, CA (US)

(72) Inventors: **John Kui Yin Ramones**, San Ramon, CA (US); **William A. Gilbert**, Carlsbad, CA (US); **Beau Oyler**, Walnut Creek, CA (US)

(73) Assignee: **Arlo Technologies, Inc.**, Carlsbad, CA (US)

(**) Term: **15 Years**

(21) Appl. No.: **29/676,496**

(22) Filed: **Jan. 11, 2019**

Related U.S. Application Data

(63) Continuation of application No. 29/608,627, filed on Jun. 23, 2017, now Pat. No. Des. 841,720.

(51) **LOC (12) Cl.** **16-05**

(52) **U.S. Cl.**
USPC **D16/237**

(58) **Field of Classification Search**
USPC D16/203, 208, 213–219, 235–250;
D14/217, 229, 250–253; D8/353, 362,
D8/371, 394
CPC .. G03B 17/02–04; G03B 17/14; G03B 17/56;
G03B 17/561–568; G03B 21/20; G02B
7/00–002; F16M 11/02; F16M 11/04;
F16M 11/20; F16M 11/40
See application file for complete search history.

(56) **References Cited**

U.S. PATENT DOCUMENTS

D502,488 S * 3/2005 Miyashita D16/239
D577,280 S * 9/2008 Parker D8/353
D715,349 S * 10/2014 Boerup D16/237
D716,362 S * 10/2014 Generotti D16/237
D729,923 S * 5/2015 Chou D23/366

D733,859 S * 7/2015 Hsiao D23/366
D750,692 S * 3/2016 Tirosh D16/237
D785,067 S * 4/2017 Ramones D16/203
D790,620 S * 6/2017 Lee D16/202
9,967,439 B2 * 5/2018 Ramones H04N 5/2252
10,067,408 B2 * 9/2018 Tang B64D 47/08

(Continued)

FOREIGN PATENT DOCUMENTS

CN 201530140378 * 5/2015

OTHER PUBLICATIONS

Set of 3 Skins in Black for Pro (VMA4200B). Online, published date Oct. 18, 2016. Retrieved on May 17, 2019 from URL: <https://www.arlo.com/en-us/products/arlo-pro/skin.aspx>.*

Primary Examiner — Susan Bennett Hattan

Assistant Examiner — Omeed Agilee

(74) *Attorney, Agent, or Firm* — Boyle Fredrickson, S.C.

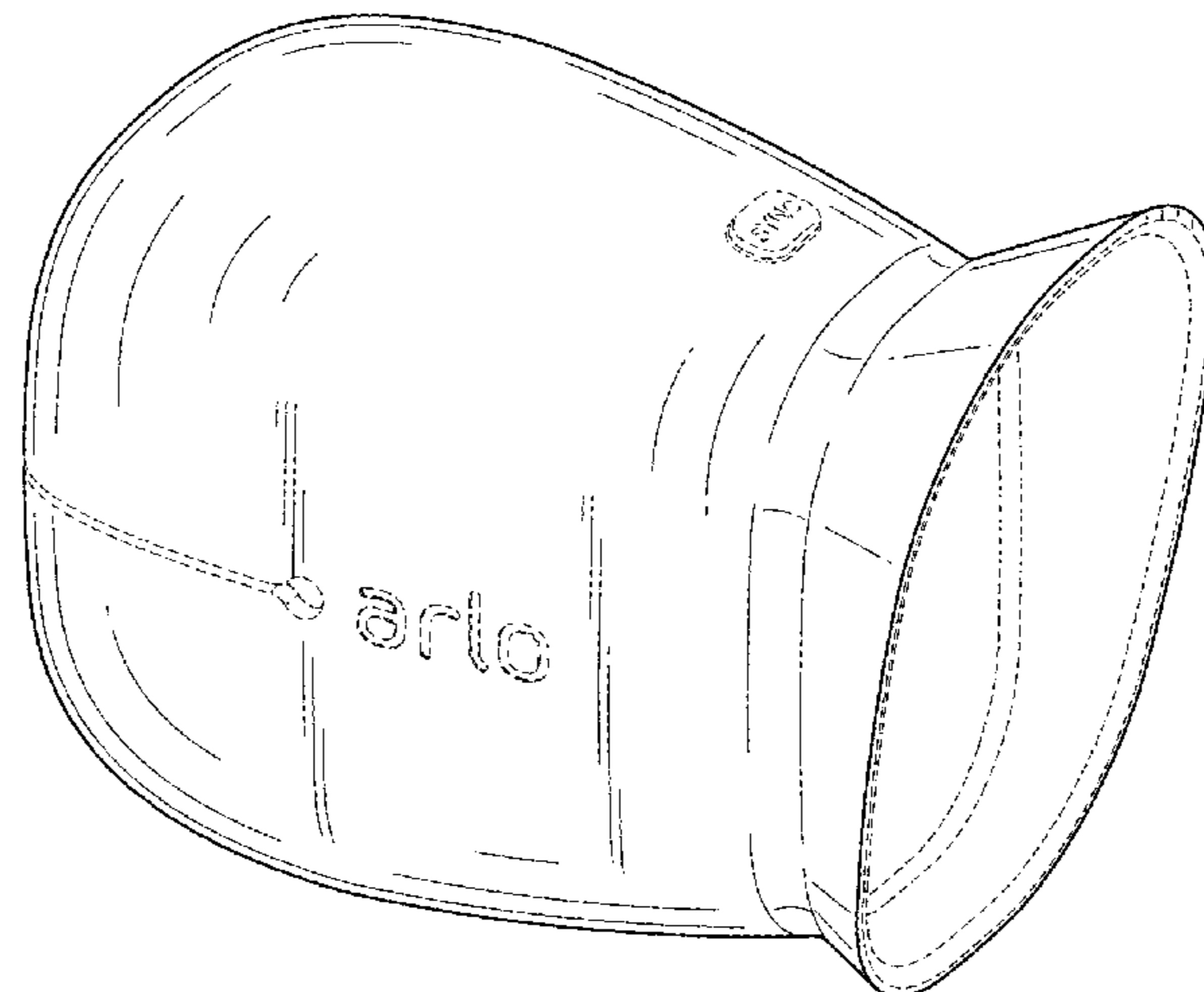
(57) **CLAIM**

The ornamental design for a camera cover, as shown and described.

DESCRIPTION

FIG. 1 is an isometric view of a camera cover incorporating our new design, viewed from above, in front of, and from the left side of the camera cover;
FIG. 2 is a front elevation view thereof;
FIG. 3 is a rear elevation view thereof;
FIG. 4 is a left-side elevation view thereof;
FIG. 5 is a right-side elevation view thereof;
FIG. 6 is a top plan view thereof; and,
FIG. 7 is a bottom plan view thereof.
The broken lines in FIGS. 1-7 that are located immediately adjacent the shaded areas represent the bounds of the claimed design, while all other broken lines are directed to the environment. All of the broken lines form no part of the claimed design.

1 Claim, 7 Drawing Sheets



(56)

References Cited

U.S. PATENT DOCUMENTS

D841,720 S * 2/2019 Ramones D16/237
D845,373 S * 4/2019 Mittleman D16/203
2017/0131621 A1* 5/2017 Tang B64D 47/08

* cited by examiner

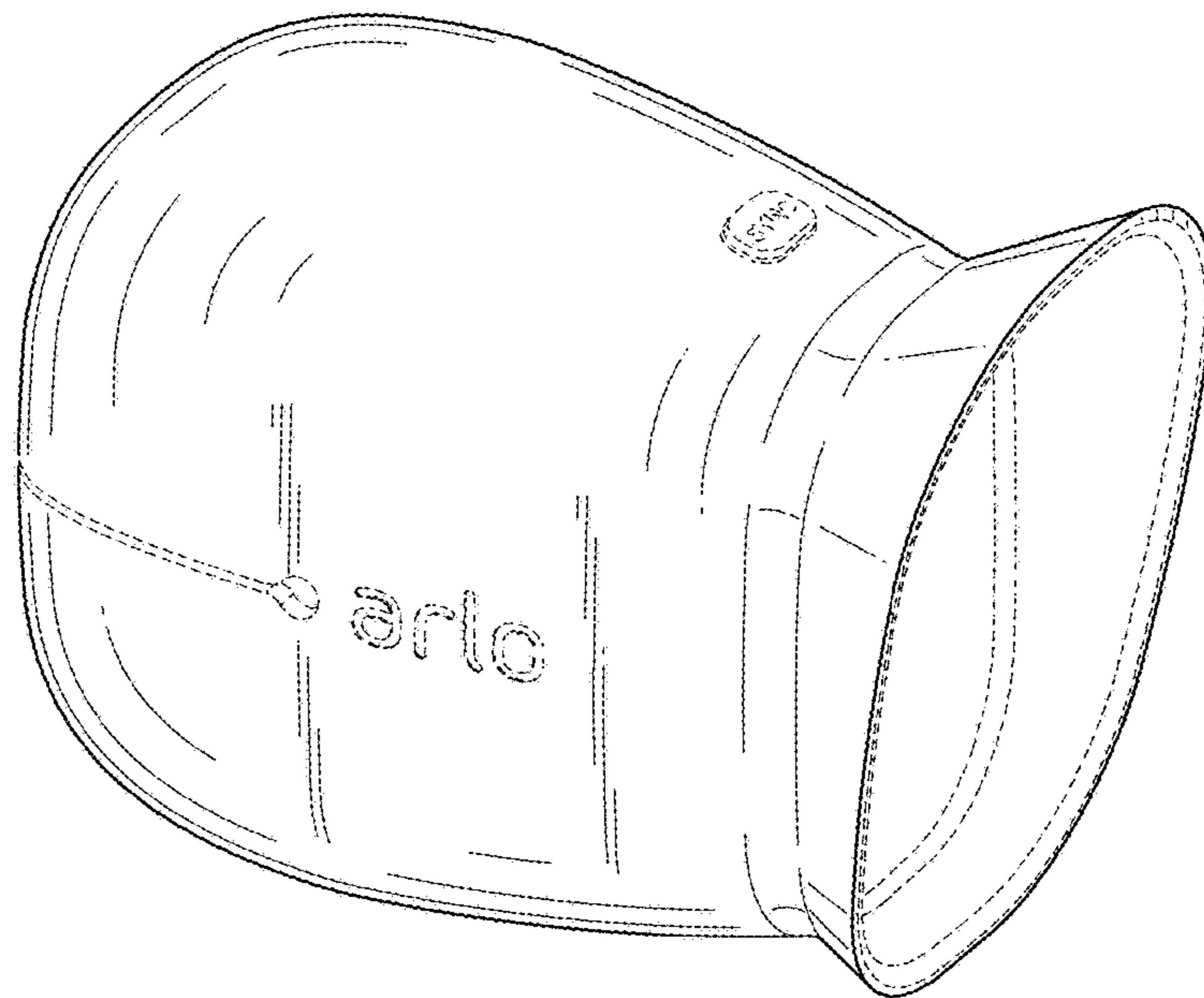


FIG. 1

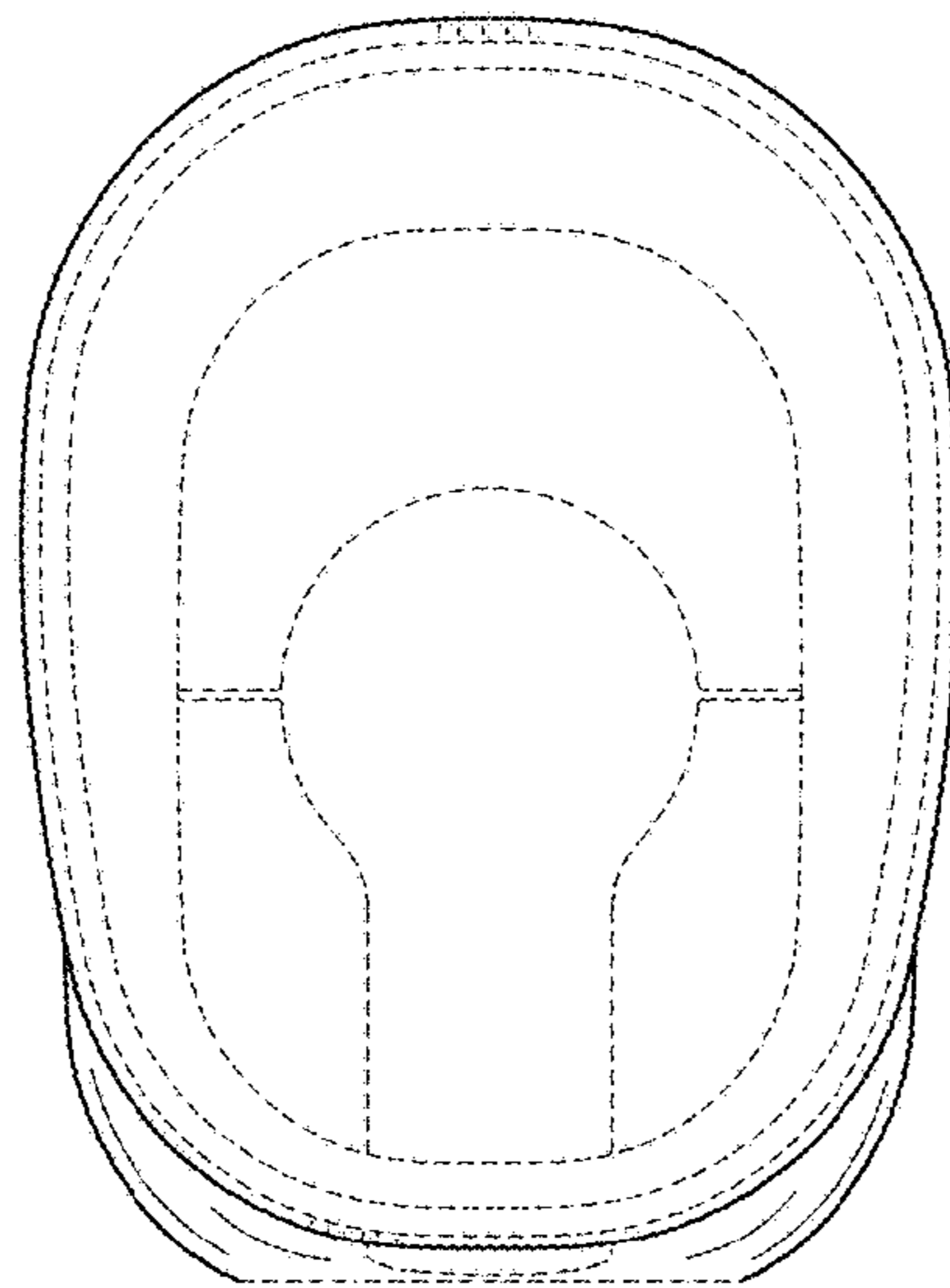


FIG. 2

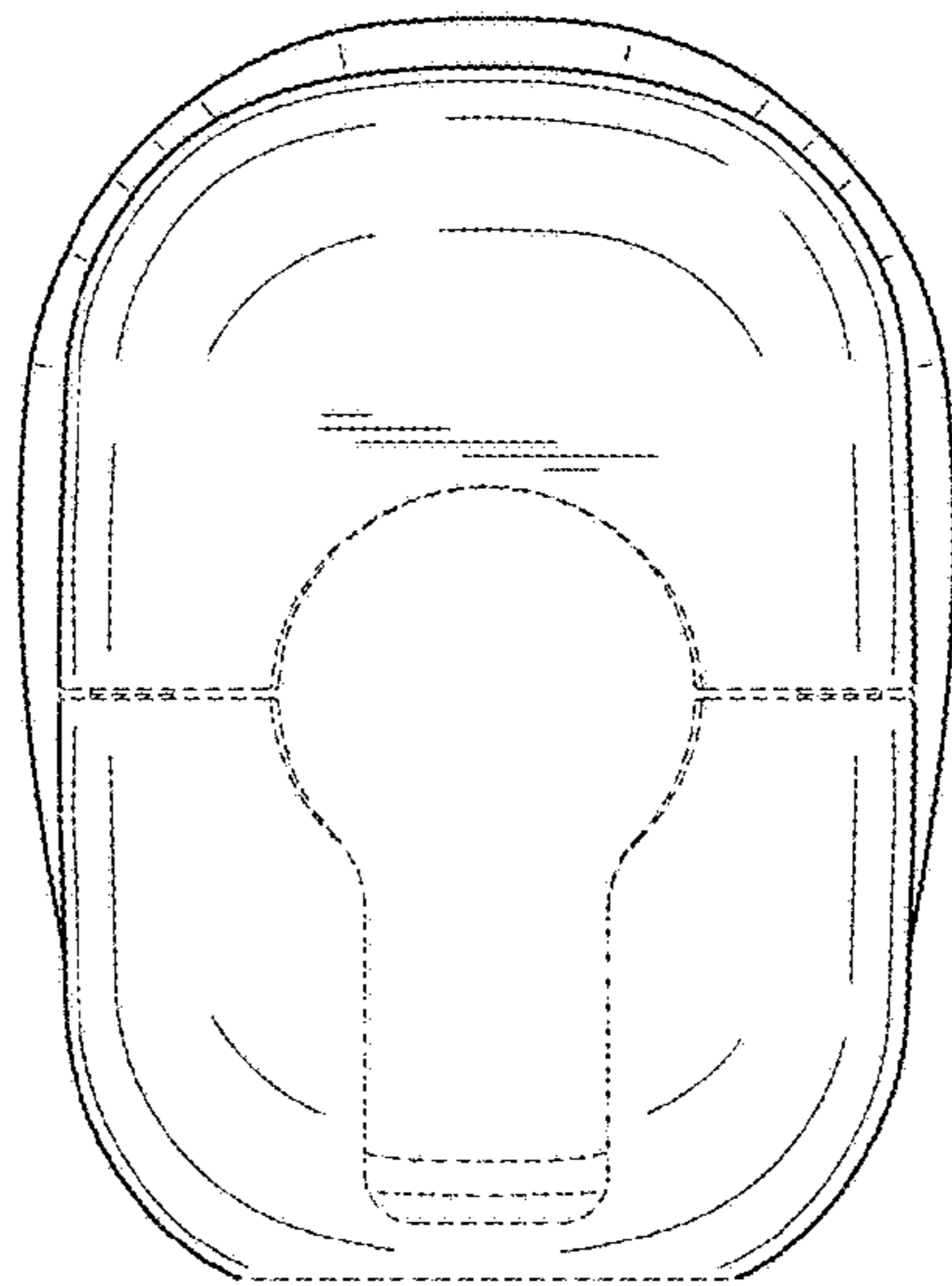


FIG. 3

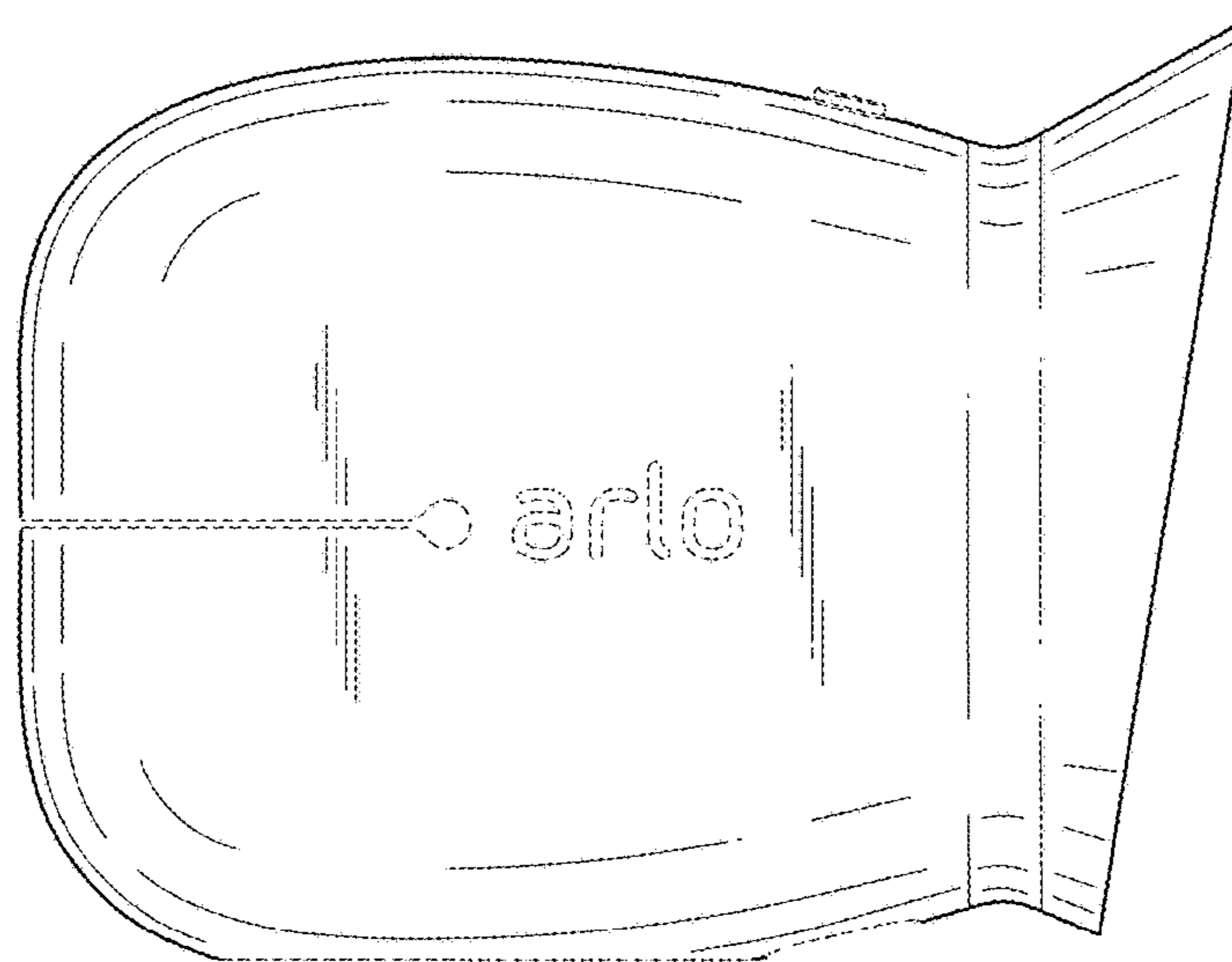


FIG. 4

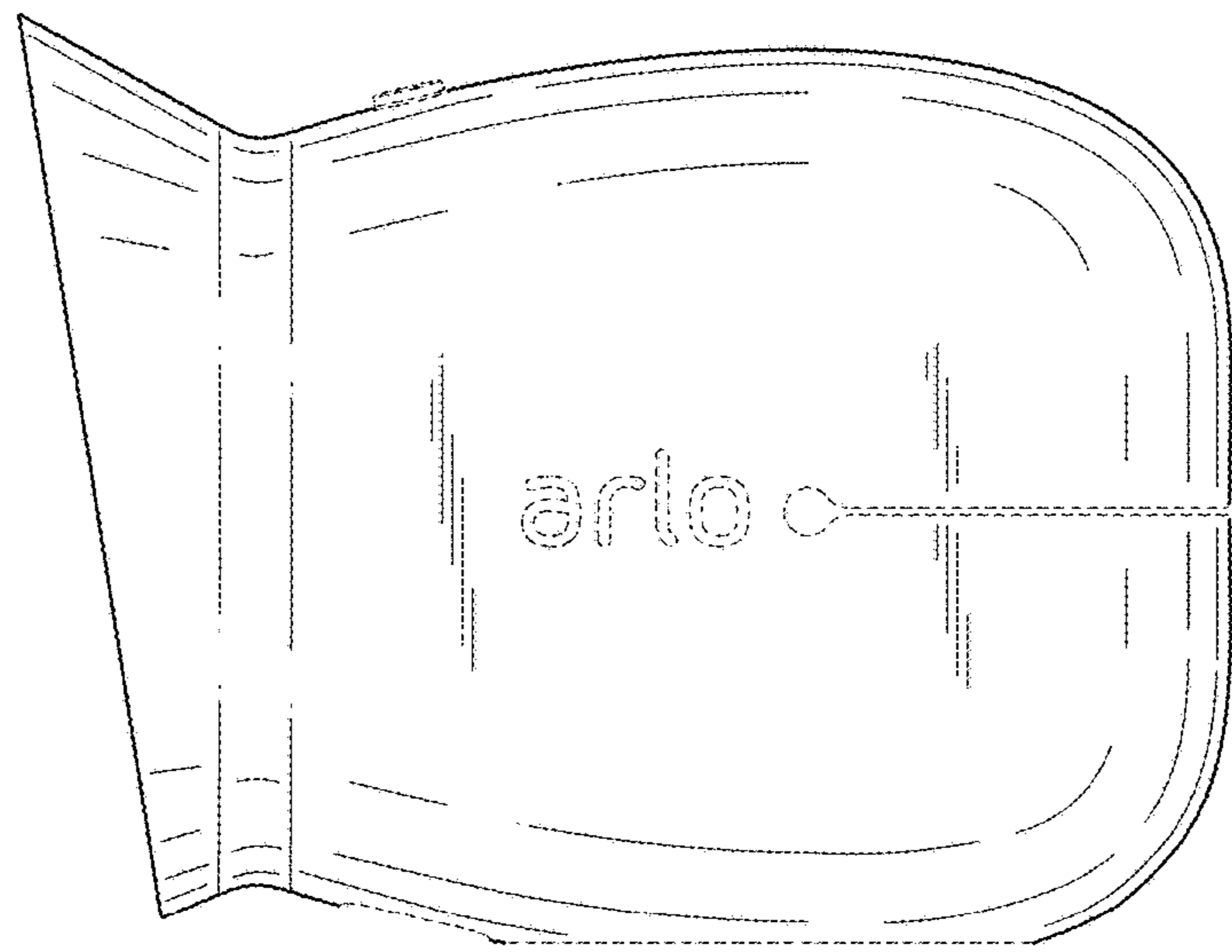


FIG. 5

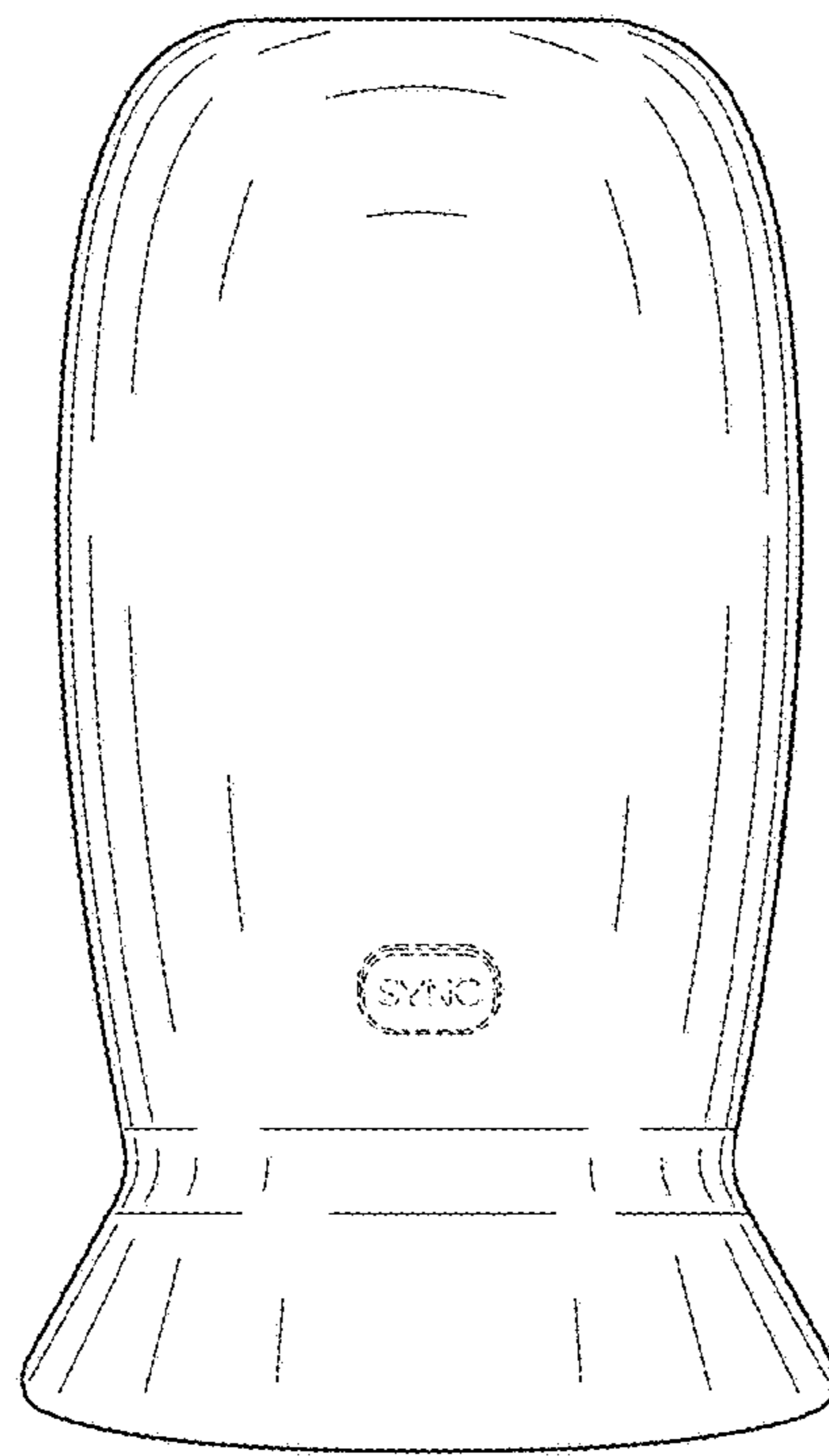


FIG. 6

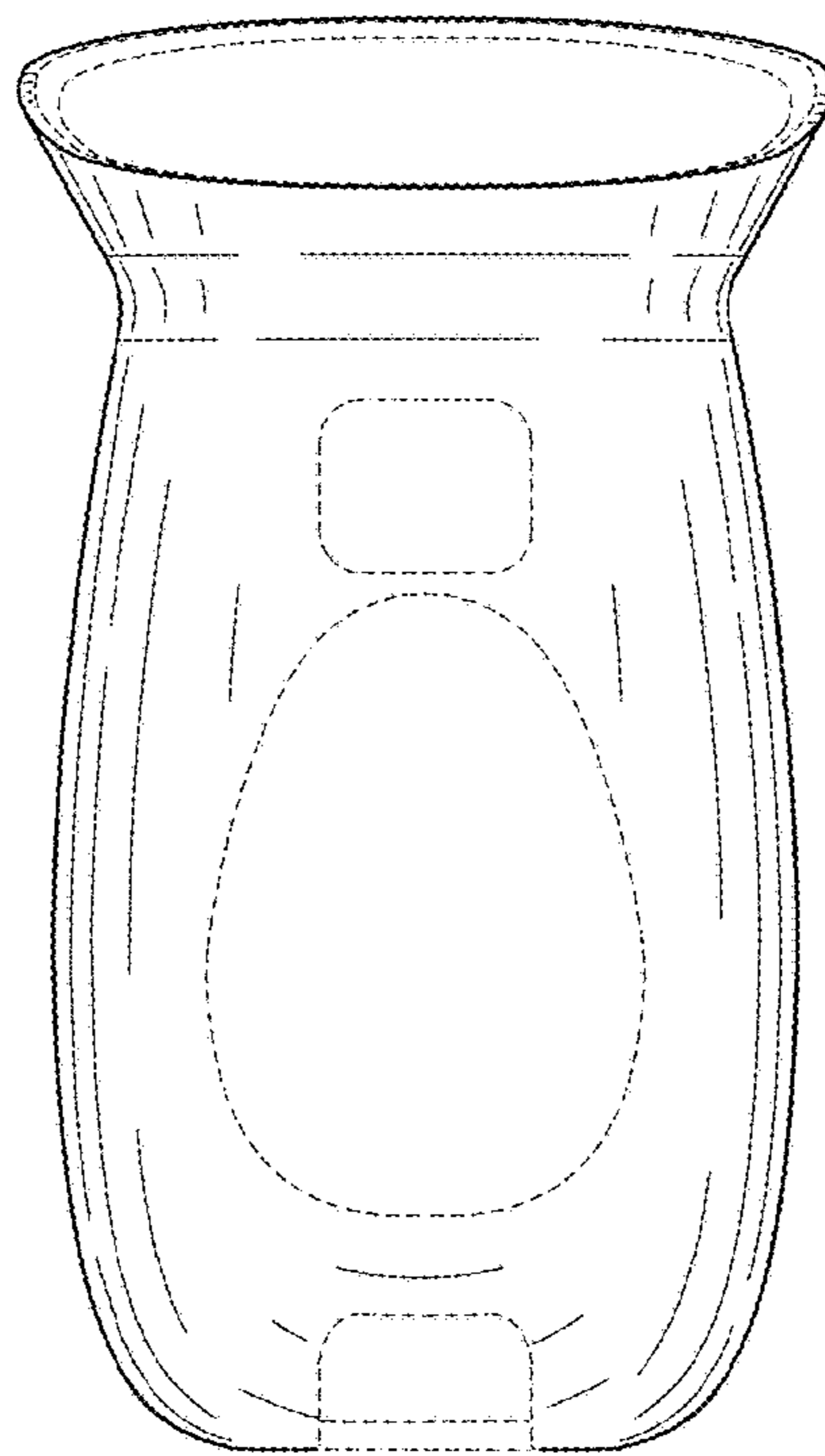


FIG. 7