



US00D865850S

(12) **United States Design Patent**
Yoshida

(10) **Patent No.:** **US D865,850 S**

(45) **Date of Patent:** **** Nov. 5, 2019**

(54) **PROJECTOR**

(71) Applicant: **FUJIFILM Corporation**, Tokyo (JP)

(72) Inventor: **Koji Yoshida**, Saitama (JP)

(73) Assignee: **FUJIFILM Corporation**, Tokyo (JP)

(**) Term: **15 Years**

(21) Appl. No.: **29/658,091**

(22) Filed: **Jul. 27, 2018**

(30) **Foreign Application Priority Data**

Jan. 30, 2018 (JP) 2018-001720

(51) **LOC (12) Cl.** **16-02**

(52) **U.S. Cl.**
USPC **D16/229; D16/225; D16/230**

(58) **Field of Classification Search**
USPC D16/221, 225, 229-231, 234; D21/514;
353/101, 119, 122

(Continued)

(56) **References Cited**

U.S. PATENT DOCUMENTS

D466,143 S * 11/2002 Torikai D16/230
7,029,132 B2 * 4/2006 Tsubata H04N 9/3141
353/122

(Continued)

FOREIGN PATENT DOCUMENTS

JP 1369993 S 9/2009
JP D1566646 * 2/2016

OTHER PUBLICATIONS

Lavars, Nick "Fujifilm flips the script with a rotating projector lens,"
Sep. 26, 2018. Retrieved on Jun. 26, 2019. Retrieved from the
Internet: <https://newatlas.com/fujifilm-rotating-lens/56514/>.*

(Continued)

Primary Examiner — Wan Laymon

(74) *Attorney, Agent, or Firm* — Birch, Stewart, Kolasch
& Birch, LLP

(57) **CLAIM**

The ornamental design for a projector, as shown and
described.

DESCRIPTION

FIG. 1 is a right perspective view of a projector showing my
new design;

FIG. 2 is a left perspective view thereof;

FIG. 3 is a front view thereof;

FIG. 4 is a rear view thereof;

FIG. 5 is a top plan view thereof;

FIG. 6 is a bottom plan view thereof;

FIG. 7 is a right side view thereof;

FIG. 8 is a left side view thereof;

FIG. 9 is a right perspective view of a projector illustrating
the situation that a lens is directed to first direction, showing
my new design;

FIG. 10 is a front view thereof;

FIG. 11 is a rear view thereof;

FIG. 12 is a top plan view thereof;

FIG. 13 is a bottom plan view thereof;

FIG. 14 is a right side view thereof;

FIG. 15 is a left side view thereof;

FIG. 16 is a right perspective view of a projector illustrating
the situation that the lens is directed to second direction,
showing my new design;

FIG. 17 is a front view thereof;

FIG. 18 is a rear view thereof;

FIG. 19 is a top plan view thereof;

FIG. 20 is a bottom plan view thereof;

FIG. 21 is a right side view thereof;

FIG. 22 is a left side view thereof;

FIG. 23 is a right perspective view of a projector illustrating
the situation that the lens is directed to third direction,
showing my new design;

FIG. 24 is a front view thereof;

FIG. 25 is a rear view thereof;

FIG. 26 is a top plan view thereof;

(Continued)

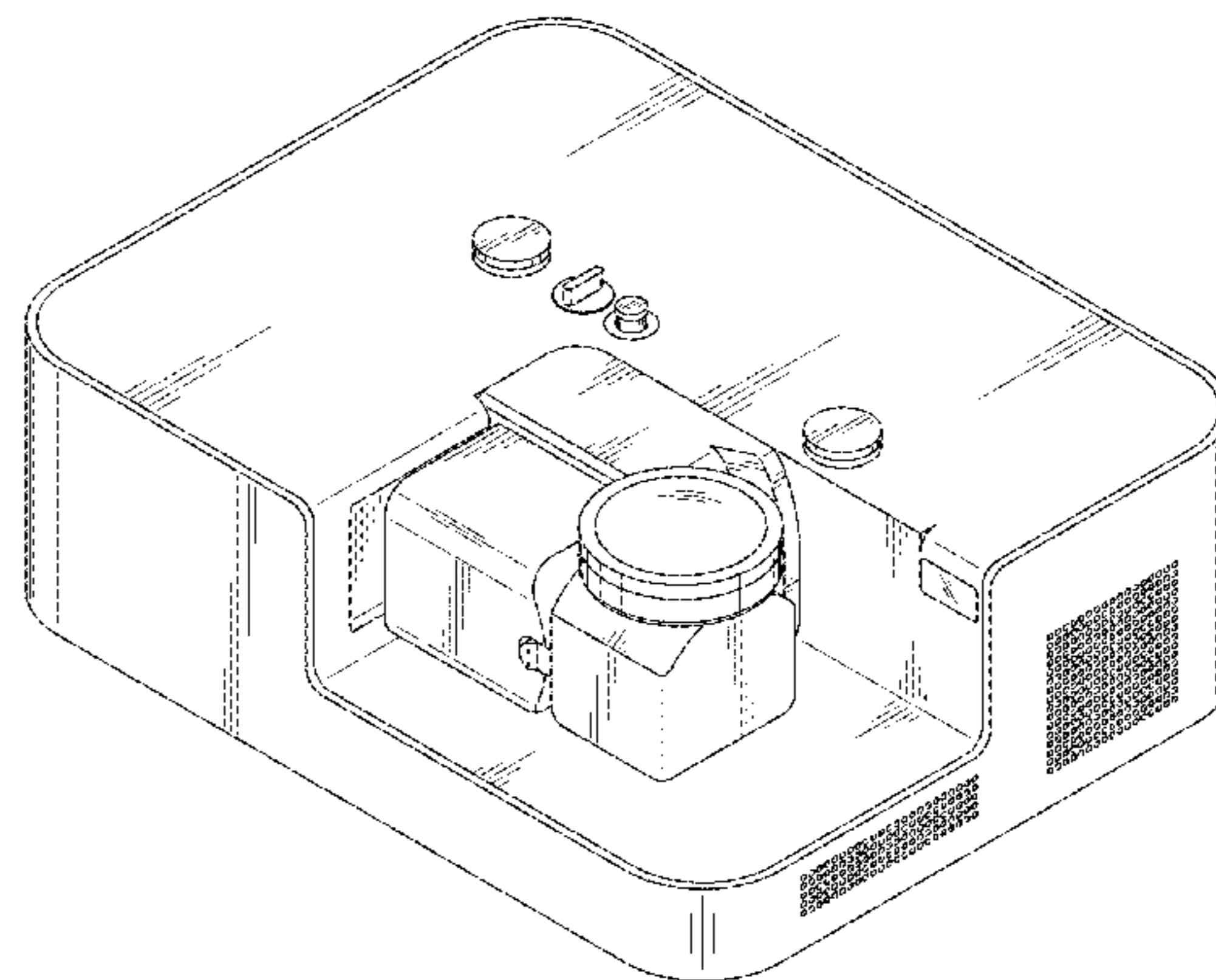
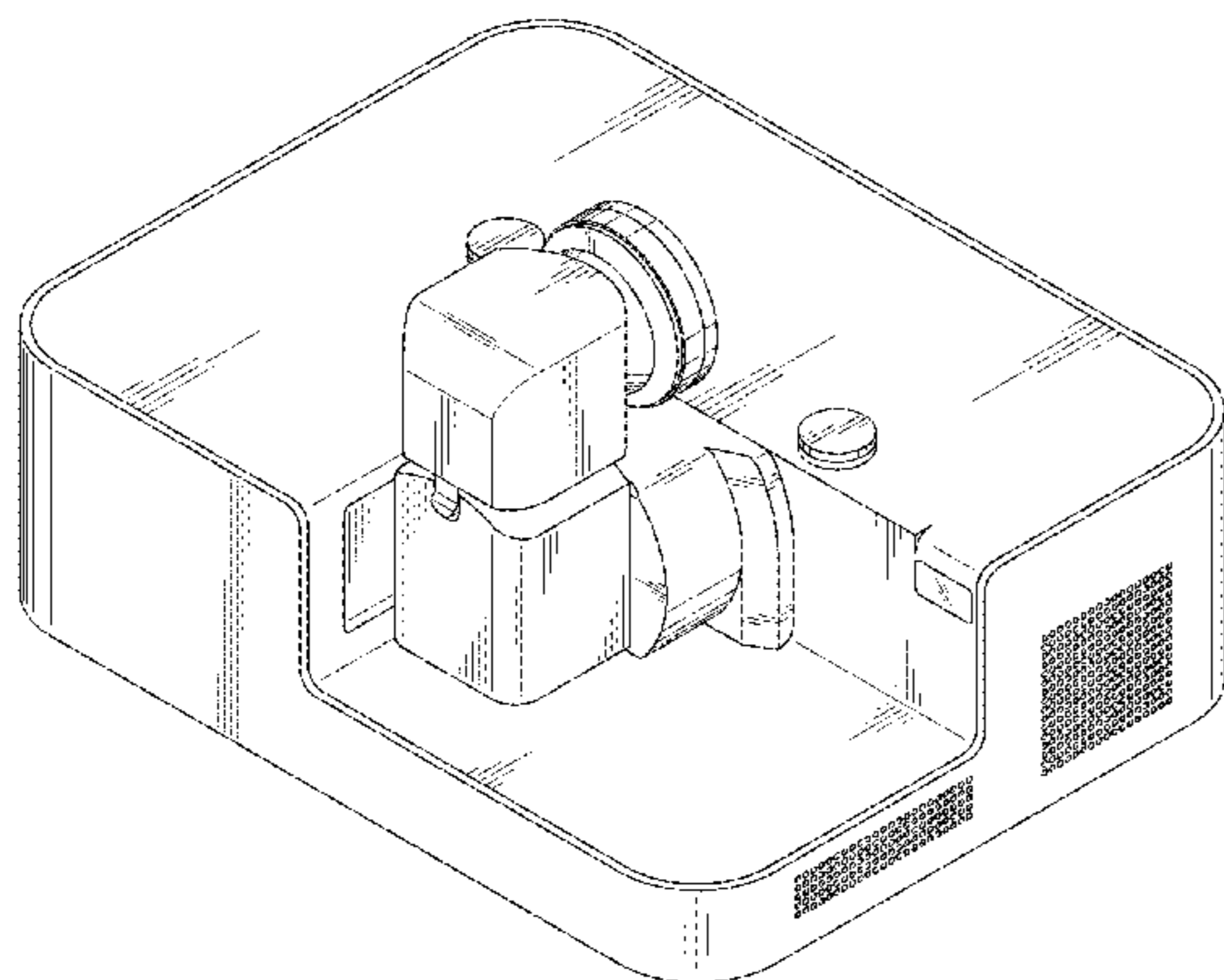


FIG. 27 is a bottom plan view thereof;
FIG. 28 is a right side view thereof;
FIG. 29 is a left side view thereof;
FIG. 30 is a right perspective view of a projector illustrating the situation that the lens is directed to fourth direction, showing my new design;
FIG. 31 is a front view thereof;
FIG. 32 is a rear view thereof;
FIG. 33 is a top plan view thereof;
FIG. 34 is a bottom plan view thereof;
FIG. 35 is a right side view thereof;
FIG. 36 is a left side view thereof;
FIG. 37 is a right perspective view of a projector illustrating the situation that the lens is directed to fifth direction, showing my new design;
FIG. 38 is a front view thereof;
FIG. 39 is a rear view thereof;
FIG. 40 is a top plan view thereof;
FIG. 41 is a bottom plan view thereof;
FIG. 42 is a right side view thereof;
FIG. 43 is a left side view thereof;
FIG. 44 is a right perspective view of a projector illustrating the situation that the lens is directed to sixth direction, showing my new design;
FIG. 45 is a front view thereof;
FIG. 46 is a rear view thereof;
FIG. 47 is a top plan view thereof;
FIG. 48 is a bottom plan view thereof;

FIG. 49 is a right side view thereof; and,
FIG. 50 is a left side view thereof.

1 Claim, 43 Drawing Sheets

(58) **Field of Classification Search**

CPC G03B 21/14; G03B 21/144; G03B 21/145;
G03B 21/12; G03B 21/16; G03B 21/00;
G03B 21/001; G03B 21/003

See application file for complete search history.

(56) **References Cited**

U.S. PATENT DOCUMENTS

D527,407	S	*	8/2006	Kawasaki	D16/225
D636,426	S	*	4/2011	Kawaguchi	D16/225
D683,782	S	*	6/2013	Ishibashi	D16/230
D710,925	S	*	8/2014	Tabuchi	D16/230
D757,148	S	*	5/2016	Amikura	D16/230
D774,586	S	*	12/2016	Yamamoto	D16/225

OTHER PUBLICATIONS

Japanese Office Action, dated Jul. 27, 2018, for Japanese counterpart Application No. 2018-001720, along with an English translation.

* cited by examiner

FIG. 1

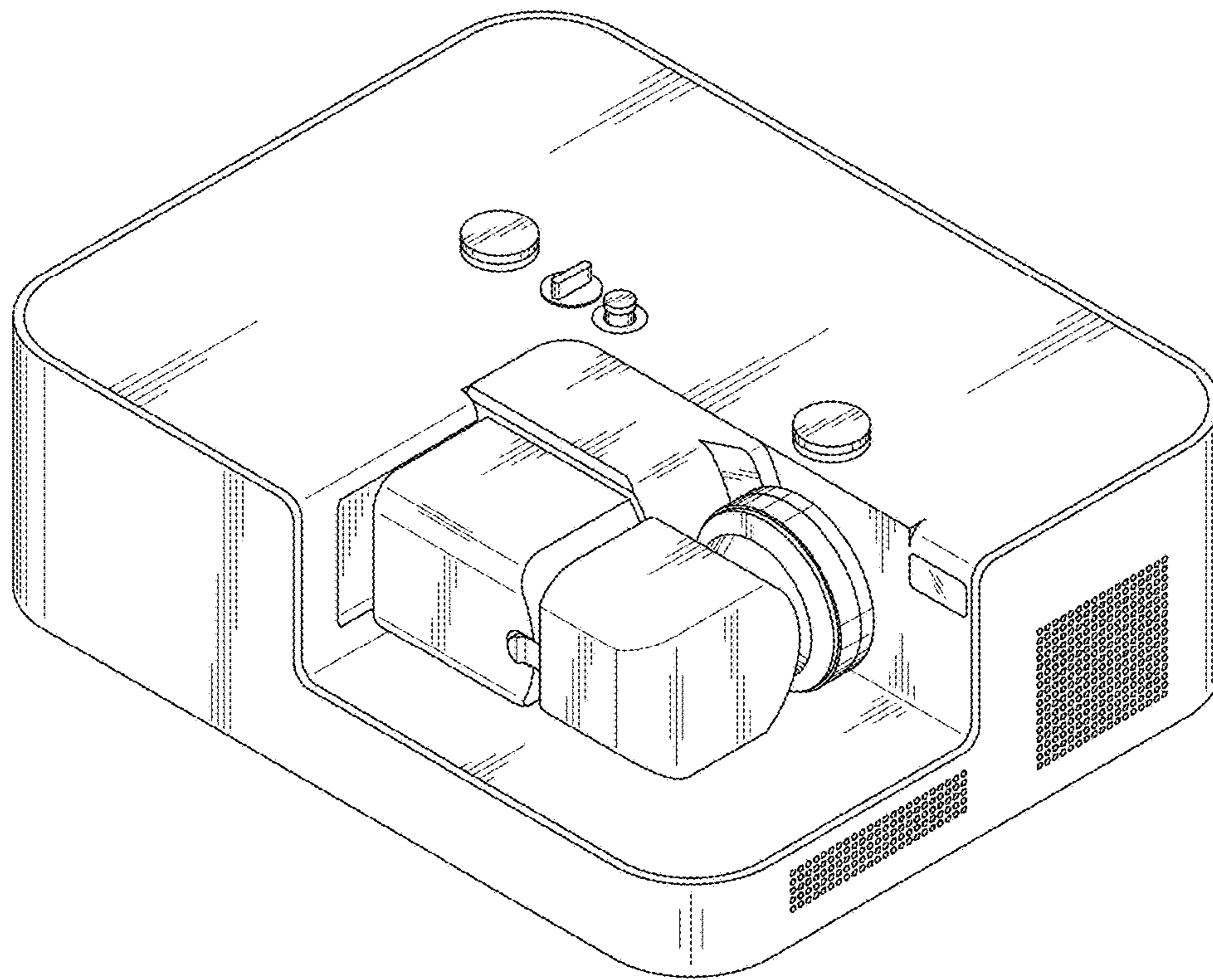


FIG. 2

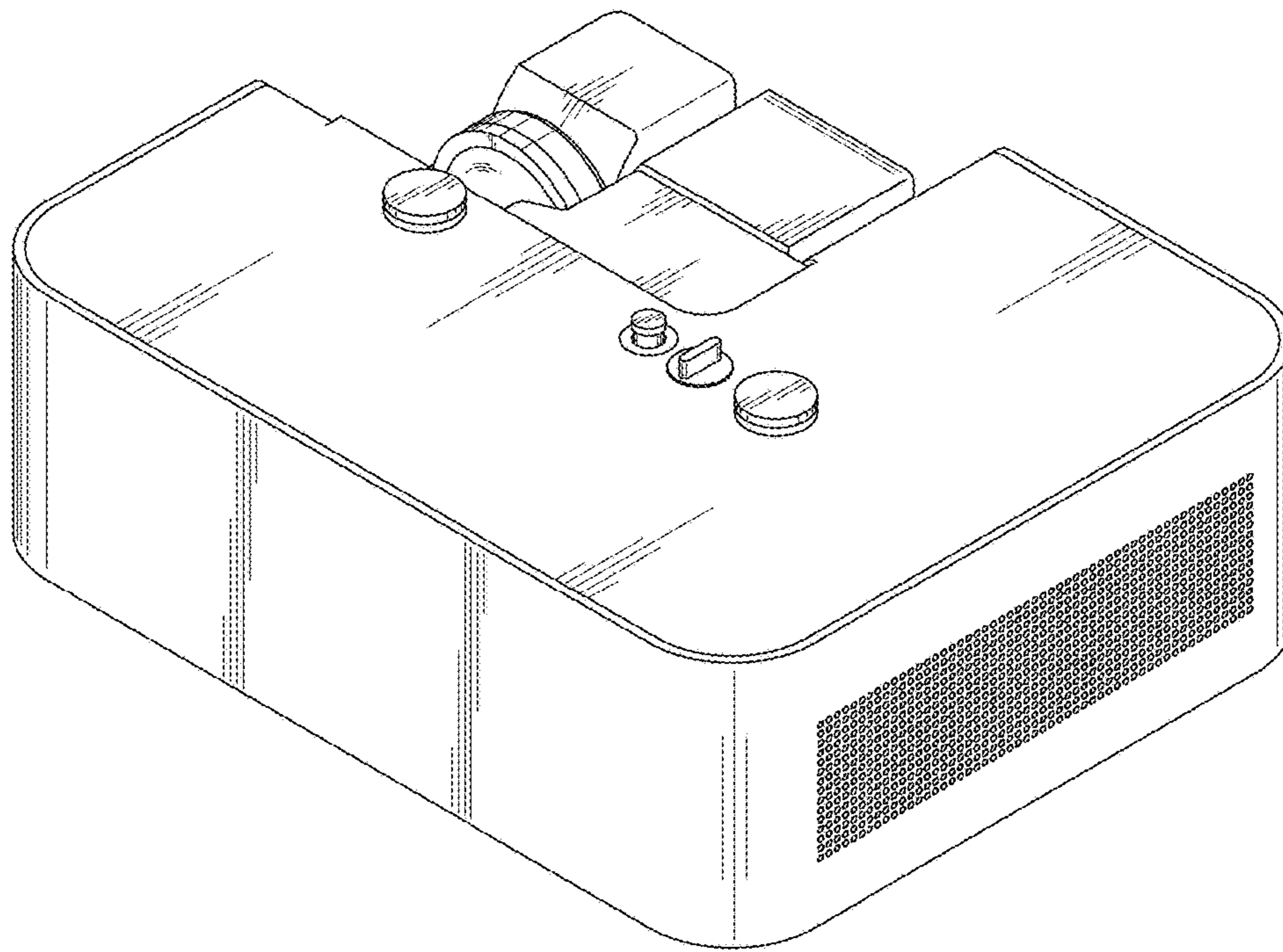


FIG. 3

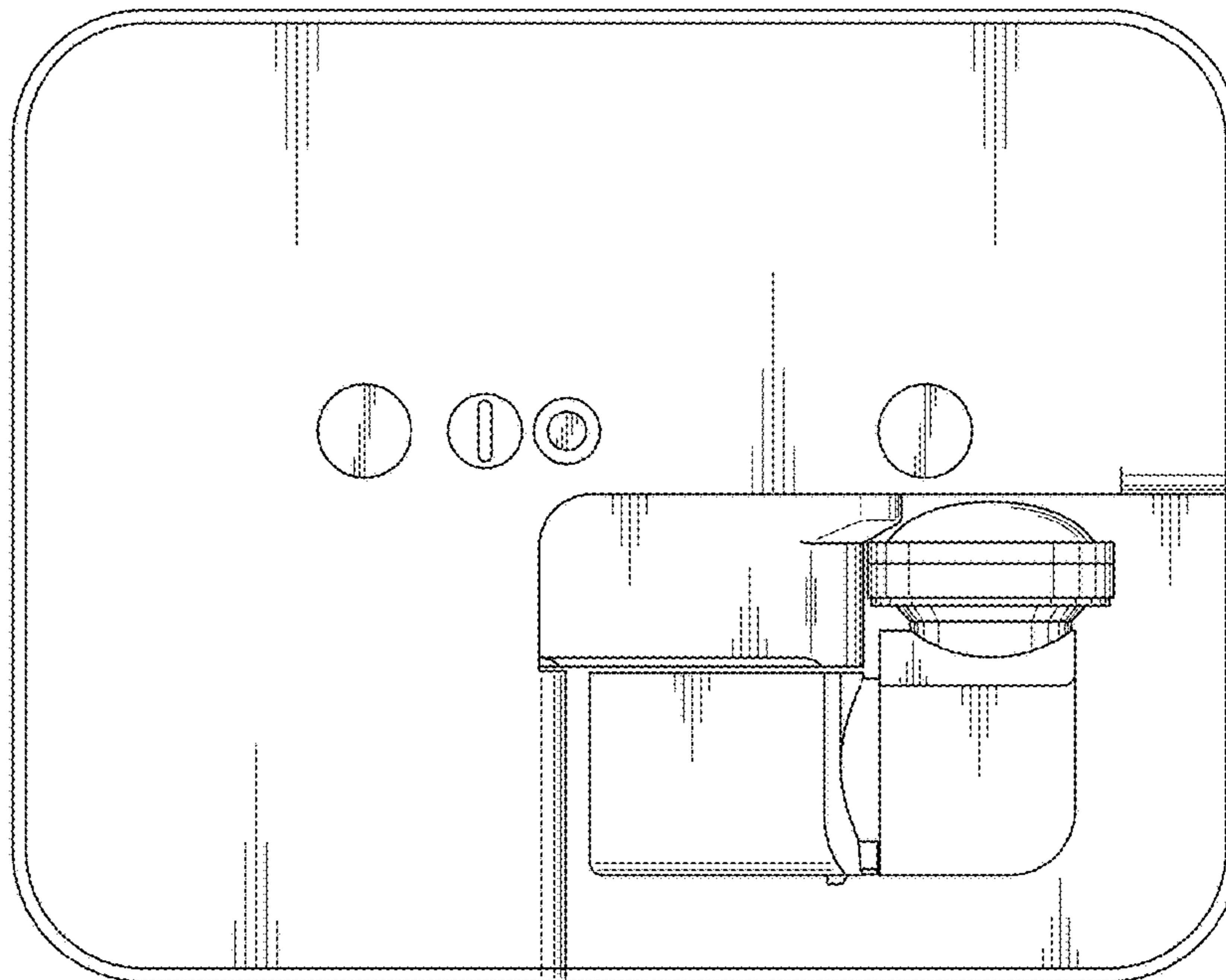


FIG. 4

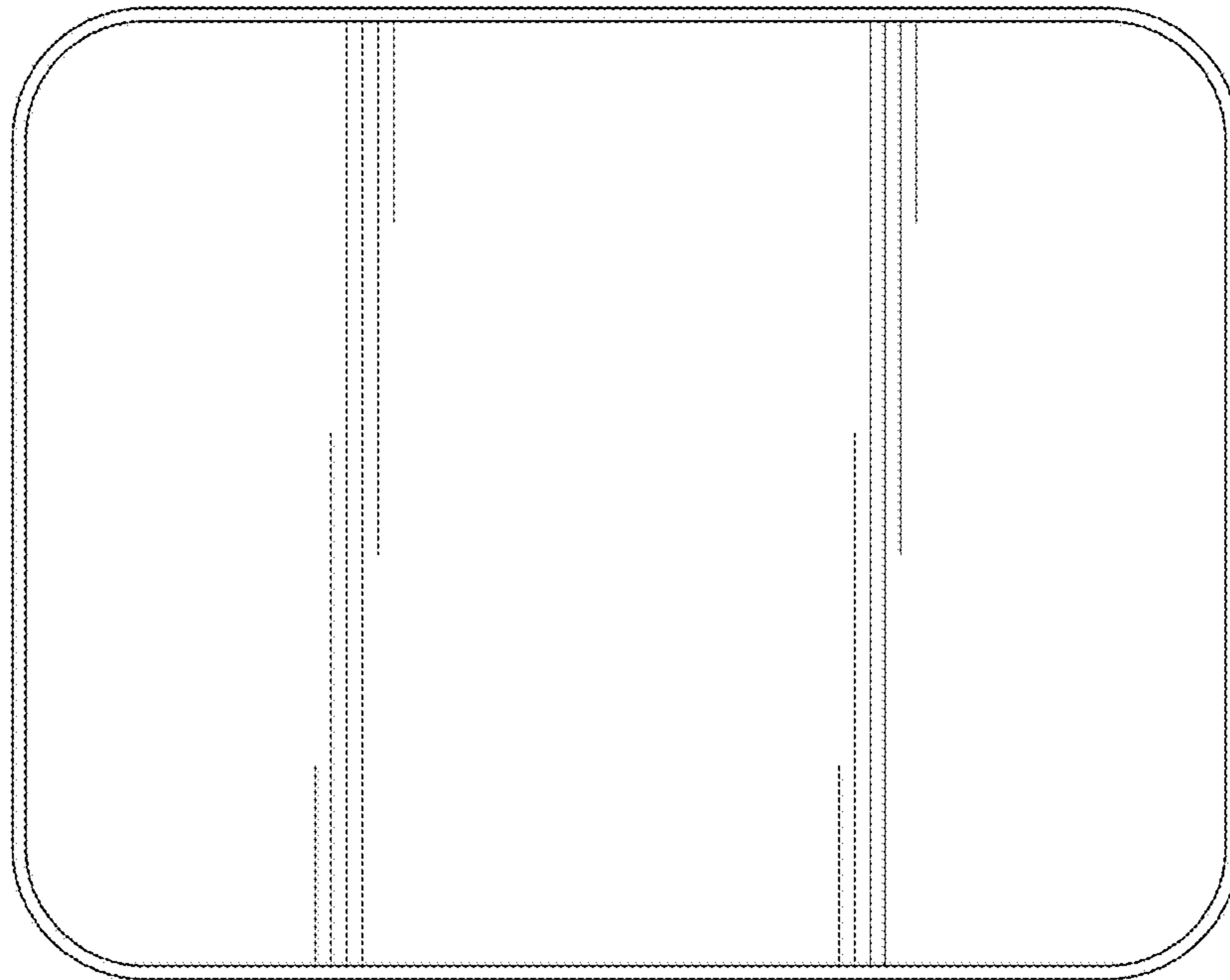


FIG. 5

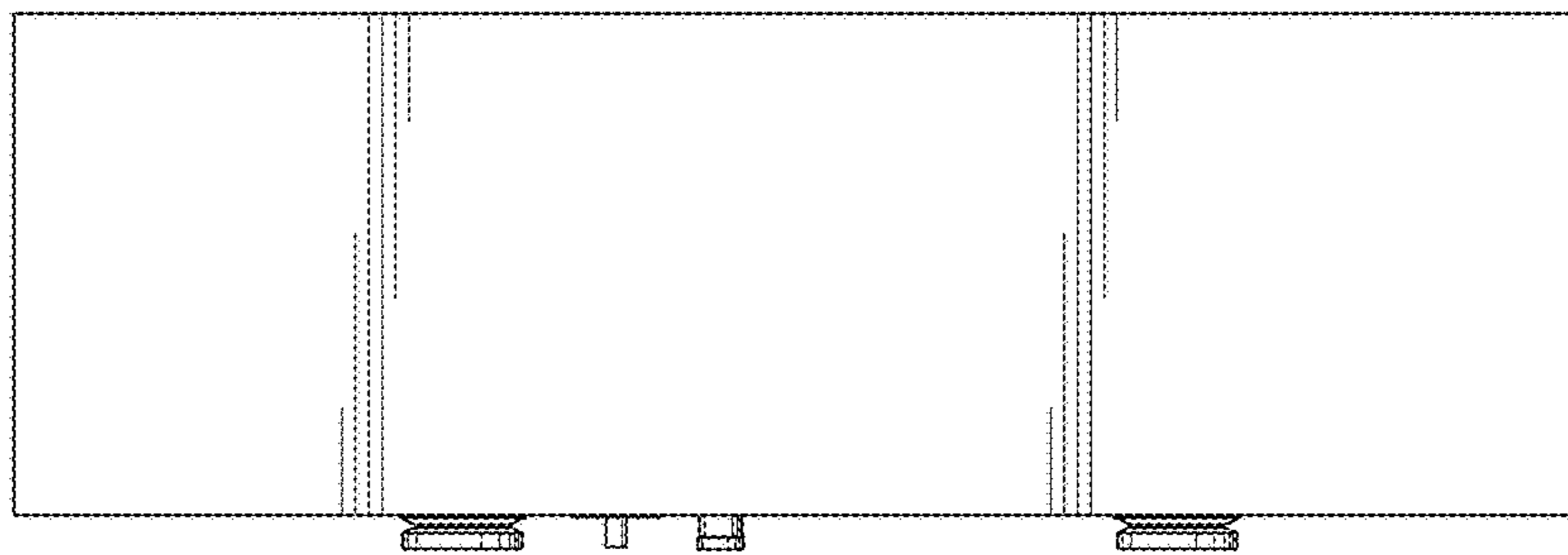


FIG. 6

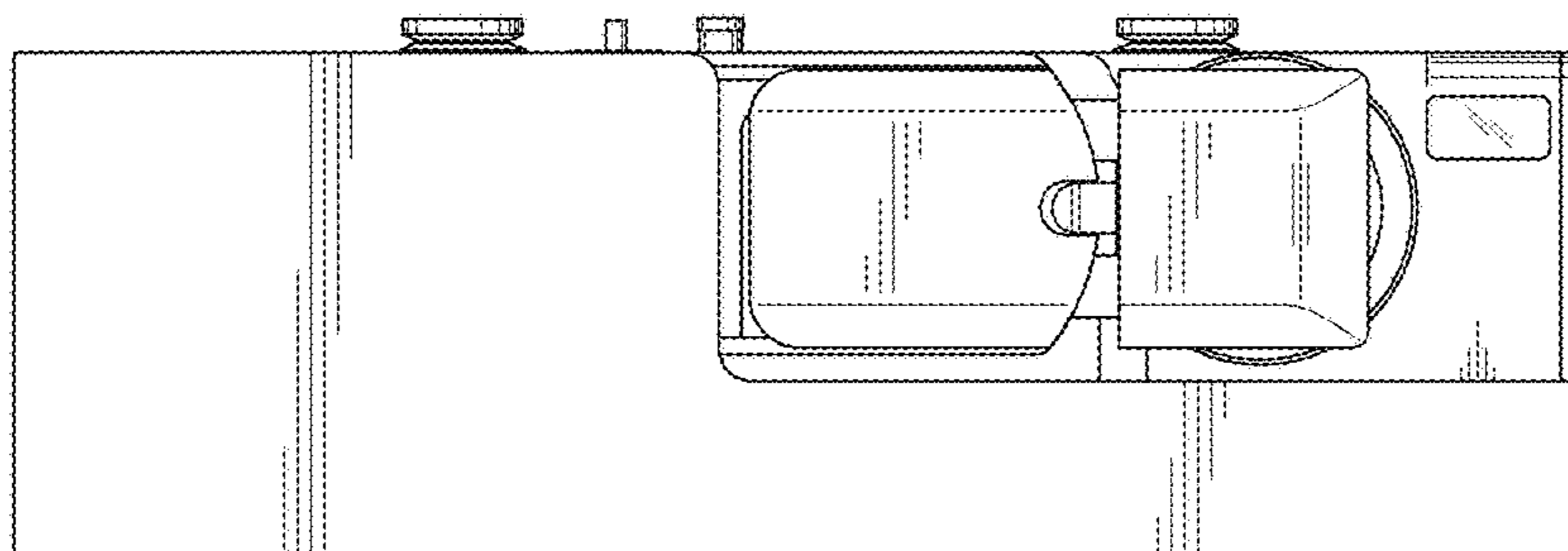


FIG. 7

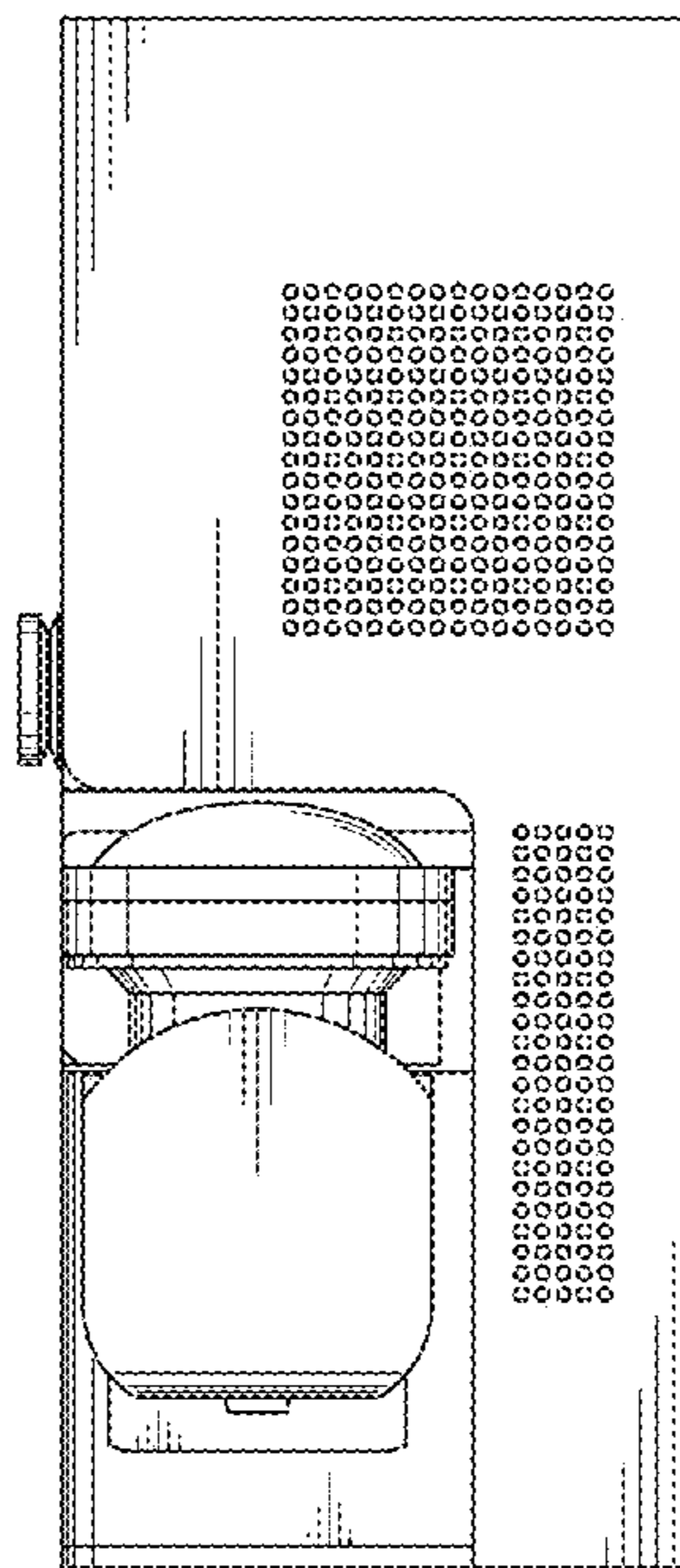


FIG. 8

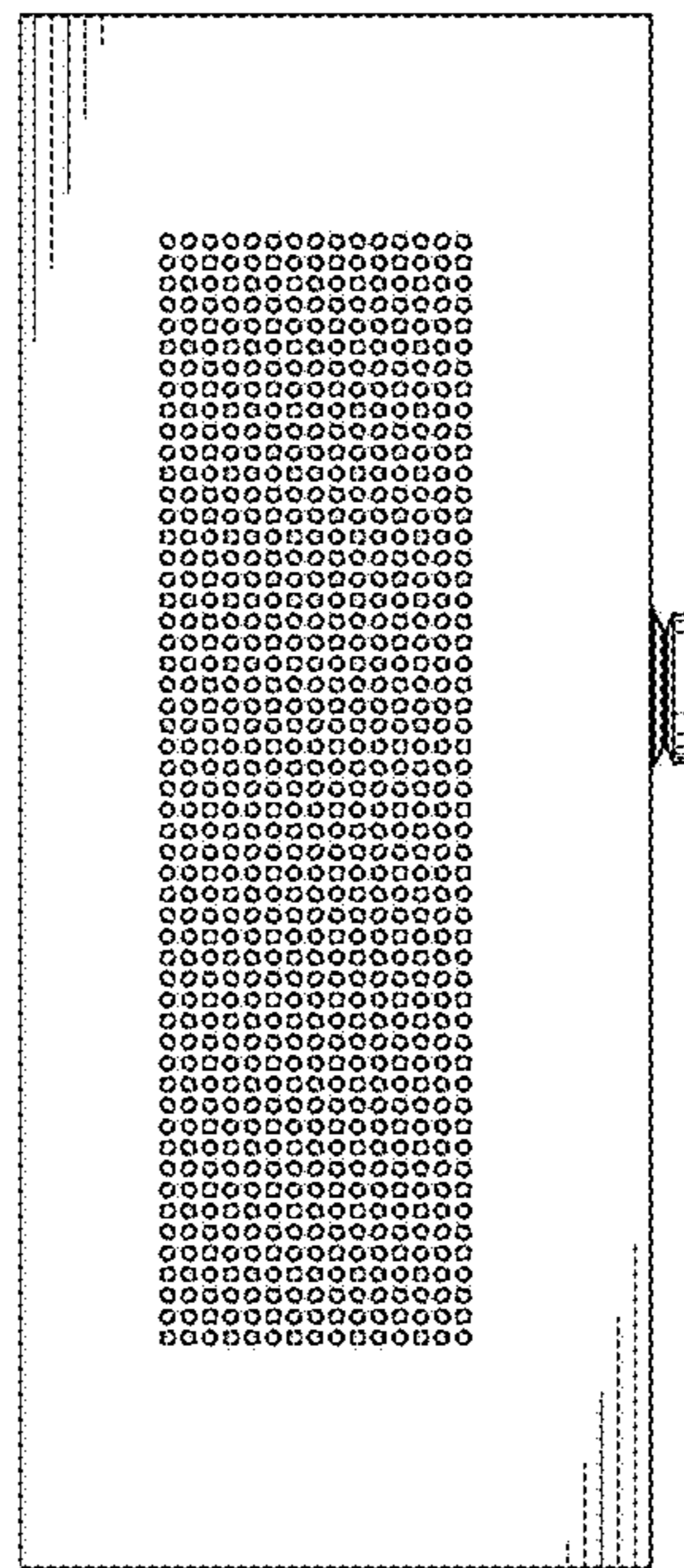


FIG. 9

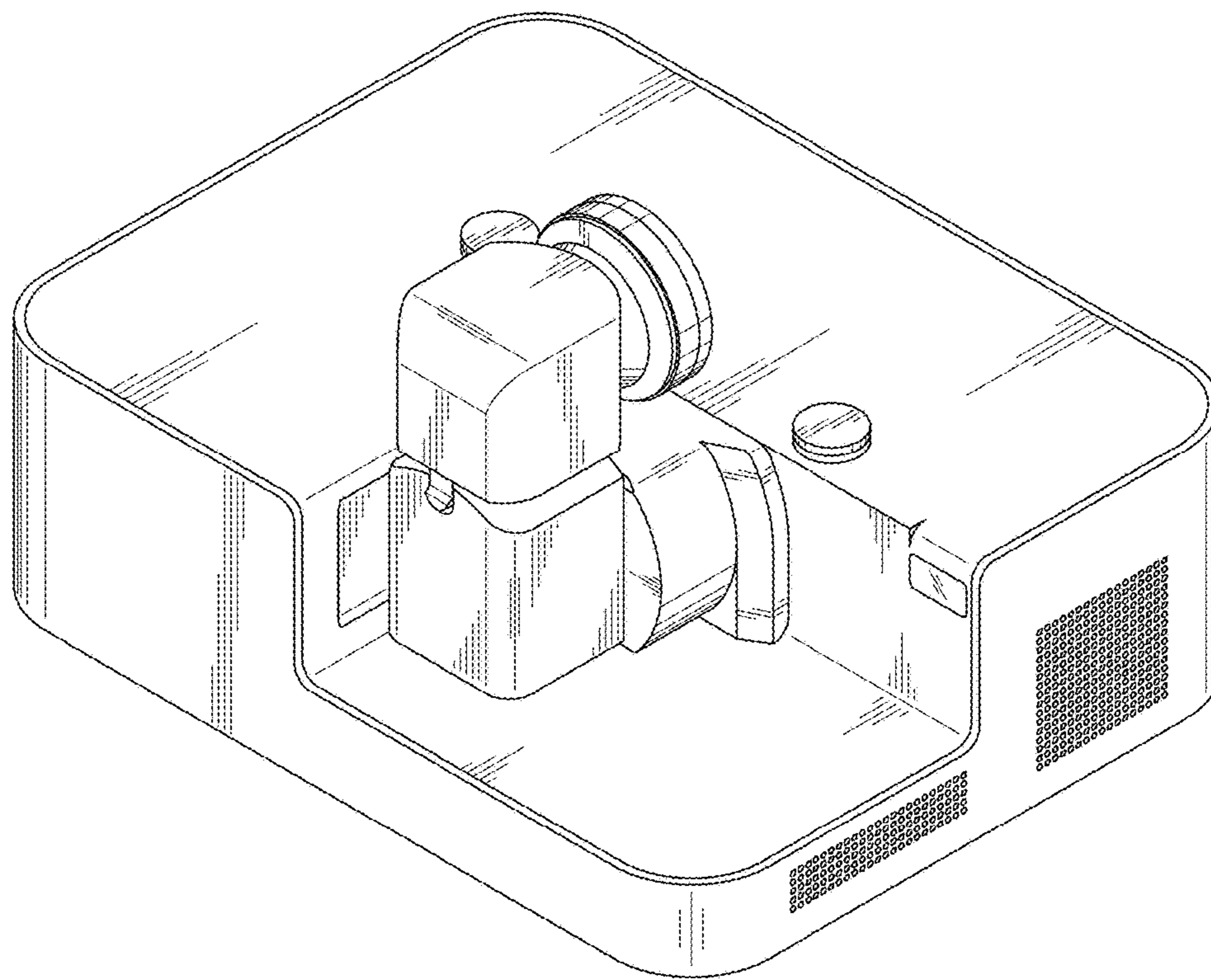


FIG. 10

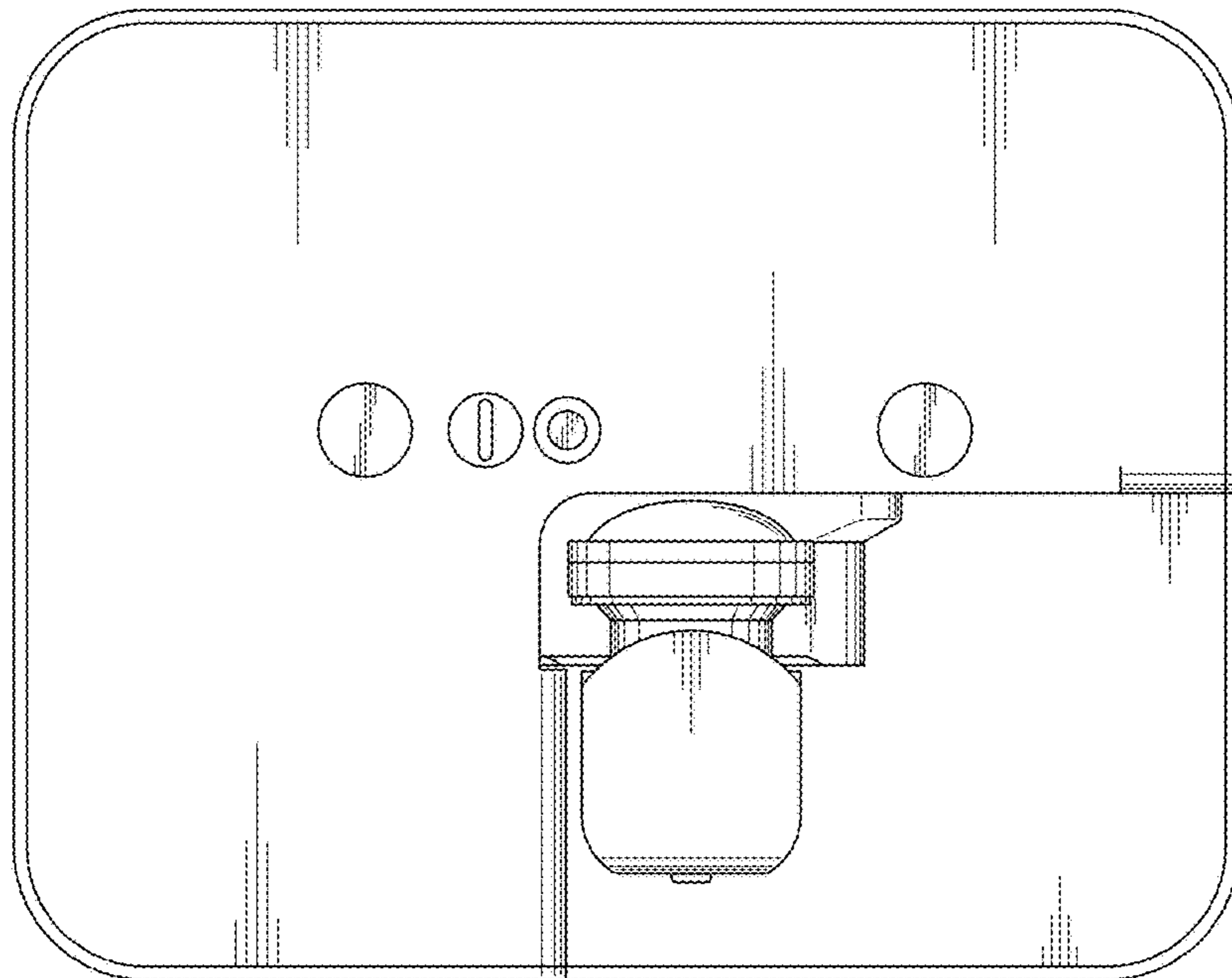


FIG. 11

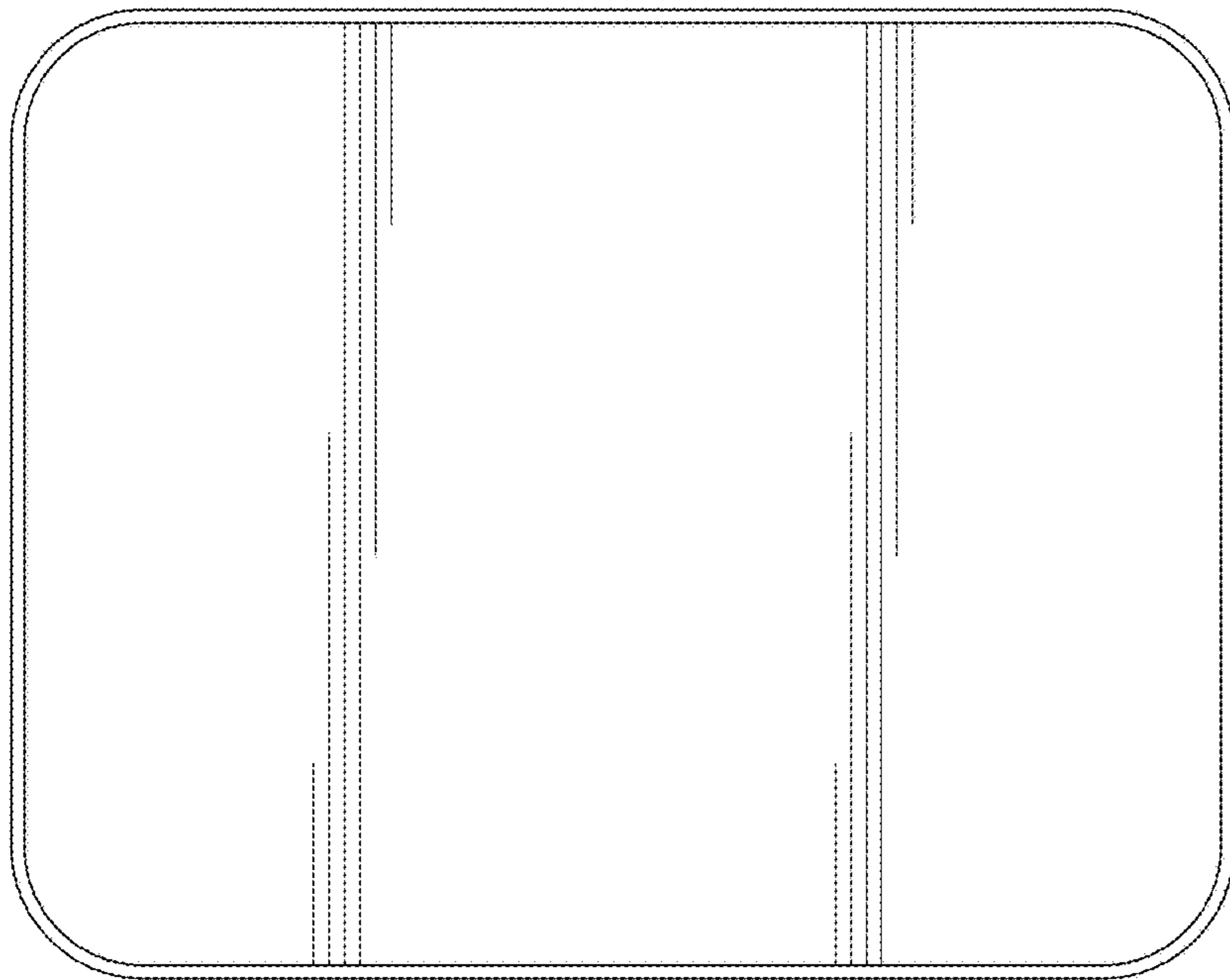


FIG. 12

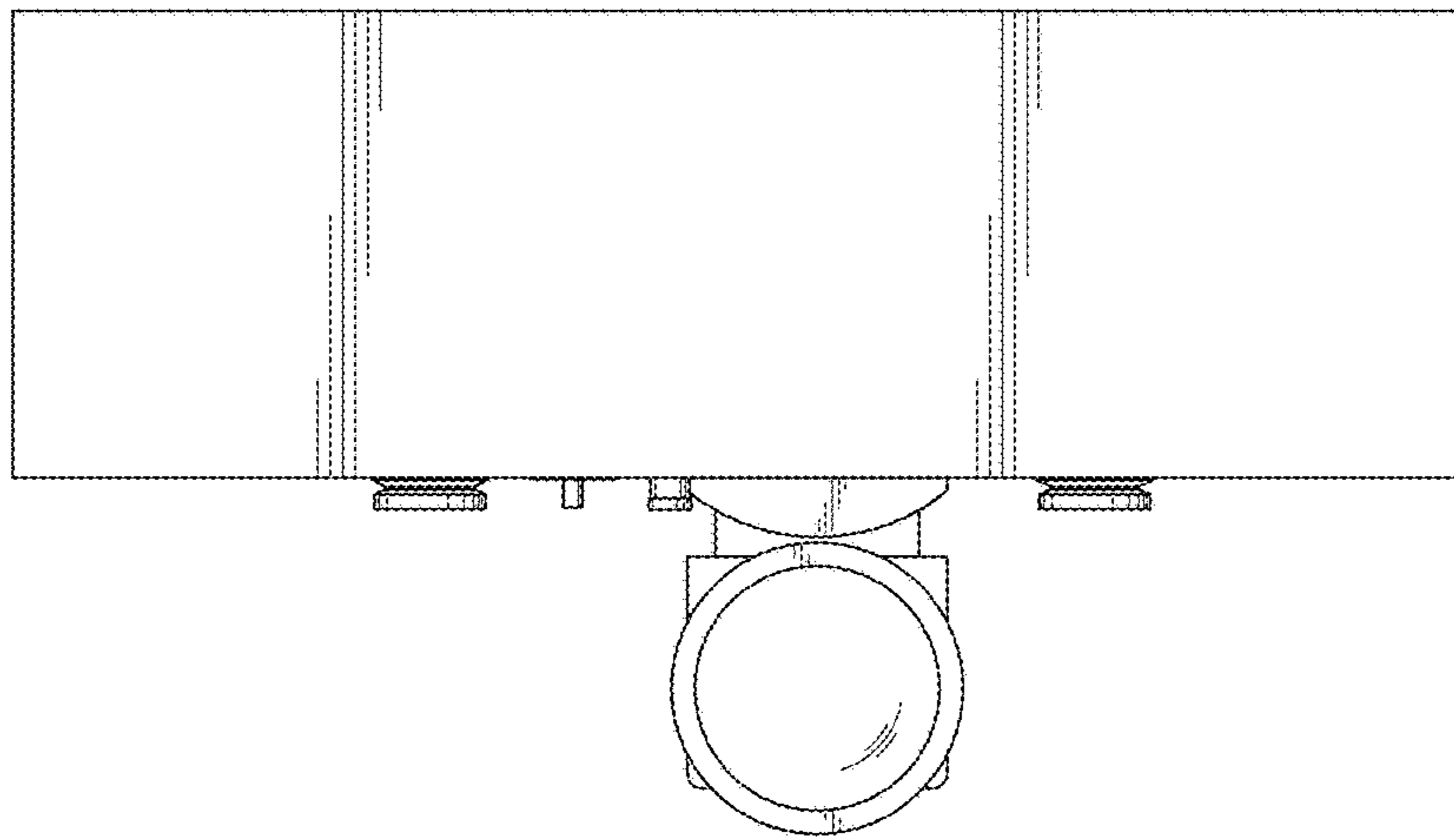


FIG. 13

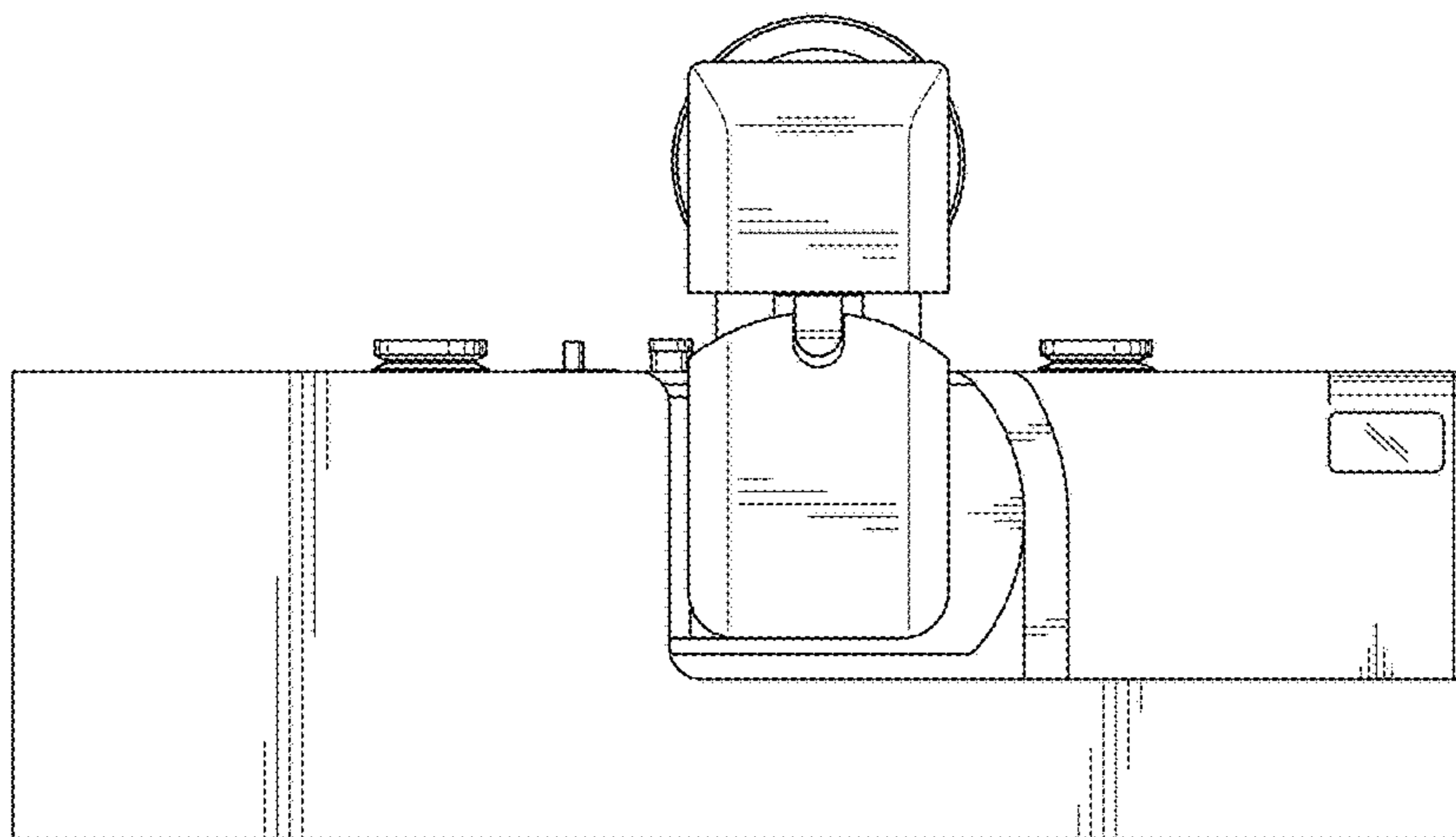


FIG. 14

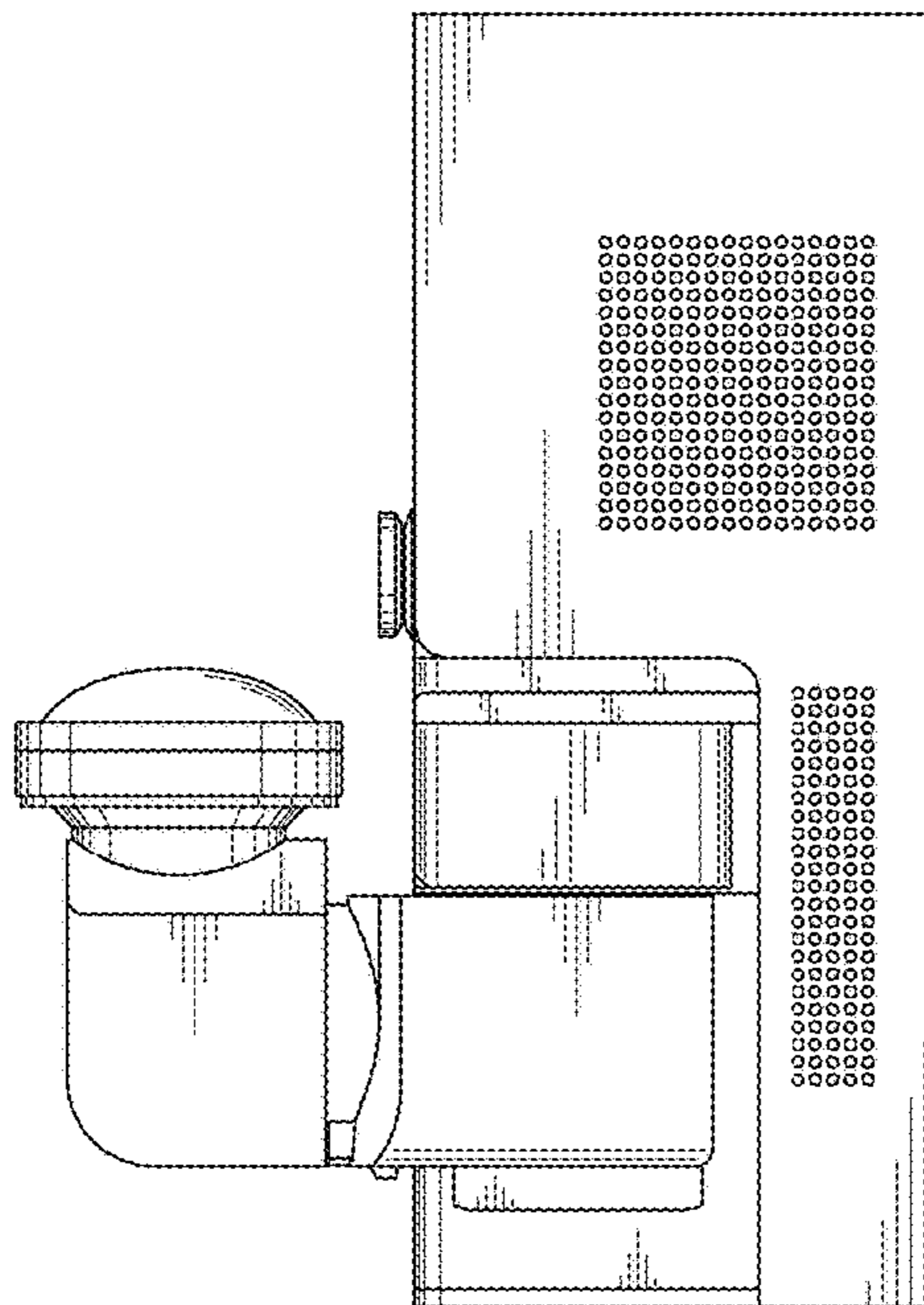


FIG. 15

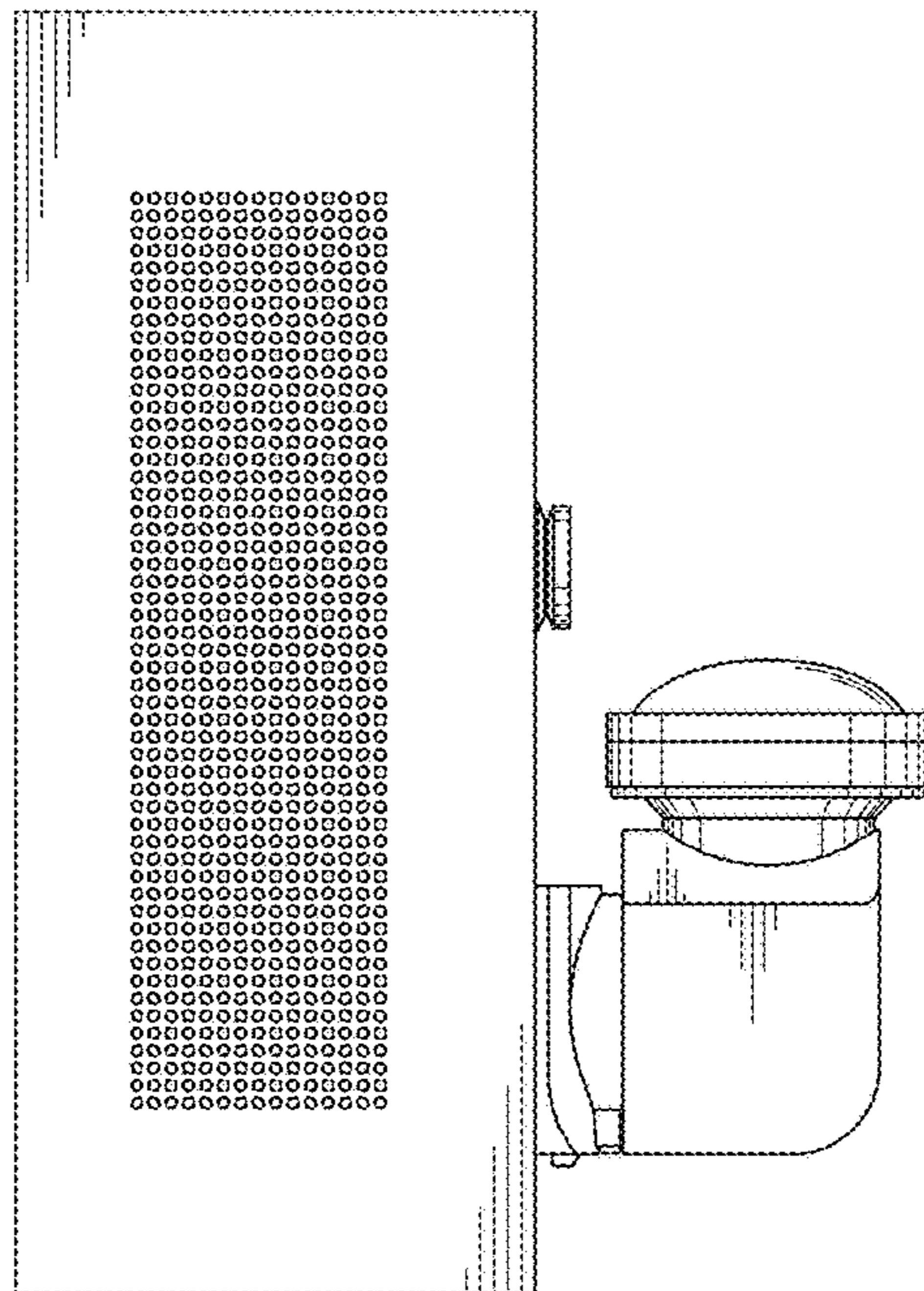


FIG. 16

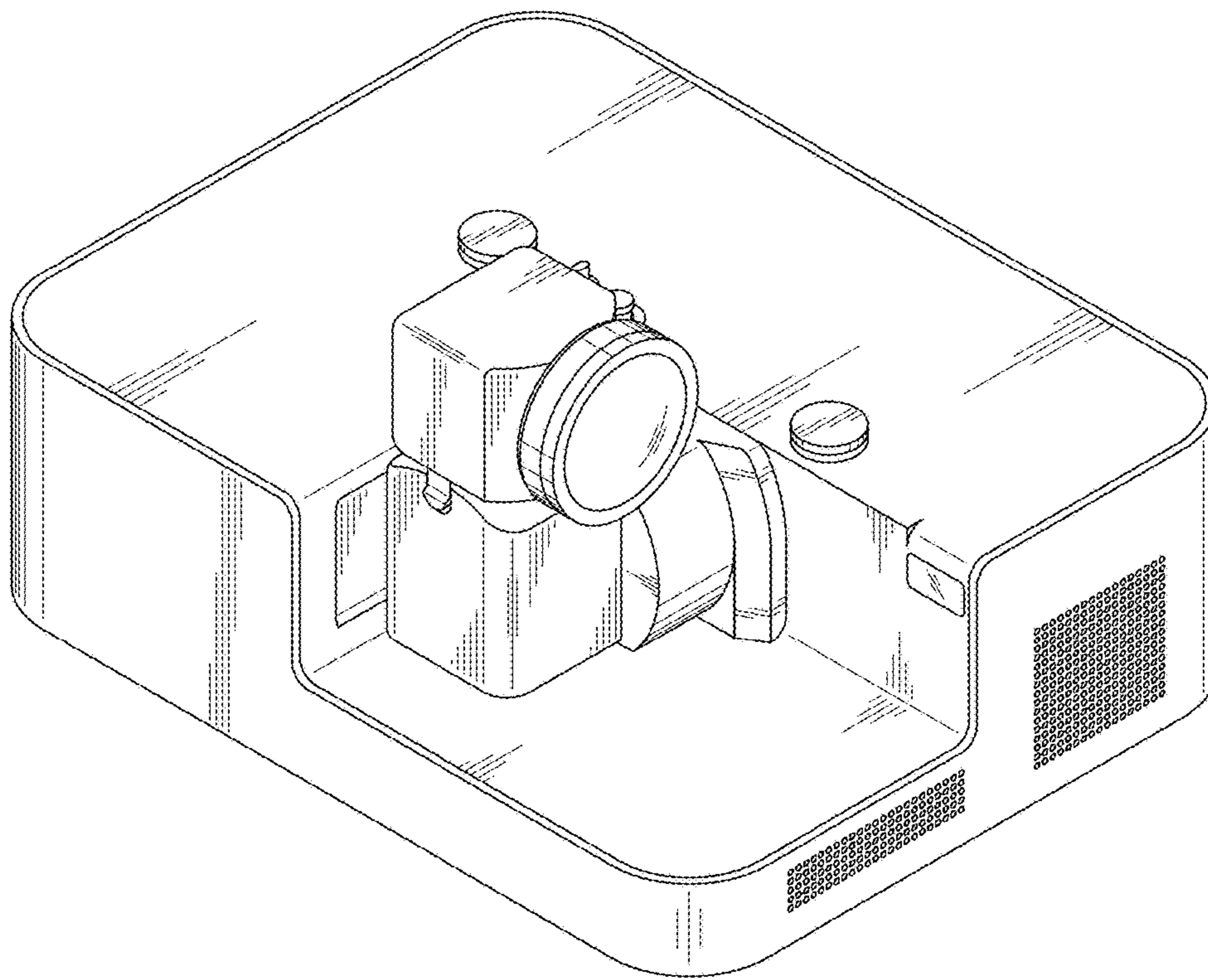


FIG. 17

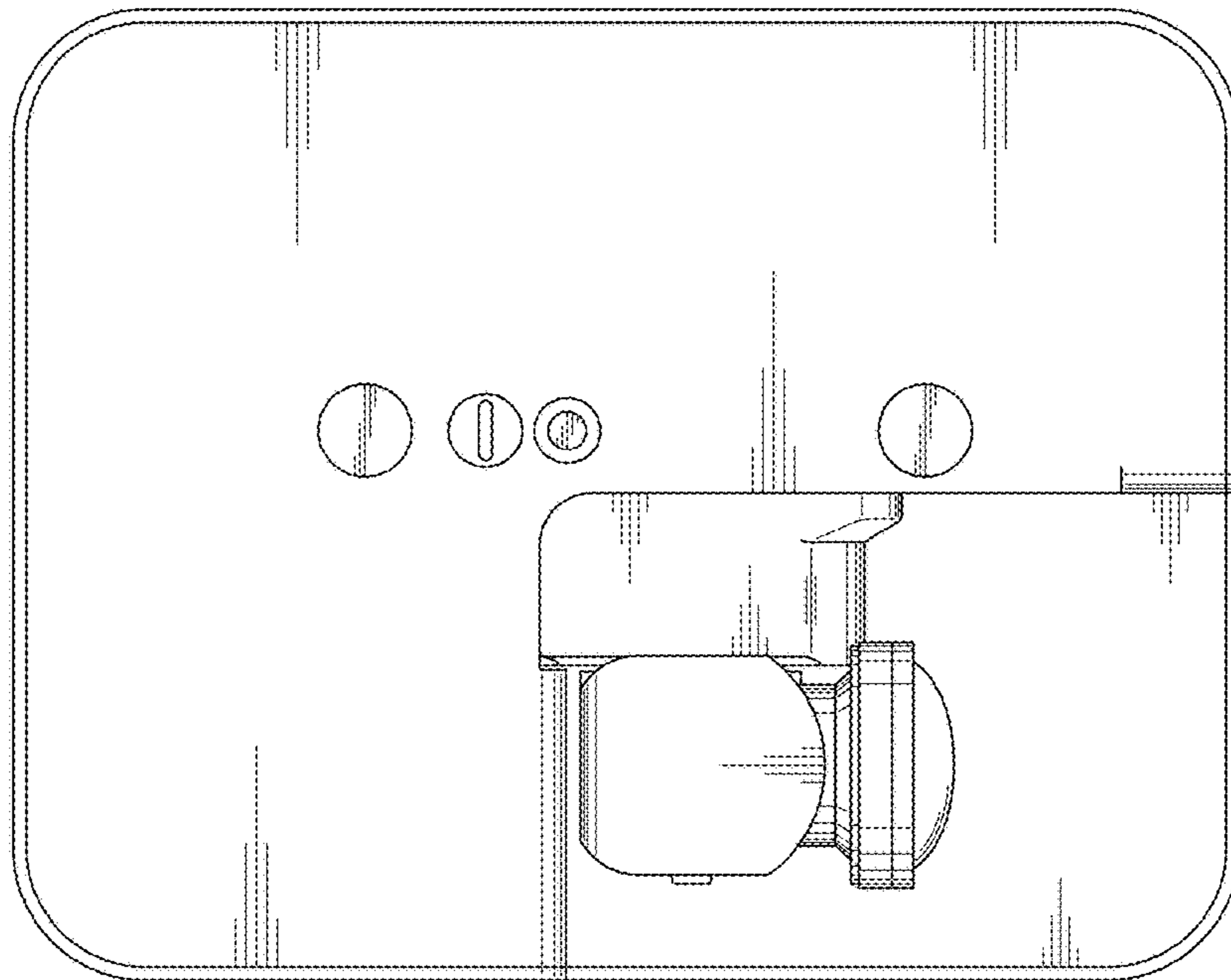


FIG. 18

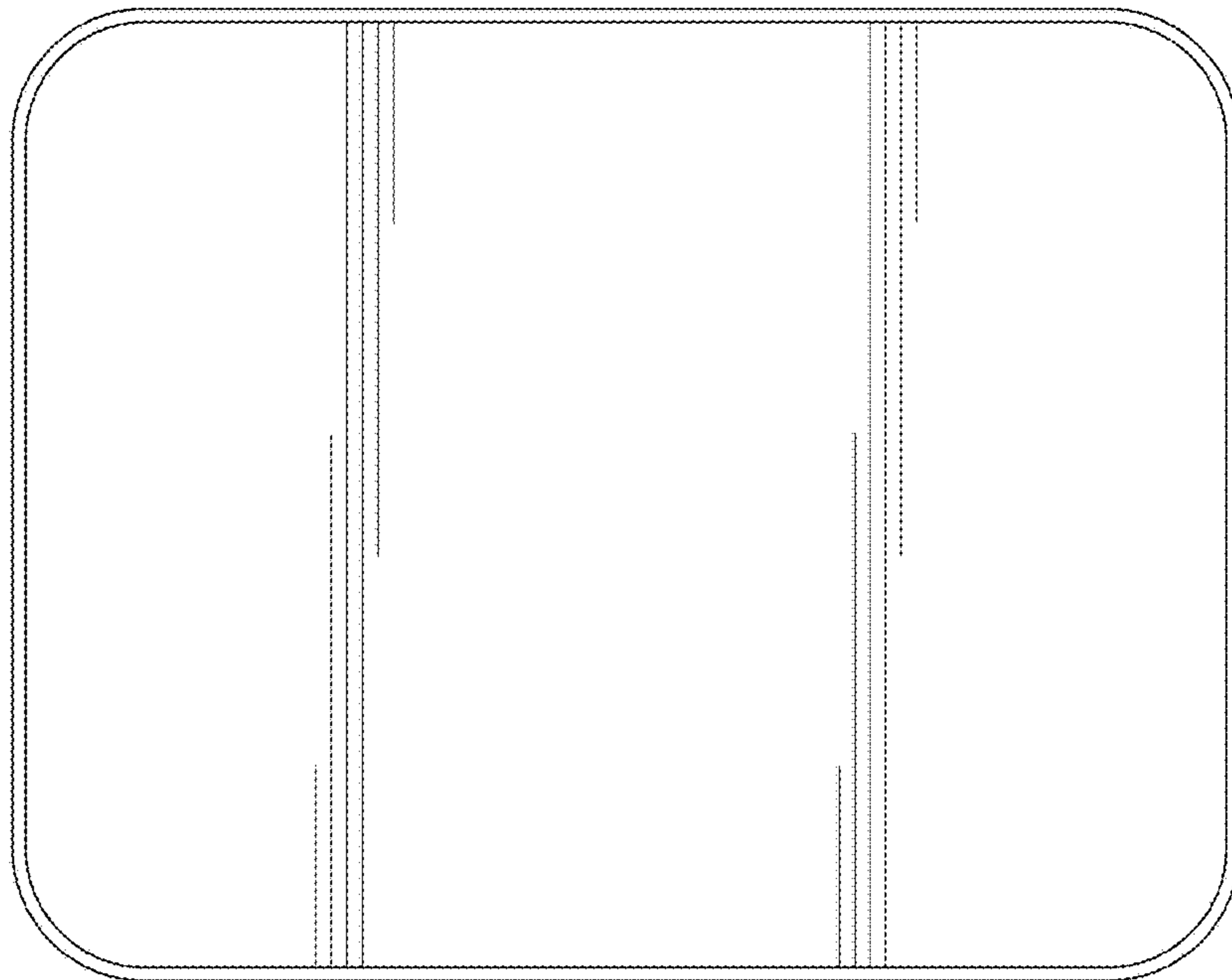


FIG. 19

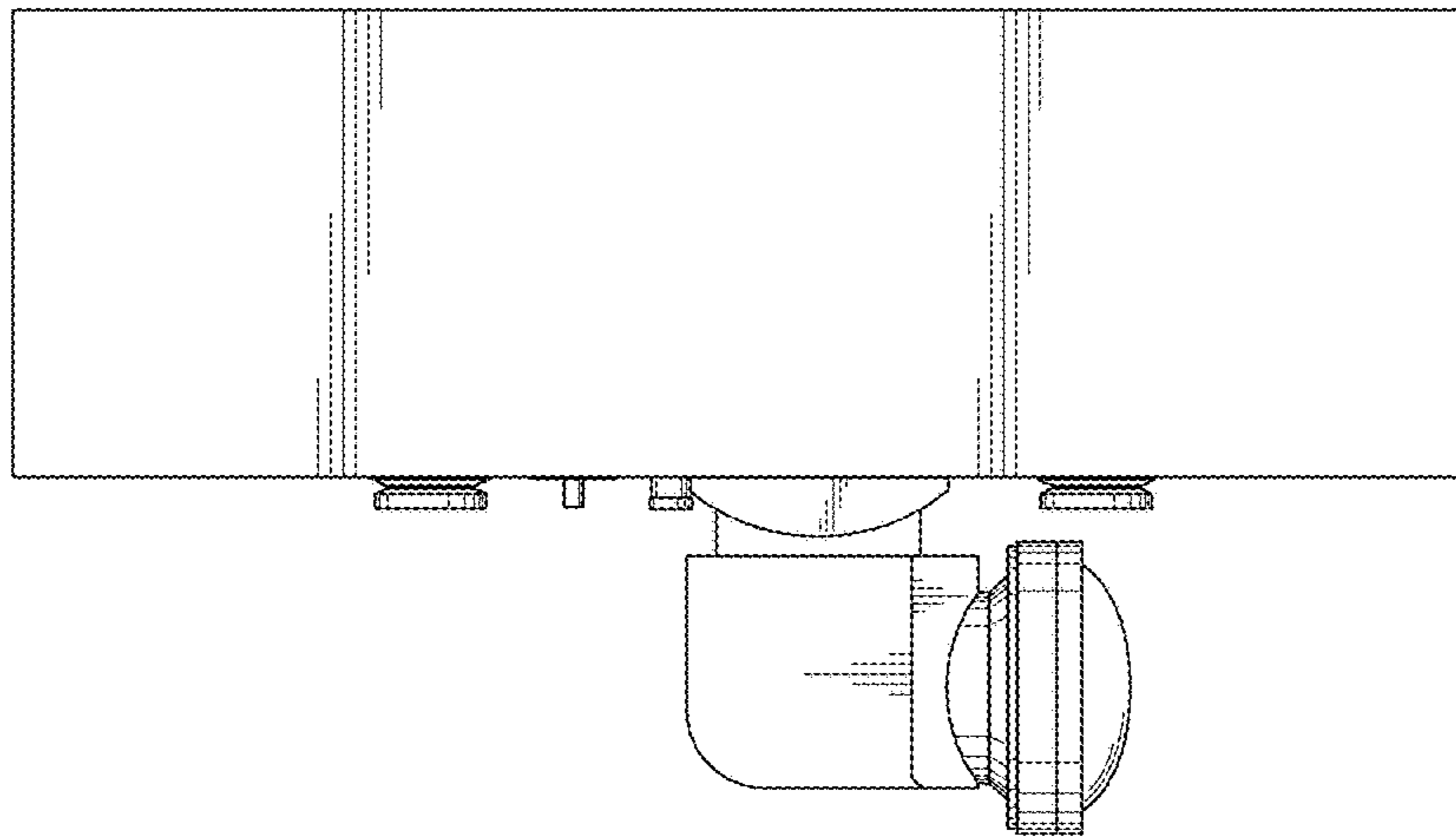


FIG. 20

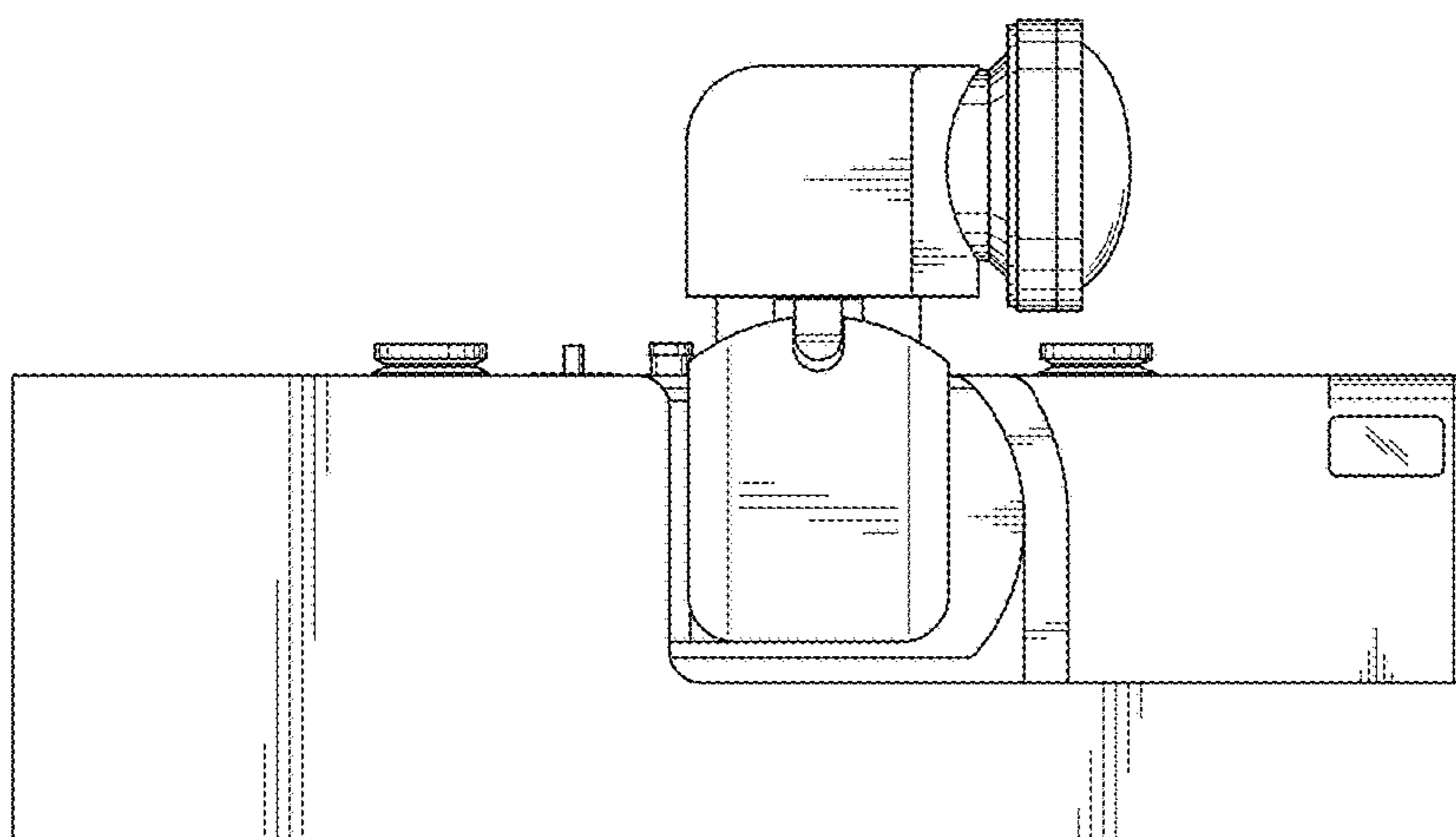


FIG. 21

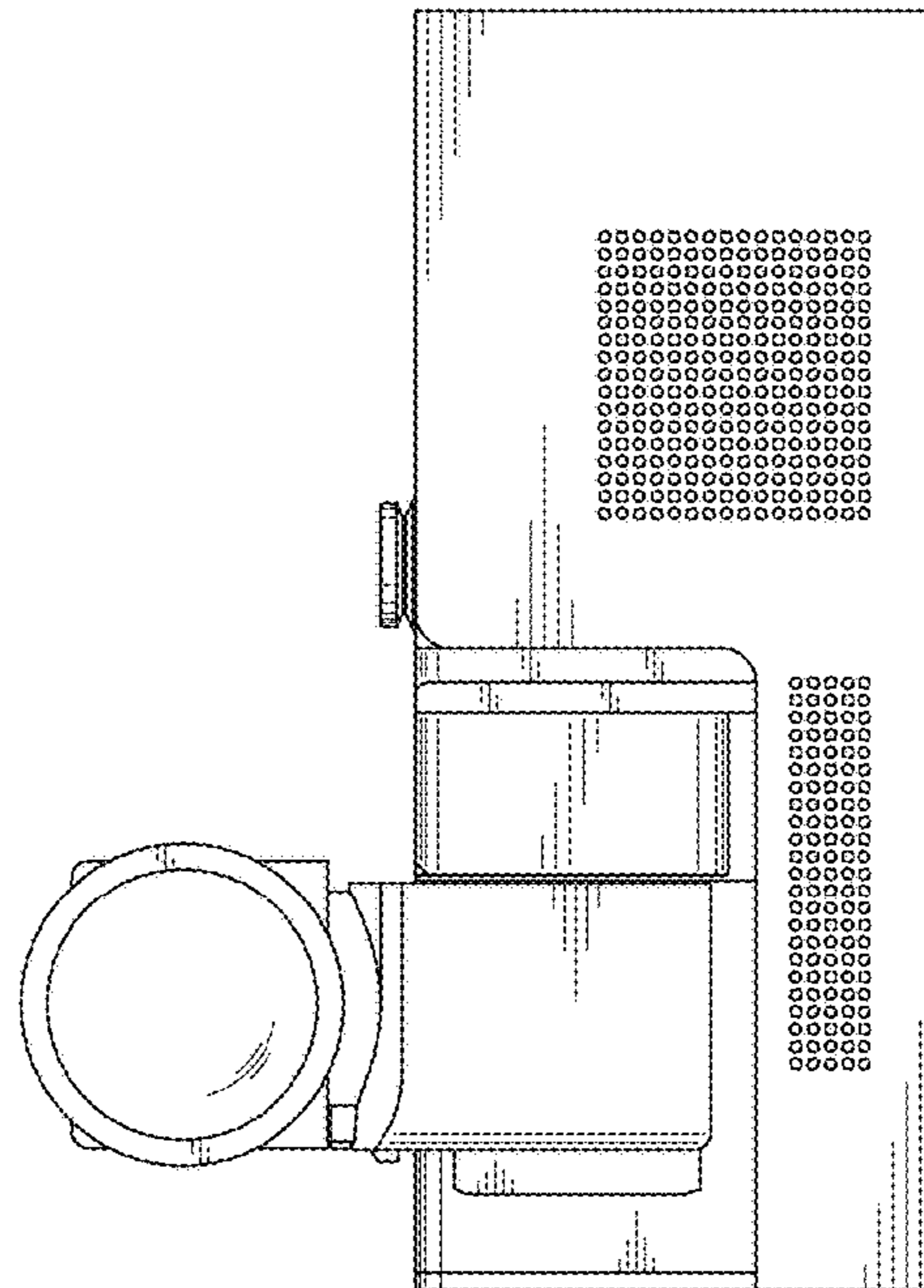


FIG. 22

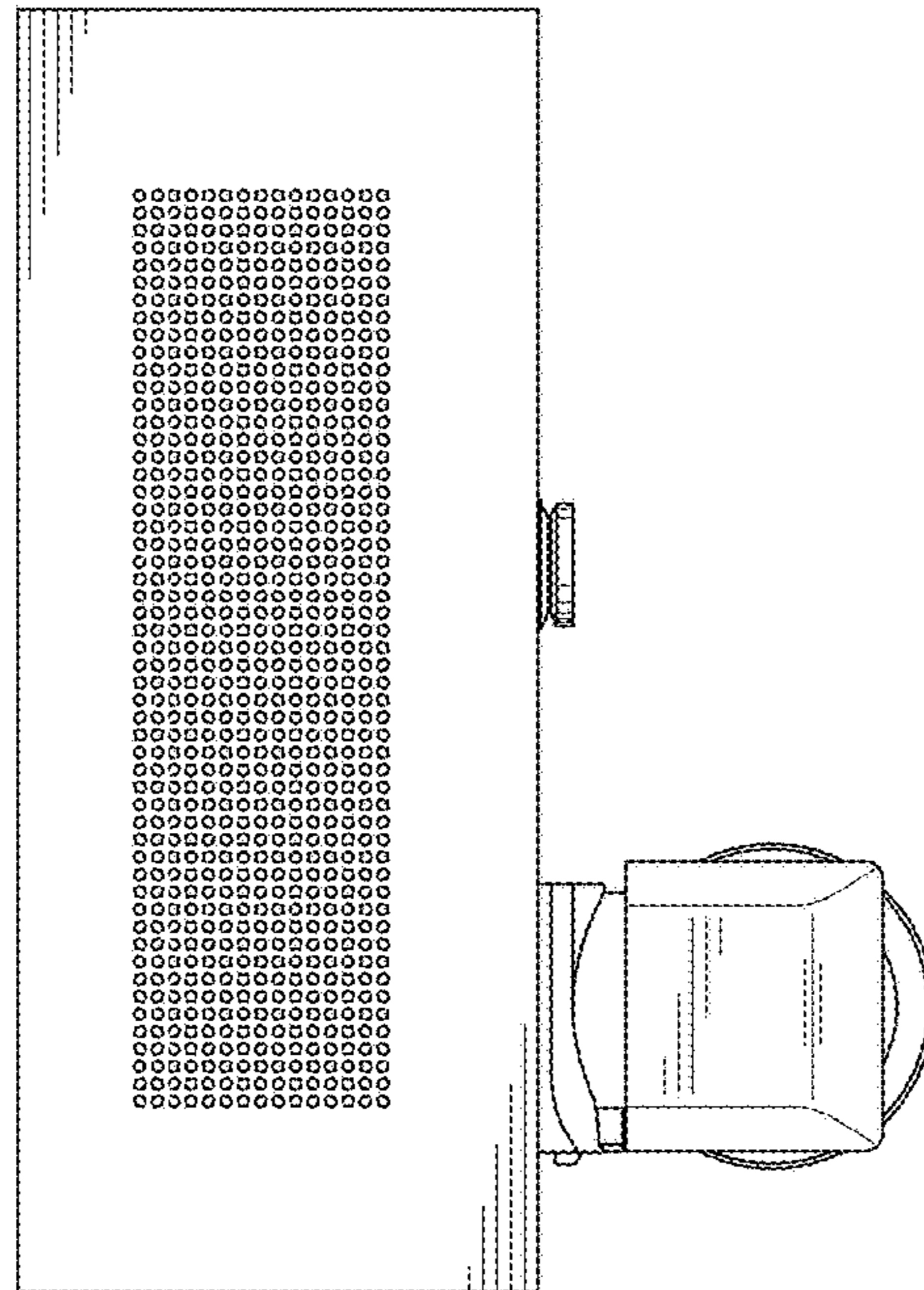


FIG. 23

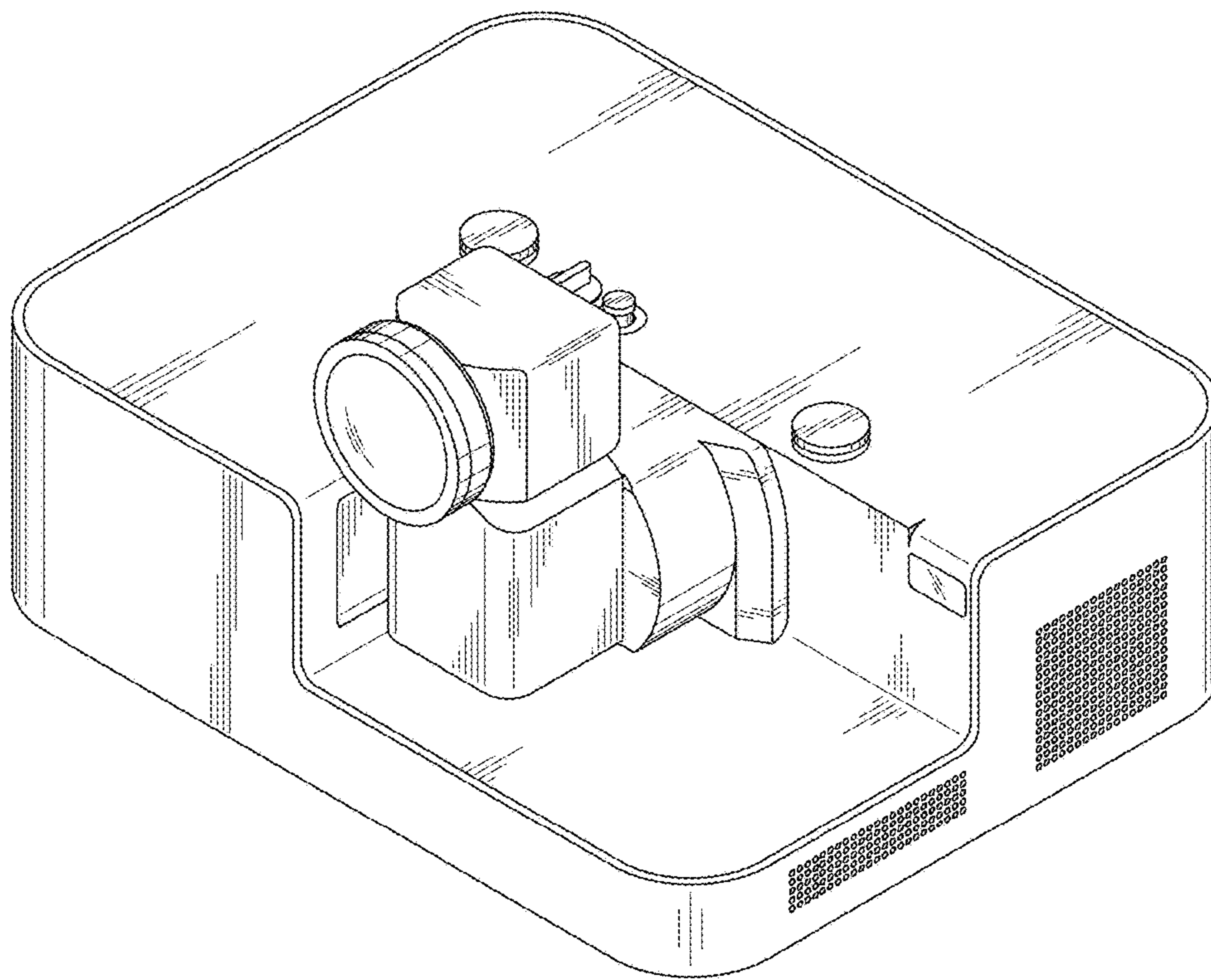


FIG. 24

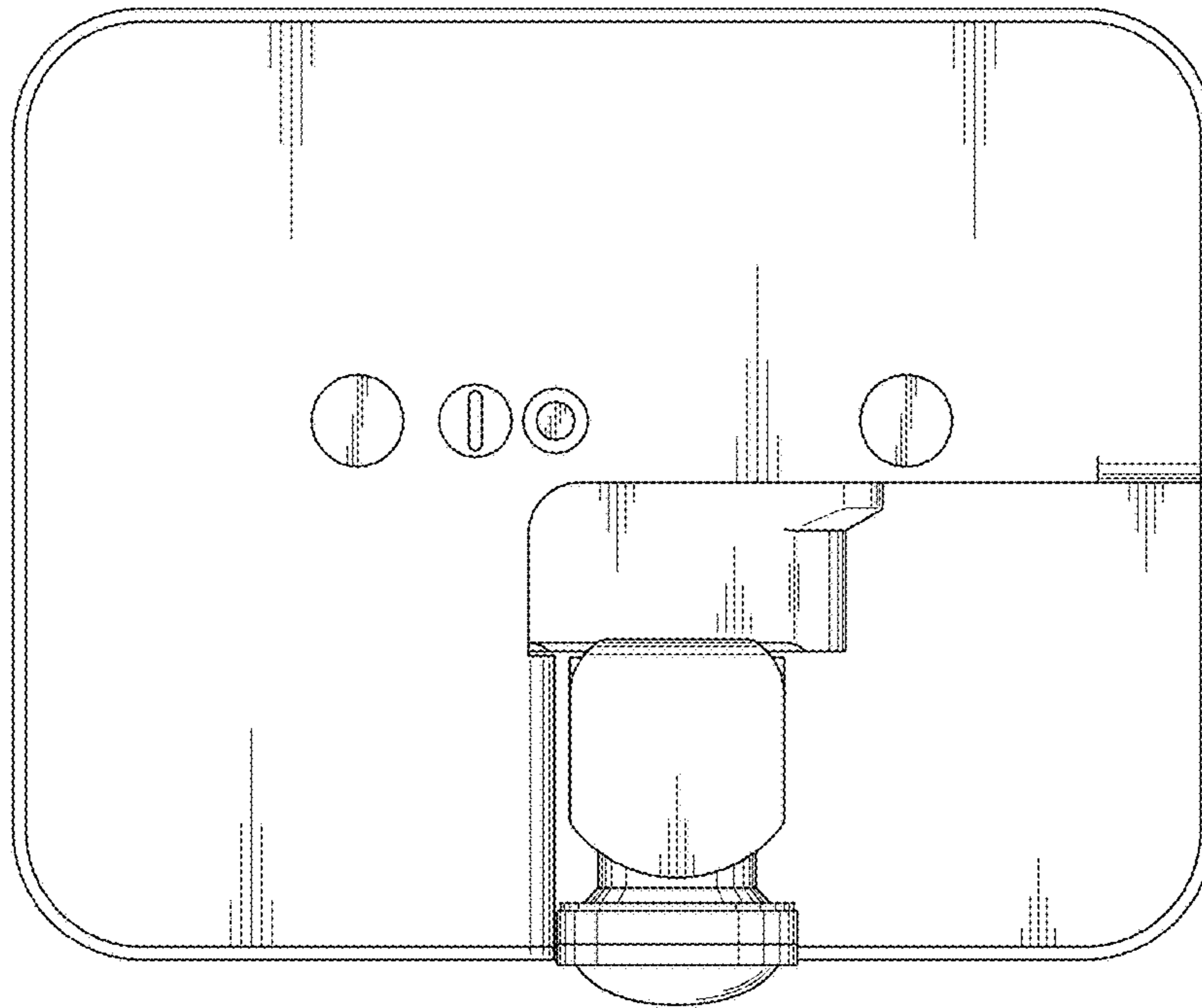


FIG. 25

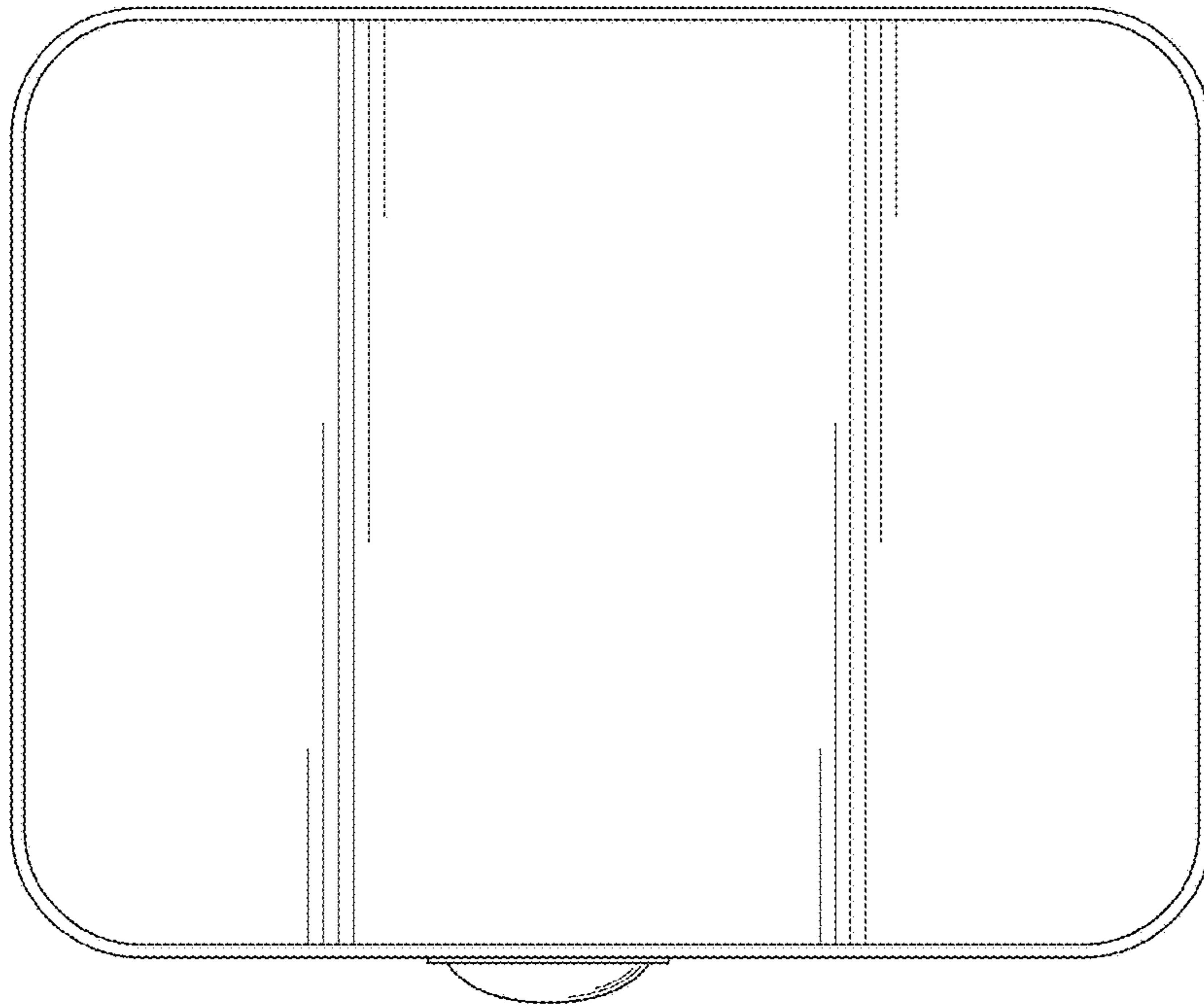


FIG. 26

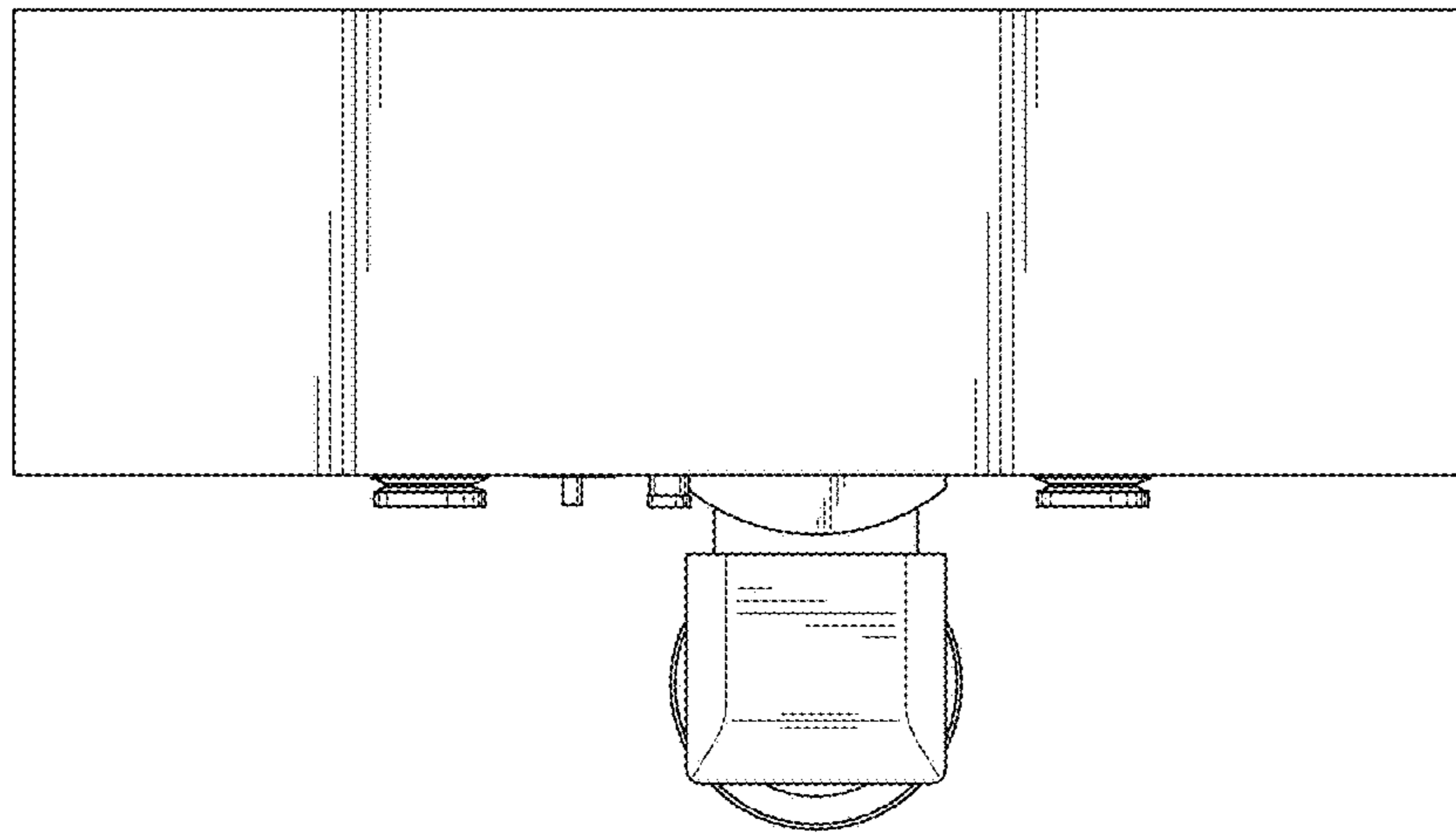


FIG. 27

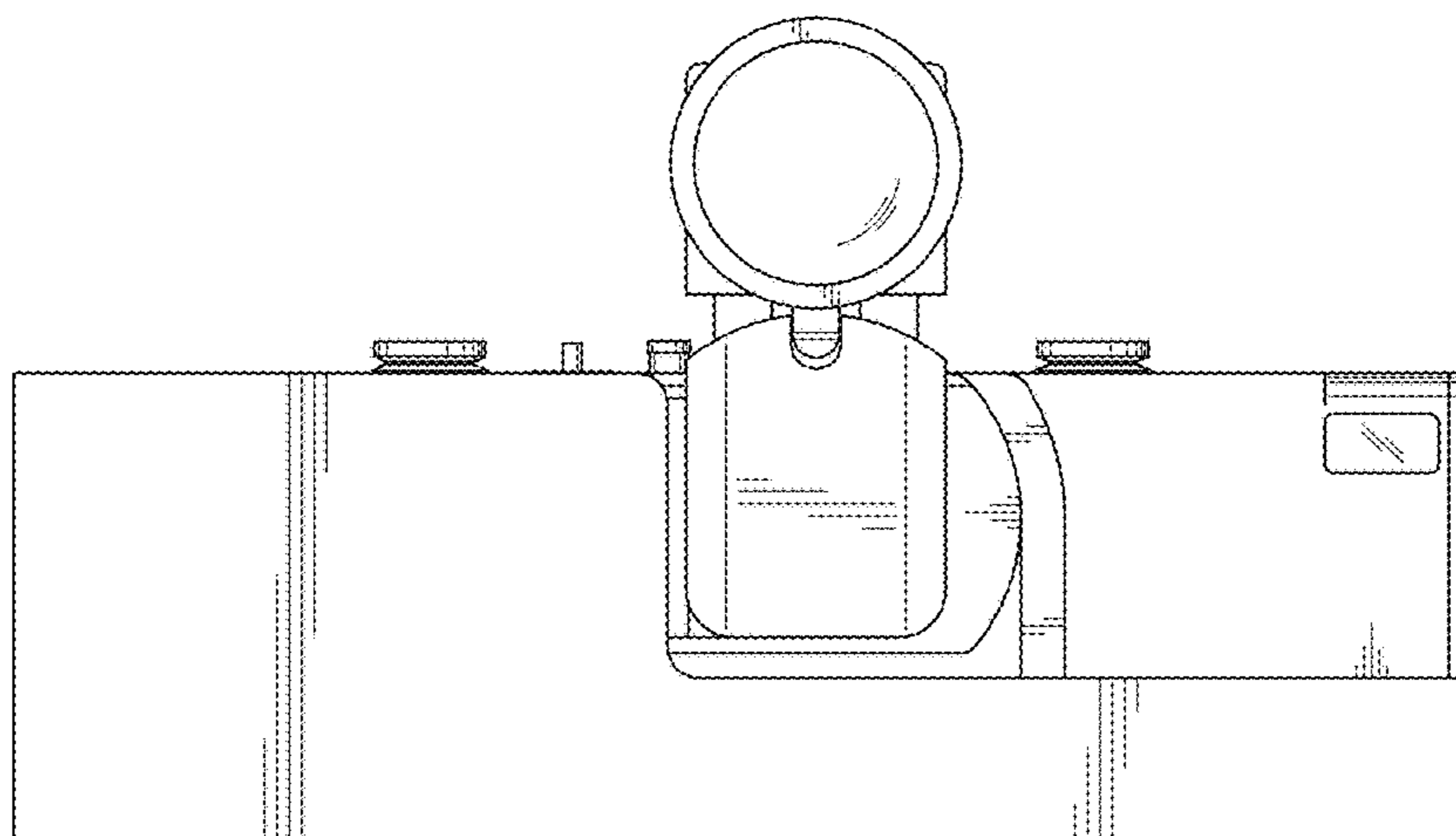


FIG. 28

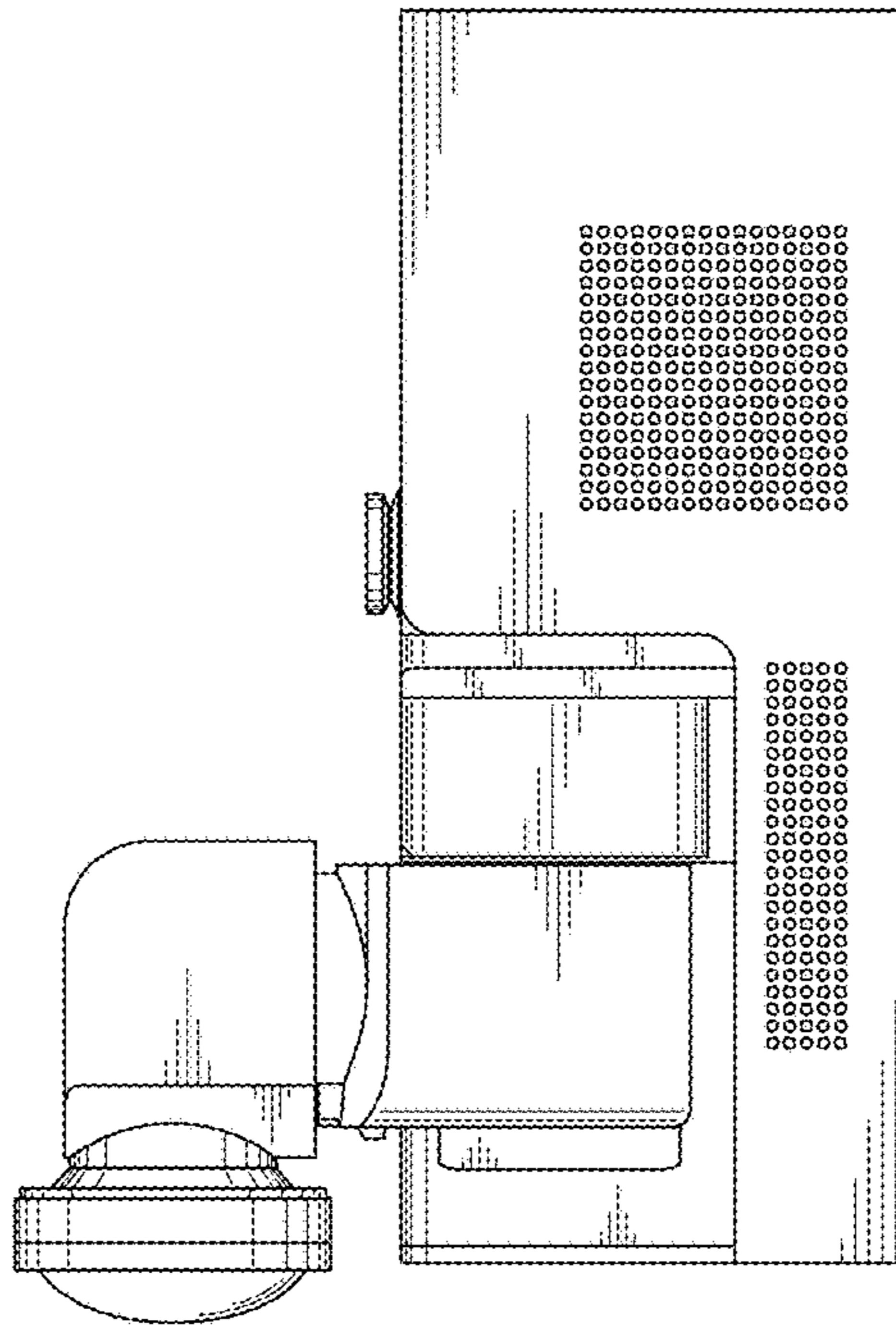


FIG. 29

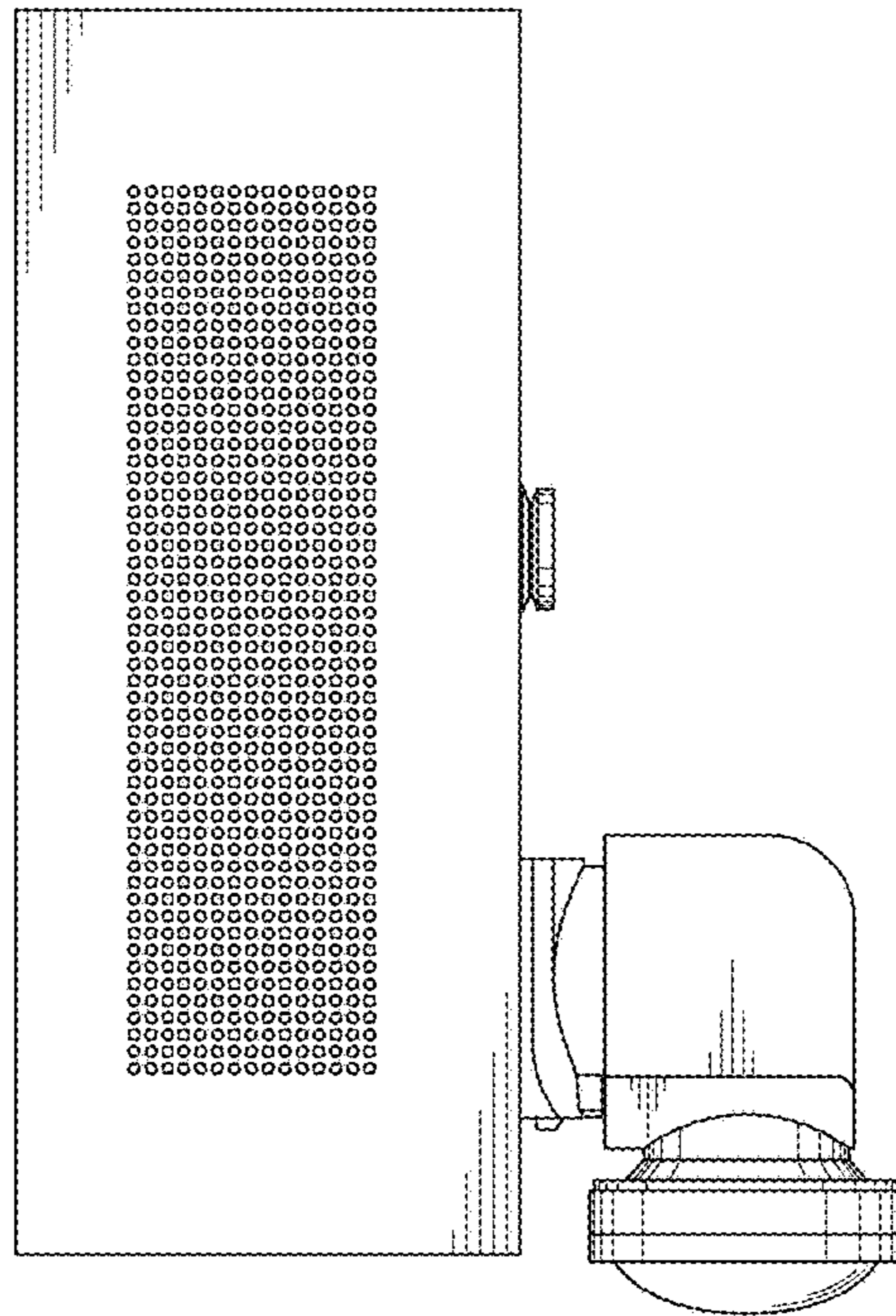


FIG. 31

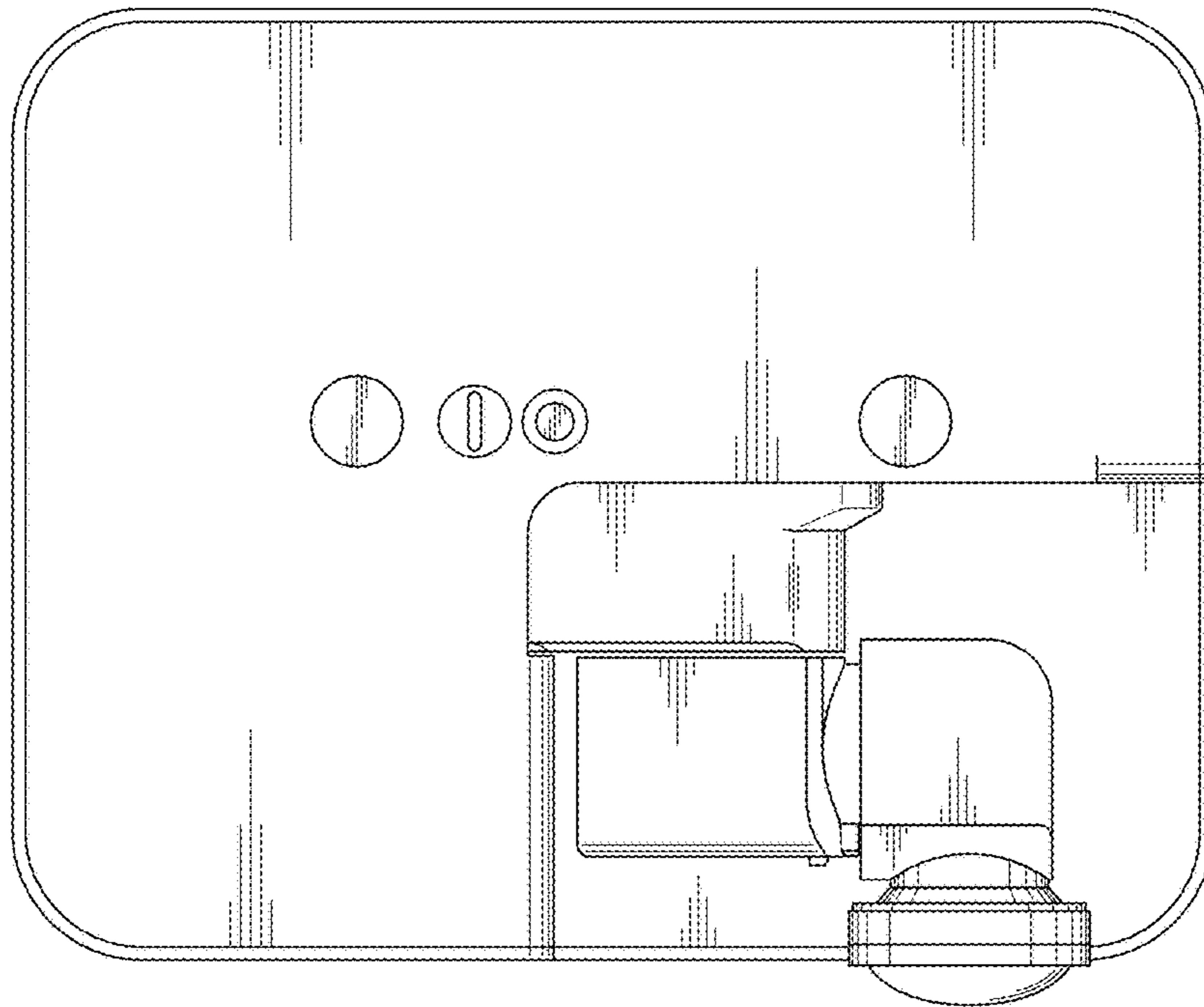


FIG. 32

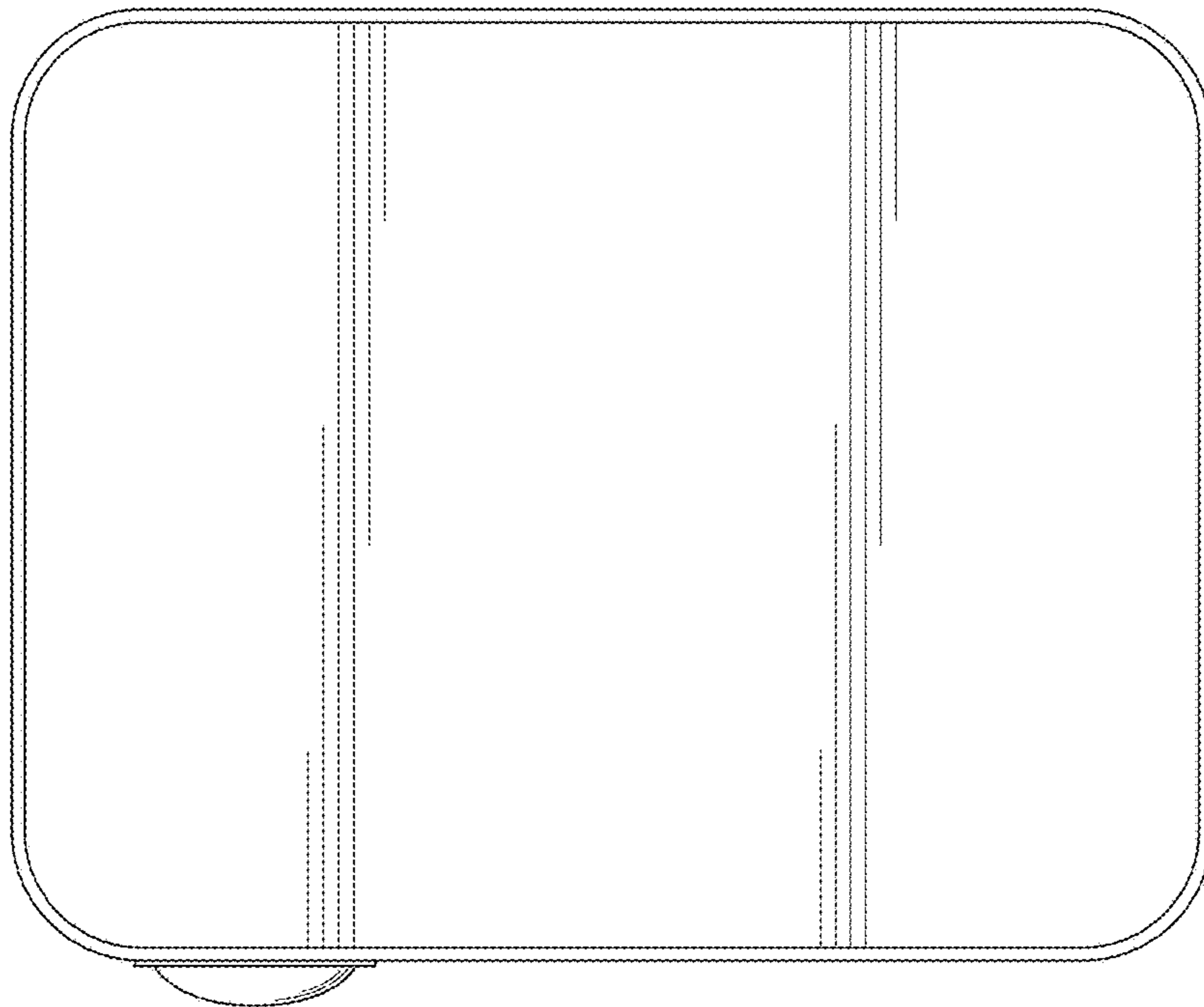


FIG. 33

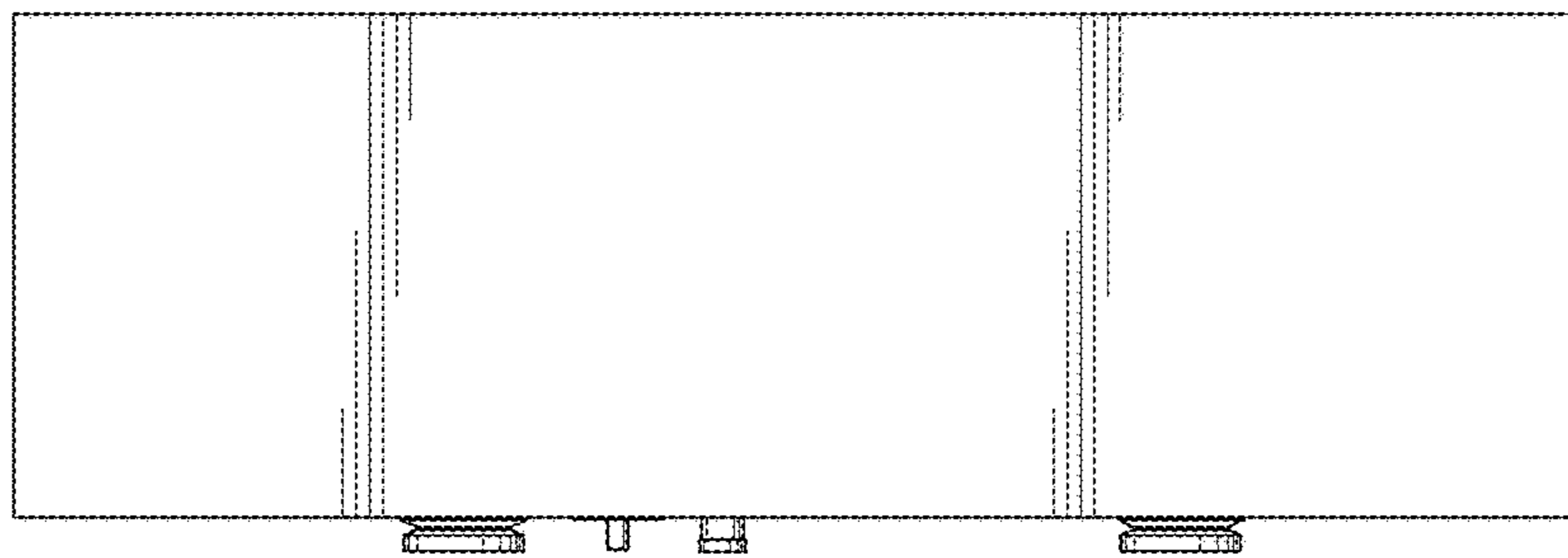


FIG. 34

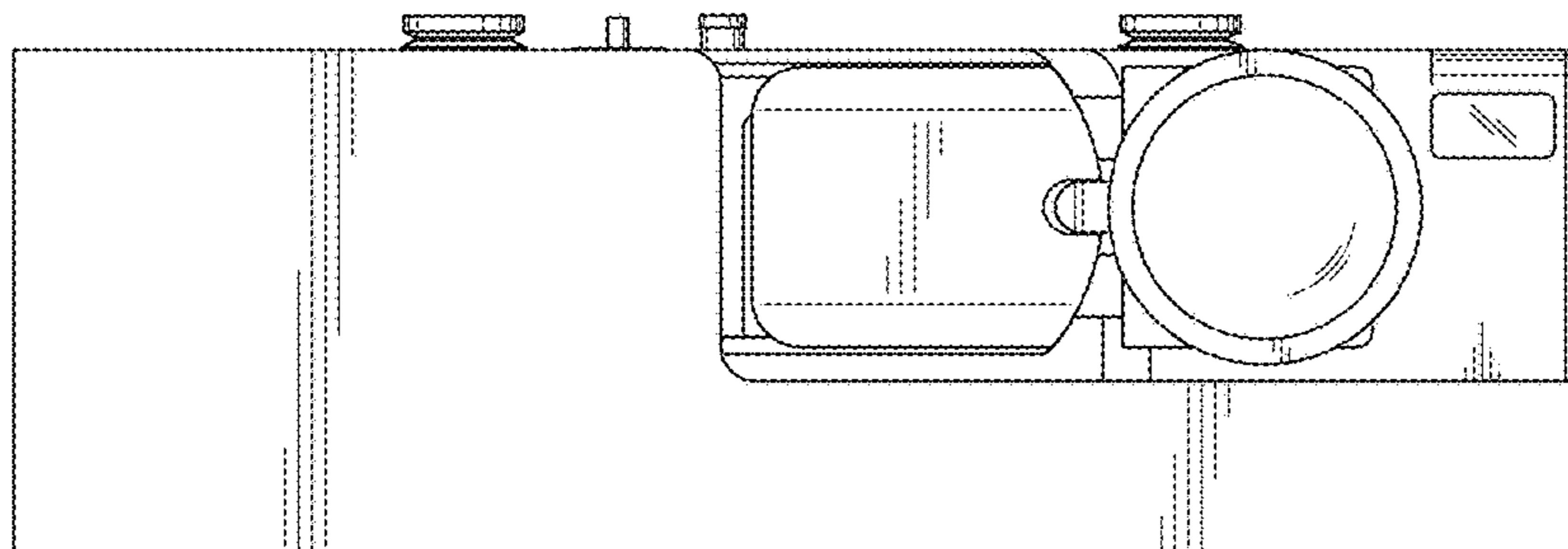


FIG. 35

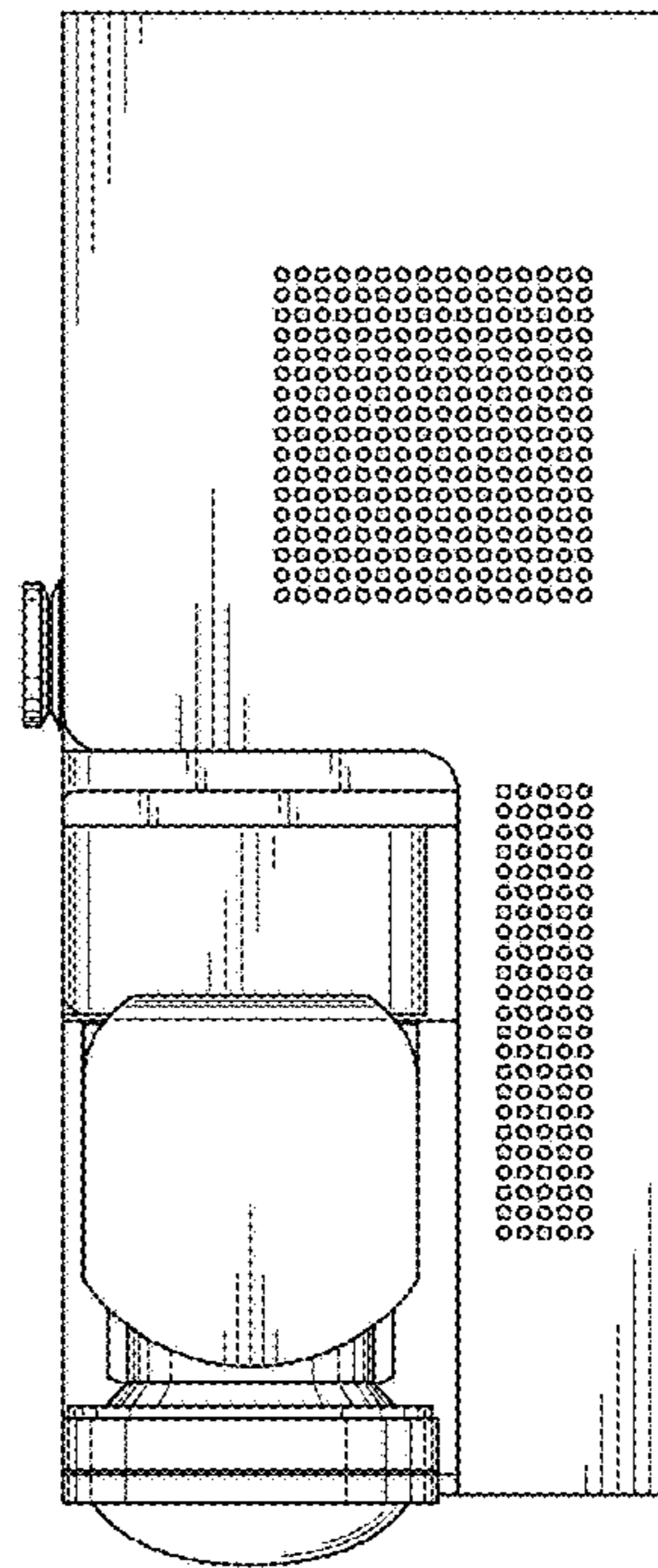


FIG. 36

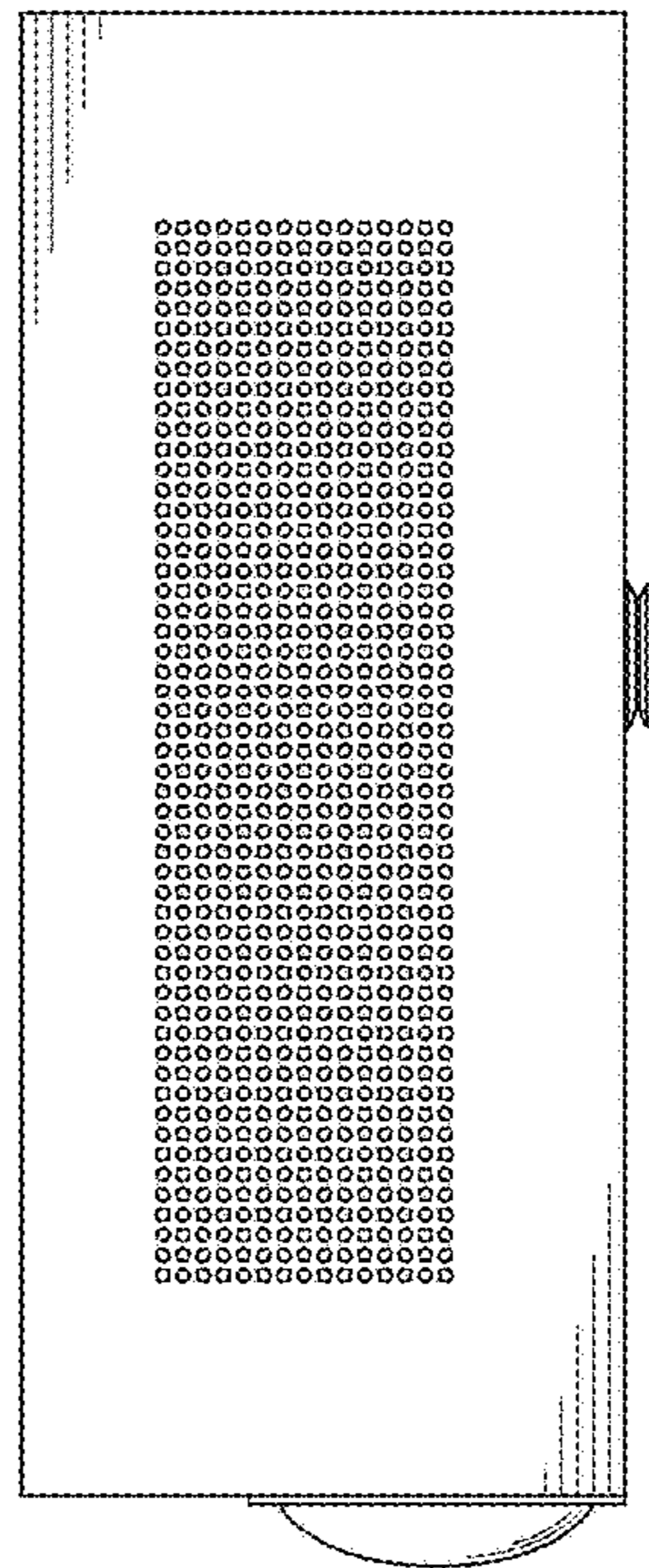


FIG. 37

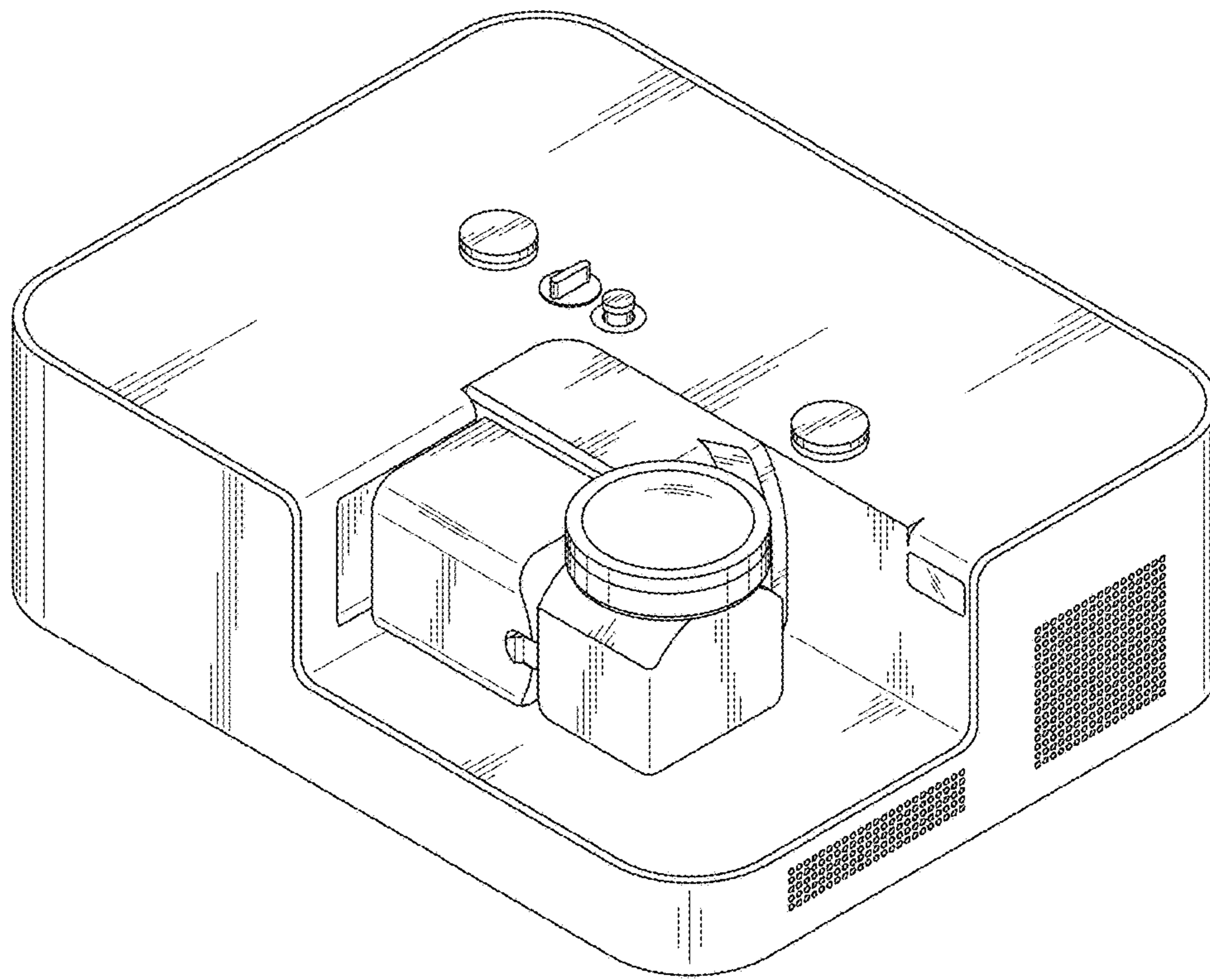


FIG. 38

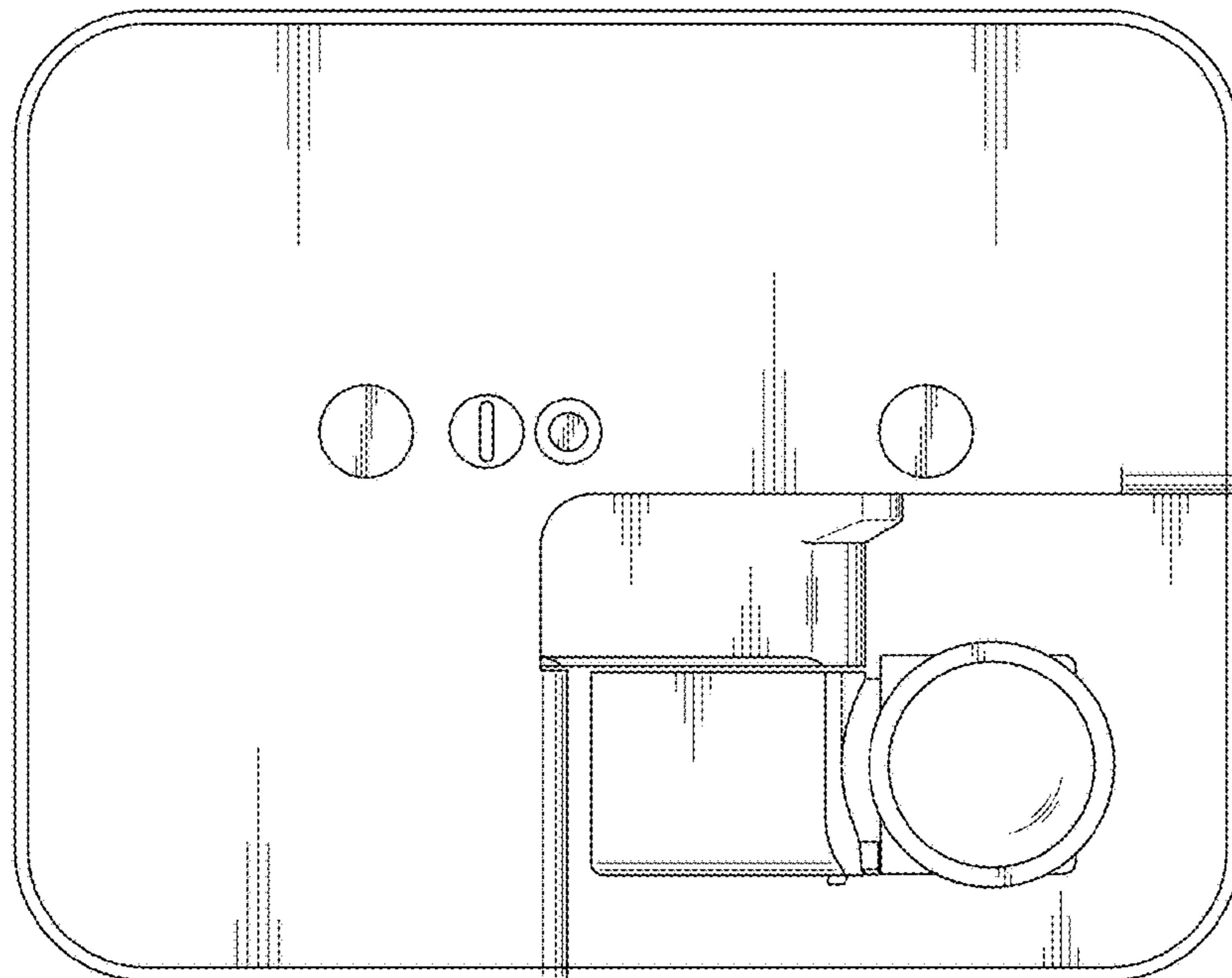


FIG. 39

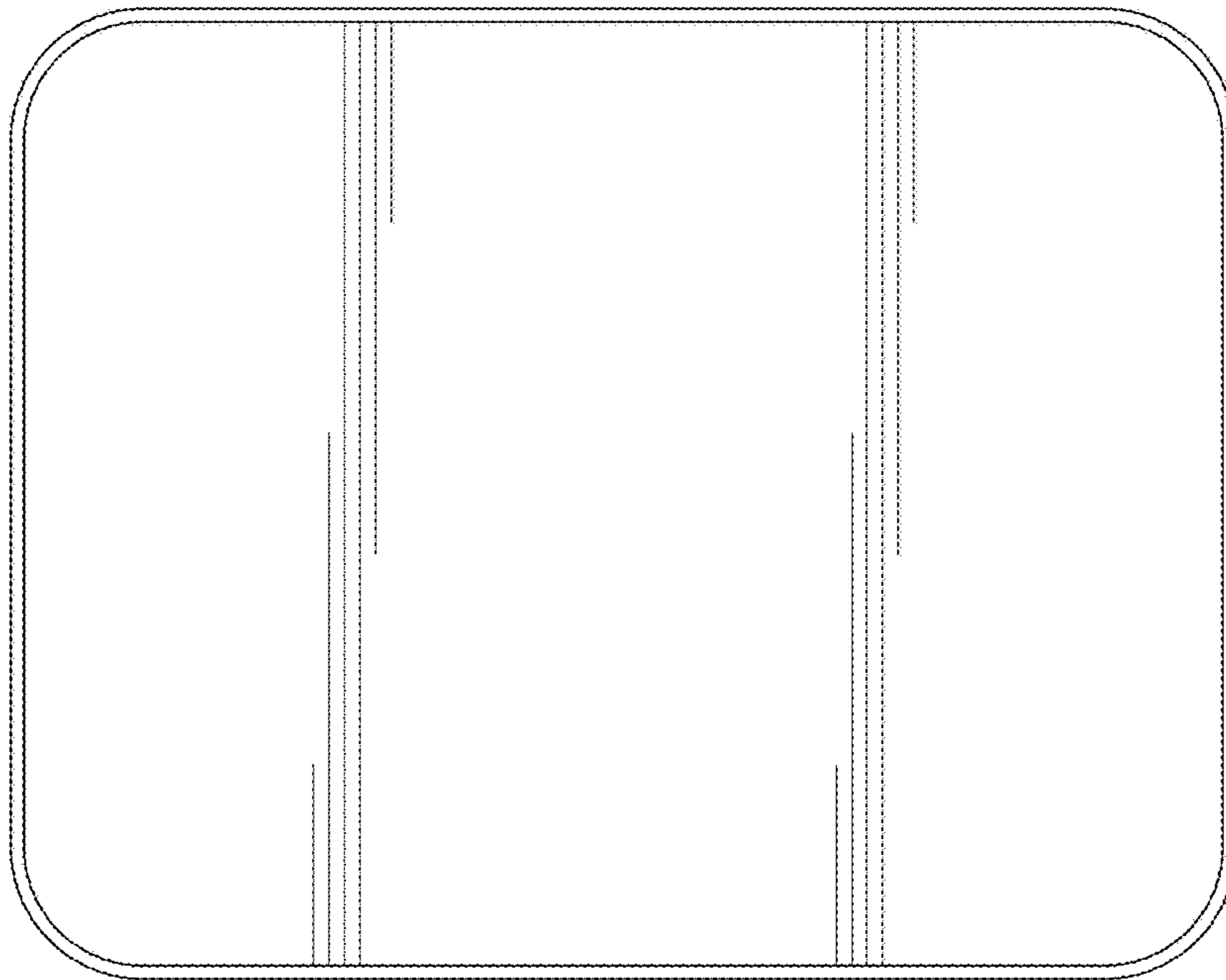


FIG. 40

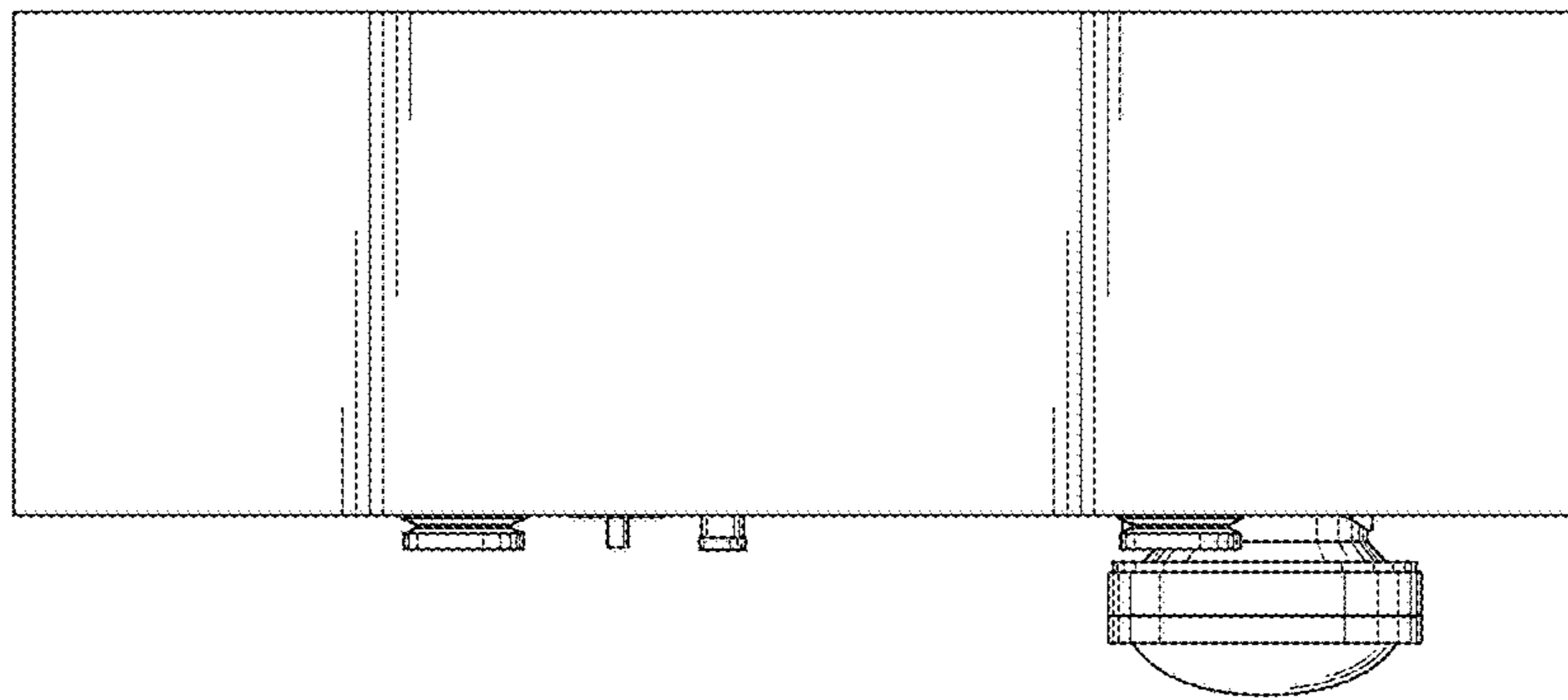


FIG. 41

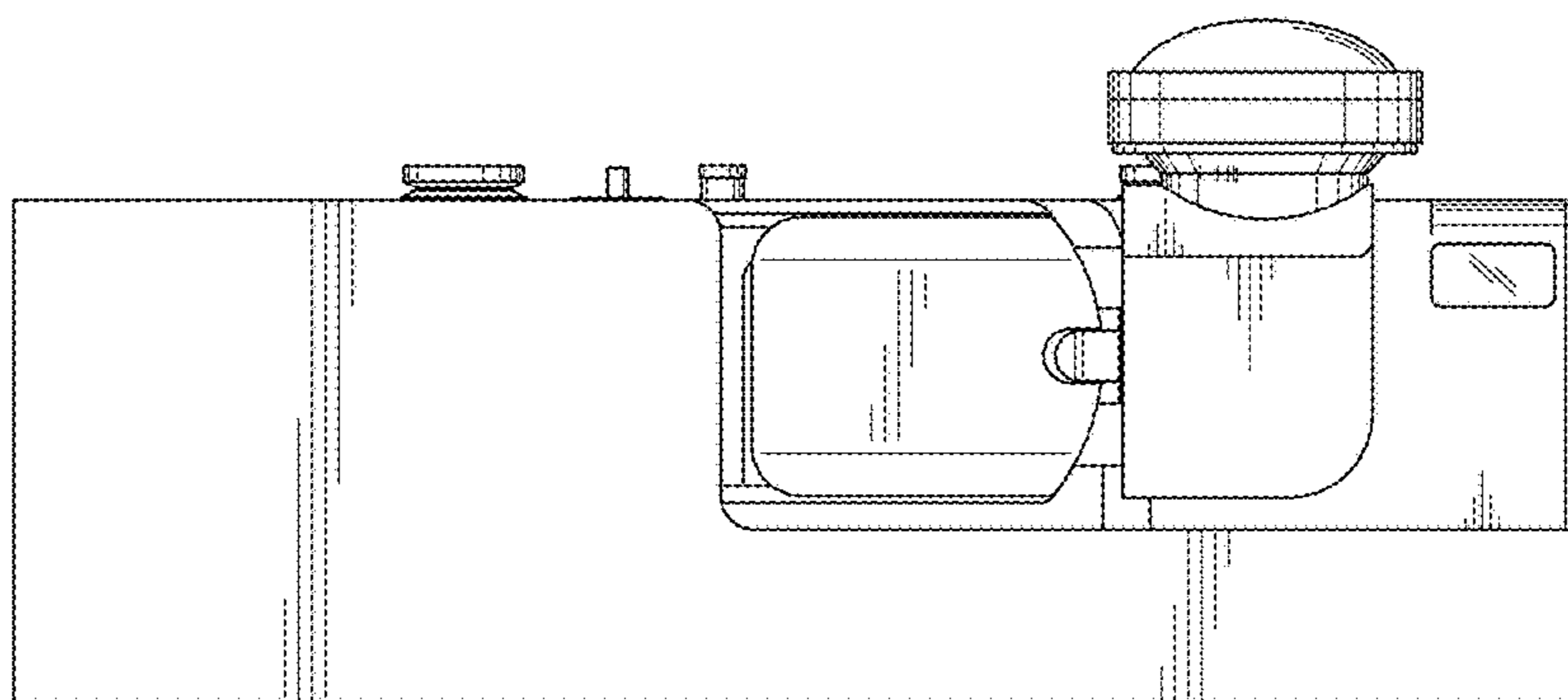


FIG. 42

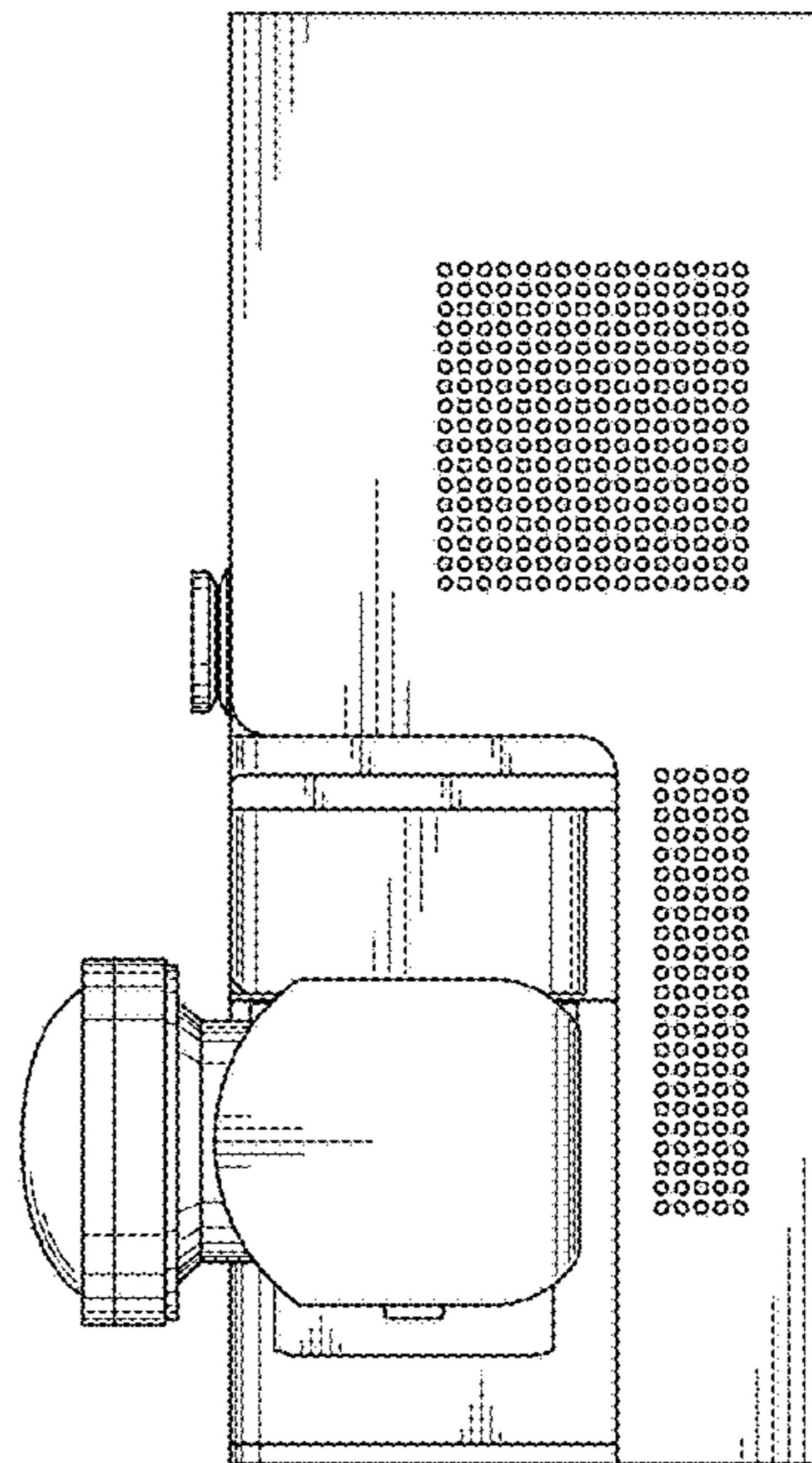


FIG. 43

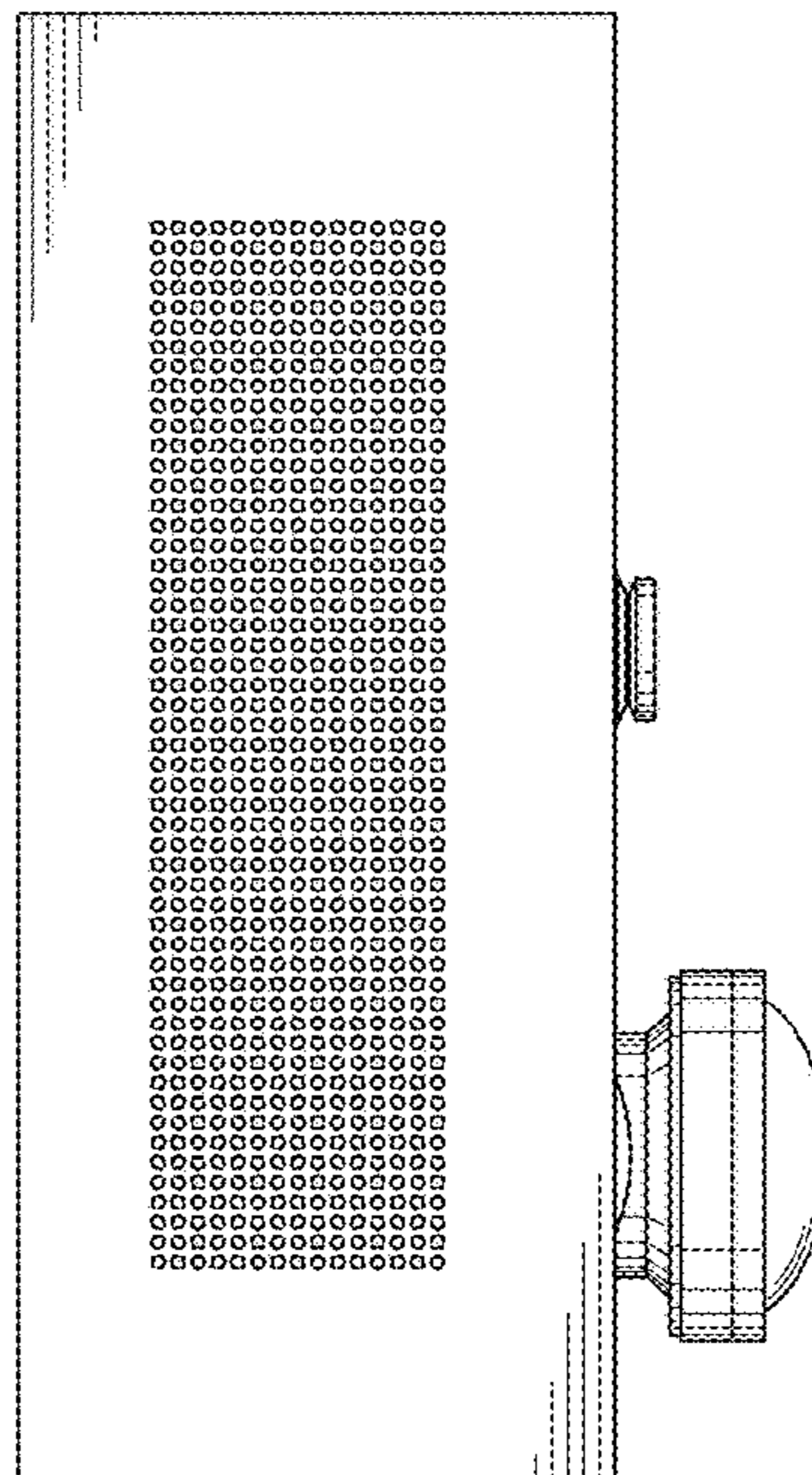


FIG. 44

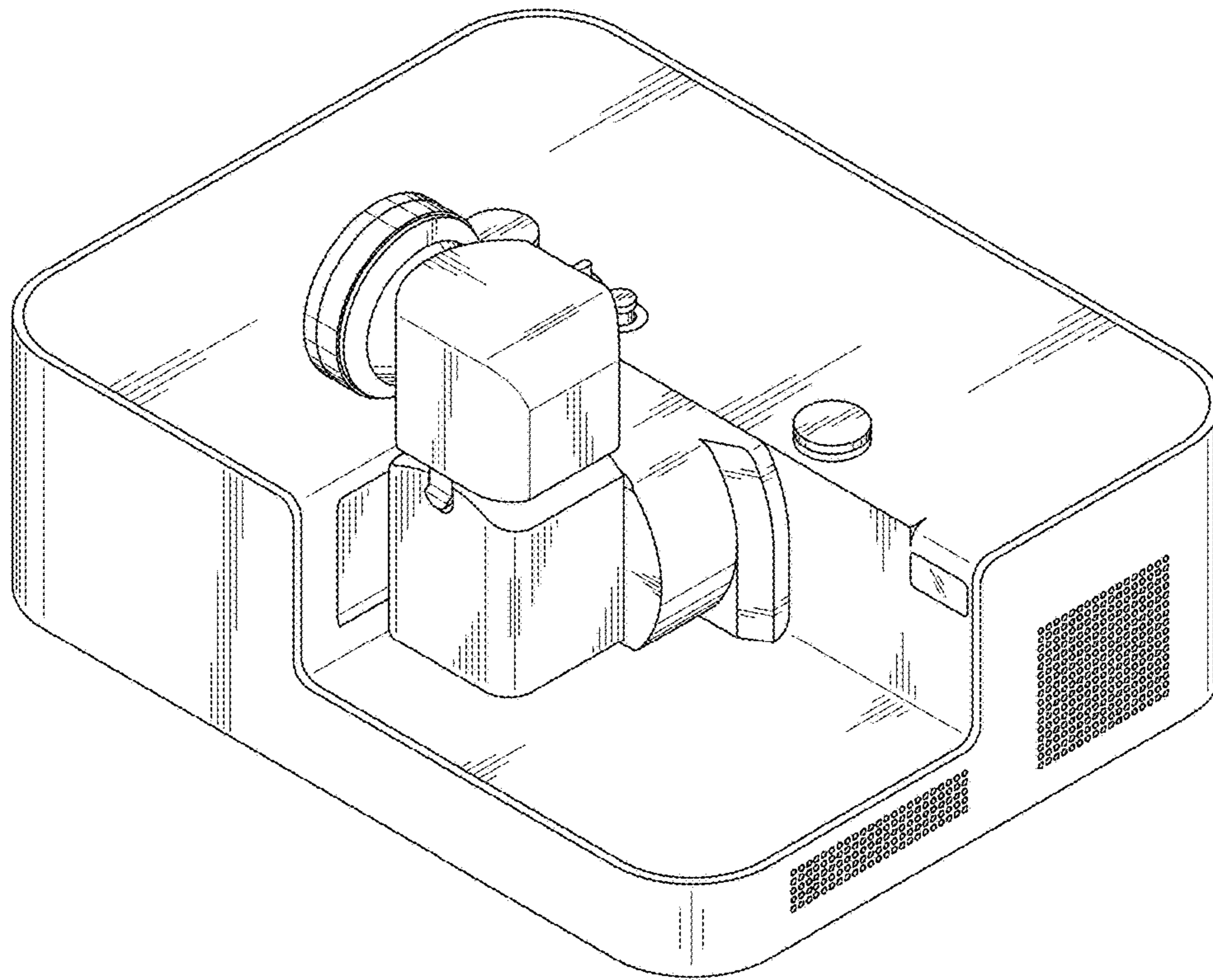


FIG. 45

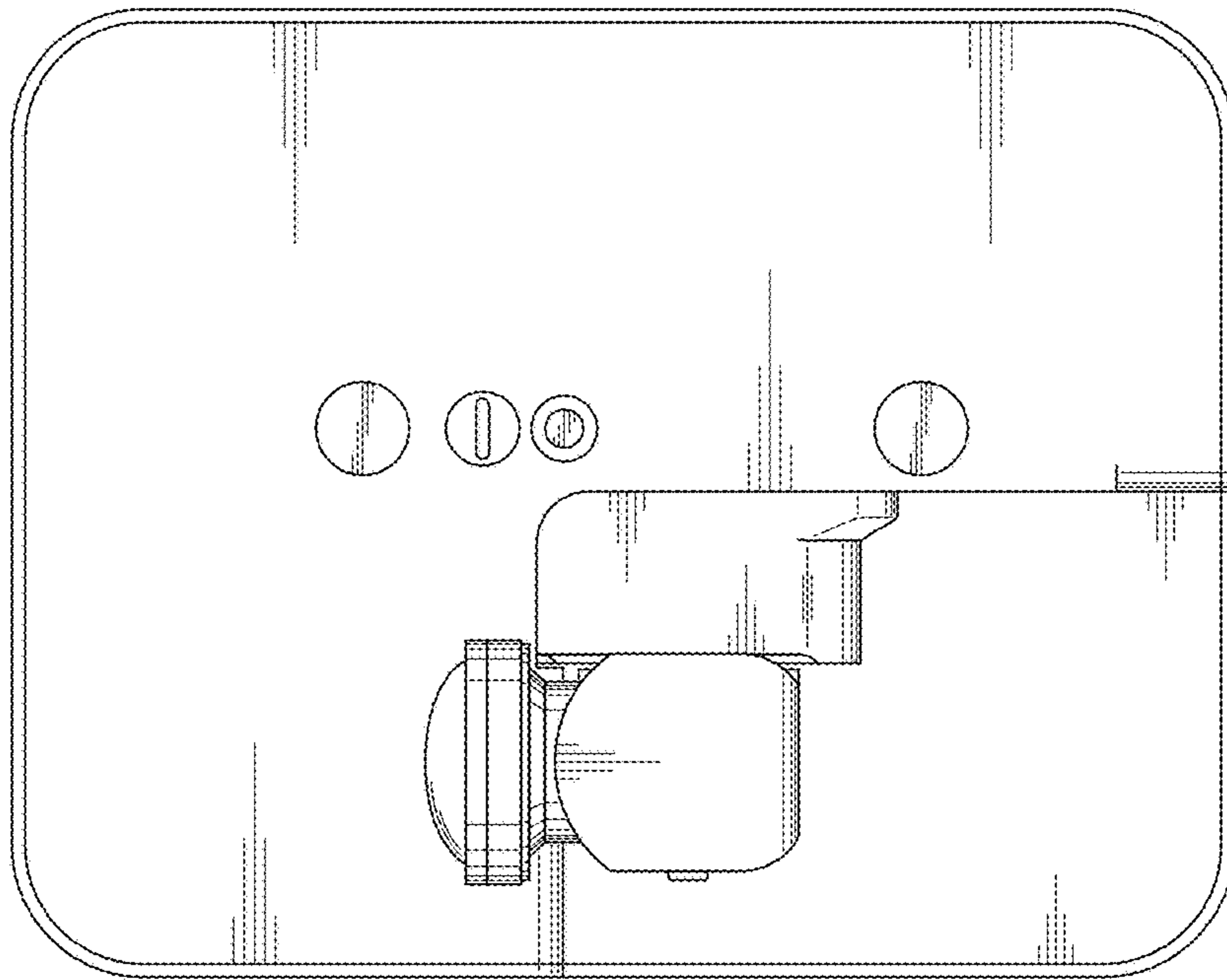


FIG. 46

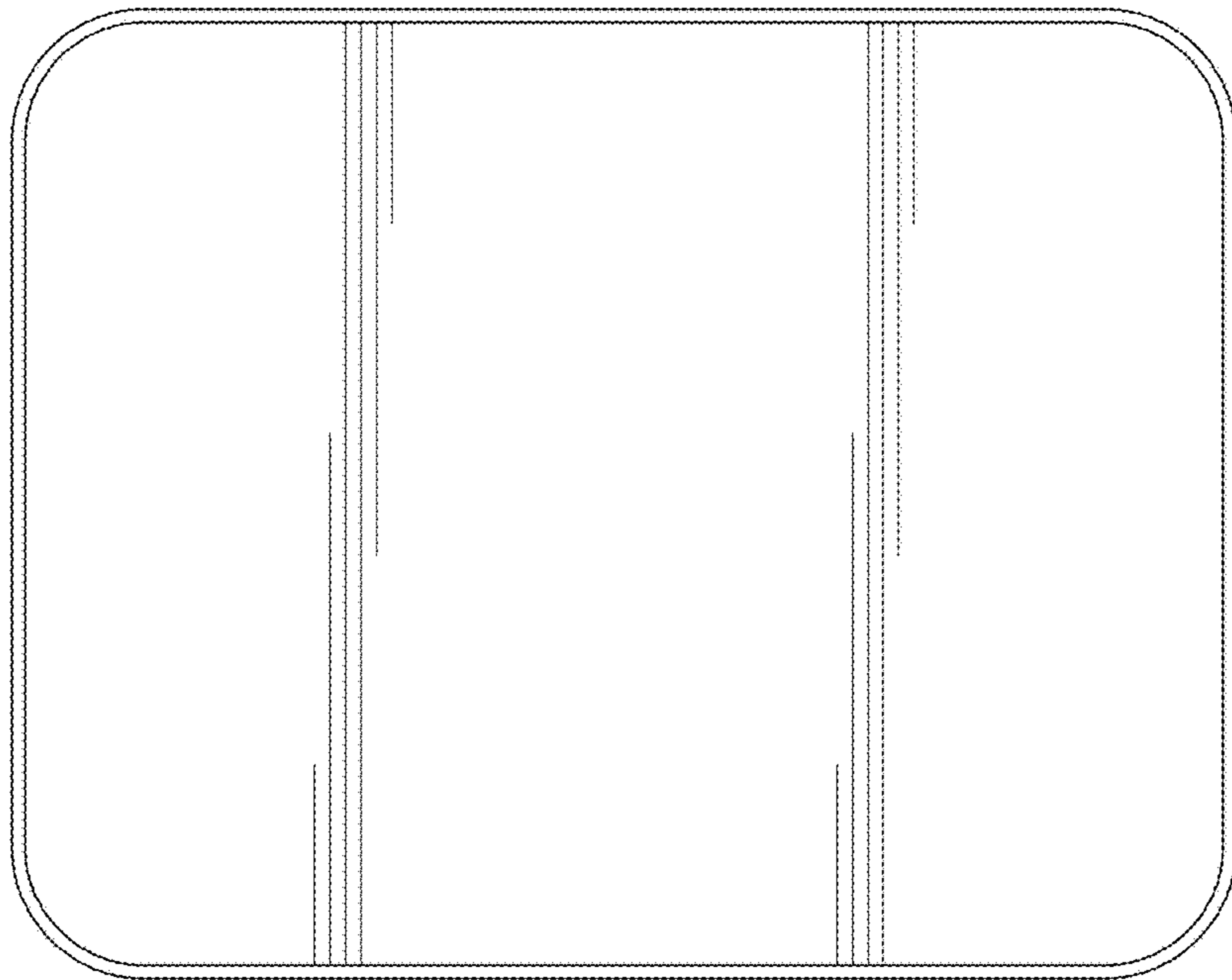


FIG. 47

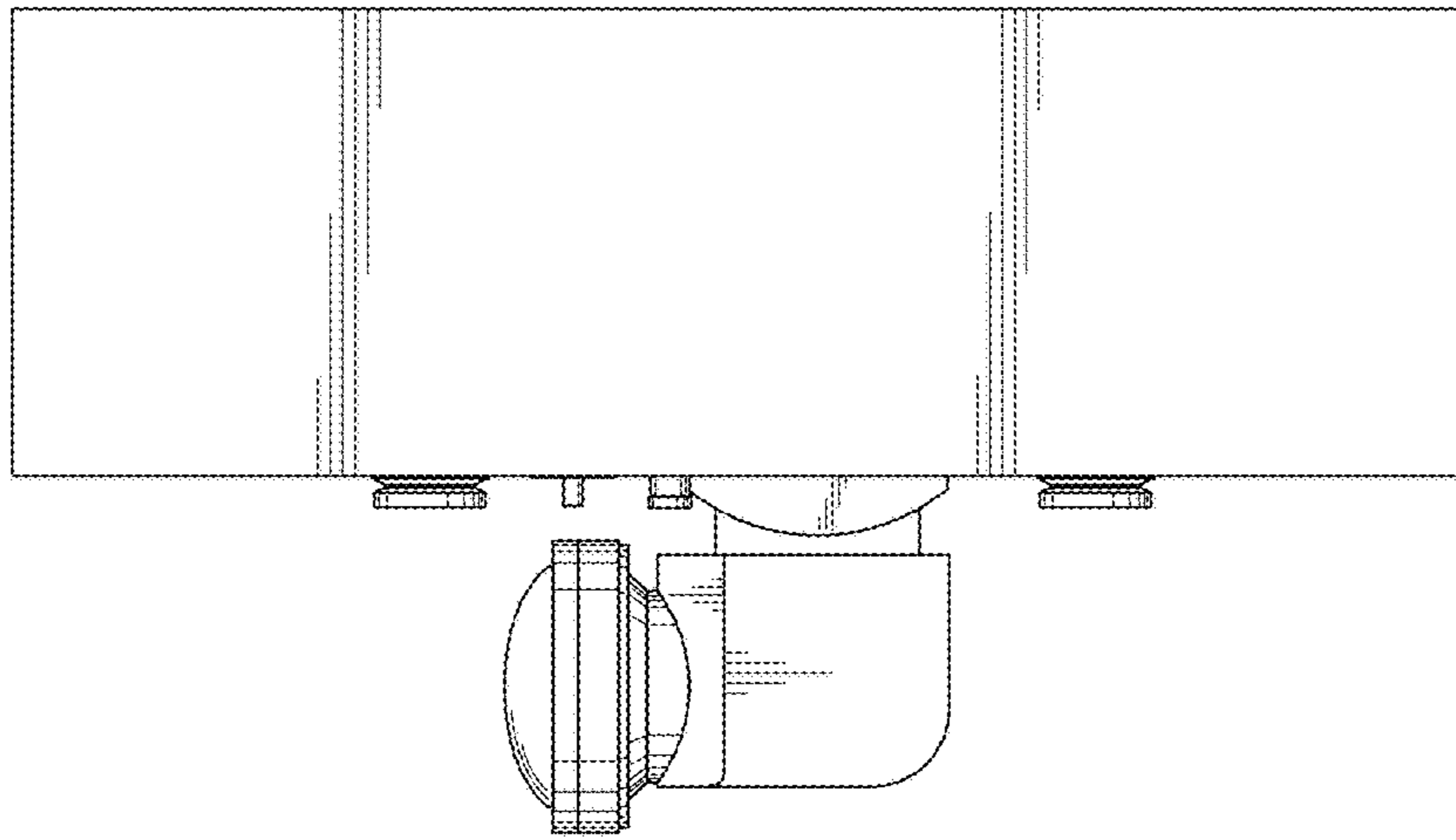


FIG. 48

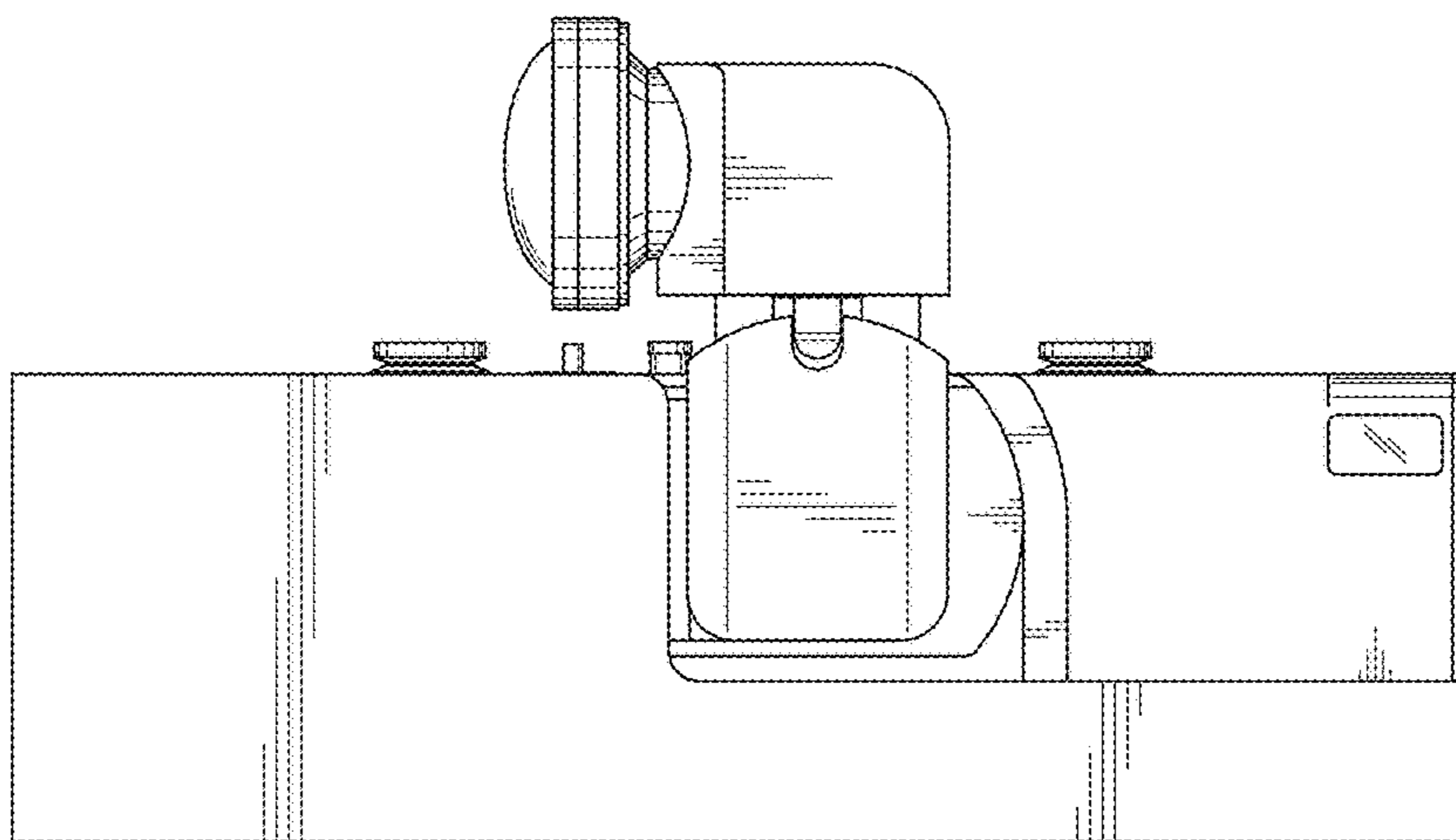


FIG. 49

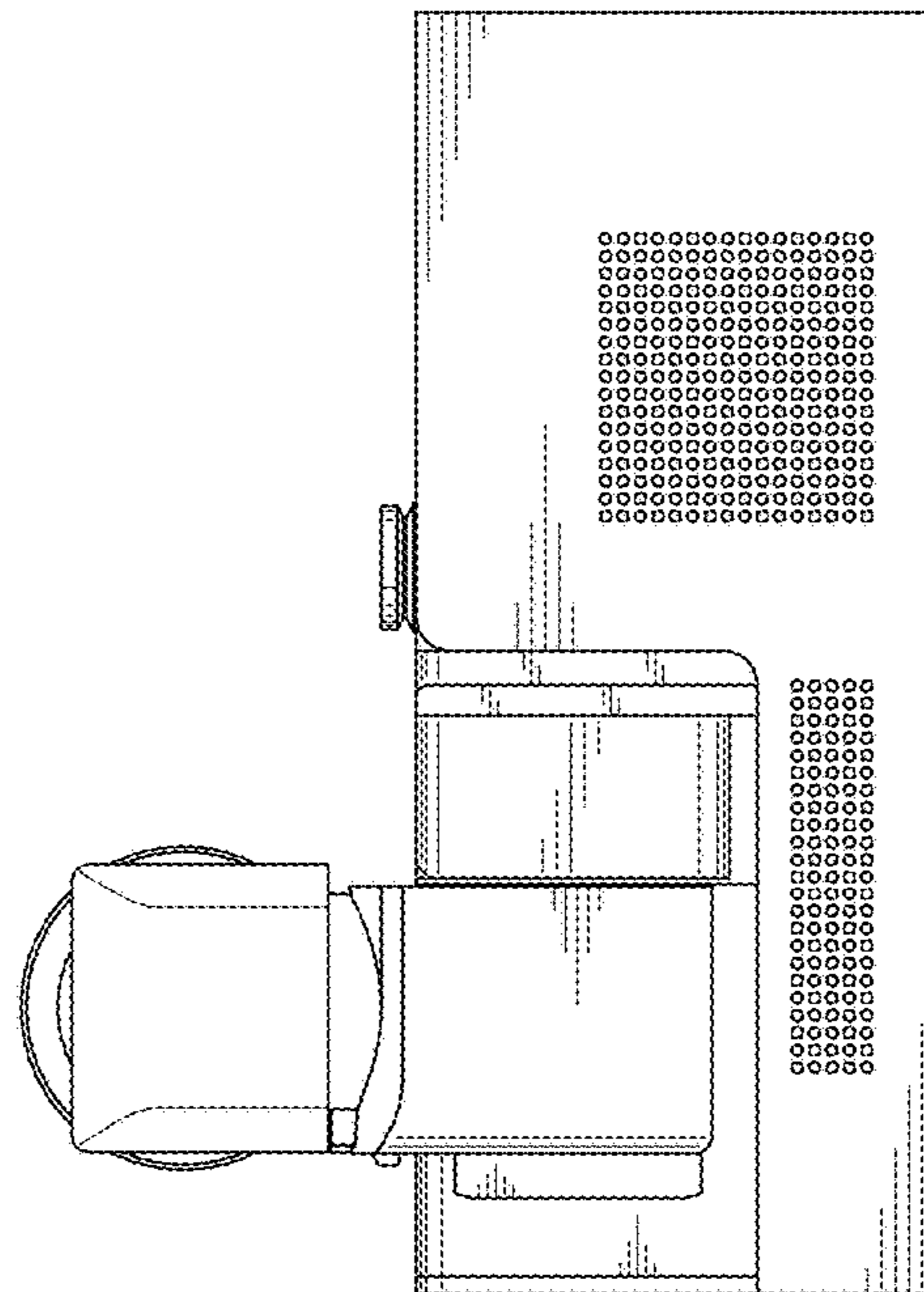


FIG. 50

