



US00D865847S

(12) **United States Design Patent**
Tadesse

(10) **Patent No.:** **US D865,847 S**

(45) **Date of Patent:** **** Nov. 5, 2019**

(54) **MOBILE DEVICE CAMERA LENS WITH
FILTER ADAPTER**

(71) Applicant: **Abel Tadesse**, San Diego, CA (US)

(72) Inventor: **Abel Tadesse**, San Diego, CA (US)

(73) Assignee: **SANDMARC, LLC**, San Diego, CA
(US)

(**) Term: **15 Years**

(21) Appl. No.: **29/662,977**

(22) Filed: **Sep. 11, 2018**

(51) **LOC (12) Cl.** **16-05**

(52) **U.S. Cl.**
USPC **D16/219**

(58) **Field of Classification Search**
USPC D16/134, 136, 200, 202–205, 218, 219,
D16/235, 242; 348/373–376;
359/826–828; 396/529–532, 535,
396/539–541

CPC G03B 17/02; G03B 19/04; G03B 17/56;
G03B 17/04; G03B 15/03; G03B 17/14;
H04N 5/2251; H04N 5/2252; H04N
5/2253; H04N 5/2254; G02B 7/02; G02B
7/04; G02B 7/14

See application file for complete search history.

(56) **References Cited**

U.S. PATENT DOCUMENTS

D682,911 S * 5/2013 Ohashi D16/219
D684,207 S * 6/2013 Kim D16/219

D718,362 S * 11/2014 Noh D16/219
D721,120 S * 1/2015 Oh D16/219
D744,024 S * 11/2015 Oh D16/219
D745,079 S * 12/2015 Oh D16/136
D745,916 S * 12/2015 Oh D16/134
D750,688 S * 3/2016 Oh D16/134
D754,237 S * 4/2016 Oh D16/219
D756,441 S * 5/2016 Kobayashi D16/134
D816,148 S * 4/2018 Li D16/219

* cited by examiner

Primary Examiner — Ramzi S Almatrahi

(74) *Attorney, Agent, or Firm* — Sarah M. Walkington

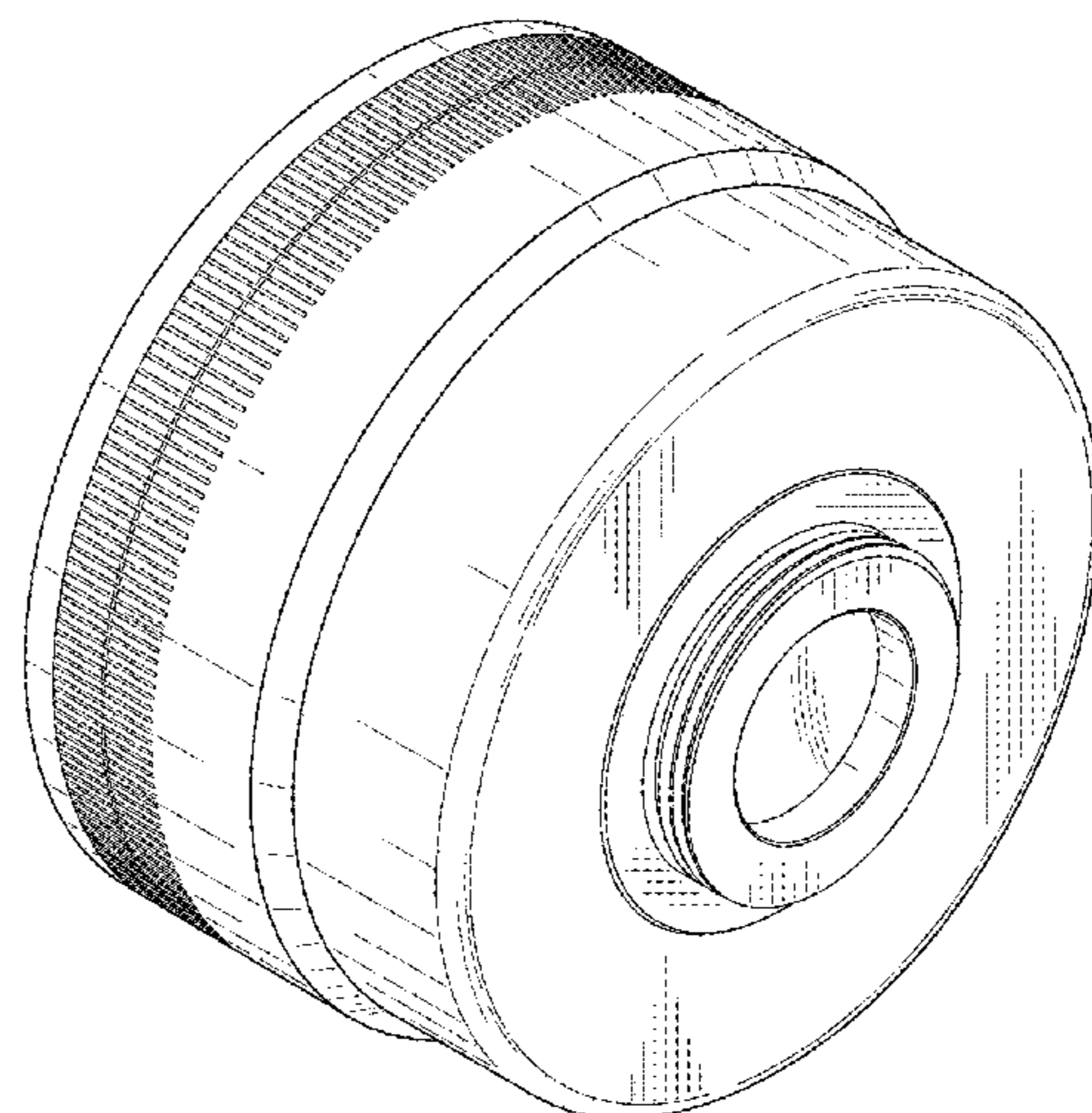
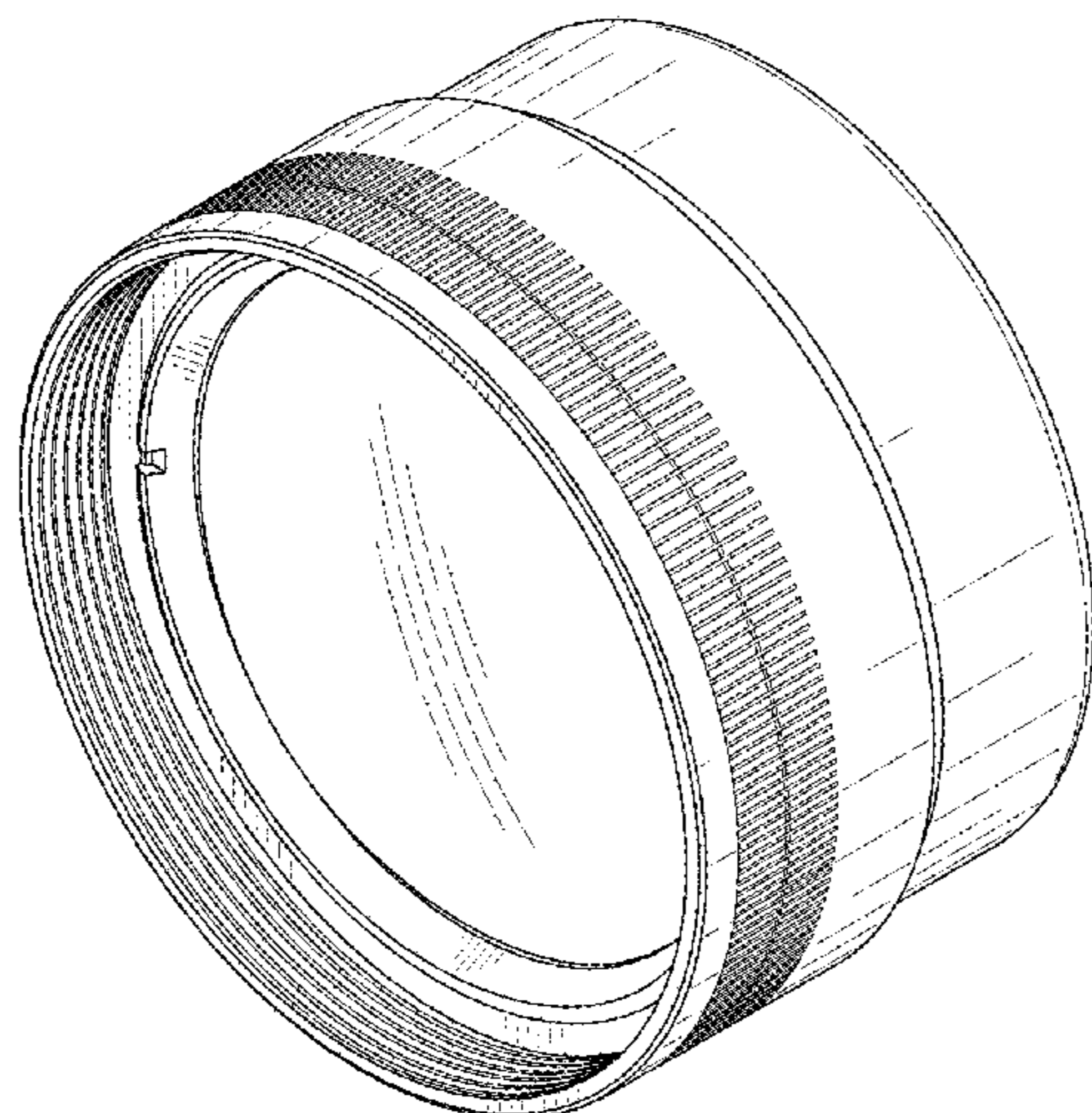
(57) **CLAIM**

The ornamental design for a mobile device camera lens with filter adapter, as shown and described.

DESCRIPTION

FIG. 1 is a front perspective view of a mobile device camera lens with filter adapter showing my new design;
FIG. 2 is a front elevation view thereof;
FIG. 3 is a rear elevation view thereof;
FIG. 4 is a left side elevation view thereof;
FIG. 5 is a right side elevation view thereof;
FIG. 6 is a top plan view thereof;
FIG. 7 is a bottom plan view thereof; and,
FIG. 8 is a rear perspective view thereof.

1 Claim, 8 Drawing Sheets



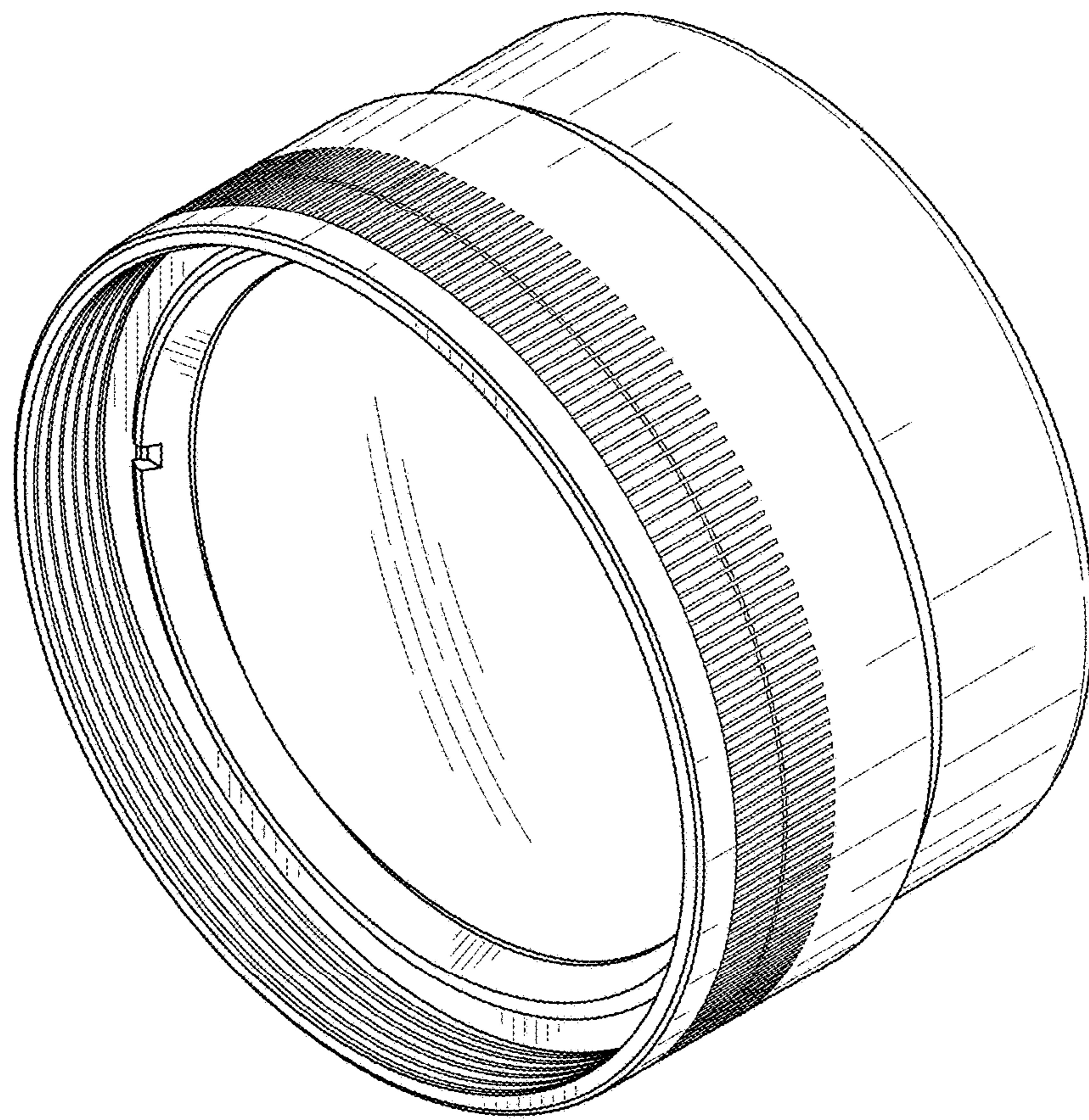


FIG. 1

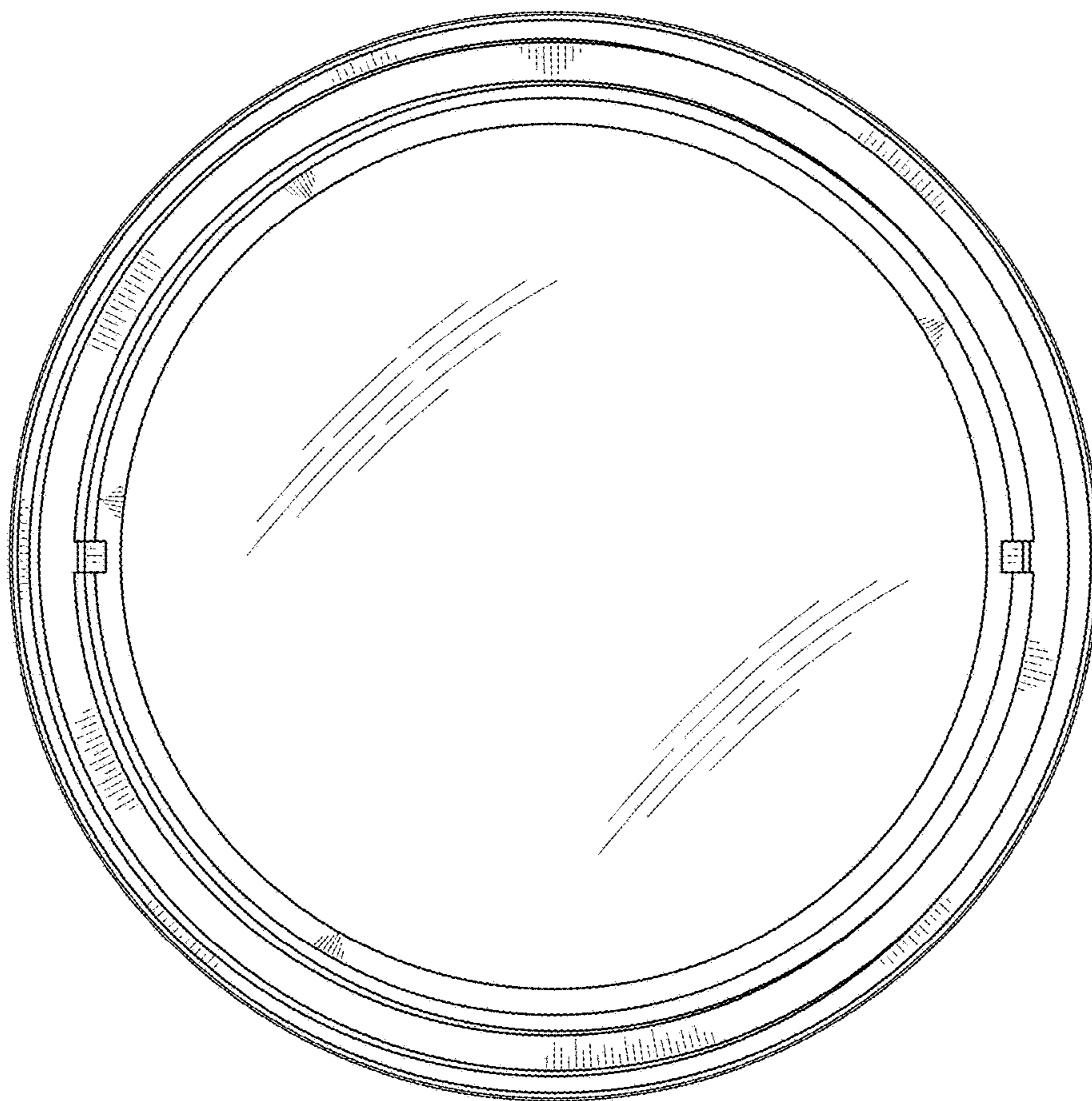


FIG. 2

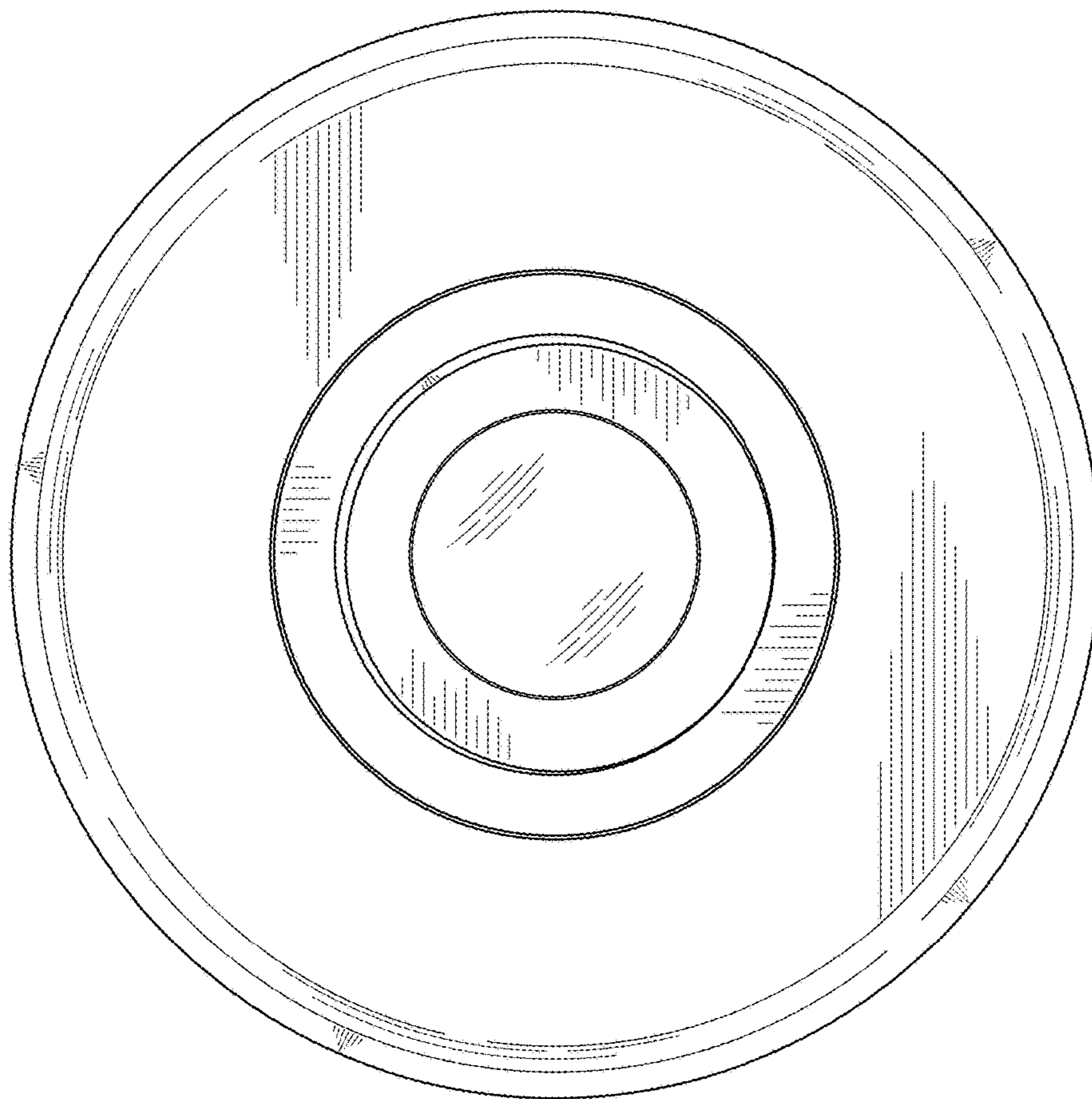


FIG. 3

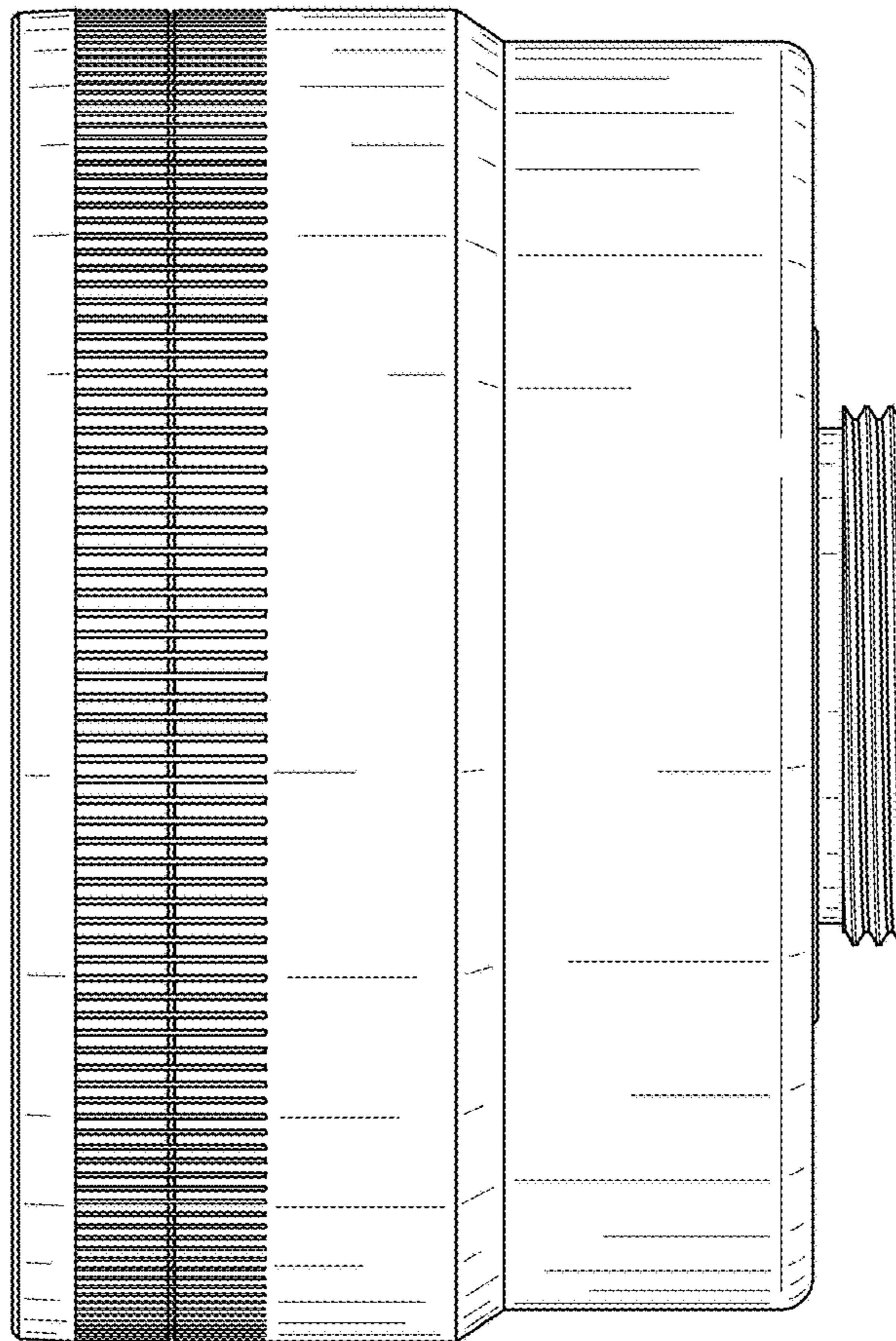


FIG. 4

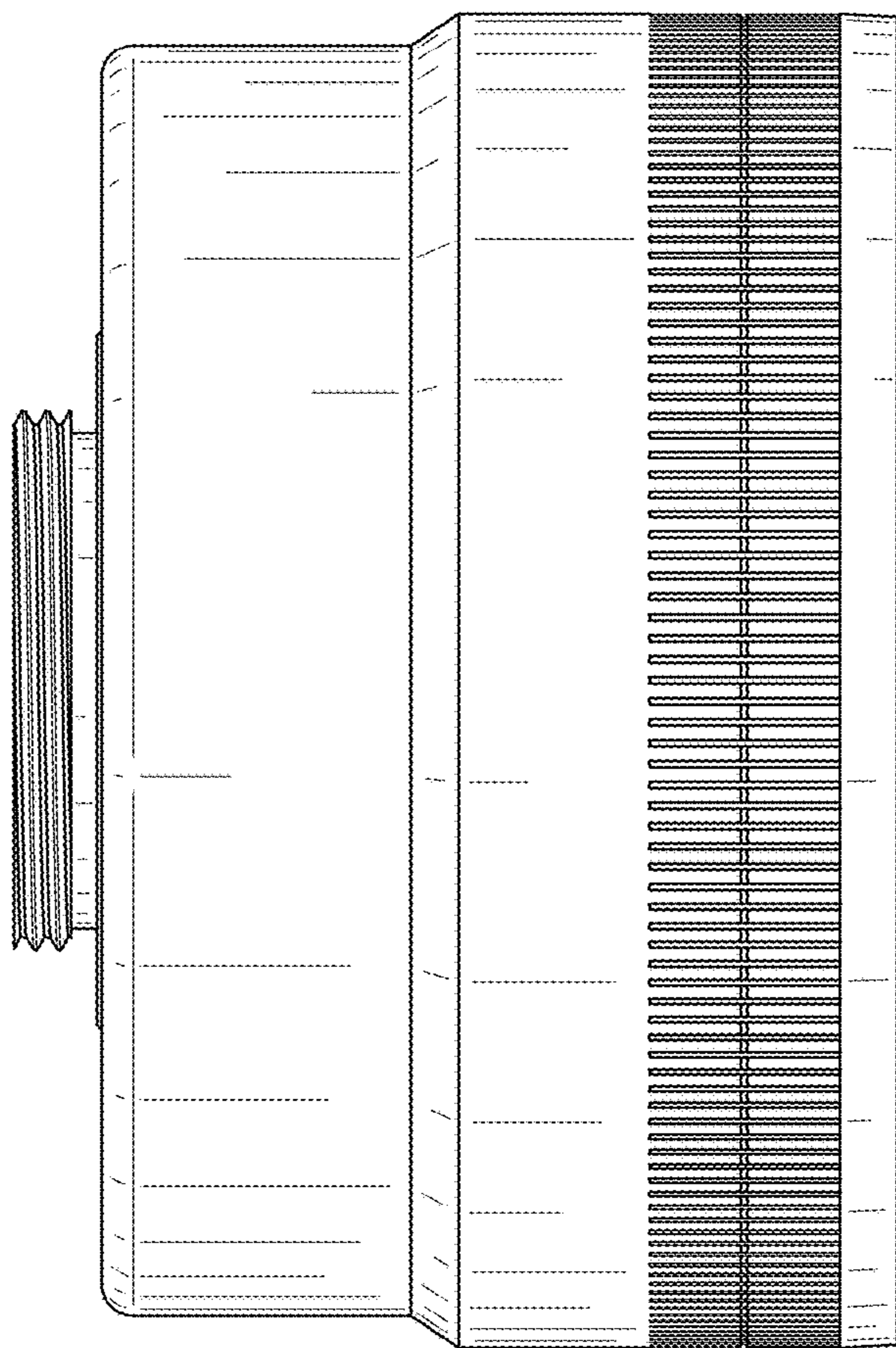


FIG. 5

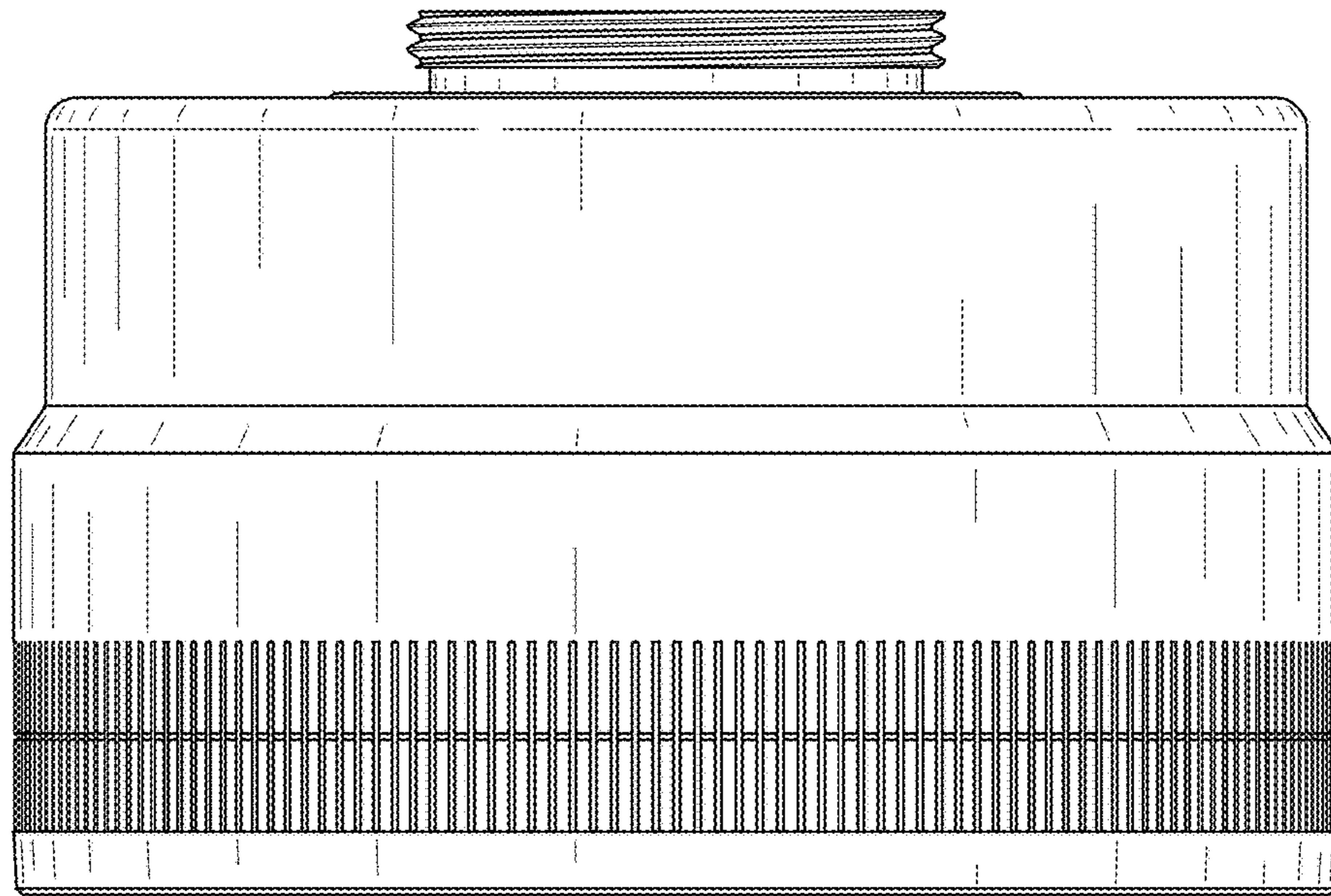


FIG. 6

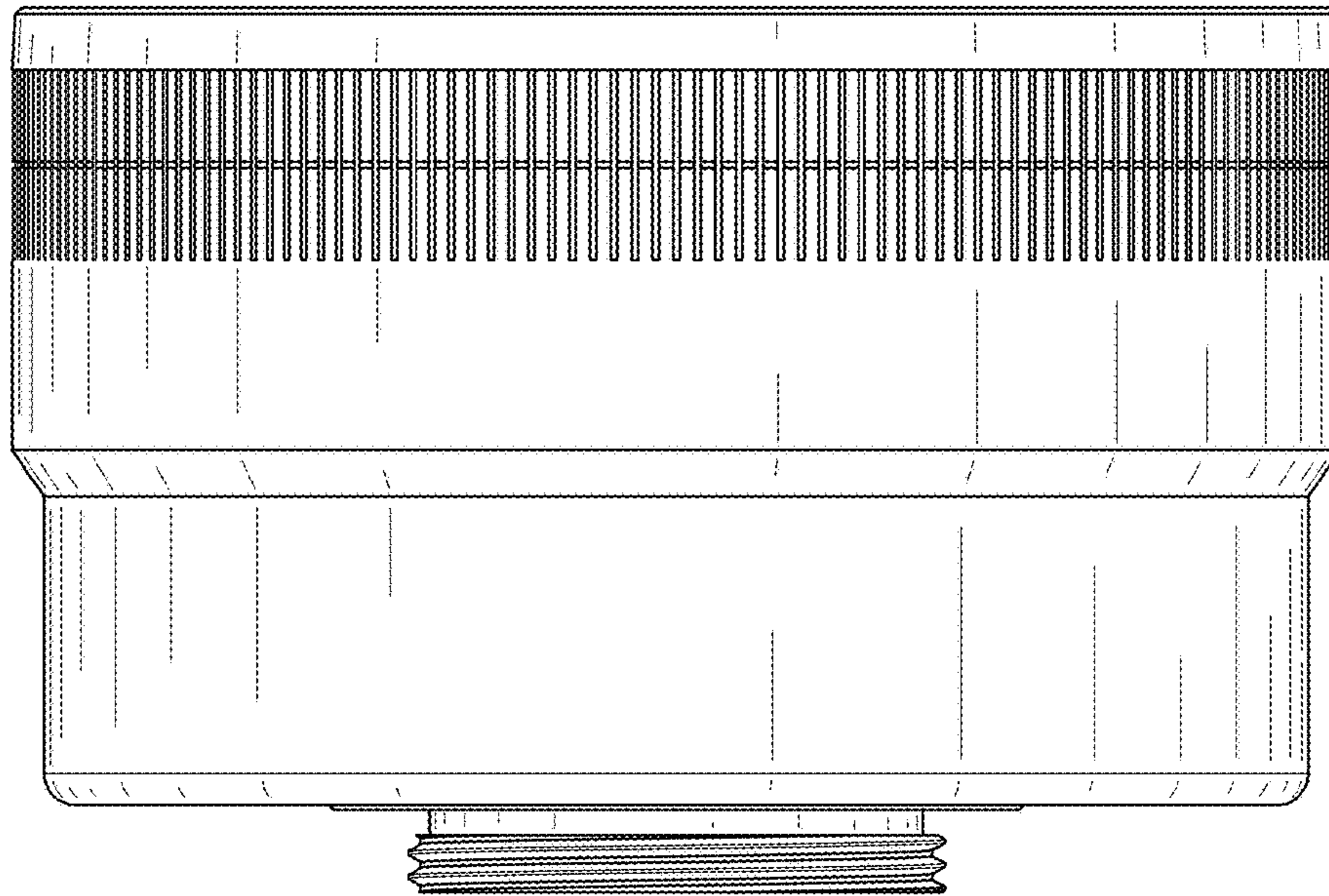


FIG. 7

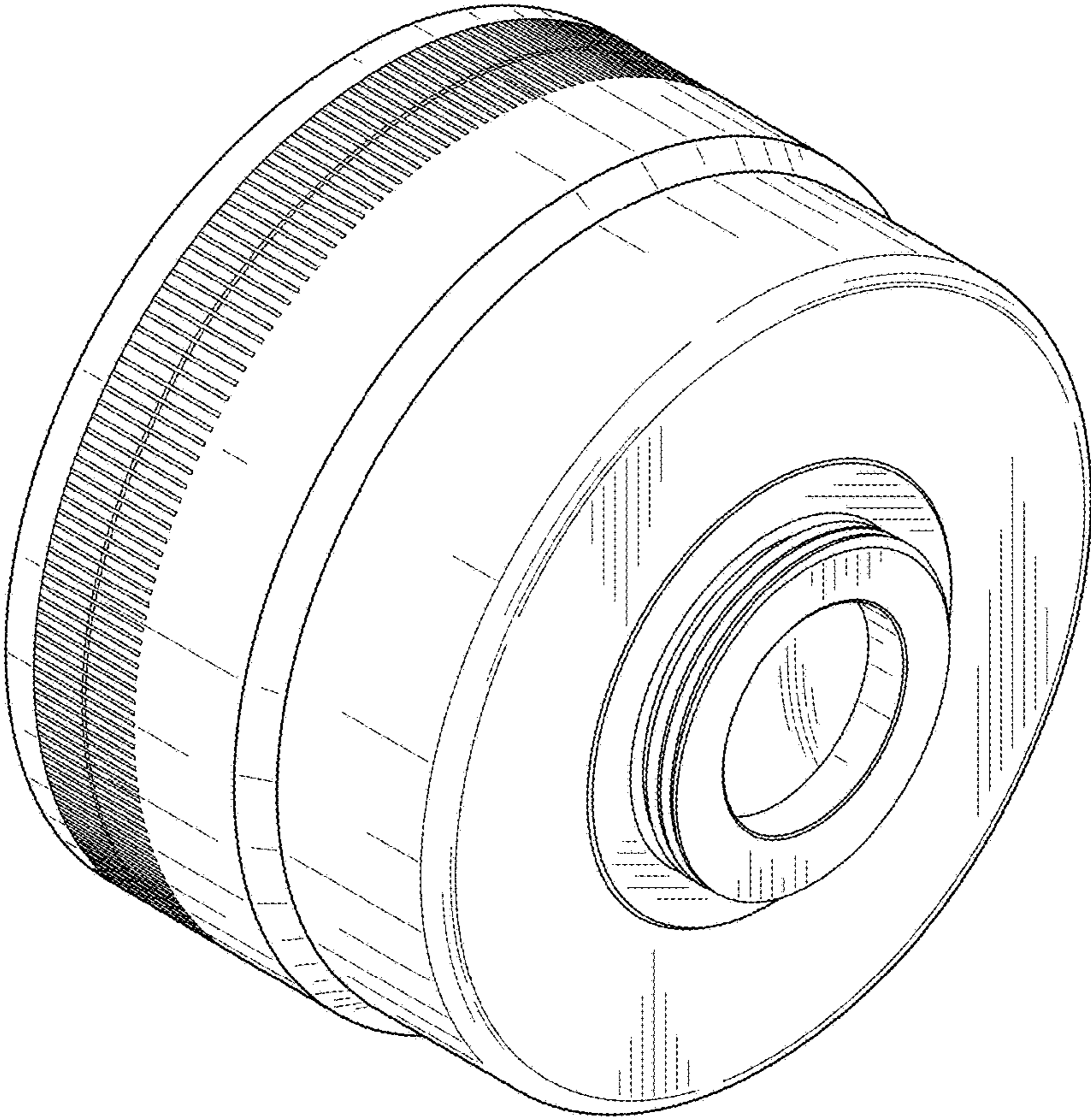


FIG. 8