



US00D865844S

(12) **United States Design Patent**
Jalala

(10) **Patent No.:** **US D865,844 S**

(45) **Date of Patent:** **** Nov. 5, 2019**

(54) **BODY CAMERA**

(71) Applicant: **Hayat Jalala**, Reseda, CA (US)

(72) Inventor: **Hayat Jalala**, Reseda, CA (US)

(**) Term: **15 Years**

(21) Appl. No.: **29/665,293**

(22) Filed: **Oct. 2, 2018**

Related U.S. Application Data

(63) Continuation-in-part of application No. 29/565,940, filed on May 25, 2016, now abandoned.

(51) **LOC (12) Cl.** **16-01**

(52) **U.S. Cl.**
USPC **D16/218**

(58) **Field of Classification Search**
USPC D16/200, 202–205, 208, 218, 219;
D14/125, 496, 507; 348/373–376;
396/535, 539–541

CPC G03B 15/03; G03B 17/02; G03B 17/04;
G03B 17/56; G03B 19/04; H04N 5/2251;
H04N 5/2252; H04N 5/2253; H04N
5/2254; H04N 2101/00

See application file for complete search history.

(56) **References Cited**

U.S. PATENT DOCUMENTS

D441,384 S * 5/2001 Bodnar D16/200
D616,901 S * 6/2010 Ward D14/50

D651,632 S * 1/2012 Kim D16/202
D729,295 S * 5/2015 Onruang D16/202
D747,379 S * 1/2016 Onruang D16/202
D754,767 S * 4/2016 Sandy D16/202
D755,271 S * 5/2016 Patulski D16/202
D755,272 S * 5/2016 Patulski D16/202
D770,553 S * 11/2016 Schield D16/202
D794,695 S * 8/2017 Zhang D16/218
D802,644 S * 11/2017 Lee D16/202

* cited by examiner

Primary Examiner — Ramzi S Almatrahi

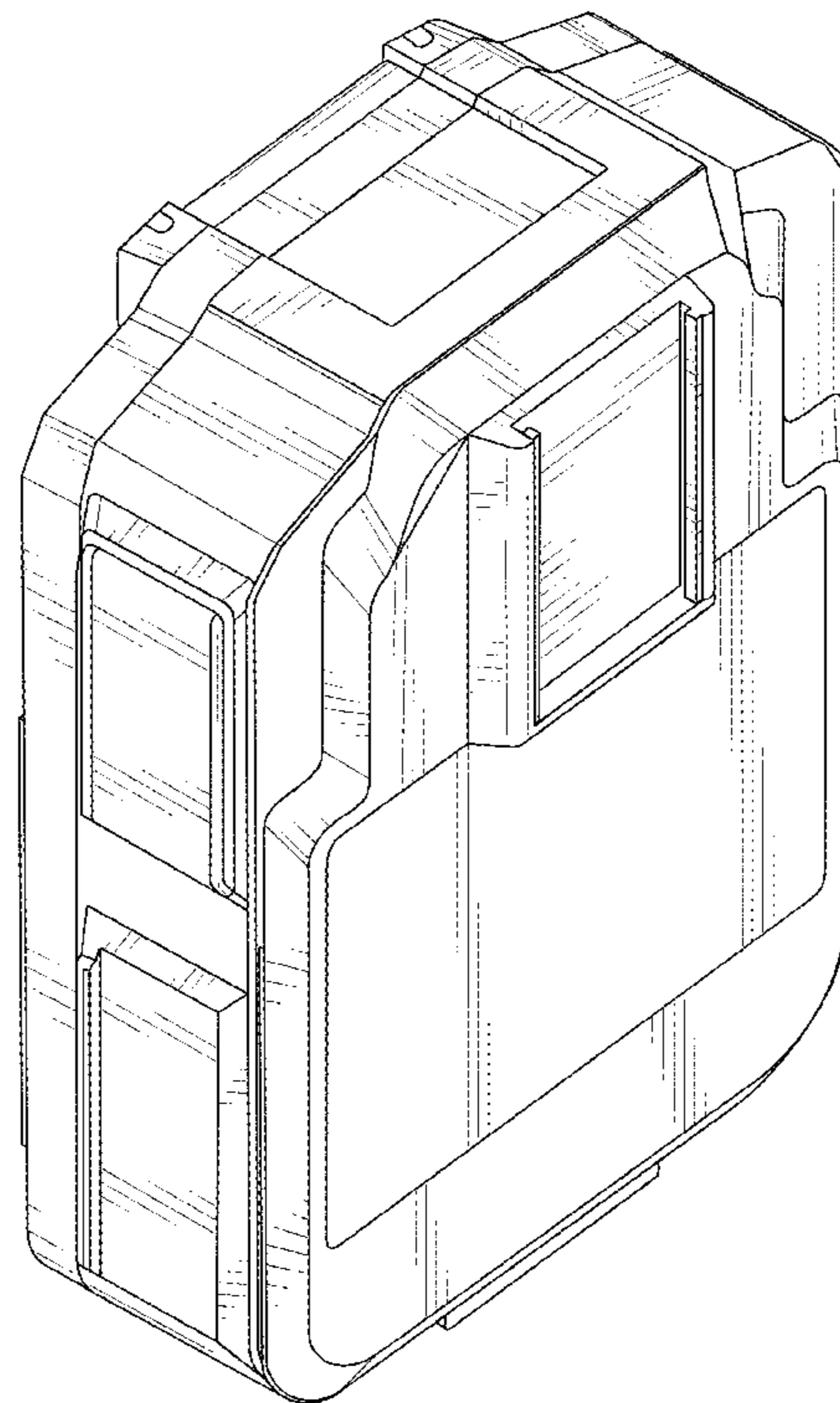
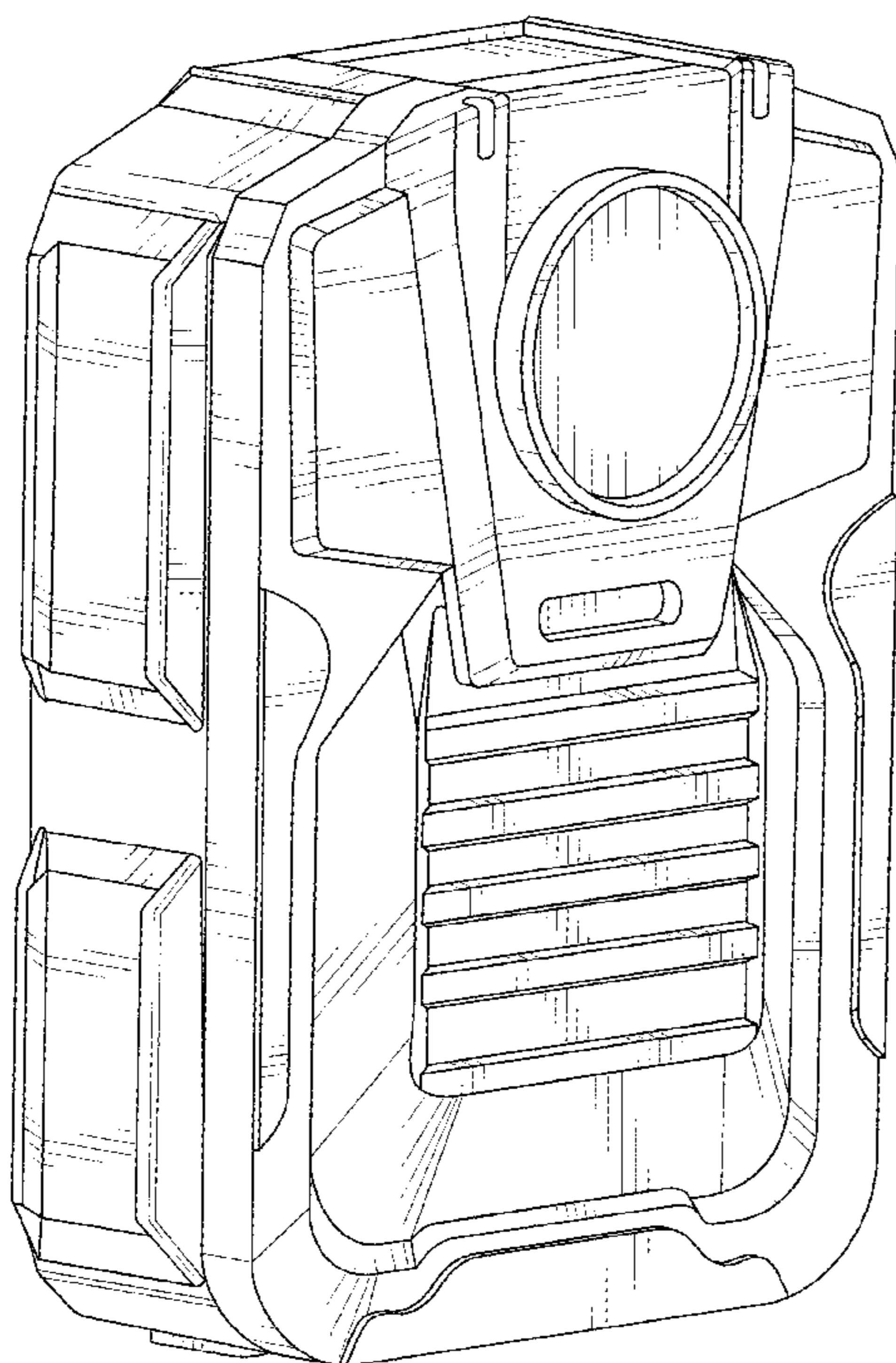
(57) **CLAIM**

The ornamental design for a body camera, as shown and described.

DESCRIPTION

FIG. 1 is a front perspective view of a body camera showing my new design;
FIG. 2 is a rear perspective view thereof;
FIG. 3 is a front elevational view thereof;
FIG. 4 is a rear elevational view thereof;
FIG. 5 is a left side elevational view thereof;
FIG. 6 is a right side elevational view thereof;
FIG. 7 is a top plan view thereof;
FIG. 8 is a bottom plan view thereof;
FIG. 9 is a top rear perspective view thereof; and,
FIG. 10 is a bottom rear perspective view thereof.

1 Claim, 10 Drawing Sheets



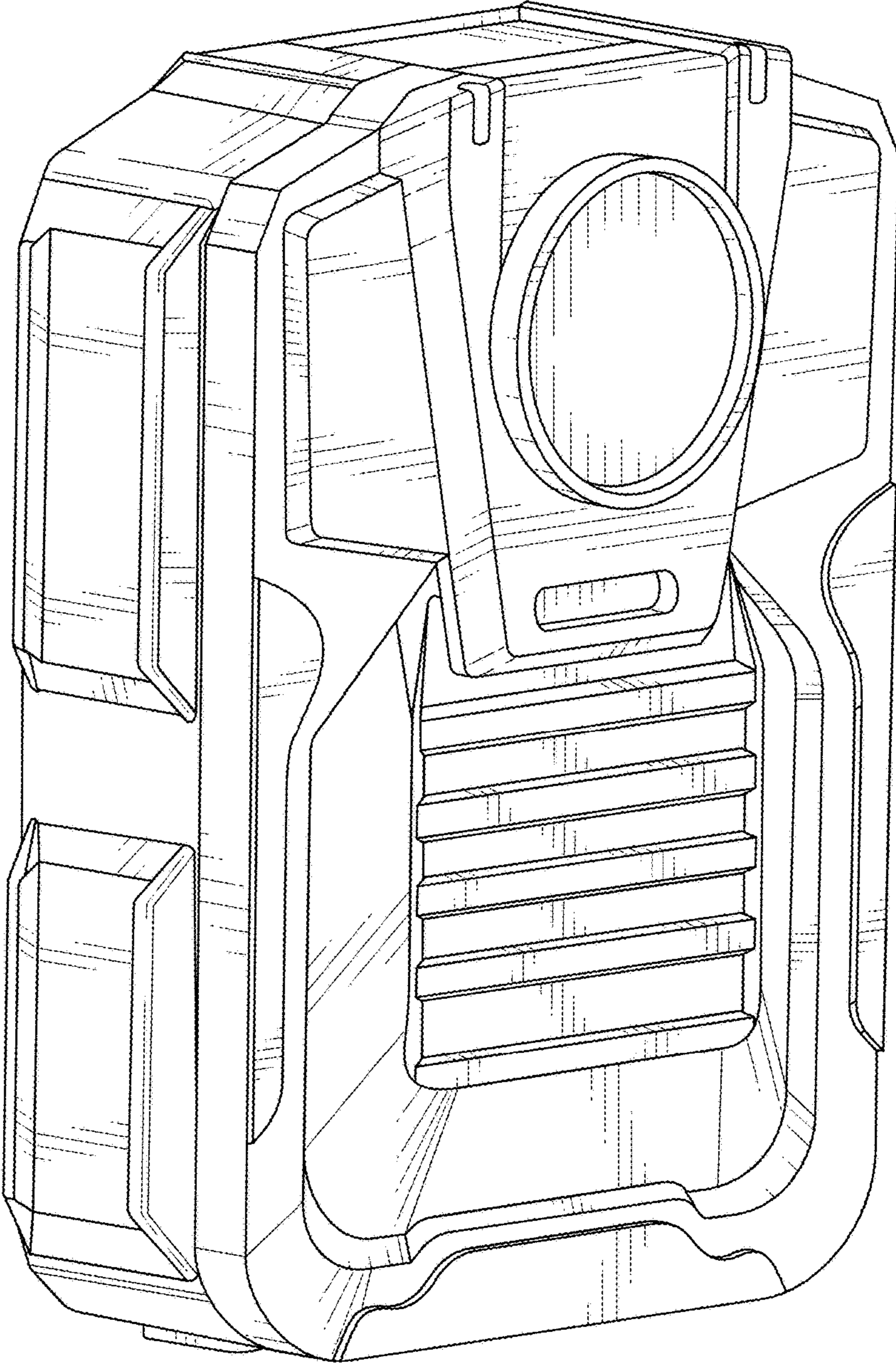


FIG. 1

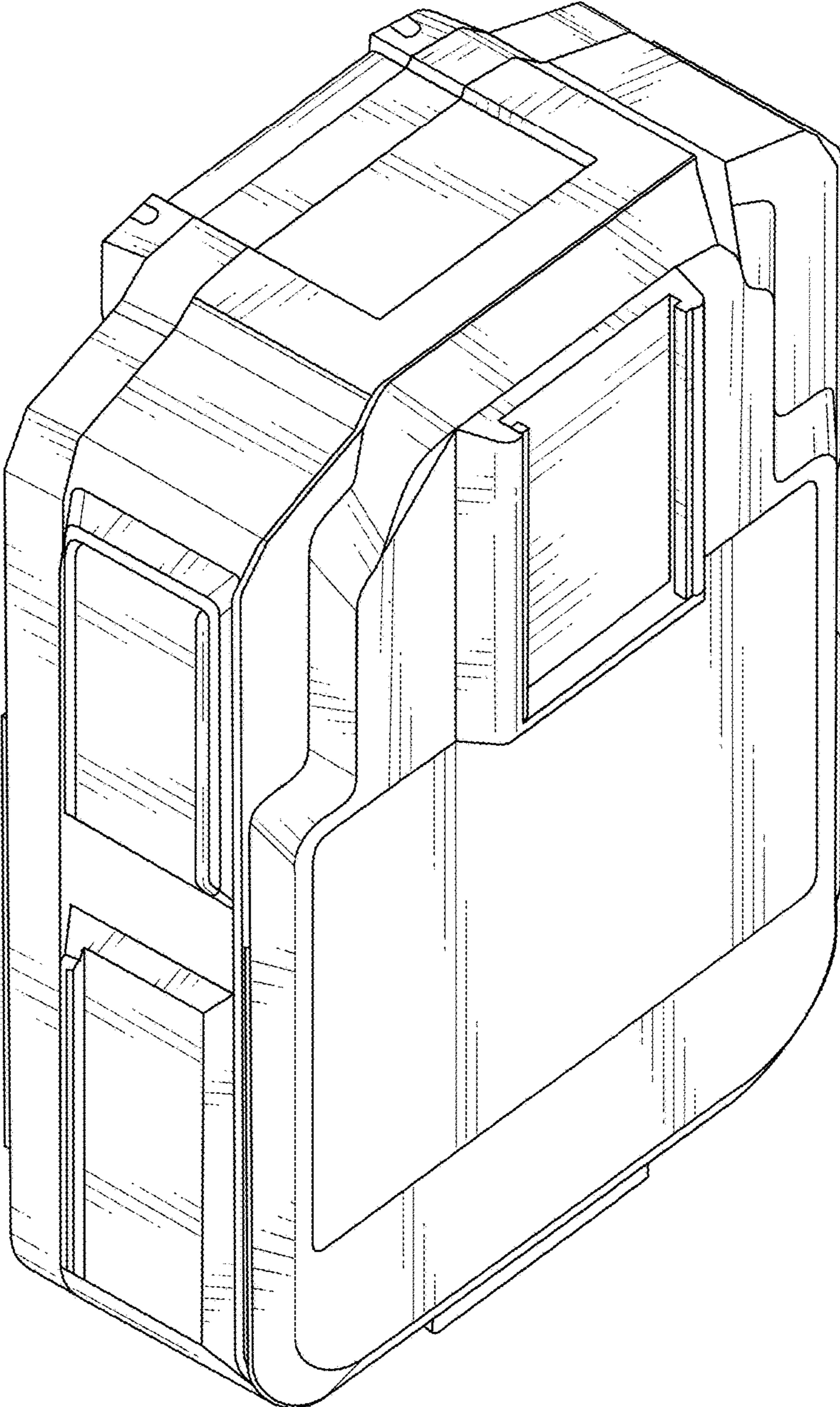


FIG. 2

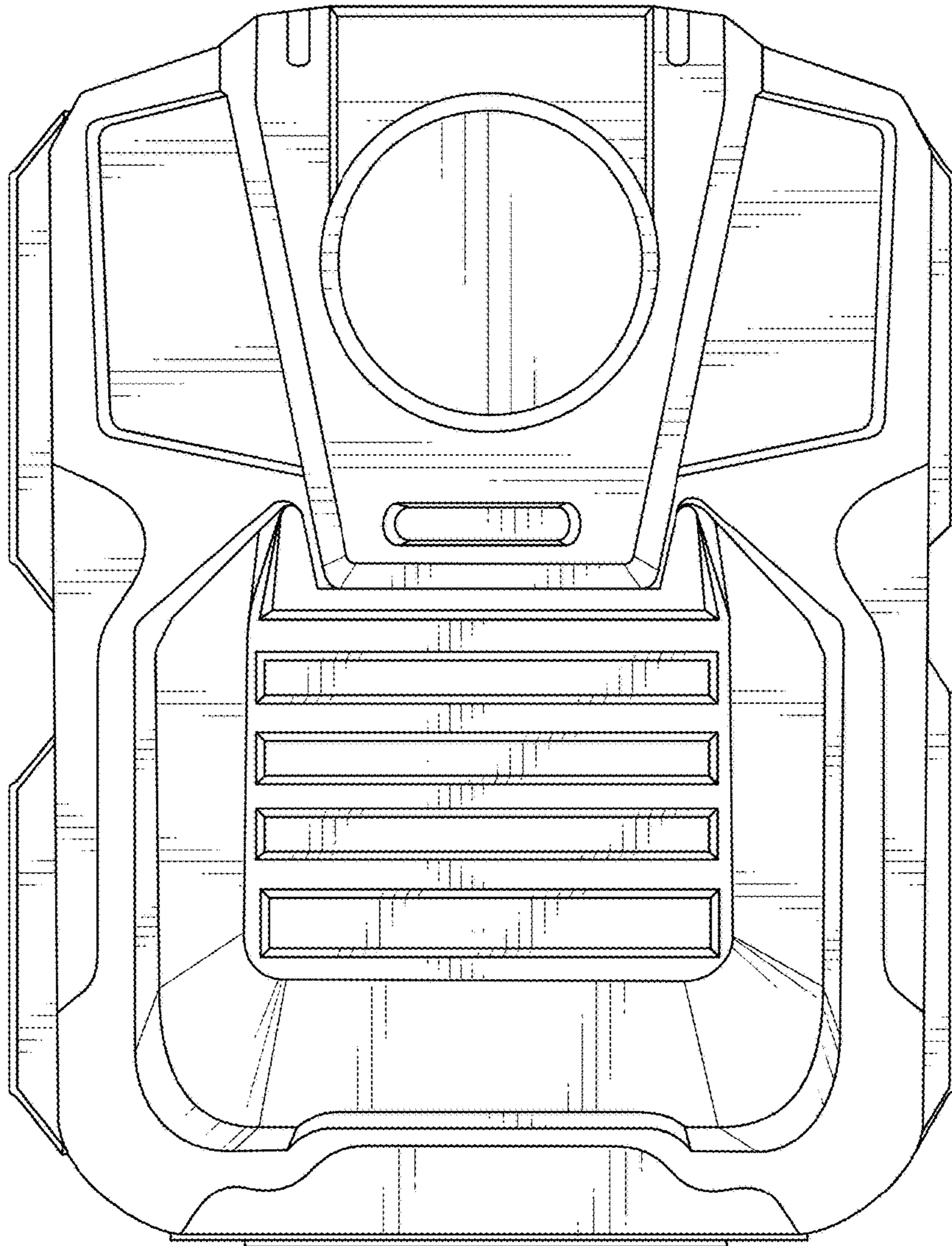


FIG. 3

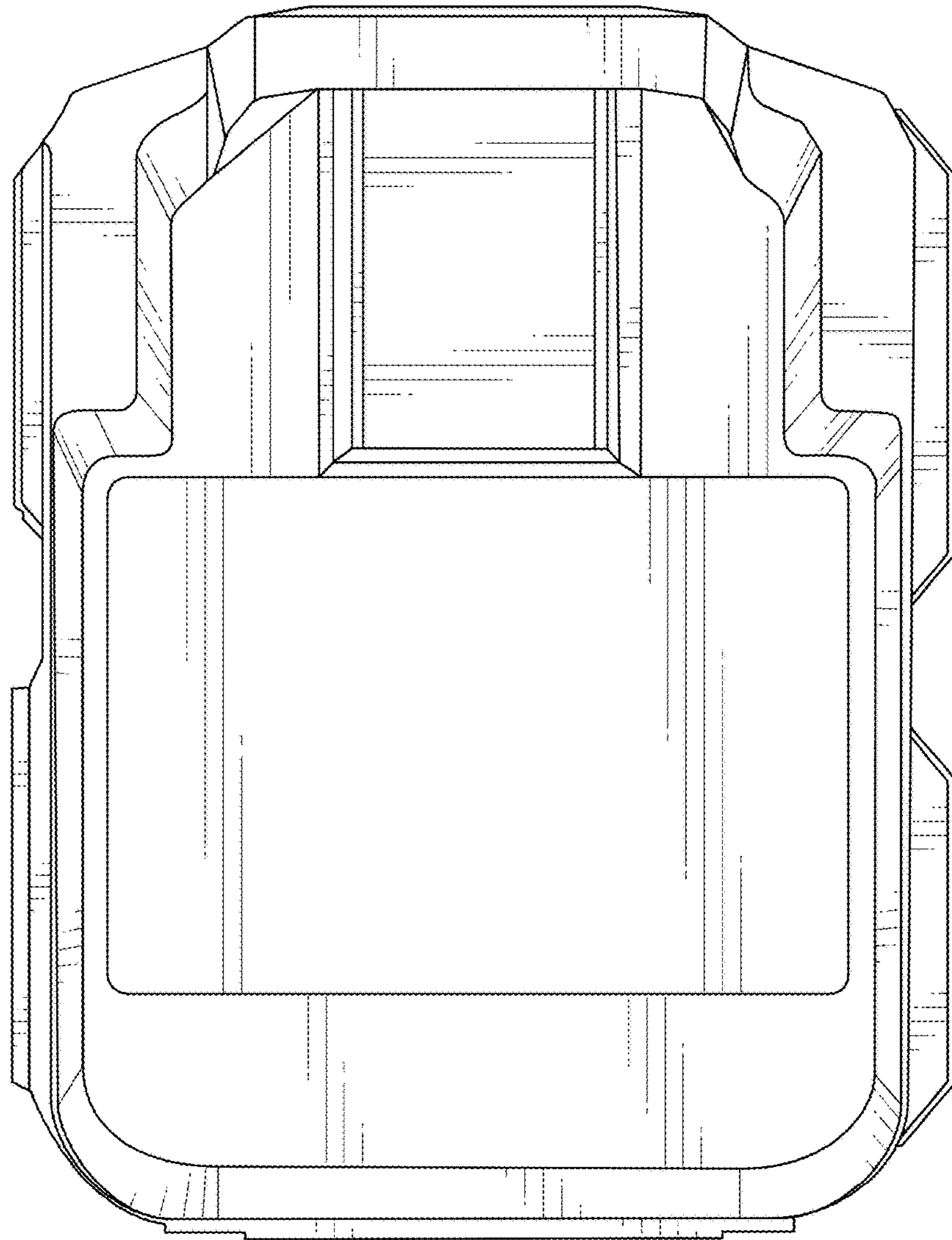


FIG. 4

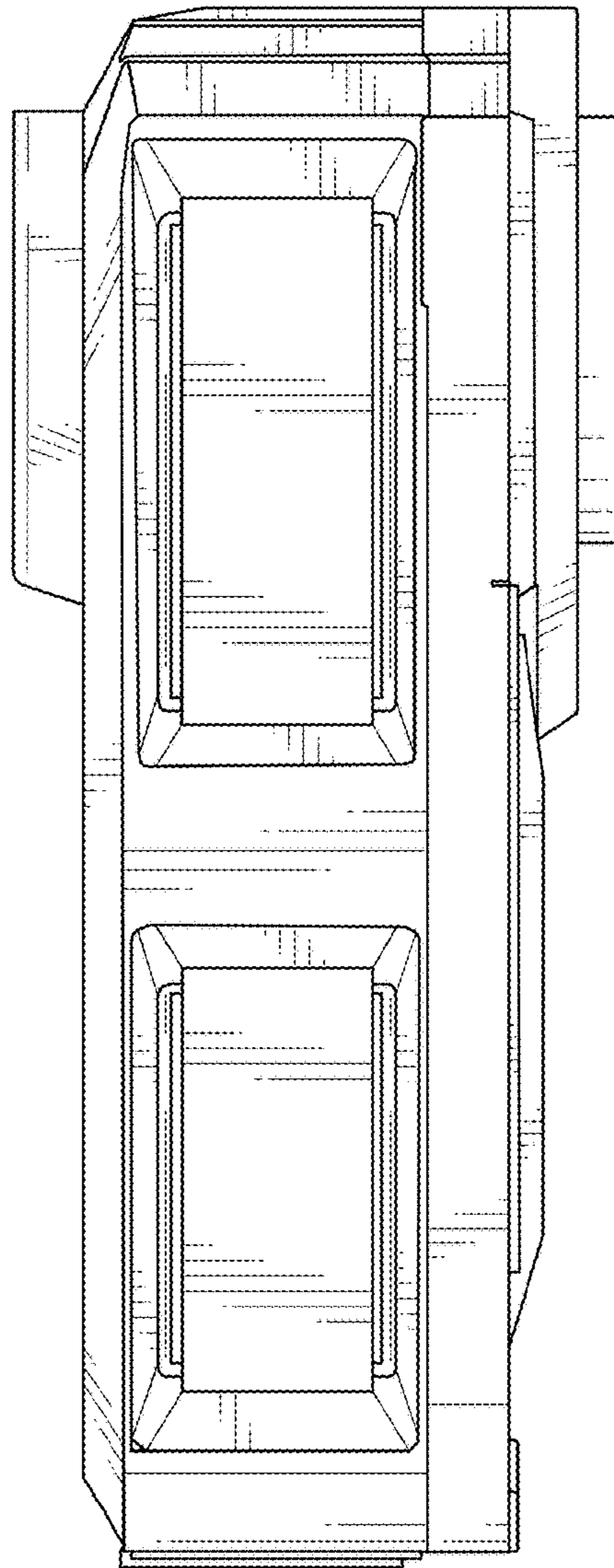


FIG. 5

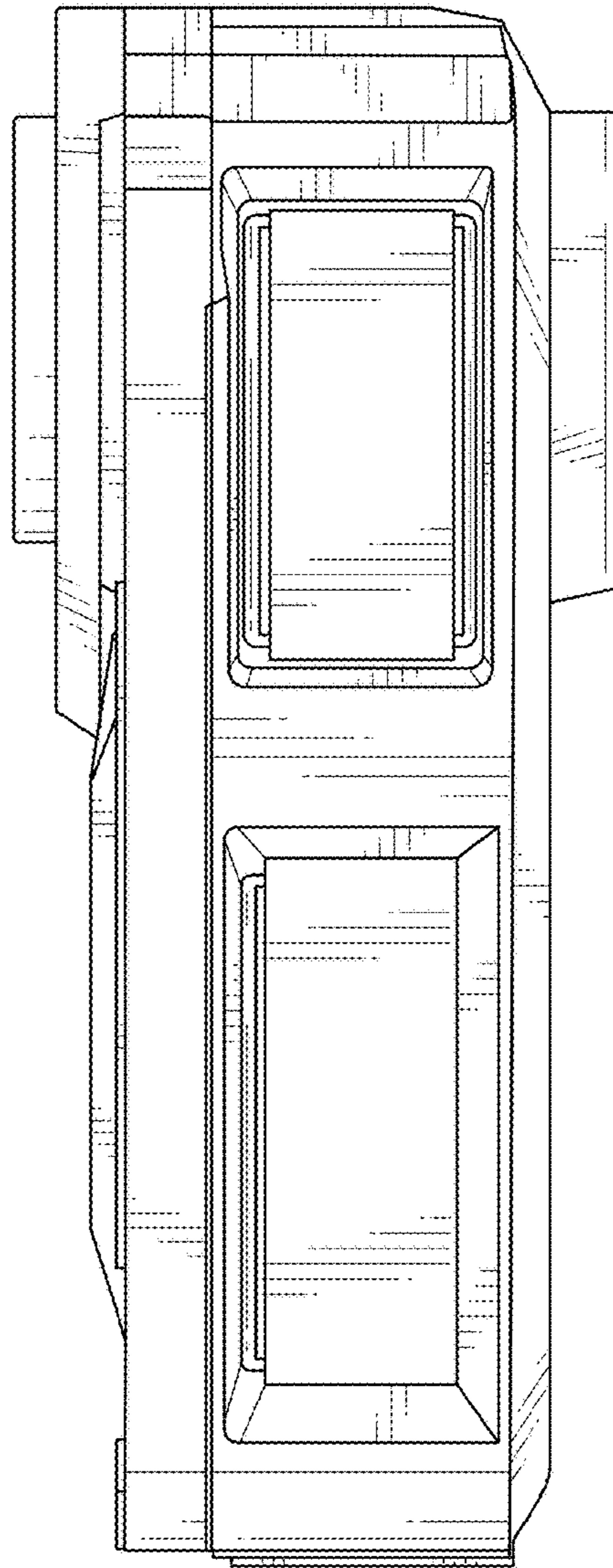


FIG. 6

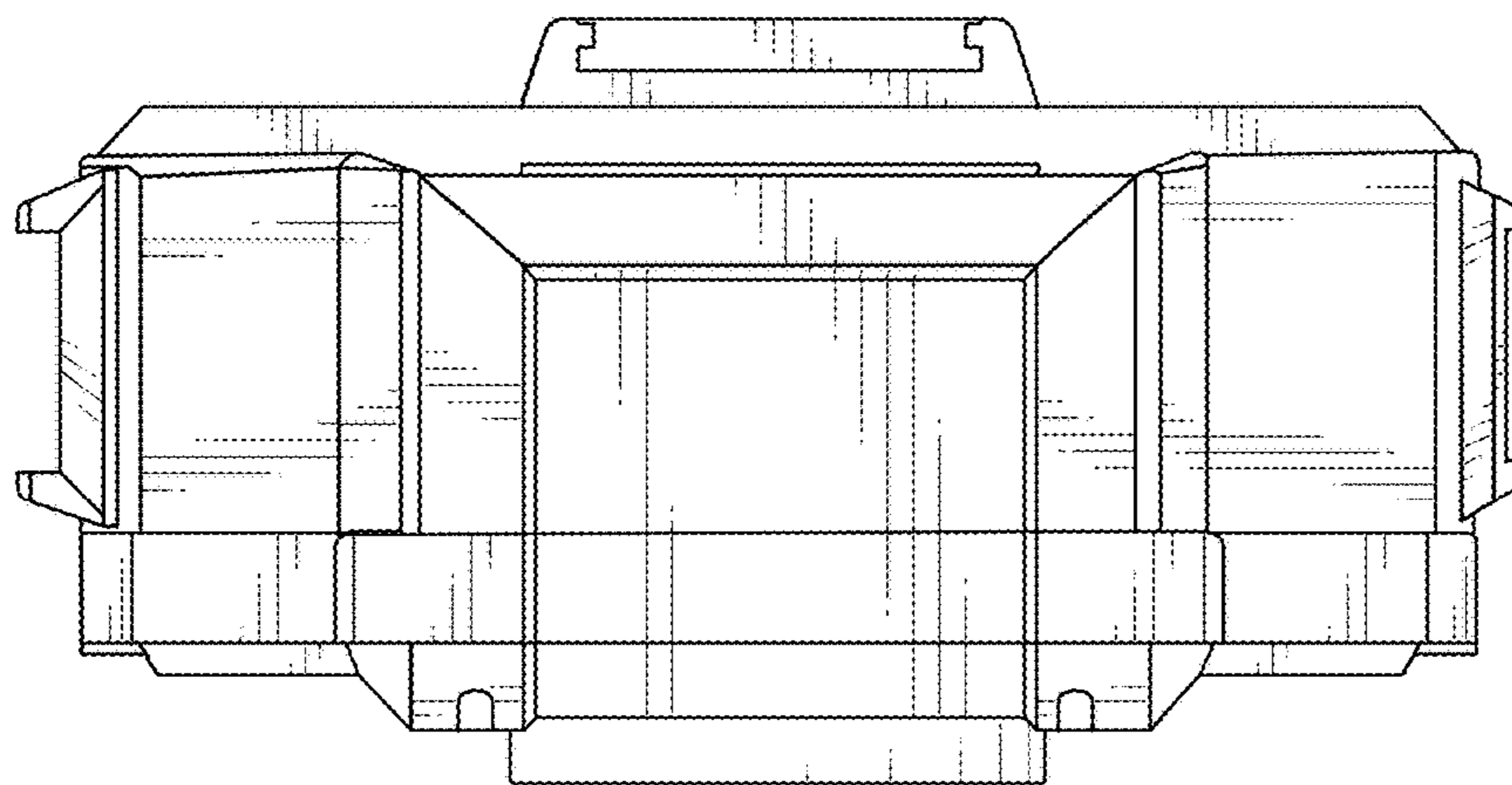


FIG. 7

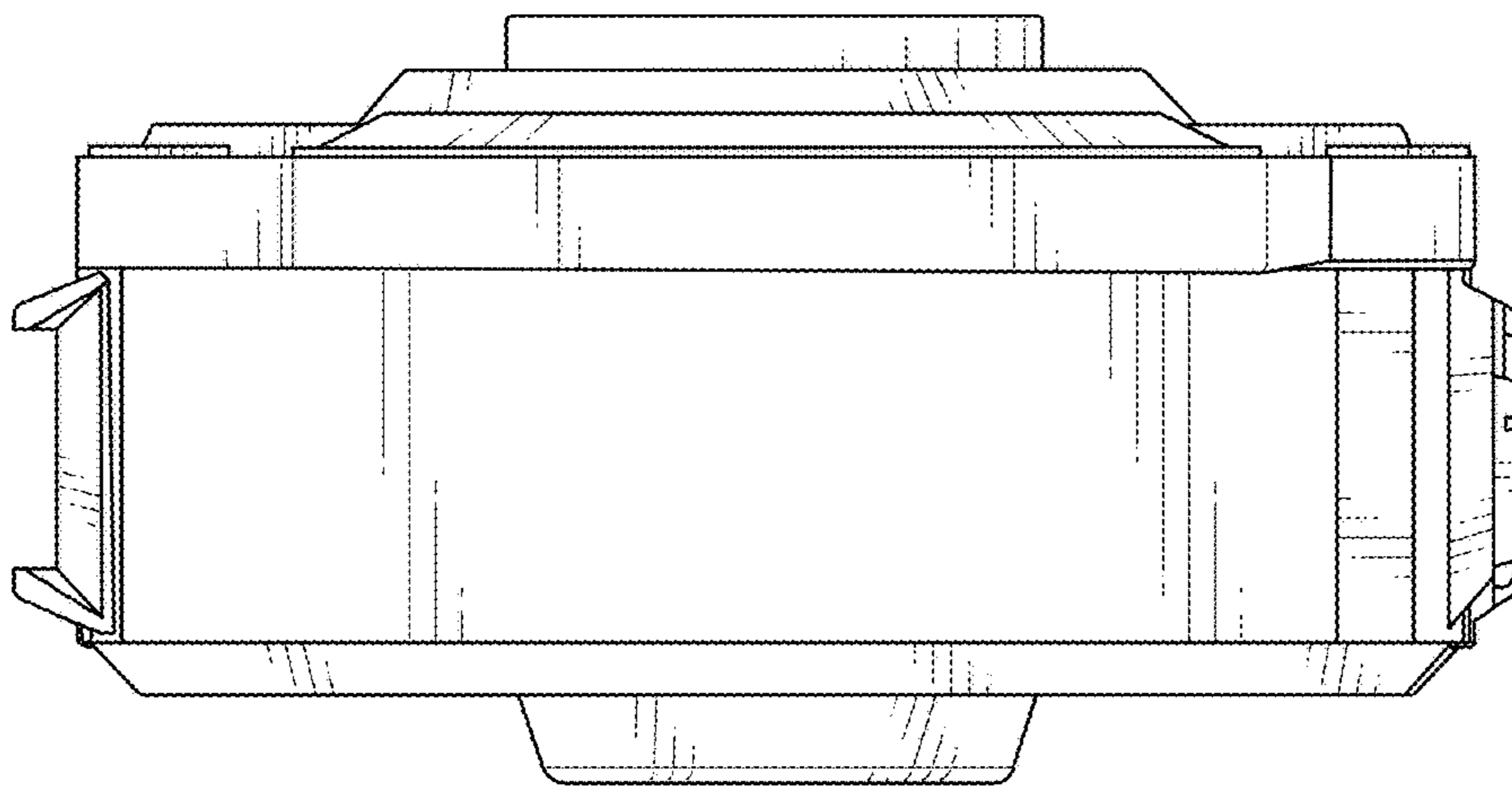


FIG. 8

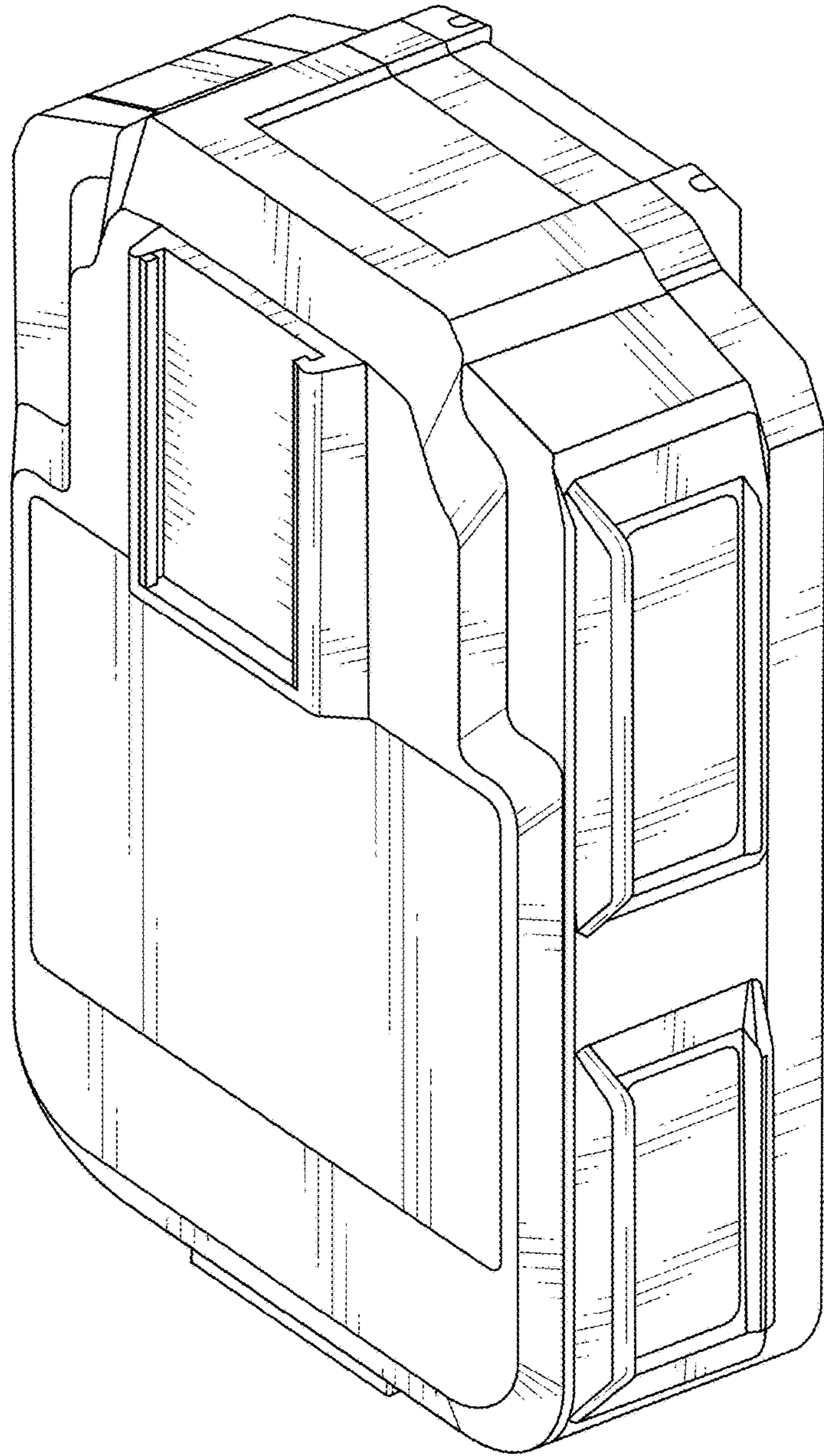


FIG. 9

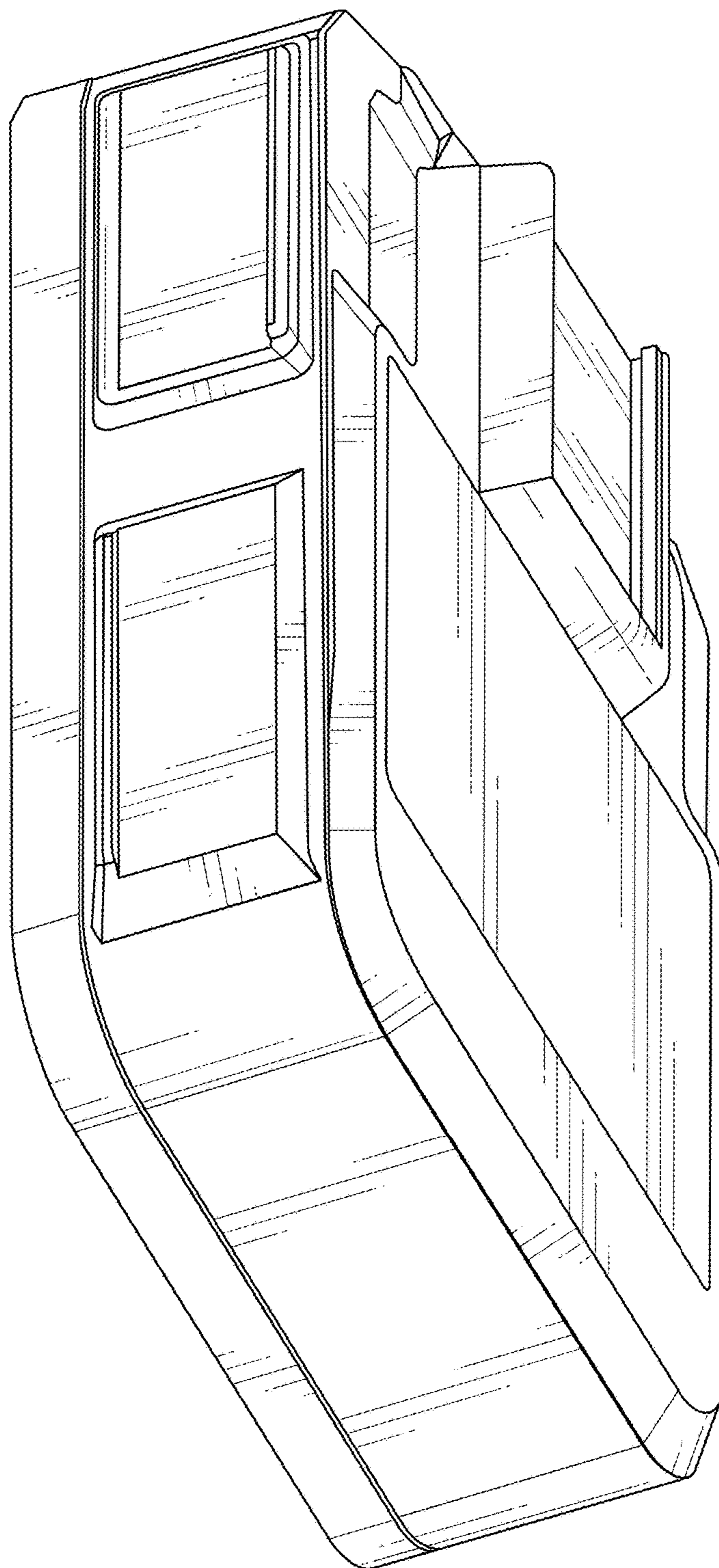


FIG. 10