



US00D865843S

(12) **United States Design Patent** (10) **Patent No.:** **US D865,843 S**
Hu (45) **Date of Patent:** **** Nov. 5, 2019**

(54) **SPORTS CAMERA**
(71) Applicant: **Shenzhen Baker AV Digital Technology Co., Ltd., Guangdong (CN)**
(72) Inventor: **Zhihui Hu, Guangdong (CN)**
(**) Term: **15 Years**
(21) Appl. No.: **29/627,816**
(22) Filed: **Nov. 29, 2017**
(51) **LOC (12) Cl.** **16-01**
(52) **U.S. Cl.**
USPC **D16/218**
(58) **Field of Classification Search**
USPC D16/200, 202–207, 208–210, 212, 218, D16/219; 348/373–376; 396/448, 535, 396/539–541
CPC G03B 15/03; G03B 17/02; G03B 17/04; G03B 17/56; G03B 19/04; H04N 5/2251; H04N 5/2252; H04N 5/2253; H04N 5/2254; H04N 2101/00
See application file for complete search history.

7,801,439 B2 * 9/2010 Nagata G03B 17/12 396/301
D721,395 S * 1/2015 Woodman D16/218
D737,879 S * 9/2015 Woodman D16/218
D772,966 S * 11/2016 Song D16/200
D777,232 S * 1/2017 Lillquist D16/202
D789,435 S * 6/2017 Nguyen D16/202
D790,002 S * 6/2017 Nguyen D16/218
D793,463 S * 8/2017 Houin D16/202
D800,202 S * 10/2017 Hu D16/218

* cited by examiner

Primary Examiner — Ramzi S Almatrahi
(74) *Attorney, Agent, or Firm* — Prakash Nama; Global IP Services, PLLC

(57) **CLAIM**

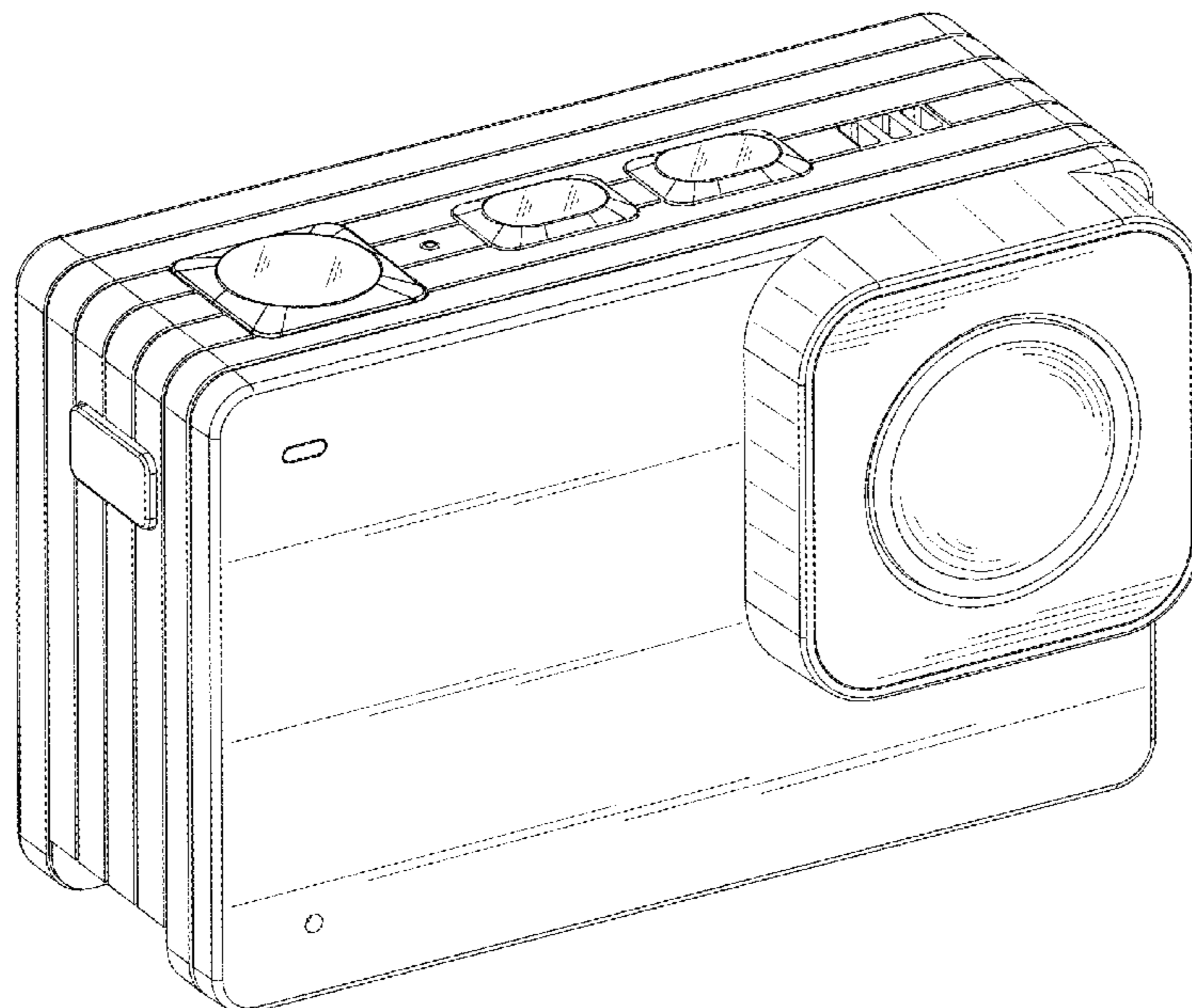
The ornamental design for a sports camera, as shown and described.

DESCRIPTION

FIG. 1 is a front elevational view of a sports camera showing my new design;
FIG. 2 is a rear elevational view thereof;
FIG. 3 is a left side view thereof;
FIG. 4 is a right side view thereof;
FIG. 5 is a top plan view thereof;
FIG. 6 is a bottom plan view thereof; and,
FIG. 7 is a perspective view thereof.
The broken lines depict portions of the sports camera in which the design is embodied that form no part of the claimed design.

1 Claim, 7 Drawing Sheets

(56) **References Cited**
U.S. PATENT DOCUMENTS
6,788,887 B2 * 9/2004 Takeshita G03B 17/06 396/286
D533,574 S * 12/2006 Hamamura D16/202
D548,256 S * 8/2007 Hase D16/202
7,768,727 B2 * 8/2010 Iida G02B 7/102 359/819



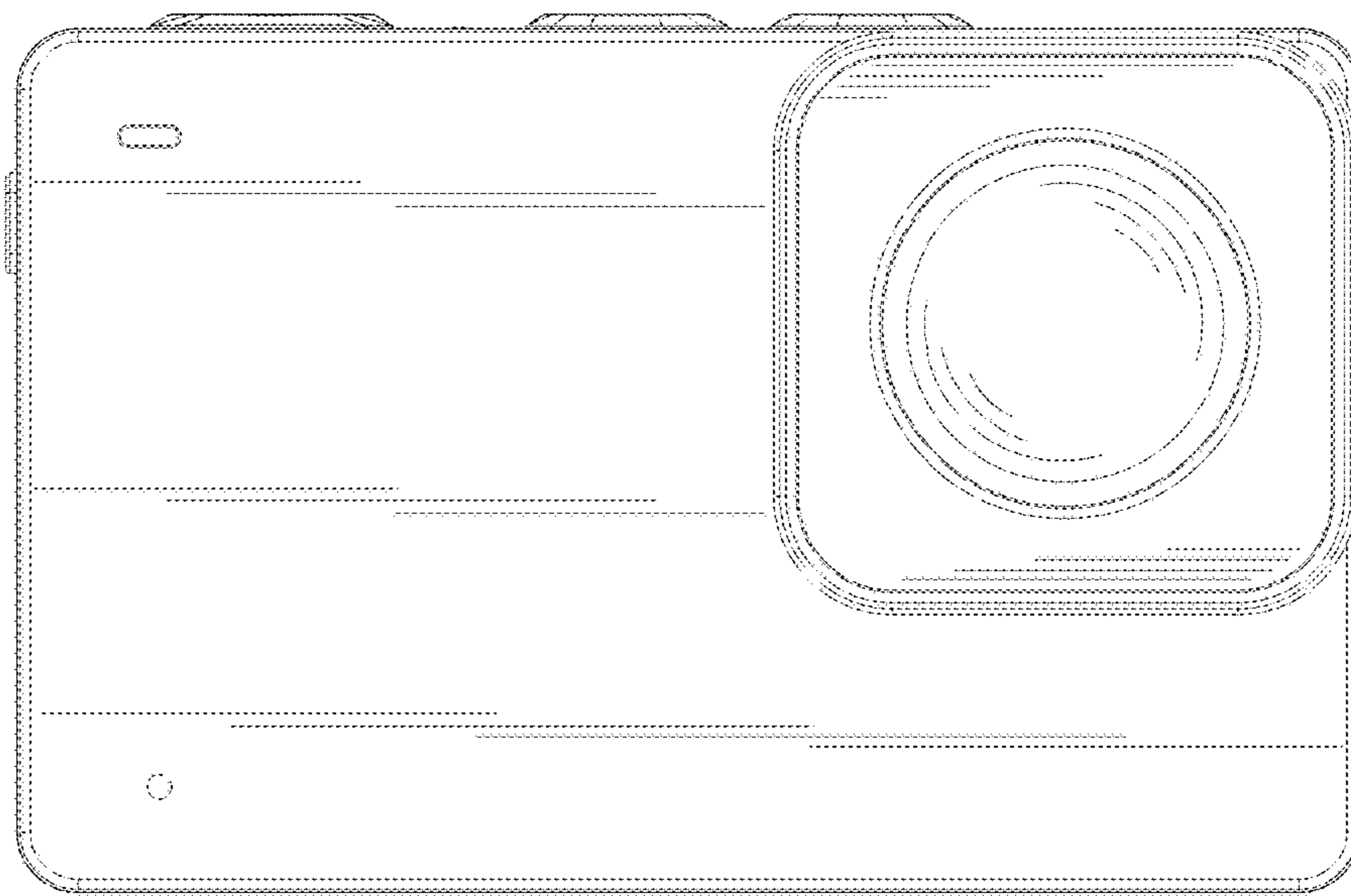


Fig. 1



Fig. 2

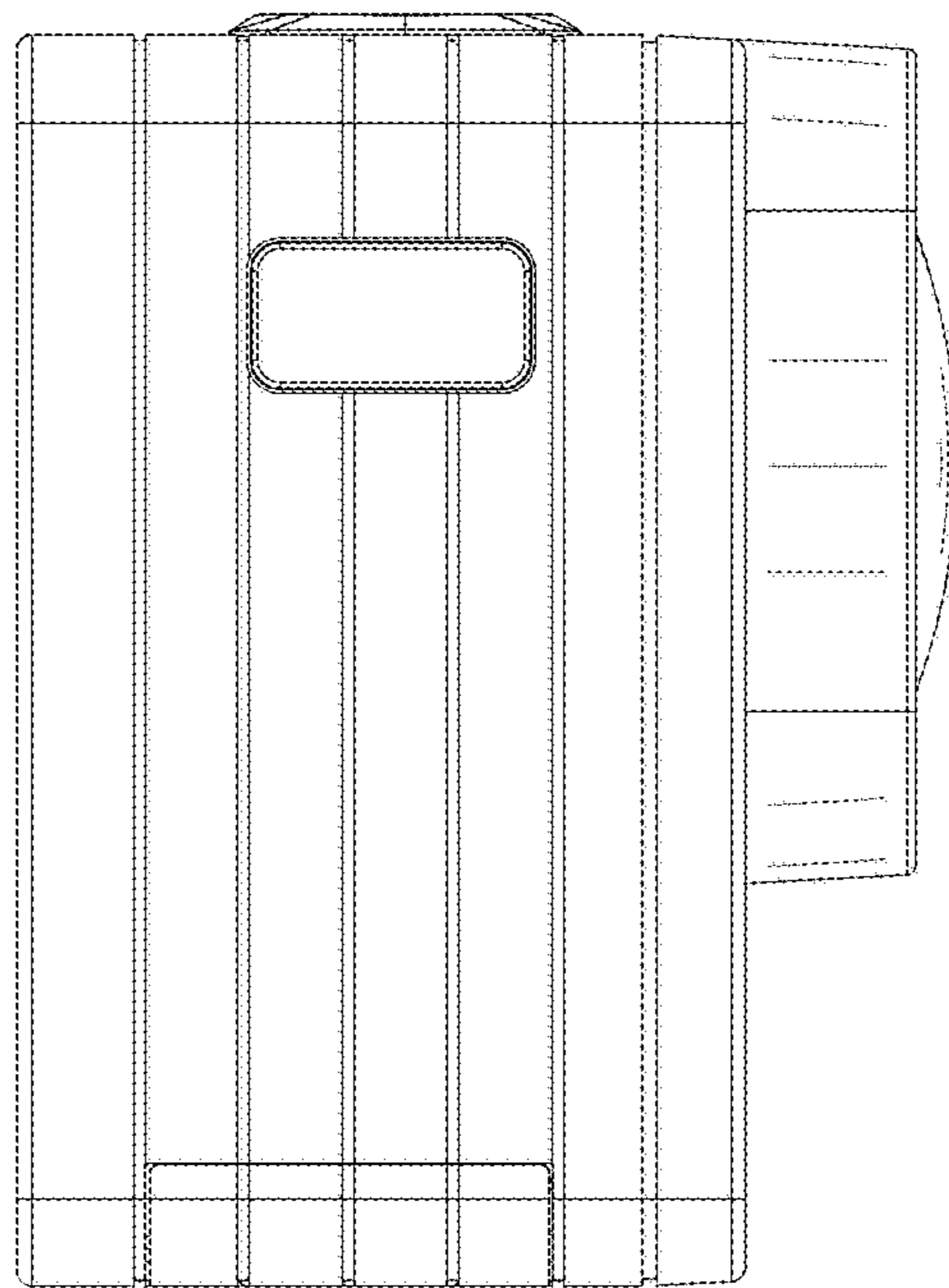


Fig. 3

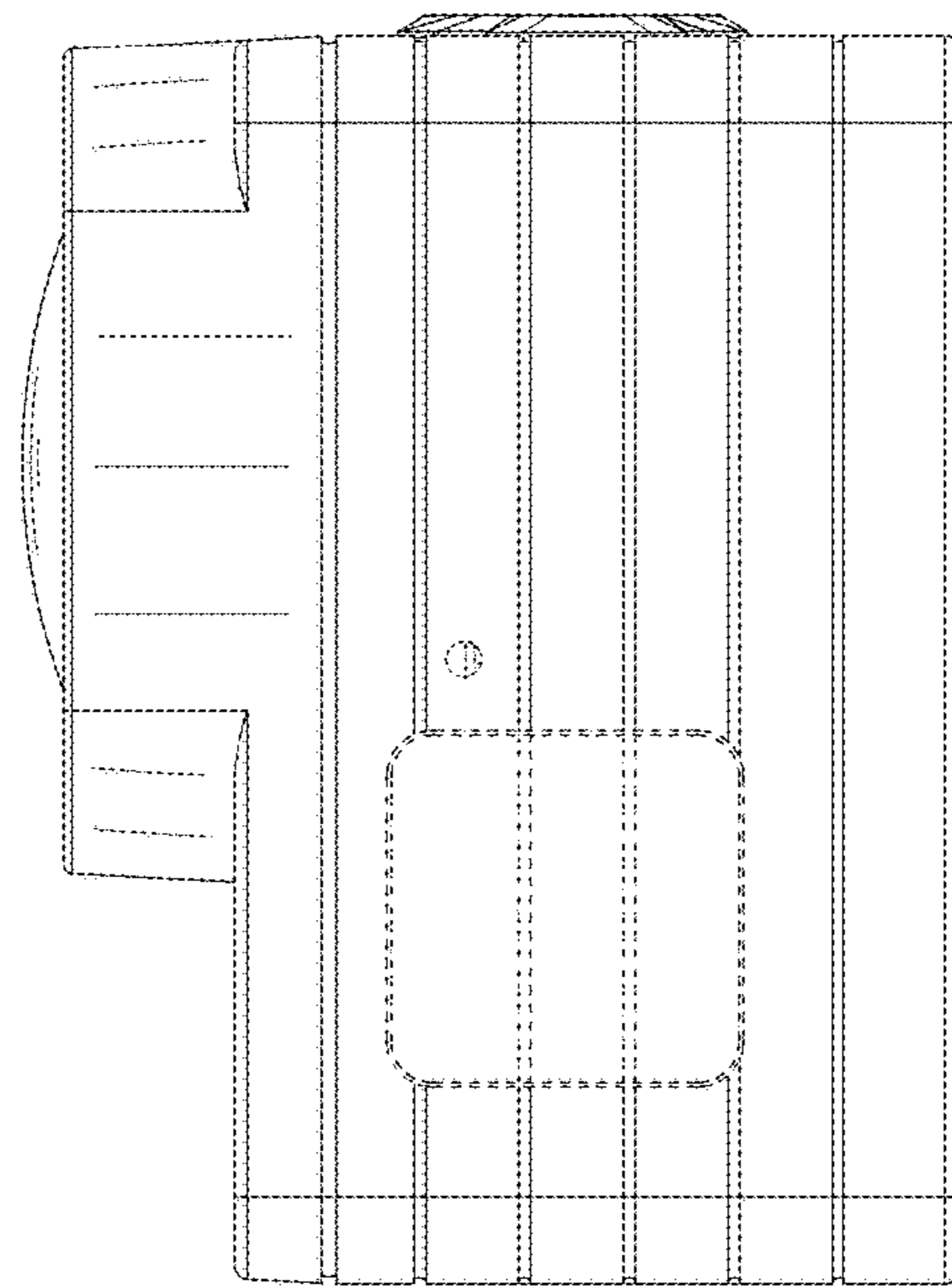


Fig. 4

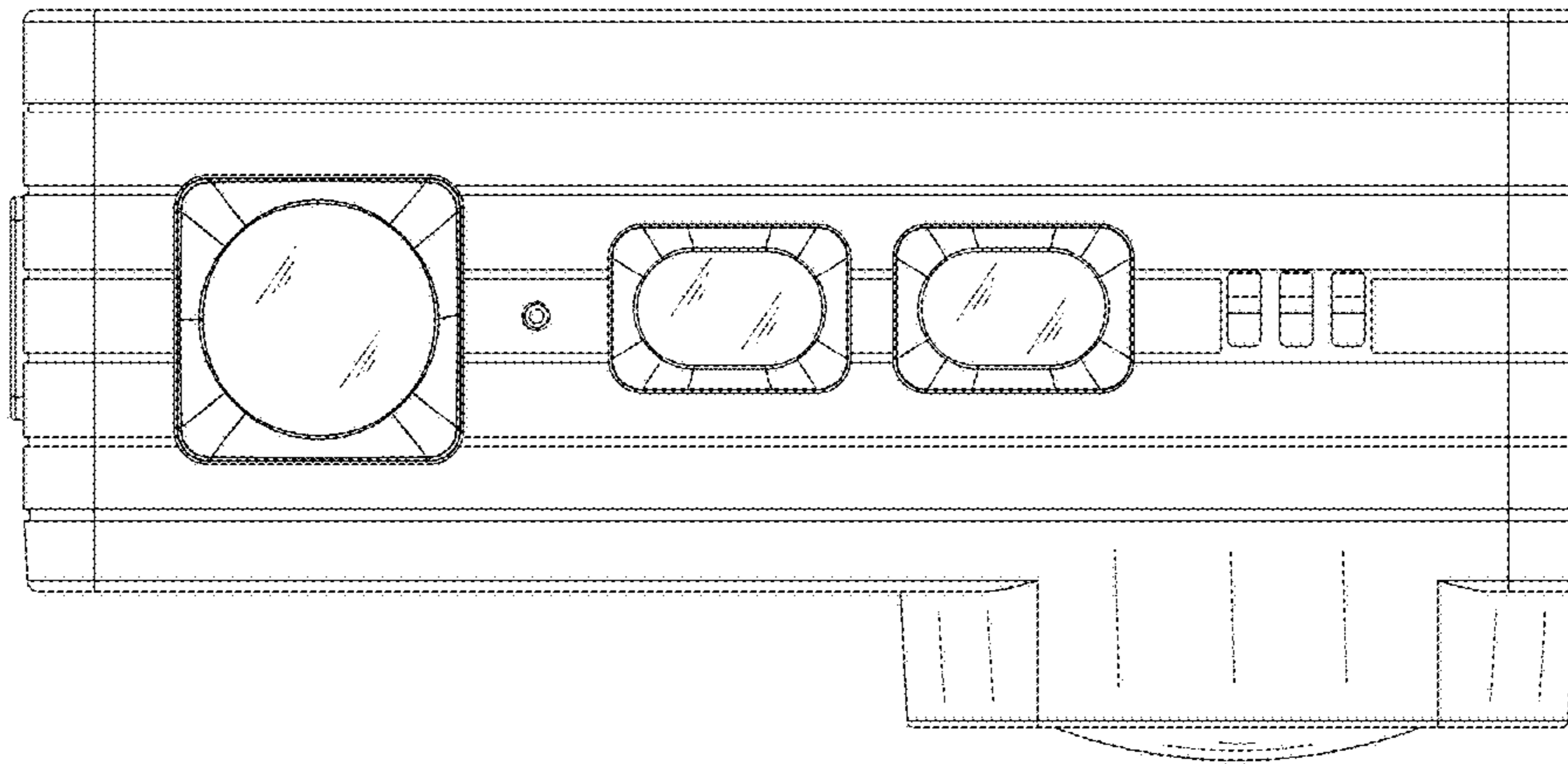


Fig. 5

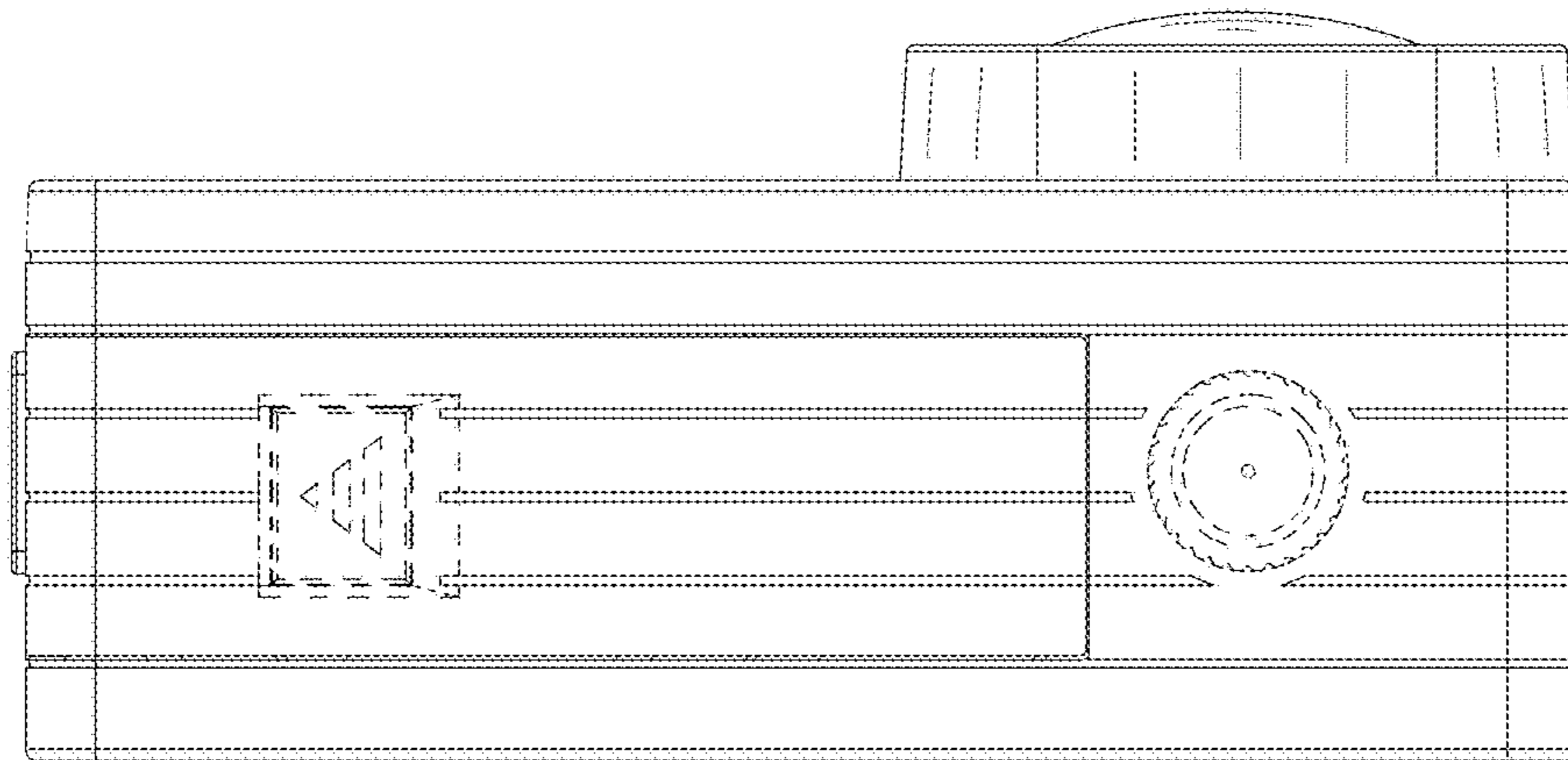


Fig. 6

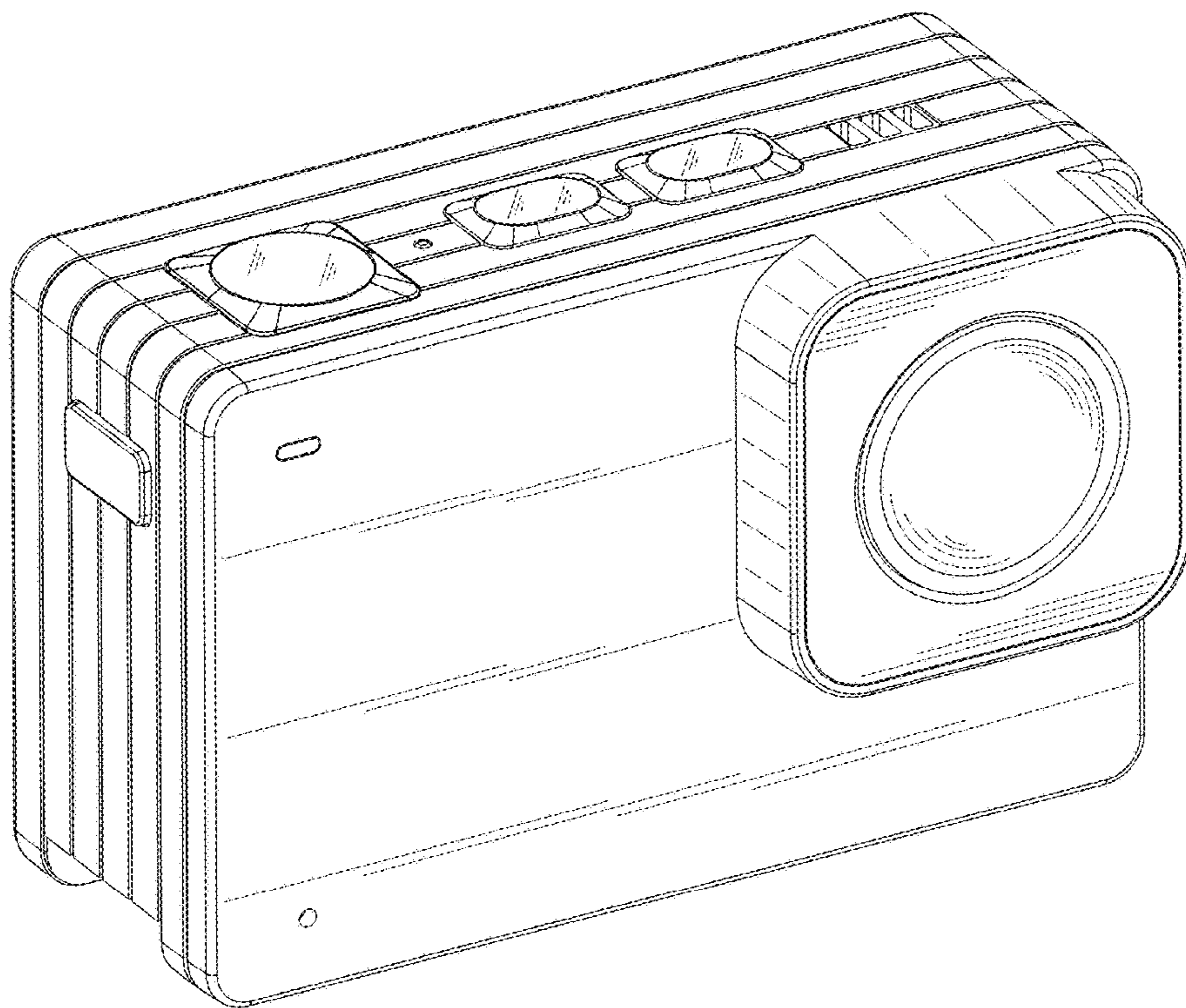


Fig. 7