



US00D865841S

(12) **United States Design Patent**
Dattila

(10) **Patent No.:** **US D865,841 S**
(45) **Date of Patent:** **** Nov. 5, 2019**

(54) **SURVEILLANCE CAMERA**

(71) Applicant: **BITRON VIDEO S.R.L.**, Turin (IT)

(72) Inventor: **Francesca Dattila**, Caluso (IT)

(73) Assignee: **SmaBiT GmbH**, Berlin (DE)

(**) Term: **15 Years**

(21) Appl. No.: **29/637,833**

(22) Filed: **Feb. 22, 2018**

(30) **Foreign Application Priority Data**

Sep. 6, 2017 (EM) 004244549

(51) **LOC (12) Cl.** **16-01**

(52) **U.S. Cl.**
USPC **D16/203**

(58) **Field of Classification Search**
USPC D16/200–220, 131, 237, 242, 239, 250,
D16/235, 130, 134, 136, 238;
D14/138 C, 240, 248, 203.1, 203.3,
D14/203.7; D10/104.1, 50, 65, 74, 70,
D10/118.2

CPC ... G02B 7/02; G02B 7/04; G02B 7/14; G02B
3/14; G03B 17/00; G03B 17/02; G03B
17/56; G03B 17/04; G03B 17/14; G03B
15/03; G03B 9/08; H04N 5/2251; H04N
5/2252; H04N 5/2253; H04N 5/2254;
H04N 7/00; H04N 2101/00; F16M 13/00
See application file for complete search history.

(56) **References Cited**

U.S. PATENT DOCUMENTS

481,521 A * 8/1892 Bina B65D 5/008
229/116
D50,011 S * 12/1916 Bell D9/529
D178,575 S * 8/1956 Larson D26/24

D191,460 S * 10/1961 Ducommun D10/14
D234,308 S * 2/1975 Bowley D21/506
D249,240 S * 9/1978 Klitzner D3/271.6
D250,174 S * 11/1978 Hedgecock D10/1
4,142,604 A * 3/1979 Smith H04R 1/021
181/154
D261,373 S * 10/1981 Fisher D10/21
4,300,478 A * 11/1981 Wise A01K 63/003
119/249
D263,255 S * 3/1982 Zima D25/26
D274,056 S * 5/1984 Myer D14/172
D276,773 S * 12/1984 Rodriguez D11/131
4,516,529 A * 5/1985 Lotito A01K 63/003
119/253
D304,161 S * 10/1989 Nomizu D10/21

(Continued)

FOREIGN PATENT DOCUMENTS

CN 301217664 * 5/2010
CN 302441475 * 5/2013

(Continued)

Primary Examiner — Barbara Fox
Assistant Examiner — Mary Claire Ramirez
(74) *Attorney, Agent, or Firm* — Scully, Scott, Murphy &
Presser, P.C.

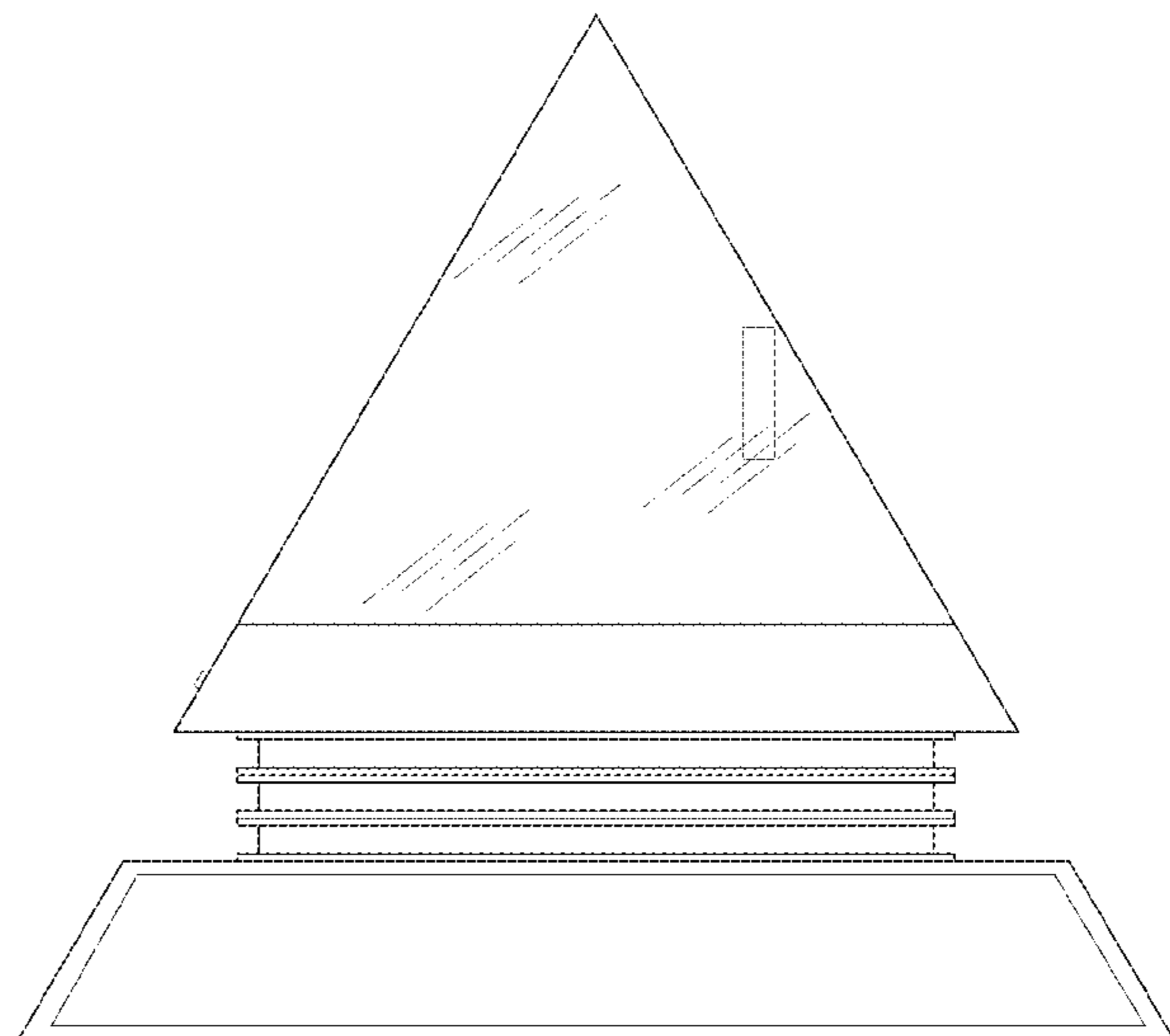
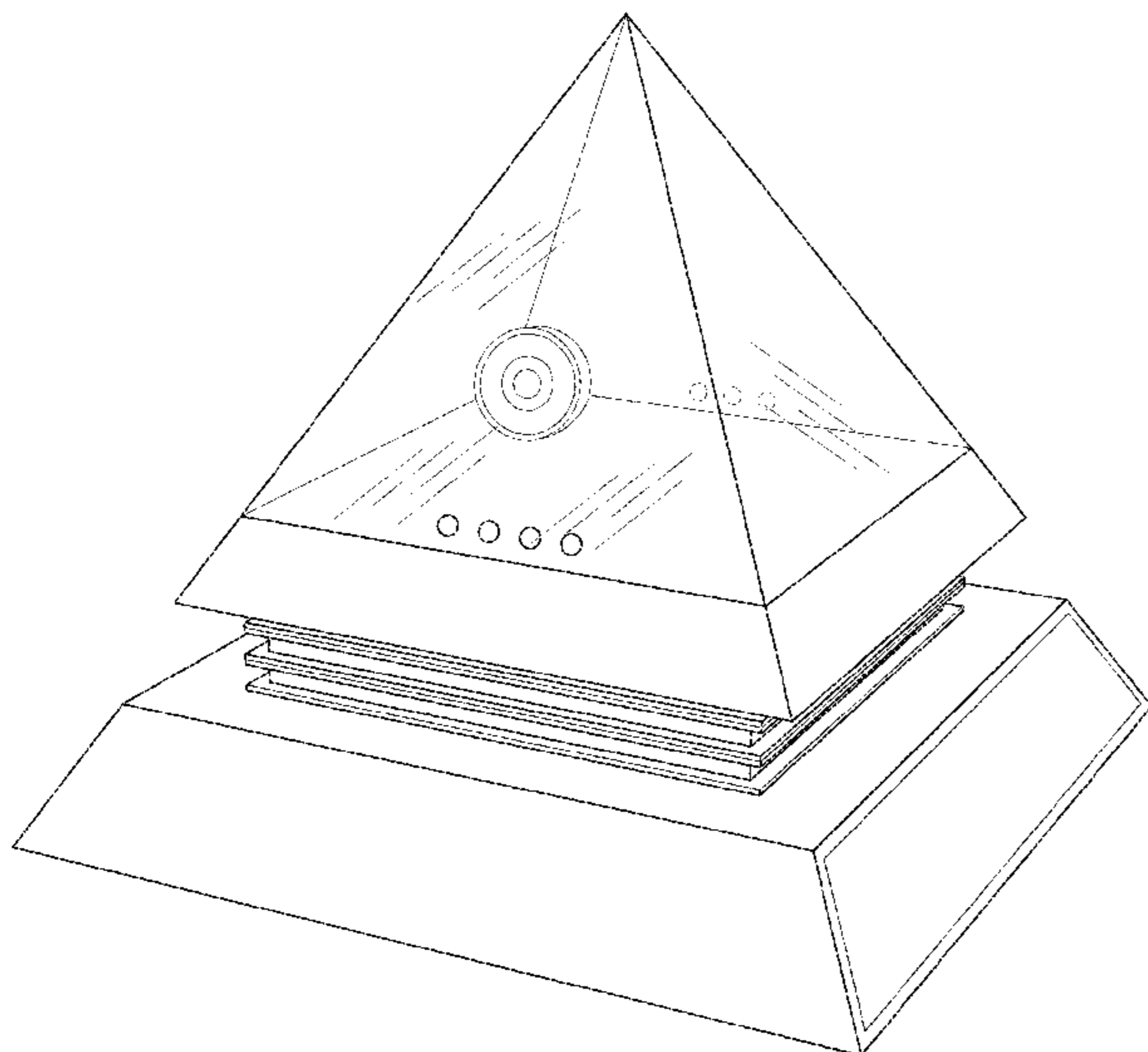
(57) **CLAIM**

The ornamental design for a surveillance camera, as shown.

DESCRIPTION

FIG. 1 is a perspective view of a surveillance camera showing my new design;
FIG. 2 is a front view;
FIG. 3 is a rear view;
FIG. 4 is a left side view;
FIG. 5 is a right side view;
FIG. 6 is a top view; and,
FIG. 7 is a bottom view.

1 Claim, 7 Drawing Sheets



(56)

References Cited

U.S. PATENT DOCUMENTS

5,043,855 A * 8/1991 Yelvington B60Q 7/00
 362/276
 D328,298 S * 7/1992 Chan D14/189
 D337,315 S * 7/1993 Riza D14/355
 D342,735 S * 12/1993 Chan D14/171
 D343,790 S * 2/1994 Mermelstein D9/418
 D345,699 S * 4/1994 Yang D10/15
 D349,117 S * 7/1994 Rasansky D14/218
 D354,973 S * 1/1995 Hisatune 348/143
 D357,019 S * 4/1995 Rasansky D14/218
 D359,587 S * 6/1995 Ross D30/101
 D373,528 S * 9/1996 Ser Tuen Wei D9/418
 D375,421 S * 11/1996 Weiner D20/10
 D376,600 S * 12/1996 Vallillee D14/240
 D381,135 S * 7/1997 Hochlan, Jr. D30/124
 D423,342 S * 4/2000 Popesco D21/505
 D425,811 S * 5/2000 Dohrmann D10/106.1
 D429,387 S * 8/2000 Wise D30/101
 D432,224 S * 10/2000 Hautmann D23/366
 D443,542 S * 6/2001 Dohrmann D10/106.6
 D445,052 S * 7/2001 Dohrmann D10/106.1

D447,973 S * 9/2001 Dohrmann D10/106.6
 6,288,642 B1 * 9/2001 Dohrmann G08B 13/00
 340/540
 D478,194 S * 8/2003 McGinty D30/160
 D482,109 S * 11/2003 Woods D23/364
 D492,018 S * 6/2004 Schroder D23/364
 D529,833 S * 10/2006 D'Auvergne D10/104.1
 D551,116 S * 9/2007 Devory, Jr. D11/131
 D601,555 S * 10/2009 Zhang D14/300
 D616,139 S * 5/2010 Meeker D26/101
 D688,417 S * 8/2013 Liu D27/162
 D703,212 S * 4/2014 Cruz D14/447
 D718,431 S * 11/2014 Young D23/366
 D768,595 S * 10/2016 Wise D14/188
 D832,712 S * 11/2018 Faroudi D9/546
 D835,614 S * 12/2018 Kahn D14/240

FOREIGN PATENT DOCUMENTS

EM 004244549-0002 * 9/2017
 EM 004244549-0004 * 9/2017
 EM 004244549-0005 * 9/2017

* cited by examiner

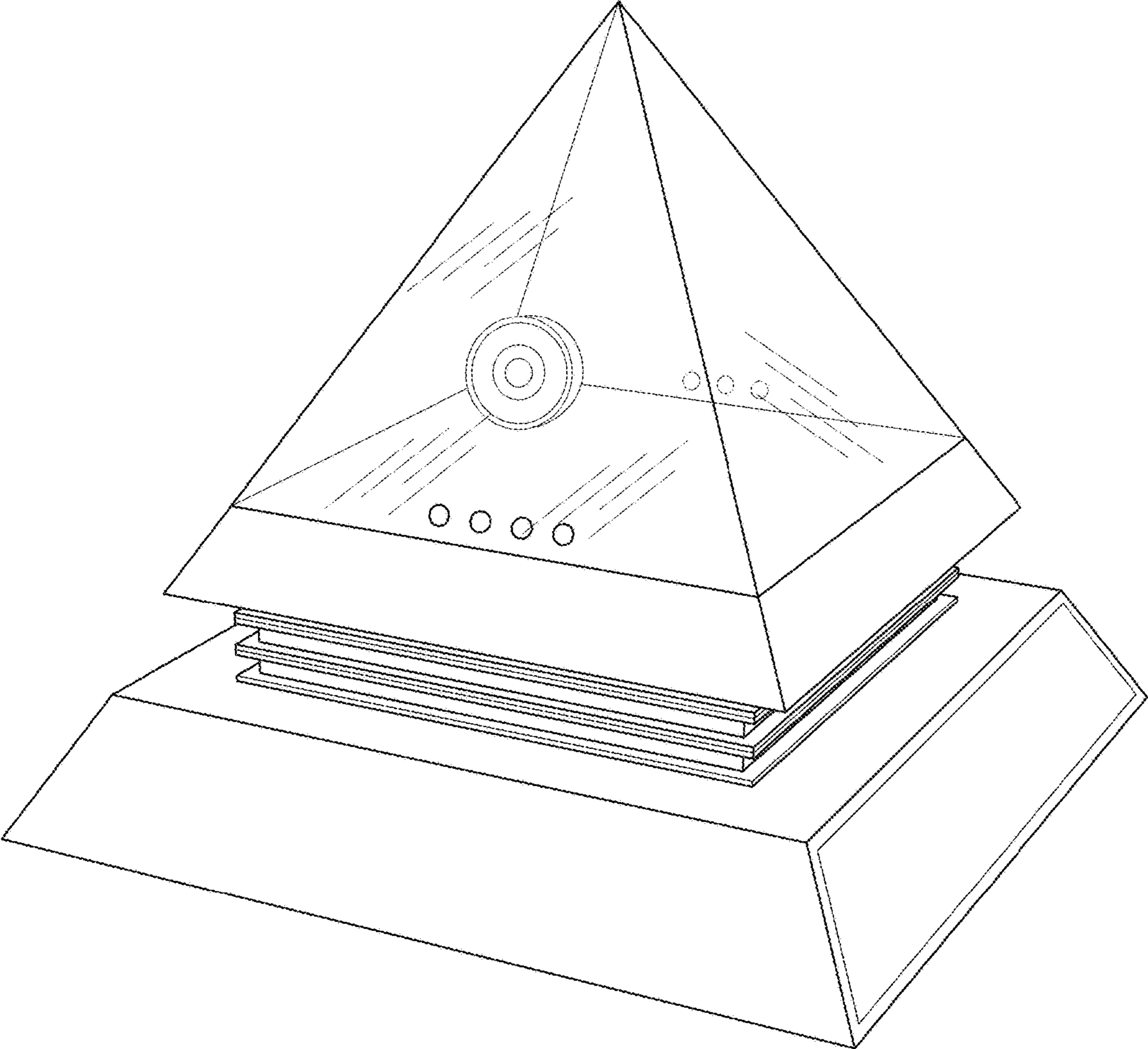


Fig. 1

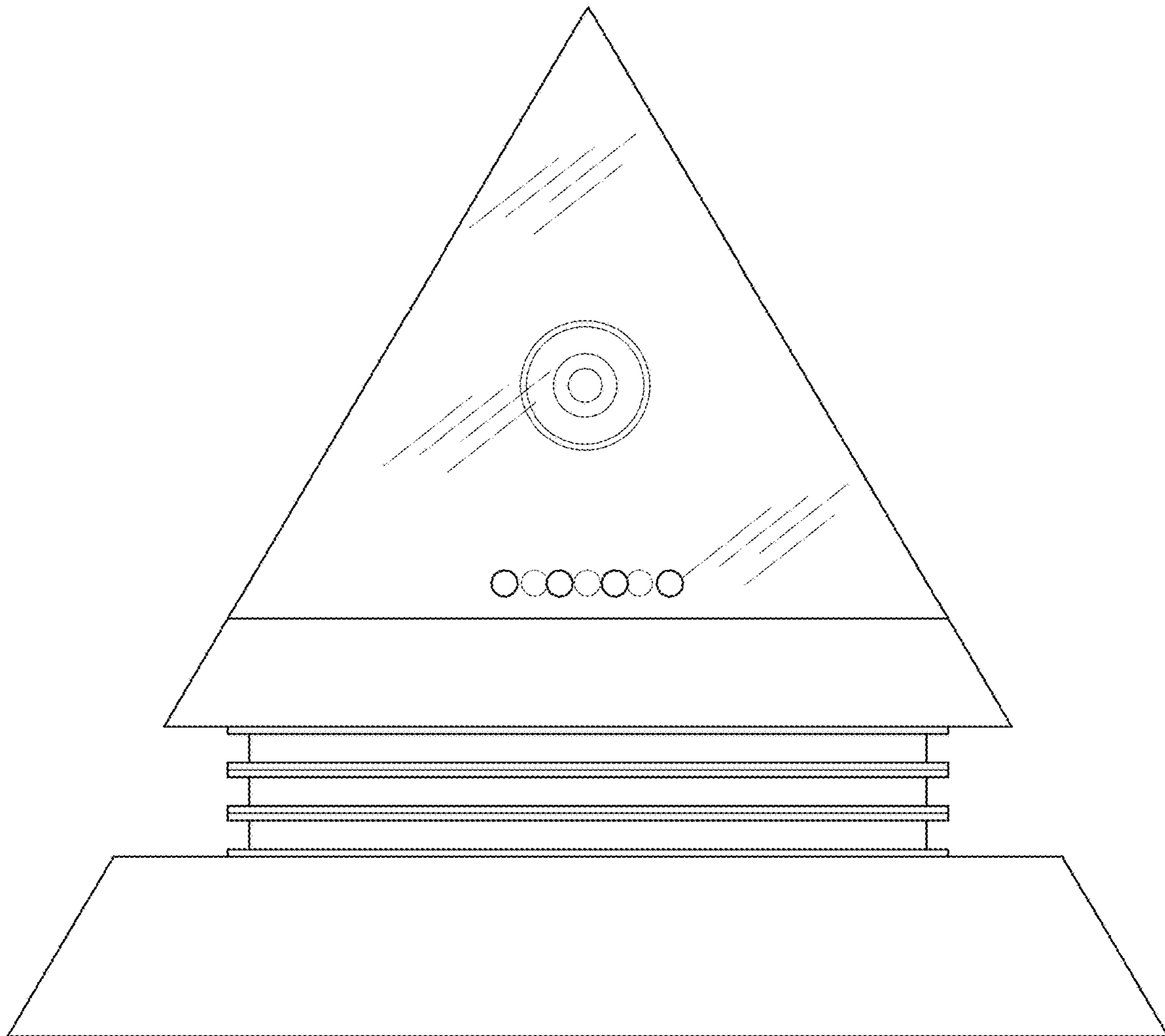


Fig. 2

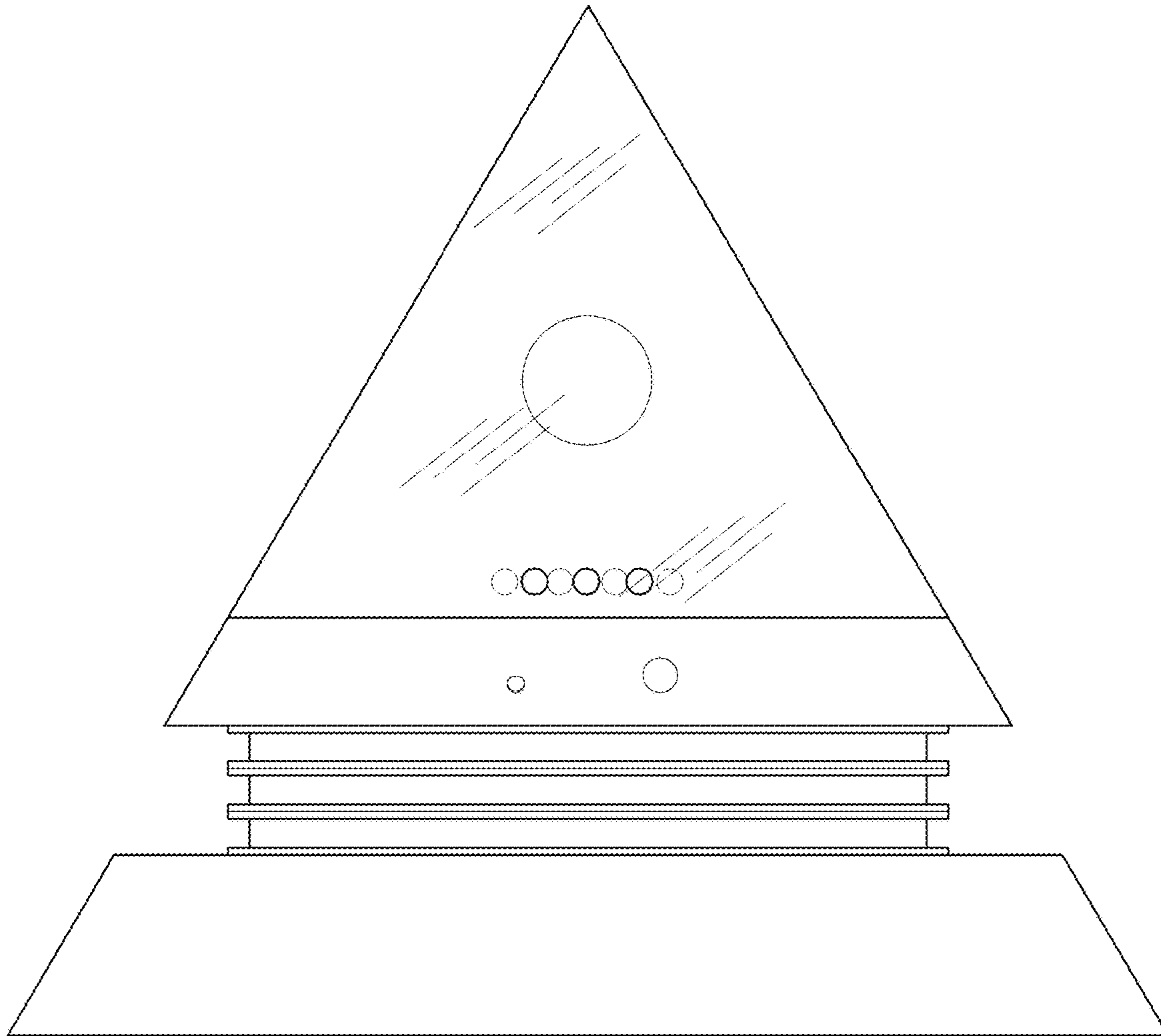


Fig. 3

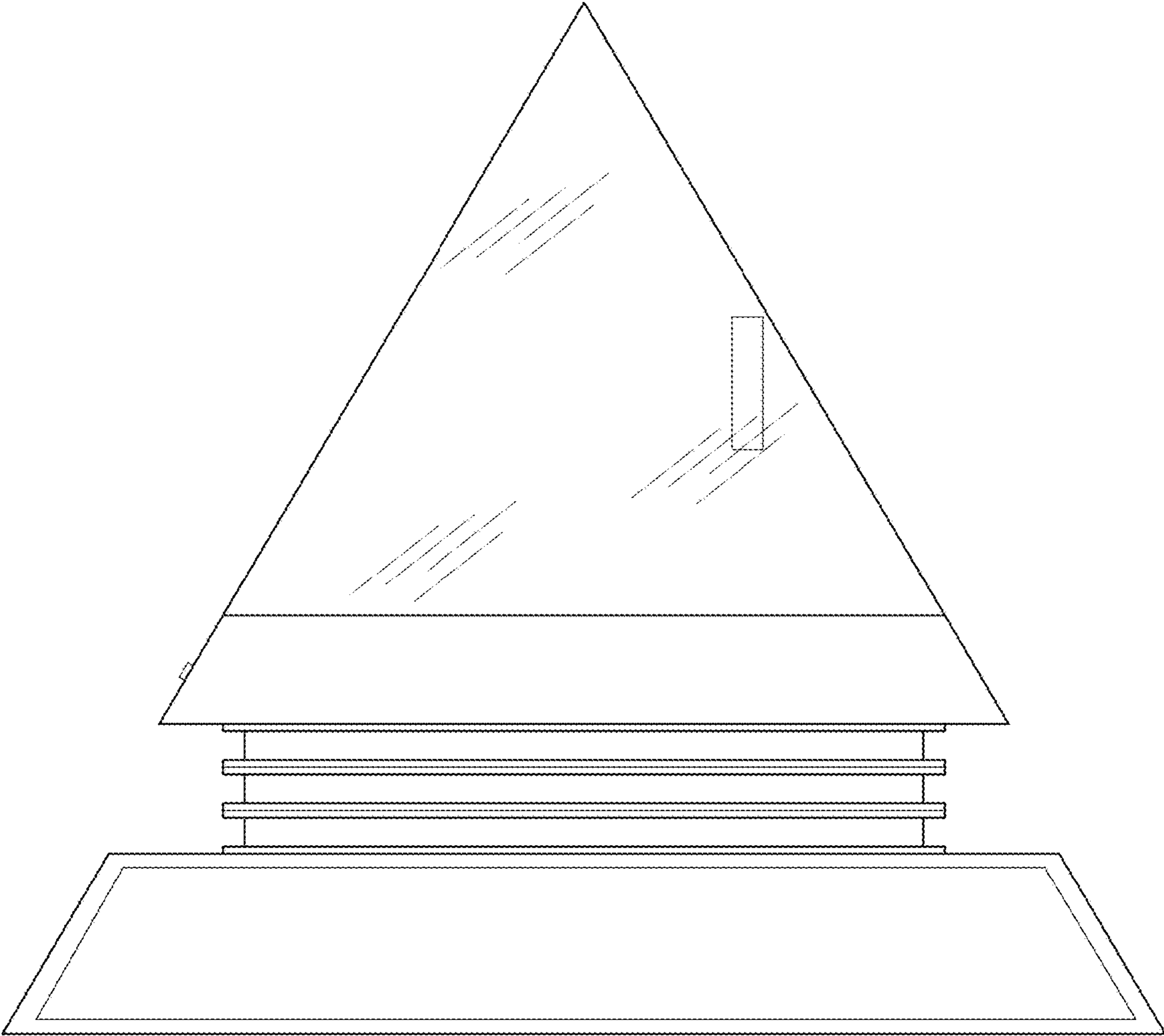


Fig. 4

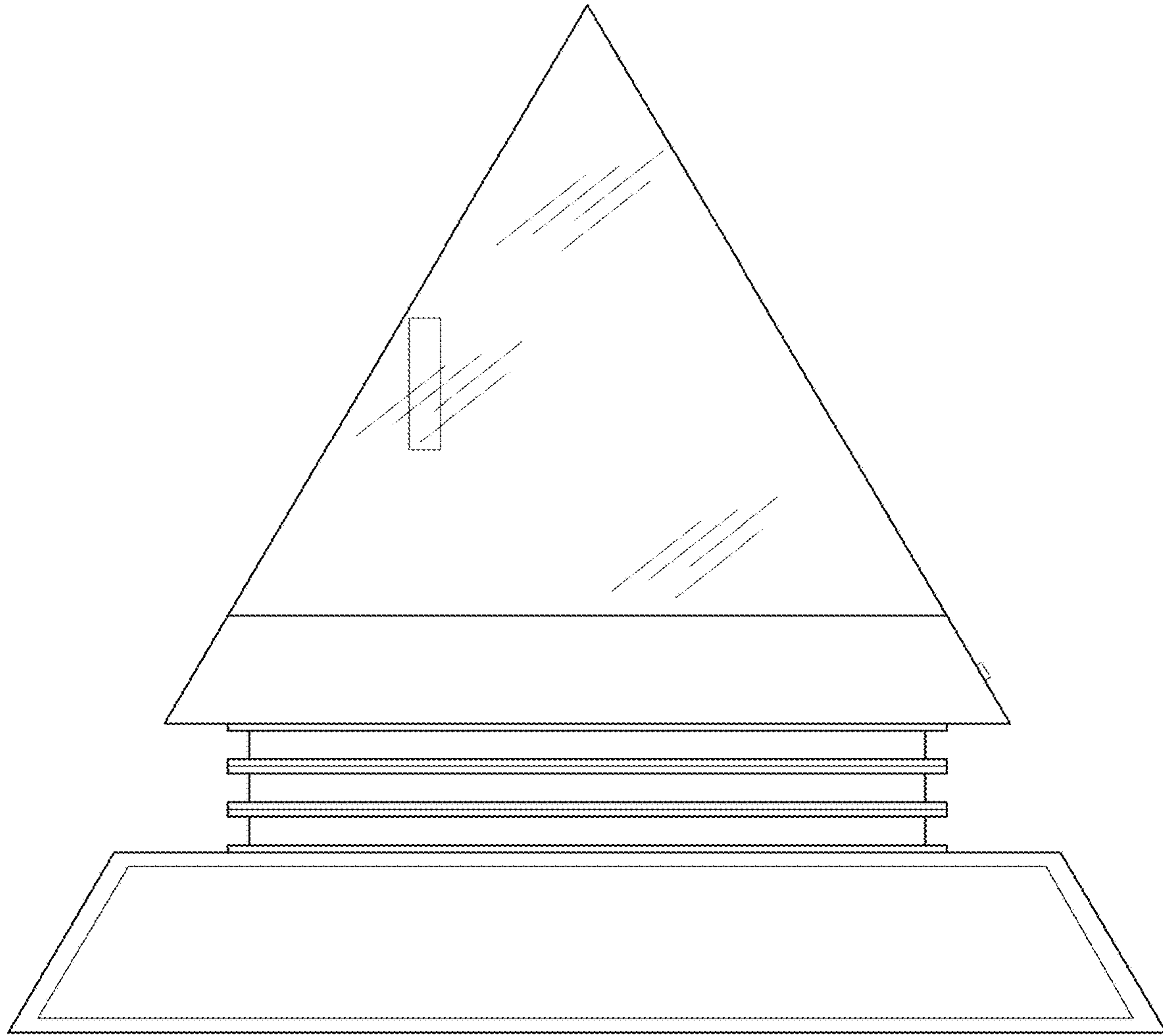


Fig. 5

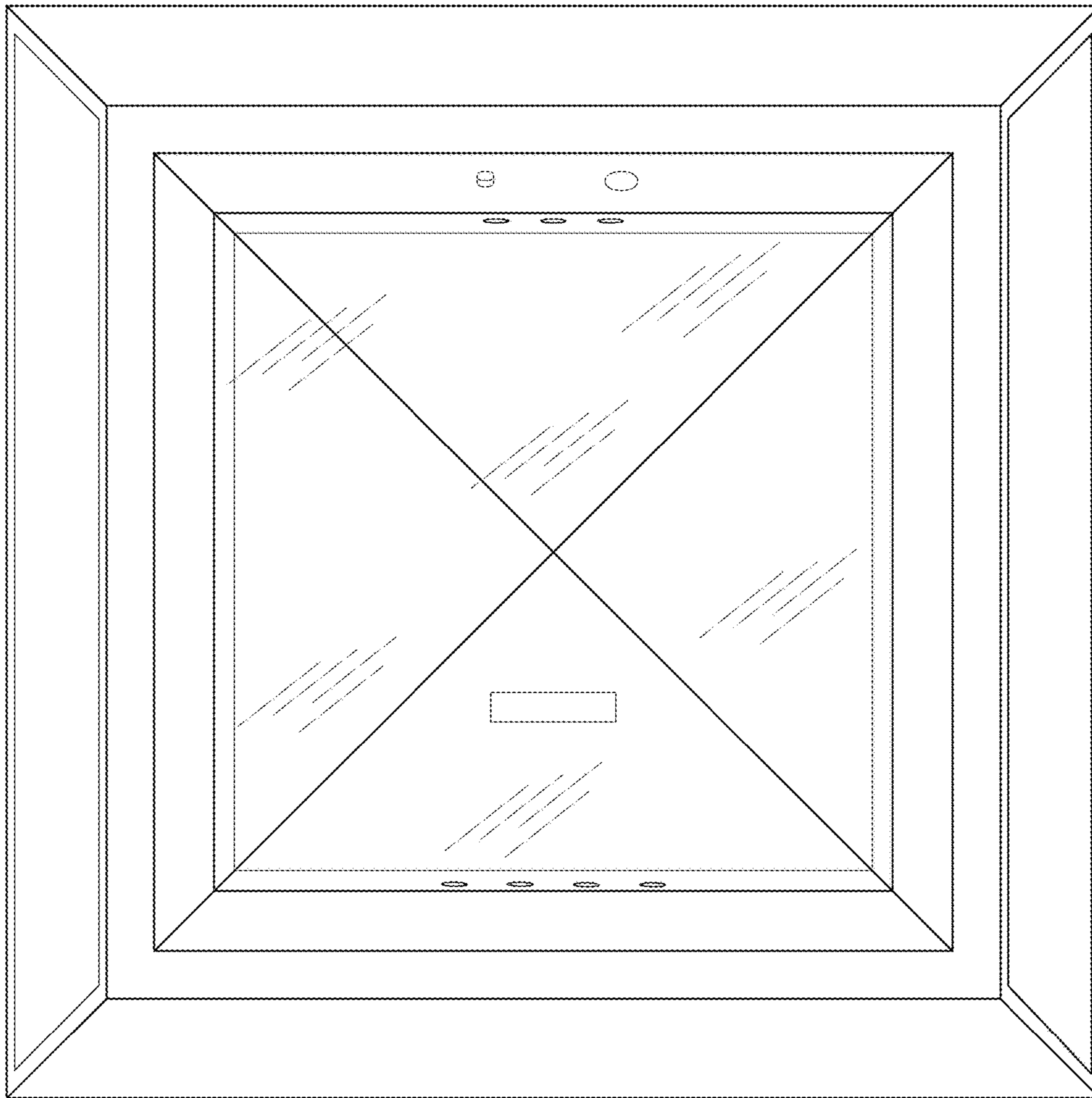


Fig. 6

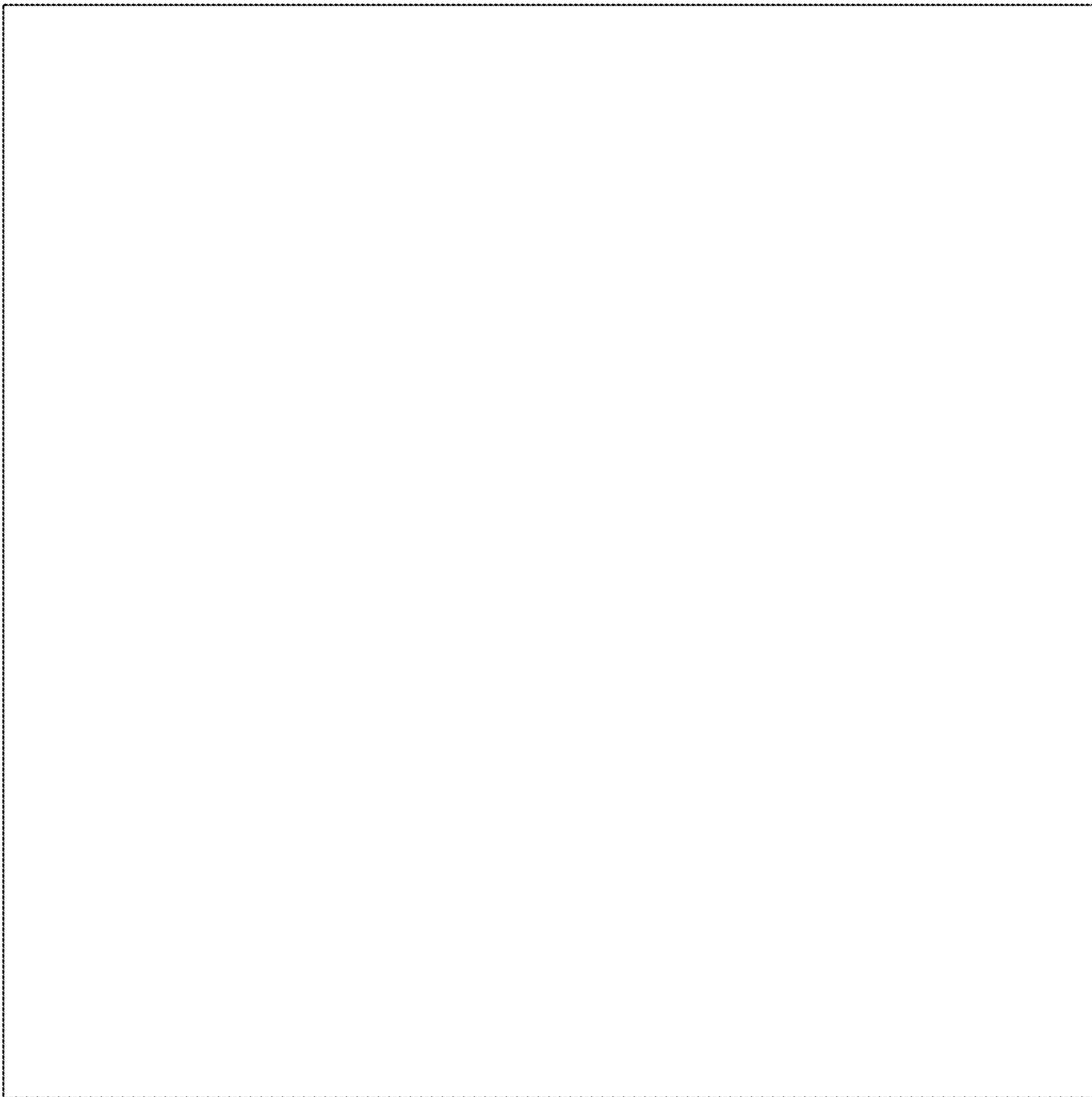


Fig. 7