



US00D865840S

(12) **United States Design Patent**  
**White**

(10) **Patent No.:** **US D865,840 S**

(45) **Date of Patent:** **\*\* Nov. 5, 2019**

(54) **MONITOR**

(71) Applicant: **Miku, Inc.**, Woodbridge, NJ (US)

(72) Inventor: **Eric Gregory White**, Tinton Falls, NJ (US)

(73) Assignee: **Miku, Inc.**, Woodbridge, NJ (US)

(\*\*) Term: **15 Years**

(21) Appl. No.: **29/632,149**

(22) Filed: **Jan. 5, 2018**

(51) **LOC (12) Cl.** ..... **16-01**

(52) **U.S. Cl.**  
USPC ..... **D16/203**

(58) **Field of Classification Search**  
USPC ..... D16/200, 202–206, 218, 219, 242;  
348/143, 148, 151, 373–376; 396/419,  
396/427, 535, 539–541  
CPC ..... G03B 17/02; G03B 19/04; G03B 17/56;  
G03B 17/04; G03B 15/03; H04N 5/2251;  
H04N 5/2252; H04N 5/2253; H04N  
5/2254; H04N 7/181; H04N 7/183; H04N  
7/18; G08B 13/1963; G08B 13/19619;  
G08B 13/19632; F16M 11/04; F16M  
13/00

See application file for complete search history.

(56) **References Cited**

**U.S. PATENT DOCUMENTS**

6,705,774 B2 \* 3/2004 Tashiro ..... G08B 13/19619  
348/143  
D534,938 S \* 1/2007 Beasley ..... D14/130

D627,815 S \* 11/2010 Oba ..... D16/202  
D643,056 S \* 8/2011 Zaliauskas ..... D16/202  
D649,573 S \* 11/2011 Al ..... D16/202  
D697,119 S \* 1/2014 Park ..... D16/202  
D721,754 S \* 1/2015 Chen ..... D16/202  
D733,781 S \* 7/2015 Chen ..... D16/202  
D743,467 S \* 11/2015 Bhattacharya ..... D16/203  
D746,350 S \* 12/2015 Li ..... D16/203  
D795,938 S \* 8/2017 Ravat ..... D16/202  
D804,561 S \* 12/2017 Luo ..... D16/202  
D849,077 S \* 5/2019 Tian ..... D16/202

\* cited by examiner

*Primary Examiner* — Ramzi S Almatrahi

(74) *Attorney, Agent, or Firm* — LaMorte & Associates,  
P.C.

(57) **CLAIM**

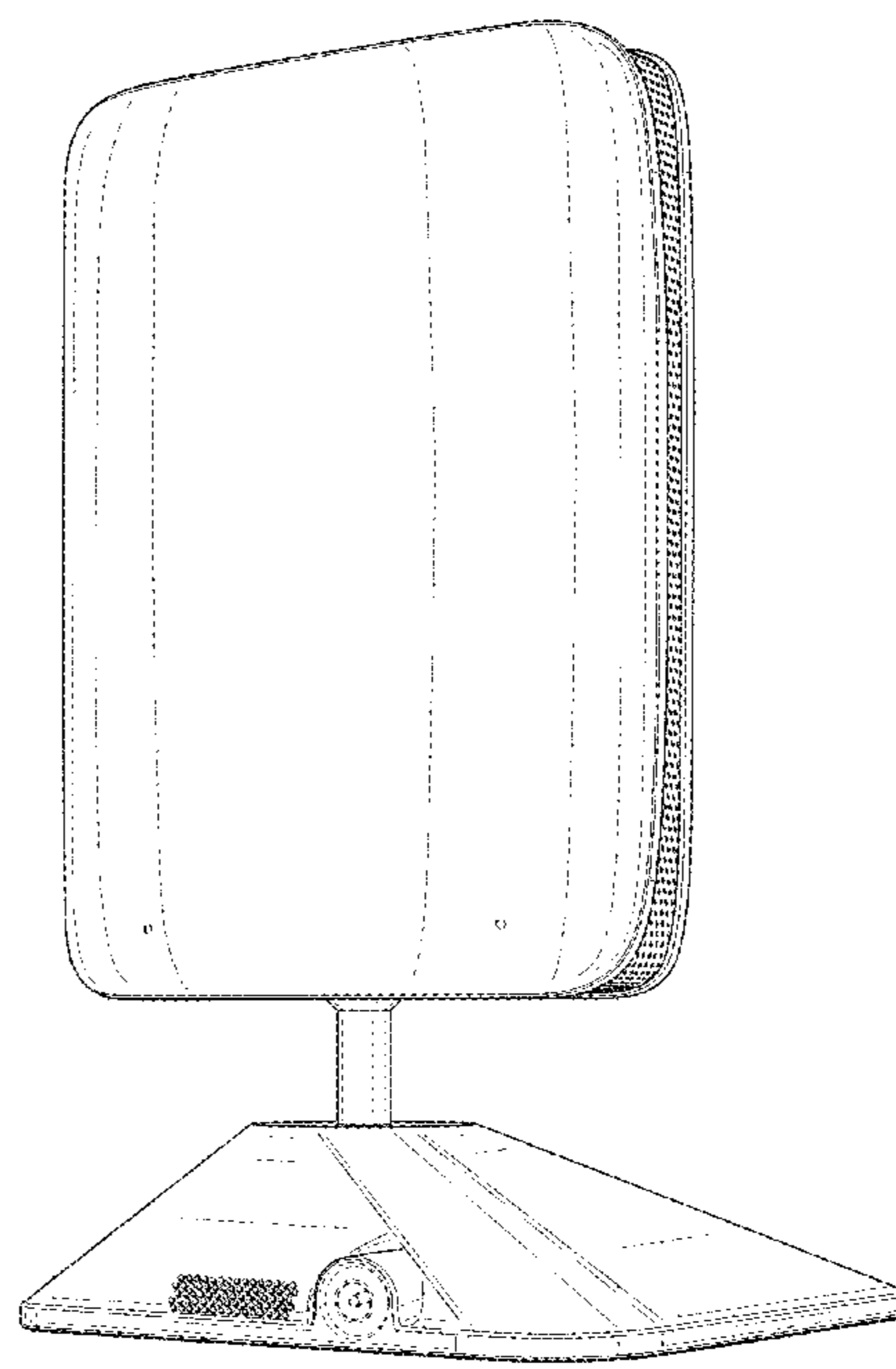
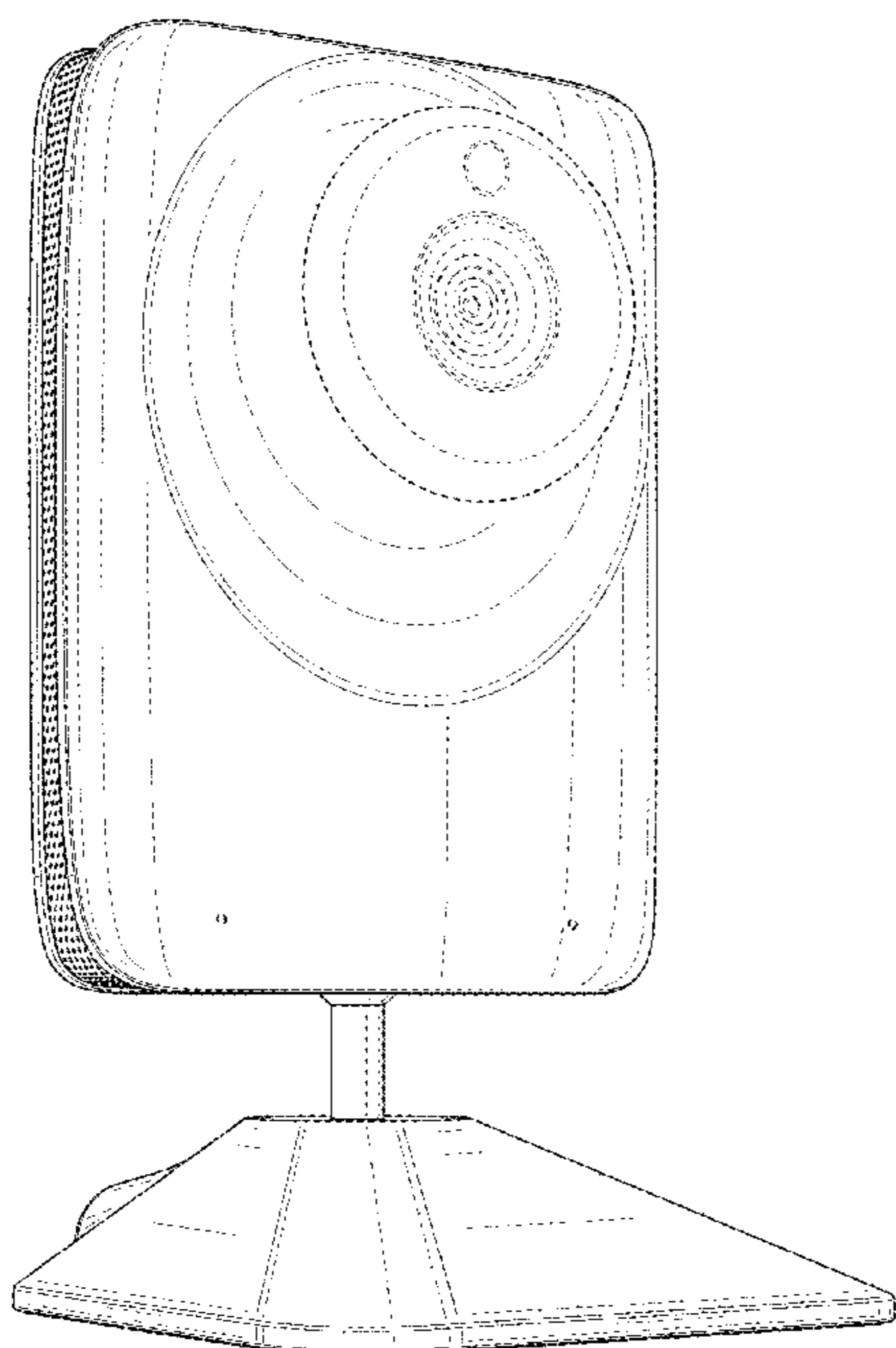
The ornamental design for a monitor, as shown and described.

**DESCRIPTION**

FIG. 1 is a front perspective view of a monitor;  
FIG. 2 is a front view of the monitor shown in FIG. 1;  
FIG. 3 is a back view of the monitor shown in FIG. 1;  
FIG. 4 is a side view of the monitor shown in FIG. 1;  
FIG. 5 is another side view of the monitor shown in FIG. 1;  
FIG. 6 is a top view of the monitor shown in FIG. 1;  
FIG. 7 is a bottom view of the monitor shown in FIG. 1; and,  
FIG. 8 is a back perspective view of the monitor shown in FIG. 1.

The broken lines depict portions of the monitor in which the design is embodied that form no part of the claimed design.

**1 Claim, 8 Drawing Sheets**



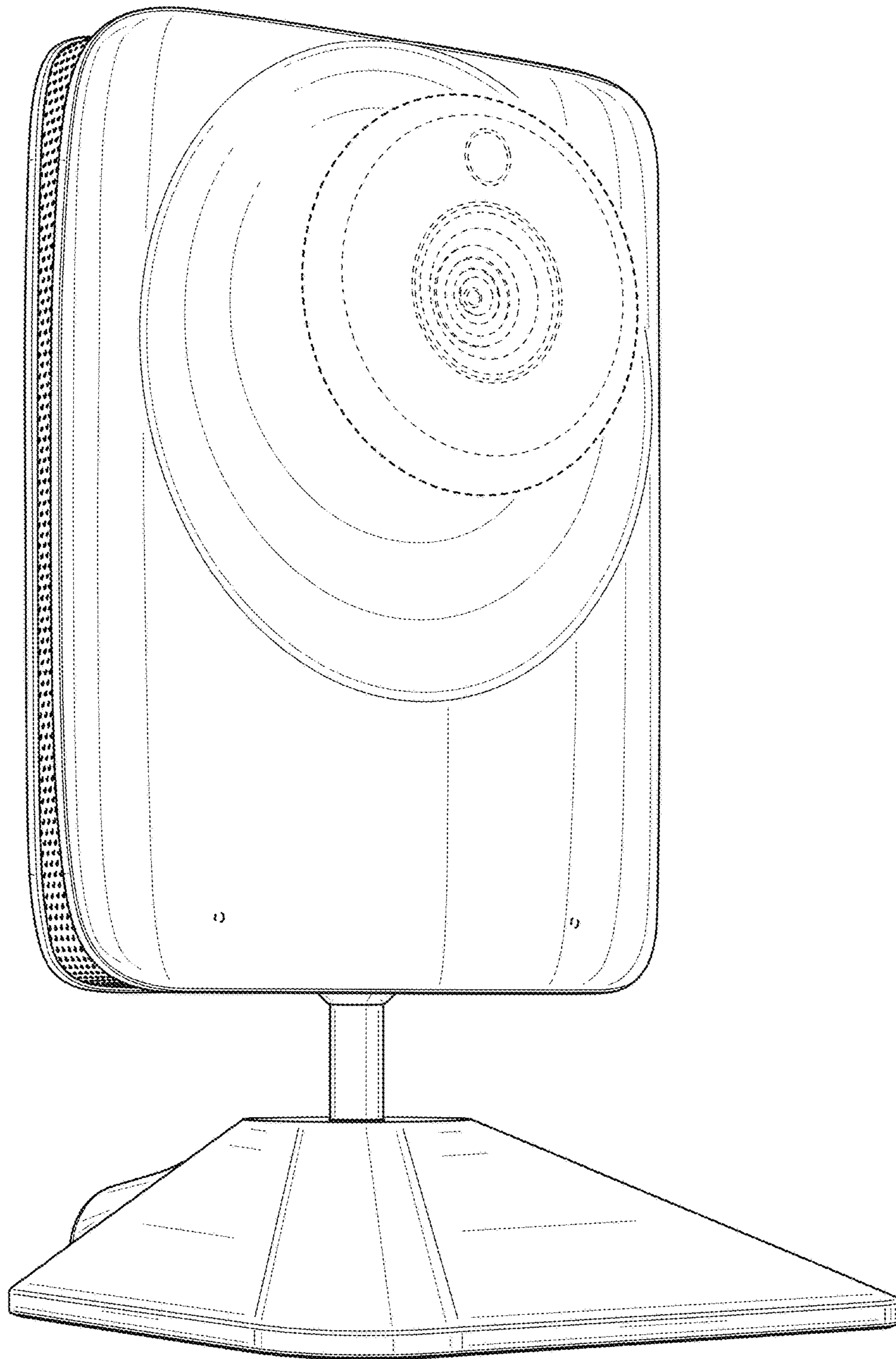


FIG. 1

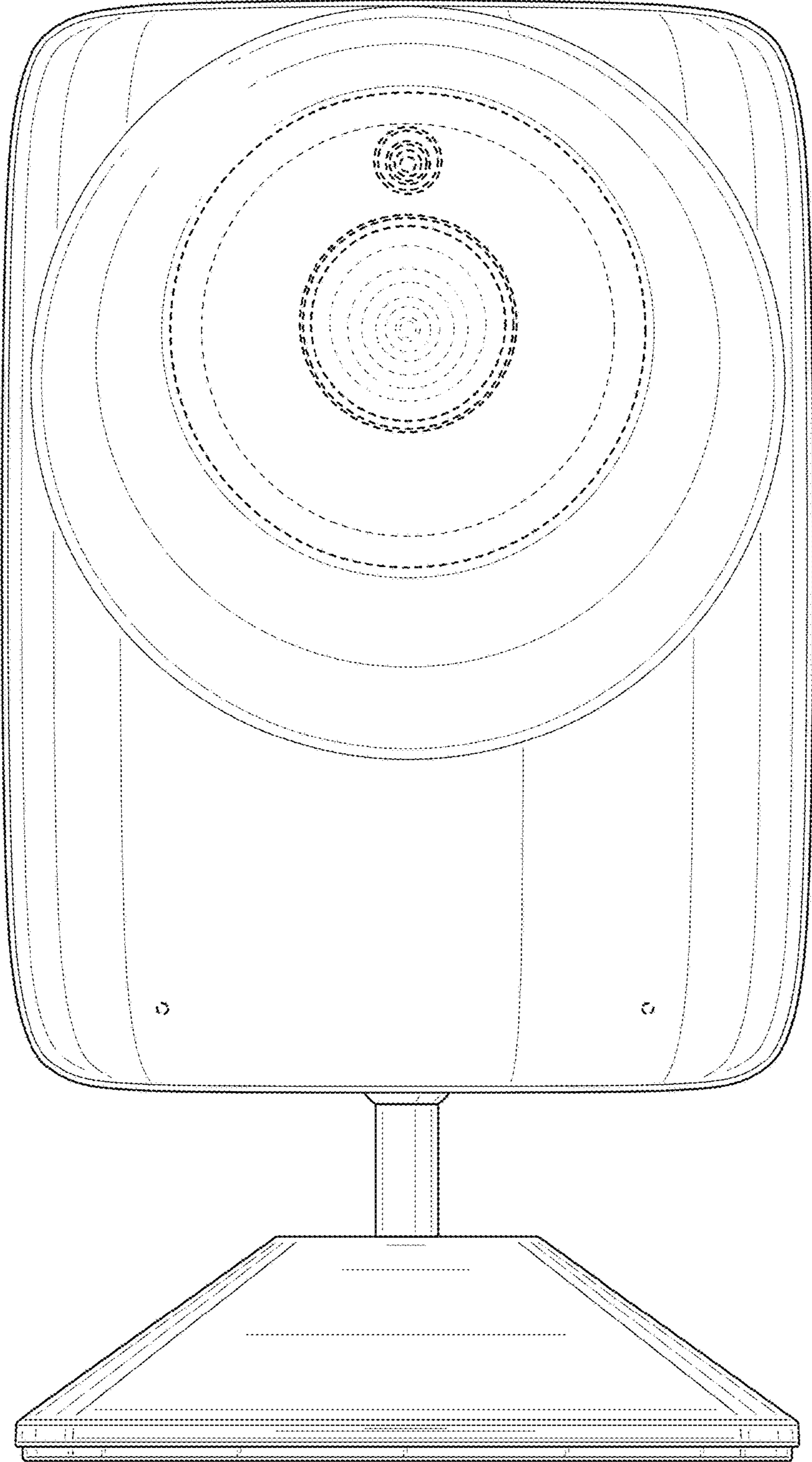


FIG. 2

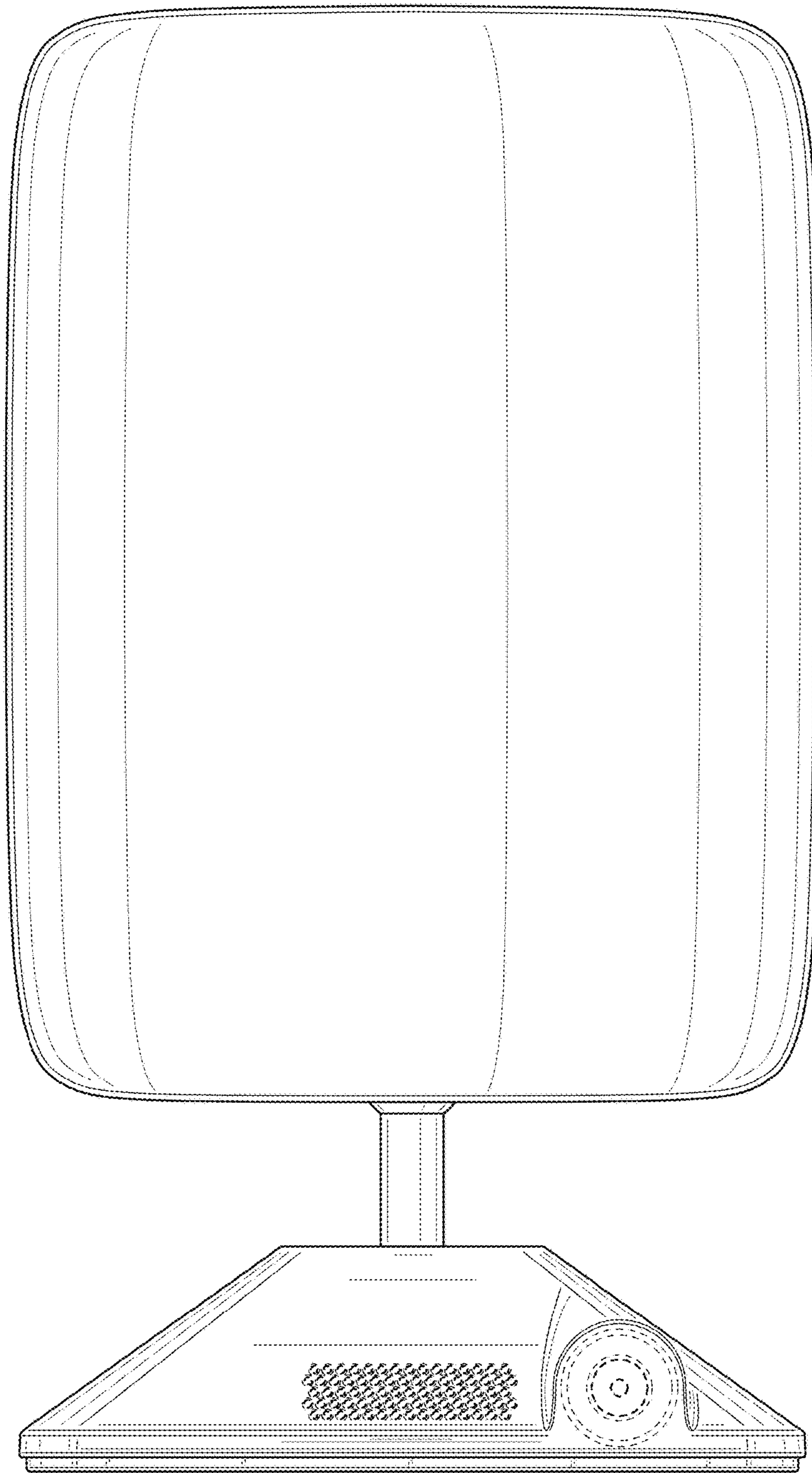


FIG. 3

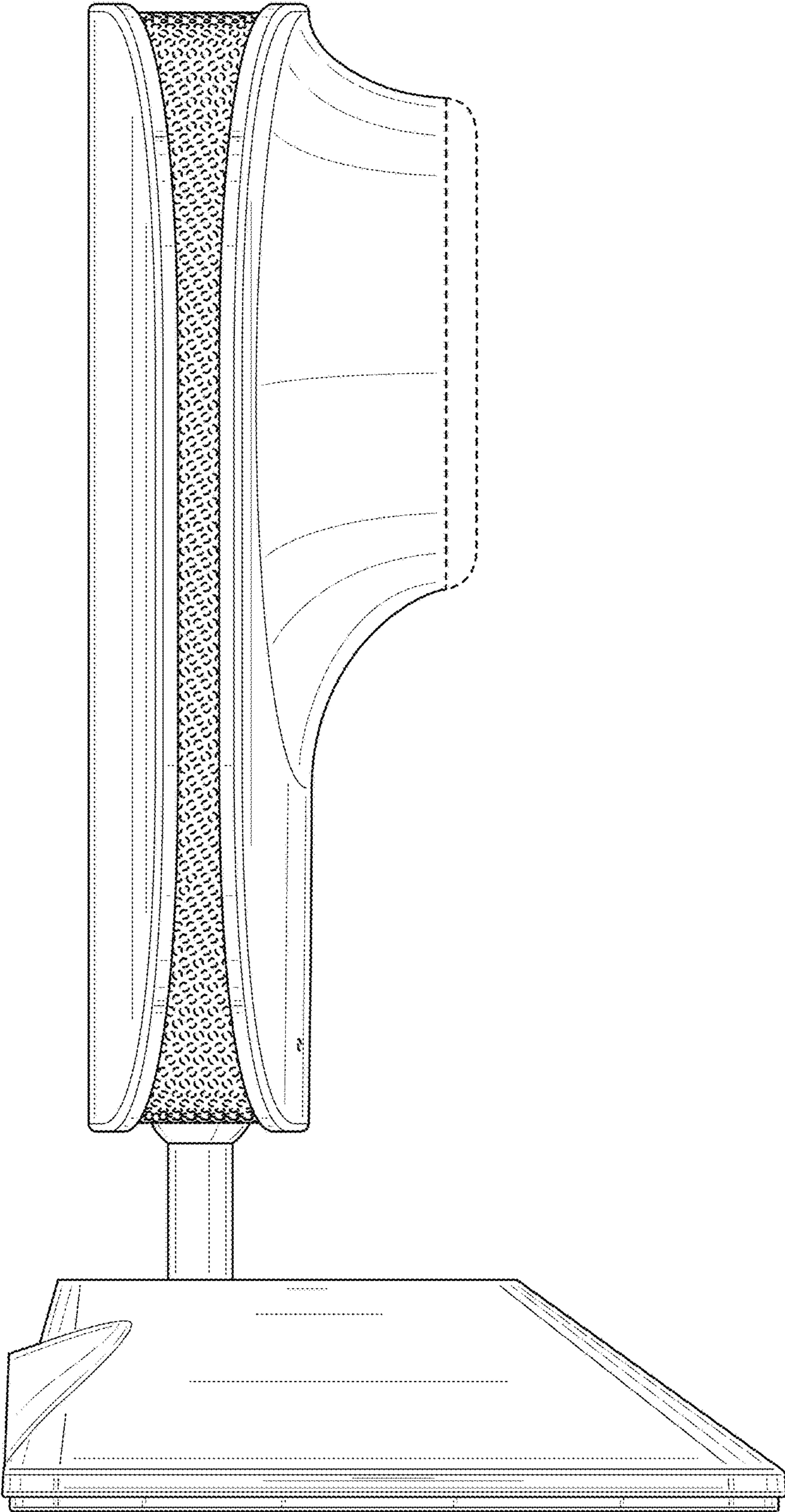


FIG. 4

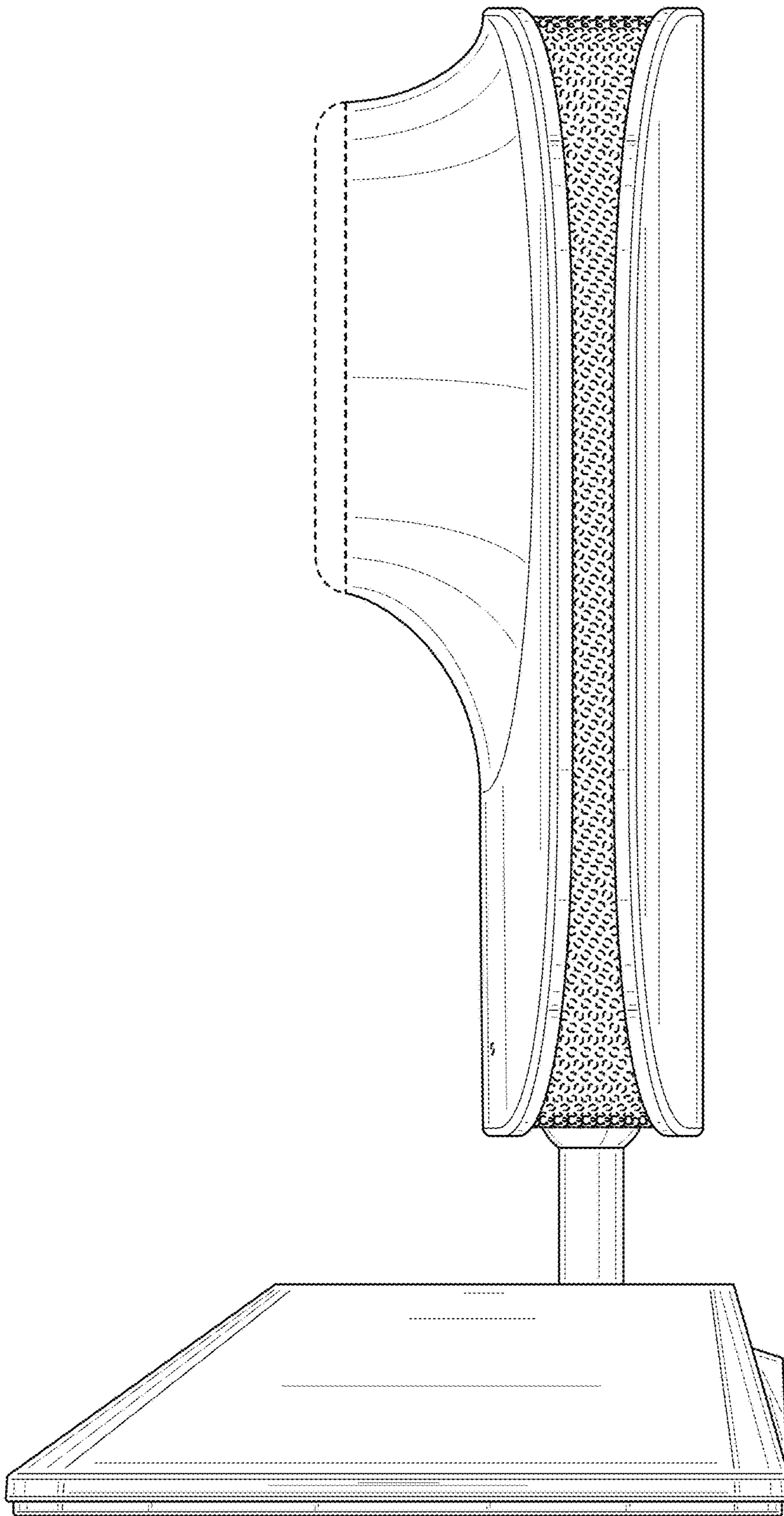


FIG. 5

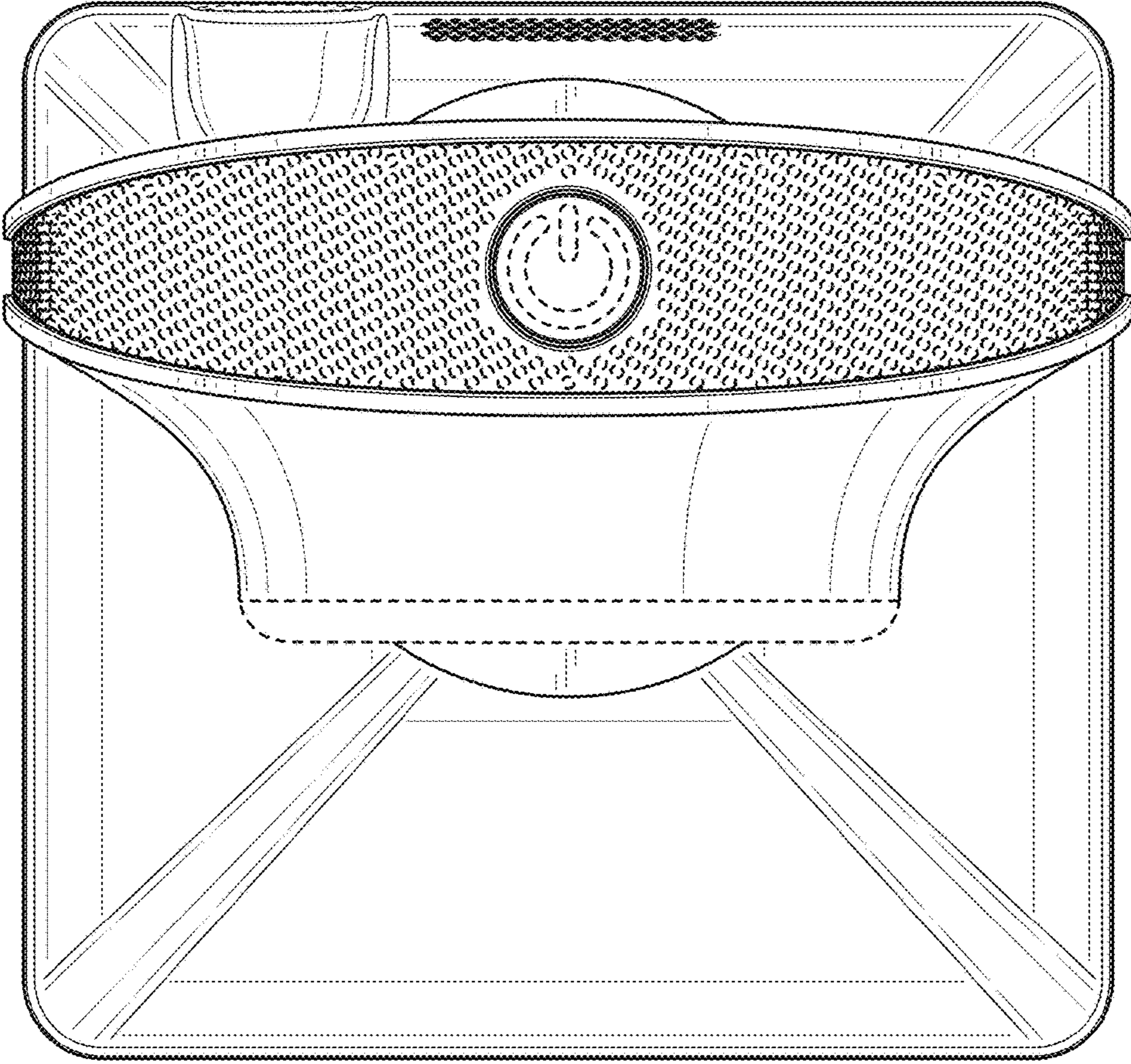


FIG. 6

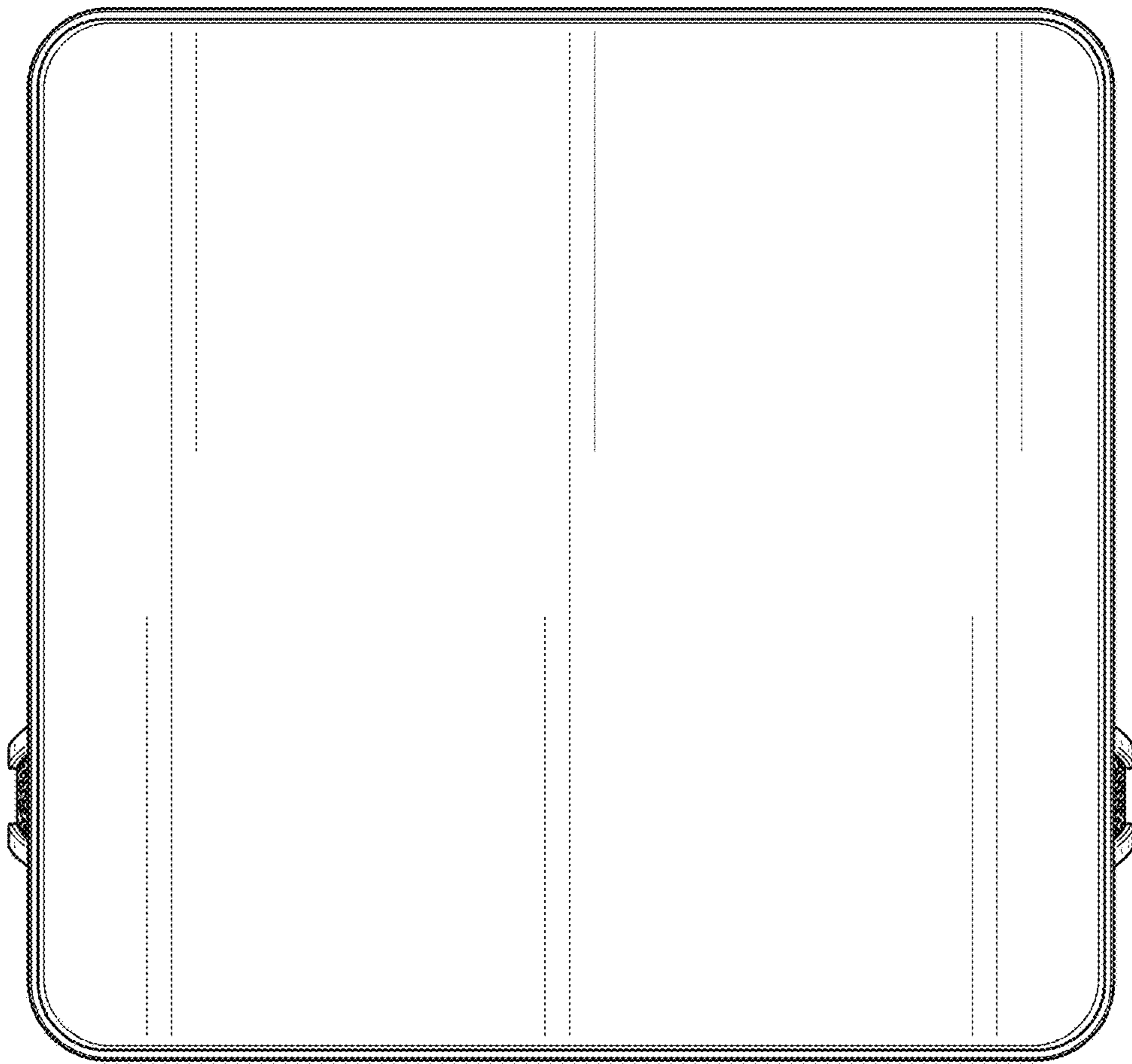


FIG. 7



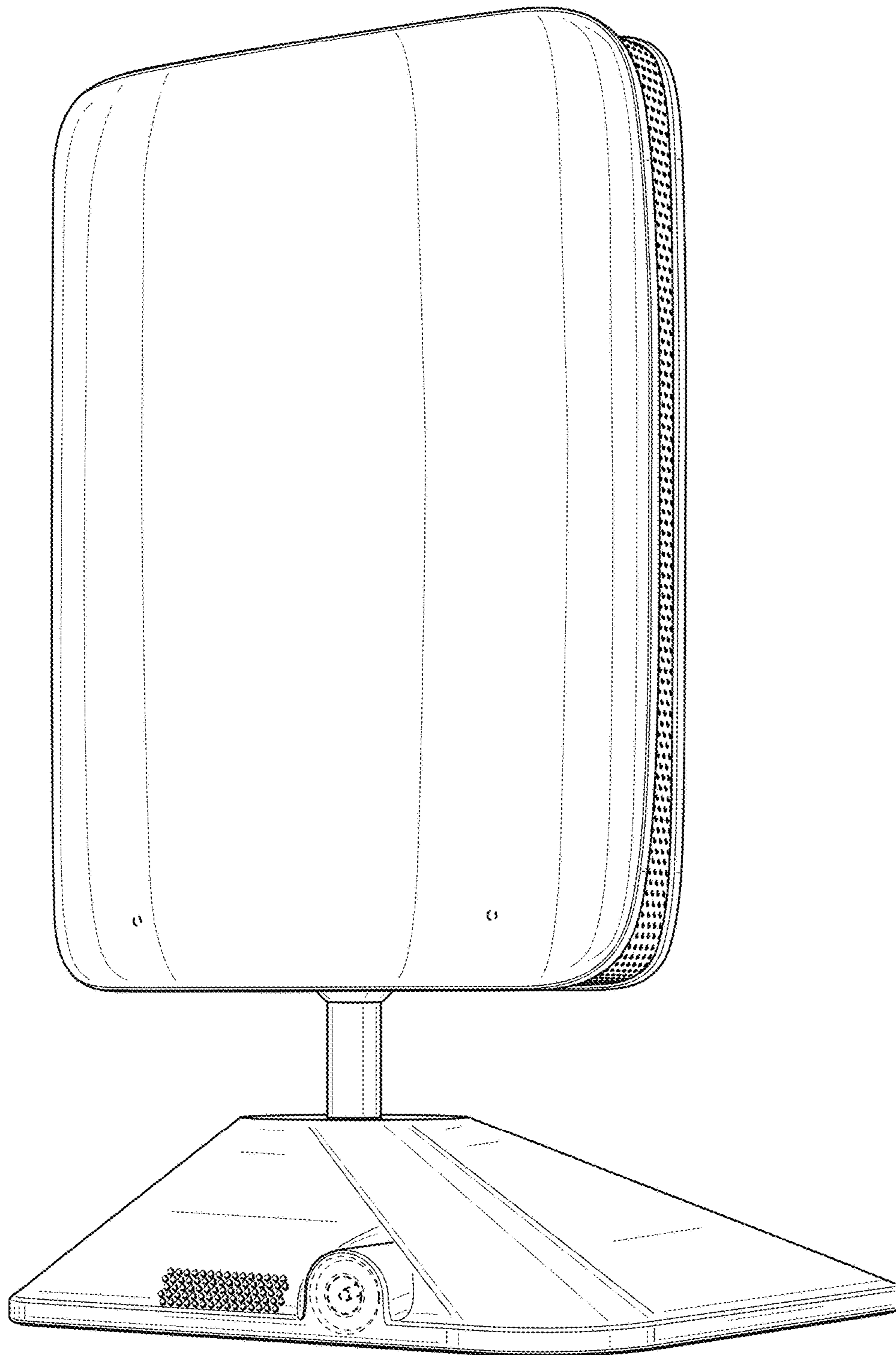


FIG. 8