



US00D865839S

(12) **United States Design Patent** (10) **Patent No.:** **US D865,839 S**
Hasegawa et al. (45) **Date of Patent:** **** Nov. 5, 2019**

(54) **MONITOR CAMERA**
(71) Applicant: **Panasonic Intellectual Property Management Co., Ltd.**, Osaka-shi, Osaka (JP)
(72) Inventors: **Takashi Hasegawa**, Kyoto (JP); **Atsushi Tani**, Kyoto (JP); **Toshiaki Sakamoto**, Tokyo (JP)
(73) Assignee: **Panasonic Intellectual Property Management Co., Ltd.**, Osaka (JP)

D629,031 S * 12/2010 Su D16/202
D641,388 S * 7/2011 Shih D16/202
D680,569 S * 4/2013 Lee D16/202
D712,952 S * 9/2014 Sumii D14/496
D744,573 S 12/2015 Matsumiya et al.
D745,586 S * 12/2015 Chou D16/202
D750,681 S * 3/2016 Takami D16/202
D775,679 S * 1/2017 Klein D16/202

(**) Term: **15 Years**
(21) Appl. No.: **29/622,418**
(22) Filed: **Oct. 17, 2017**
(51) **LOC (12) Cl.** **16-01**
(52) **U.S. Cl.**
USPC **D16/203**
(58) **Field of Classification Search**
USPC D16/200–204, 208, 218, 219;
D12/187–189, 400; 348/143, 148, 151,
348/360, 373–376; 396/419, 427–429,
396/433, 529, 535, 537–541; 340/932.2,
340/933, 937
CPC G03B 15/03; G03B 17/02; G03B 17/04;
G03B 17/48; G03B 17/56; G03B 19/04;
G08G 1/0175; H04N 5/2251; H04N
5/2252; H04N 5/2253; H04N 5/2254
See application file for complete search history.

FOREIGN PATENT DOCUMENTS

CN 301329532 8/2010
CN 301853888 3/2012
CN 303134281 10/2014

* cited by examiner

Primary Examiner — Ramzi S Almatrahi
(74) *Attorney, Agent, or Firm* — Brinks Gilson & Lione

(57) **CLAIM**

We claim the ornamental design for a monitor camera, as shown and described.

DESCRIPTION

FIG. 1 is a front perspective view of a monitor camera of the present invention;
FIG. 2 is a front view thereof;
FIG. 3 is a rear view thereof;
FIG. 4 is a first side view thereof;
FIG. 5 is a second side view thereof;
FIG. 6 is a top view thereof; and,
FIG. 7 is a bottom view thereof.
The broken lines depict portions of the monitor camera in which the design is embodied that form no part of the claimed design. Additionally, the dash-dot lines denote the boundary of the claim and form no part of the claimed design.

(56) **References Cited**
U.S. PATENT DOCUMENTS
D441,000 S * 4/2001 Vanderwilt D16/202
D550,266 S * 9/2007 Lau D16/202
D600,730 S * 9/2009 Su D16/202

1 Claim, 7 Drawing Sheets

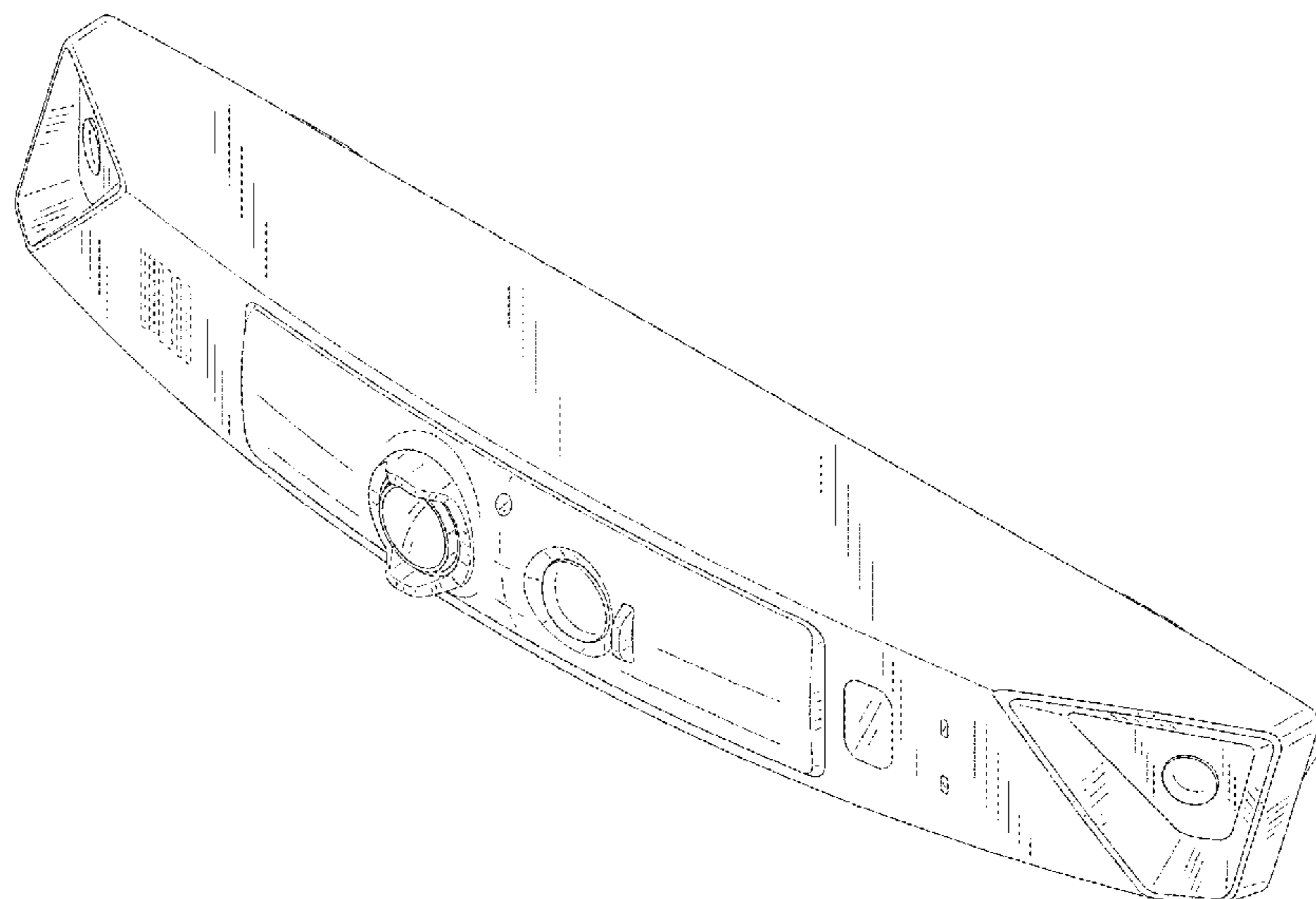


FIG. 1

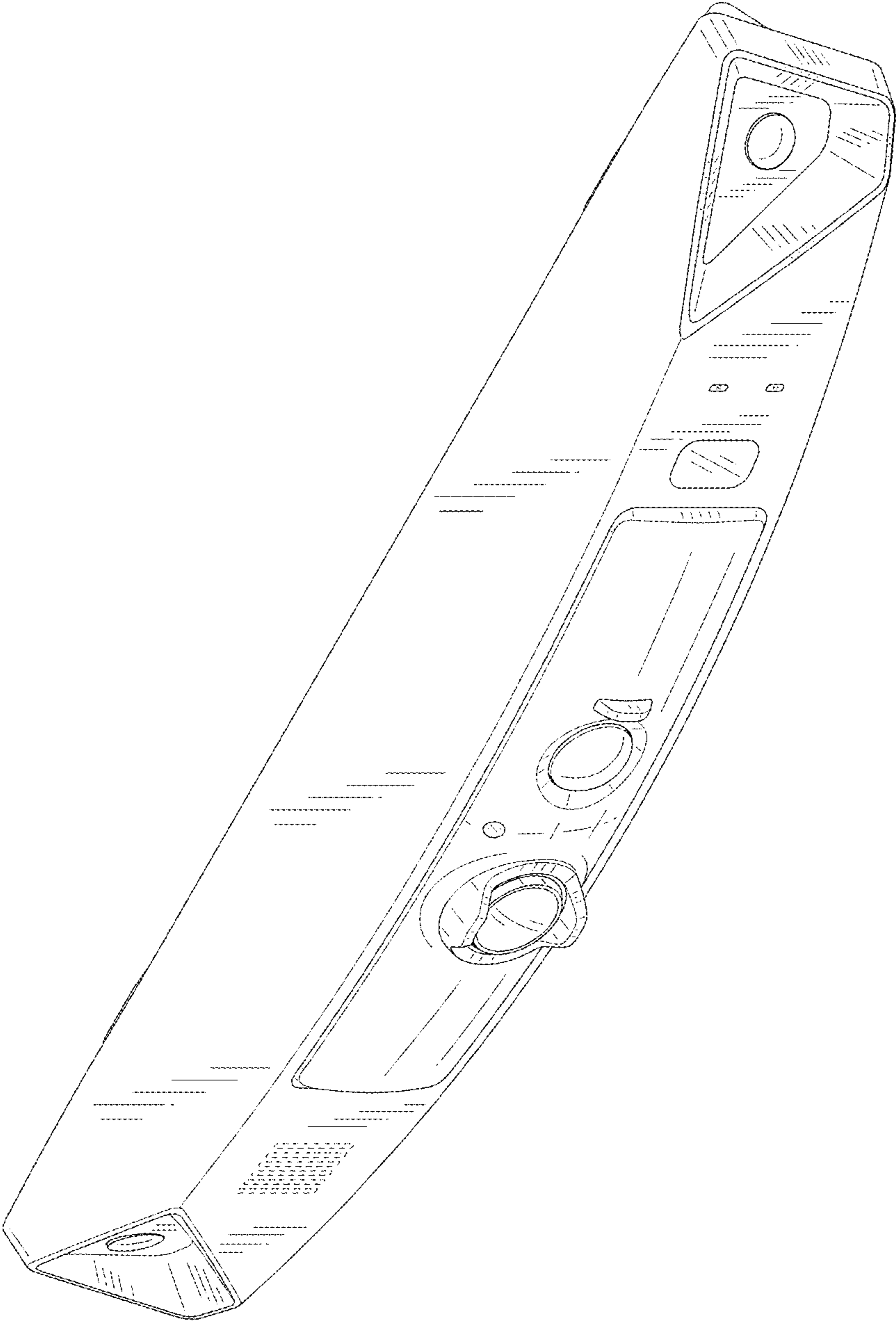


FIG. 2

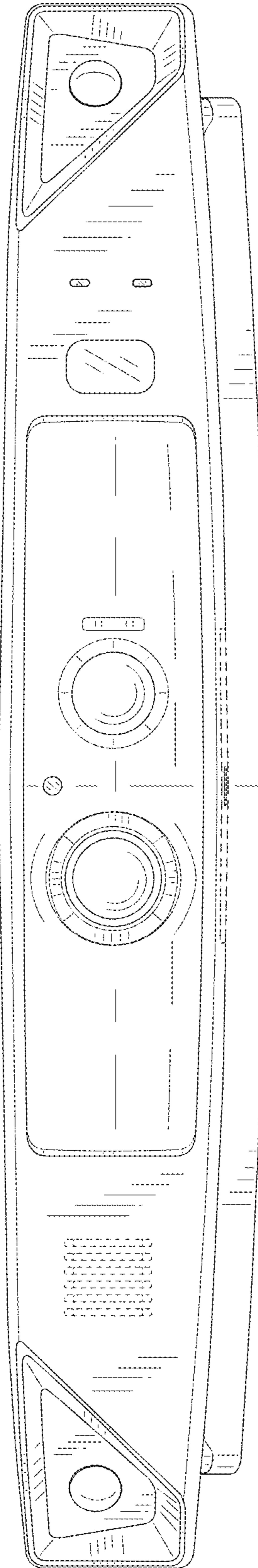


FIG. 3

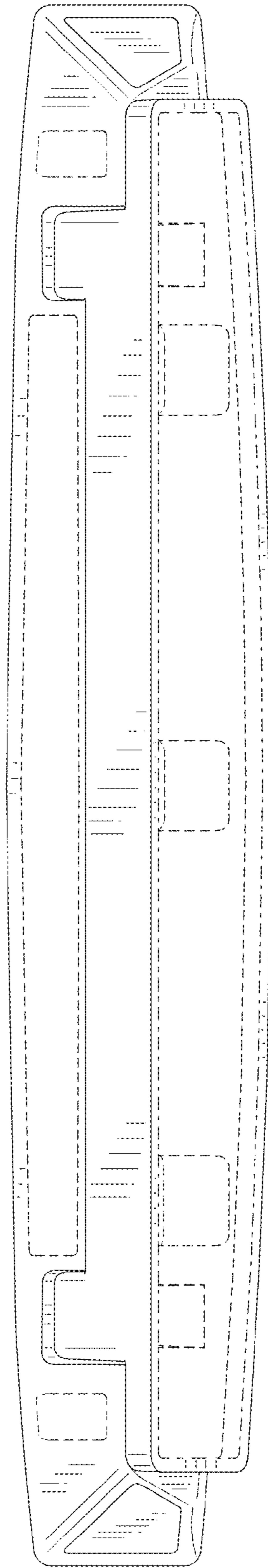


FIG. 4

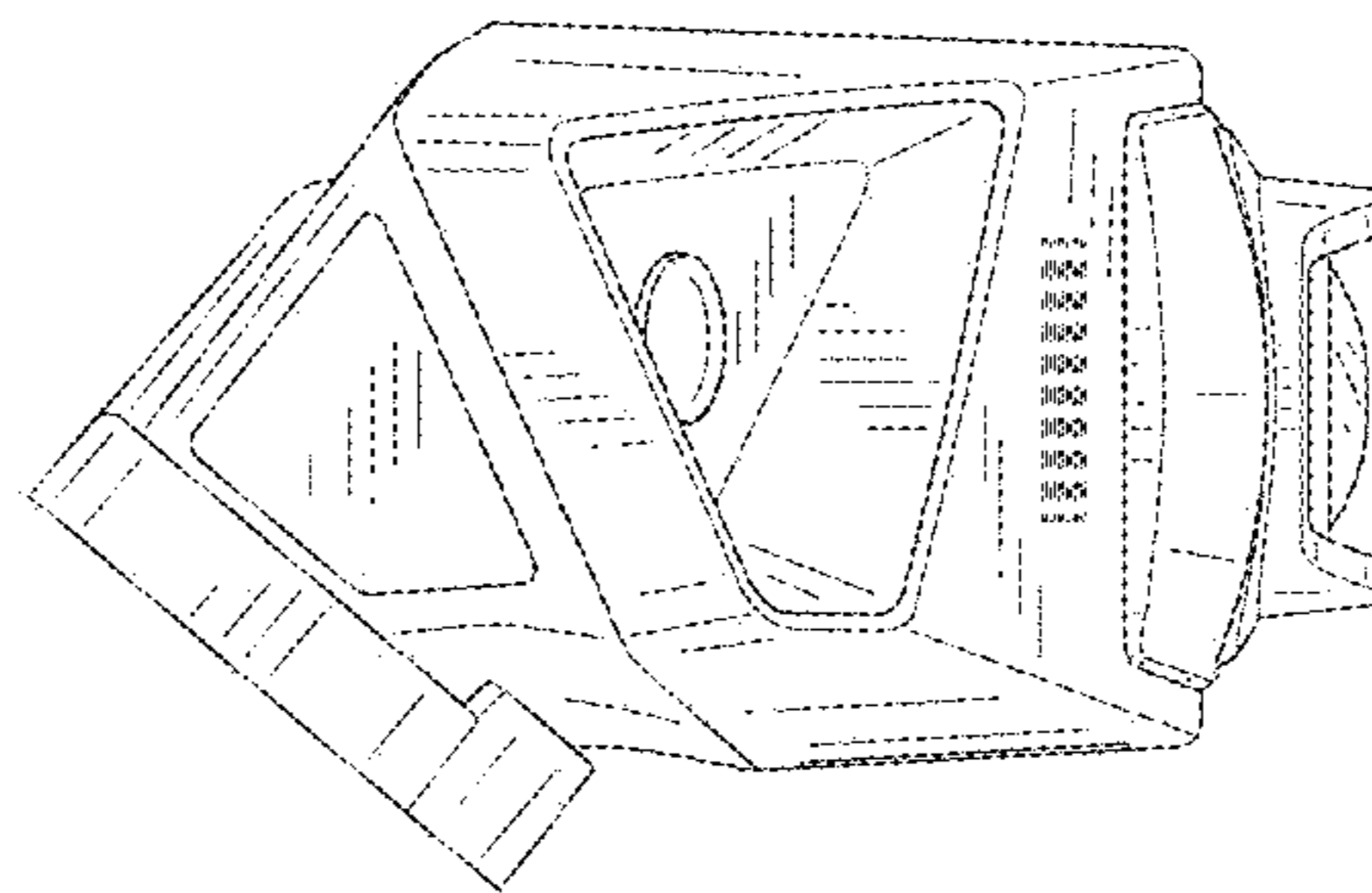


FIG. 5

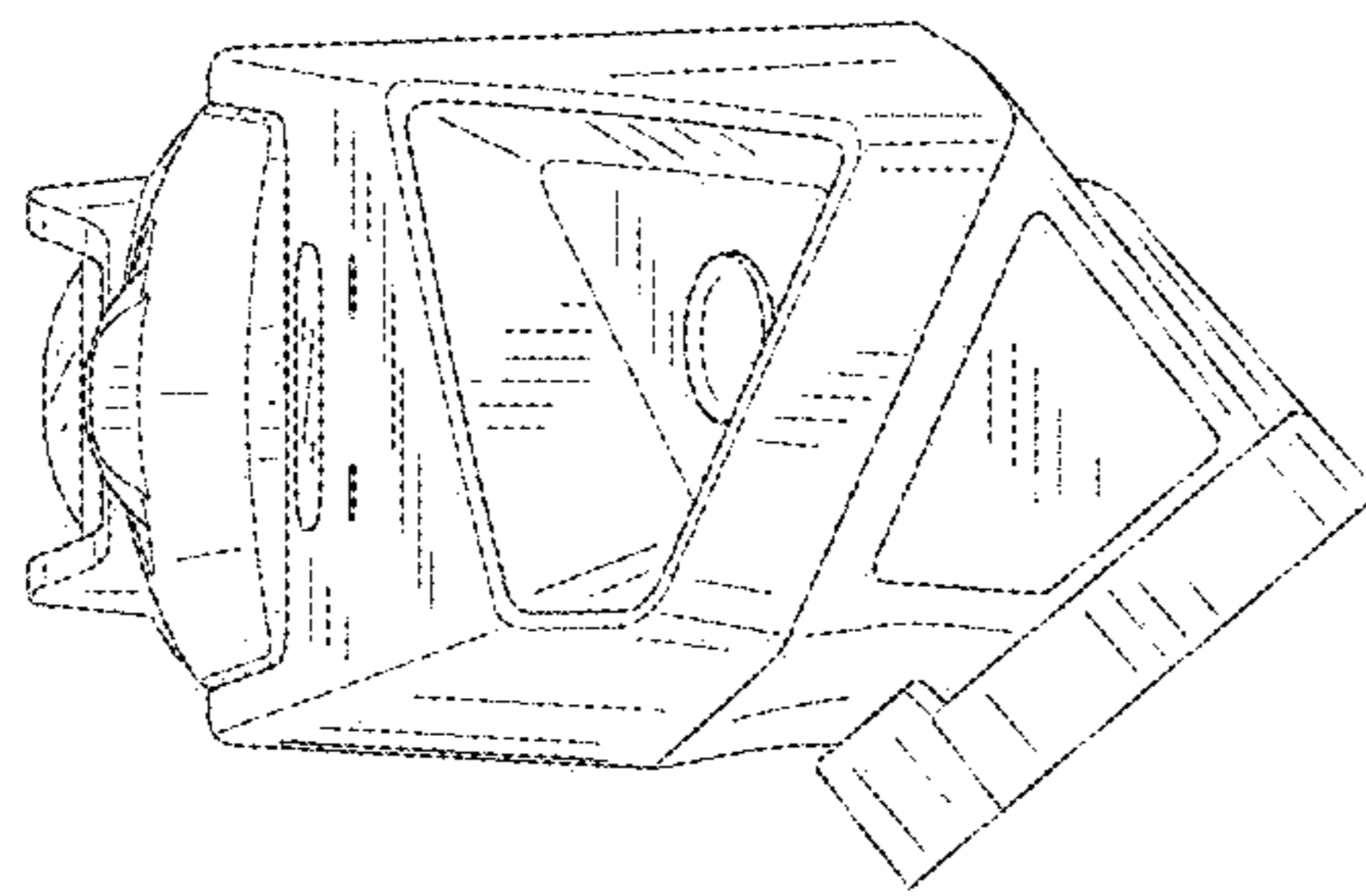


FIG. 6

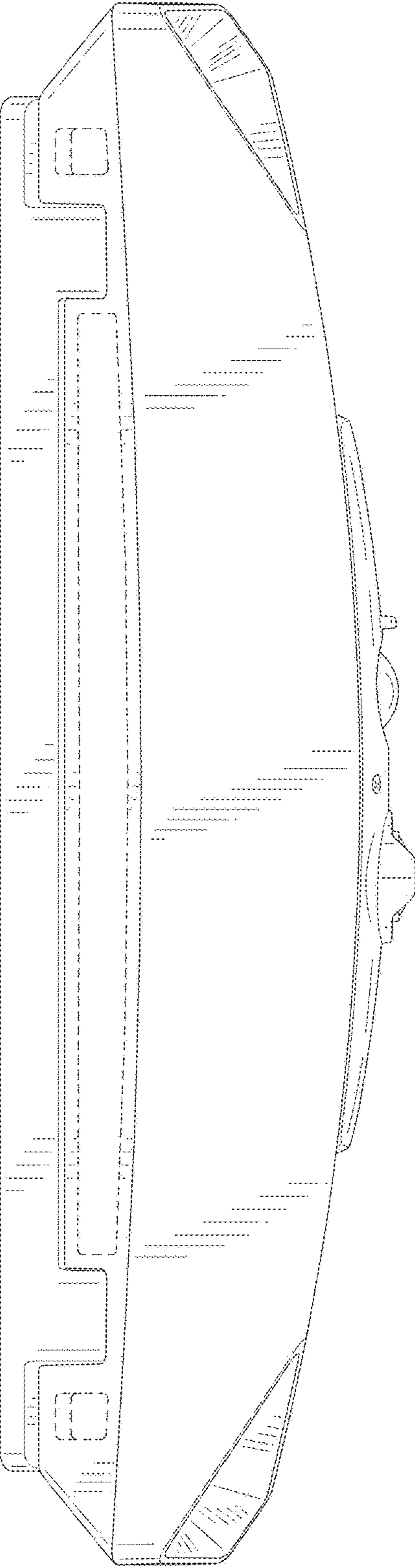


FIG. 7

