



US00D865837S

(12) **United States Design Patent** (10) **Patent No.:** **US D865,837 S**  
**Hasegawa et al.** (45) **Date of Patent:** **\*\* Nov. 5, 2019**

(54) **NETWORK CAMERA**

D833,504 S \* 11/2018 Leiponis ..... D16/214  
D840,461 S \* 2/2019 Bartram ..... D16/214  
D849,079 S \* 5/2019 Pickett ..... D16/202

(71) Applicant: **Panasonic Intellectual Property Management Co., Ltd.**, Osaka-shi, Osaka (JP)

(Continued)

FOREIGN PATENT DOCUMENTS

(72) Inventors: **Takashi Hasegawa**, Kyoto (JP);  
**Toshiaki Sakamoto**, Tokyo (JP)

CN 300952178 7/2009  
CN 303208172 5/2015

(Continued)

(73) Assignee: **Panasonic Intellectual Property Management Co., Ltd.**, Osaka (JP)

OTHER PUBLICATIONS

(\*\*) Term: **15 Years**

Cocooncam, "Cocoon Cam", <https://clarity.cocooncam.com/>, pp. 1-3, 2018.

(21) Appl. No.: **29/664,714**

(22) Filed: **Sep. 27, 2018**

*Primary Examiner* — Ramzi S Almatrahi

(51) **LOC (12) Cl.** ..... **16-01**

(74) *Attorney, Agent, or Firm* — Brinks Gilson & Lione

(52) **U.S. Cl.**

(57) **CLAIM**

USPC ..... **D16/202**; D16/214

We claim the ornamental design for a network camera, as shown and described.

(58) **Field of Classification Search**

**DESCRIPTION**

USPC ..... D16/200, 202–206, 212, 214–216, 218, D16/219, 227, 229, 235, 239, 240, 242, D16/244; D25/16; 52/27.5, 29, 36.1; 348/373–376; 396/2, 3, 5, 419, 424, 427, 396/429, 535, 539–541; 455/575.3  
CPC ..... G03B 15/00; G03B 15/03; G03B 15/06; G03B 17/02; G03B 17/04; G03B 17/53; G03B 17/56; G03B 19/04; H04N 5/2251; H04N 5/2252; H04N 5/2253; H04N 5/2254; H04N 2101/00

See application file for complete search history.

FIG. 1 is a perspective view of a network camera of the present invention;  
FIG. 2 is a front view thereof;  
FIG. 3 is a top view thereof;  
FIG. 4 is a bottom view thereof;  
FIG. 5 is a first side view thereof  
FIG. 6 is a second side view thereof; and,  
FIG. 7 is a rear view thereof.

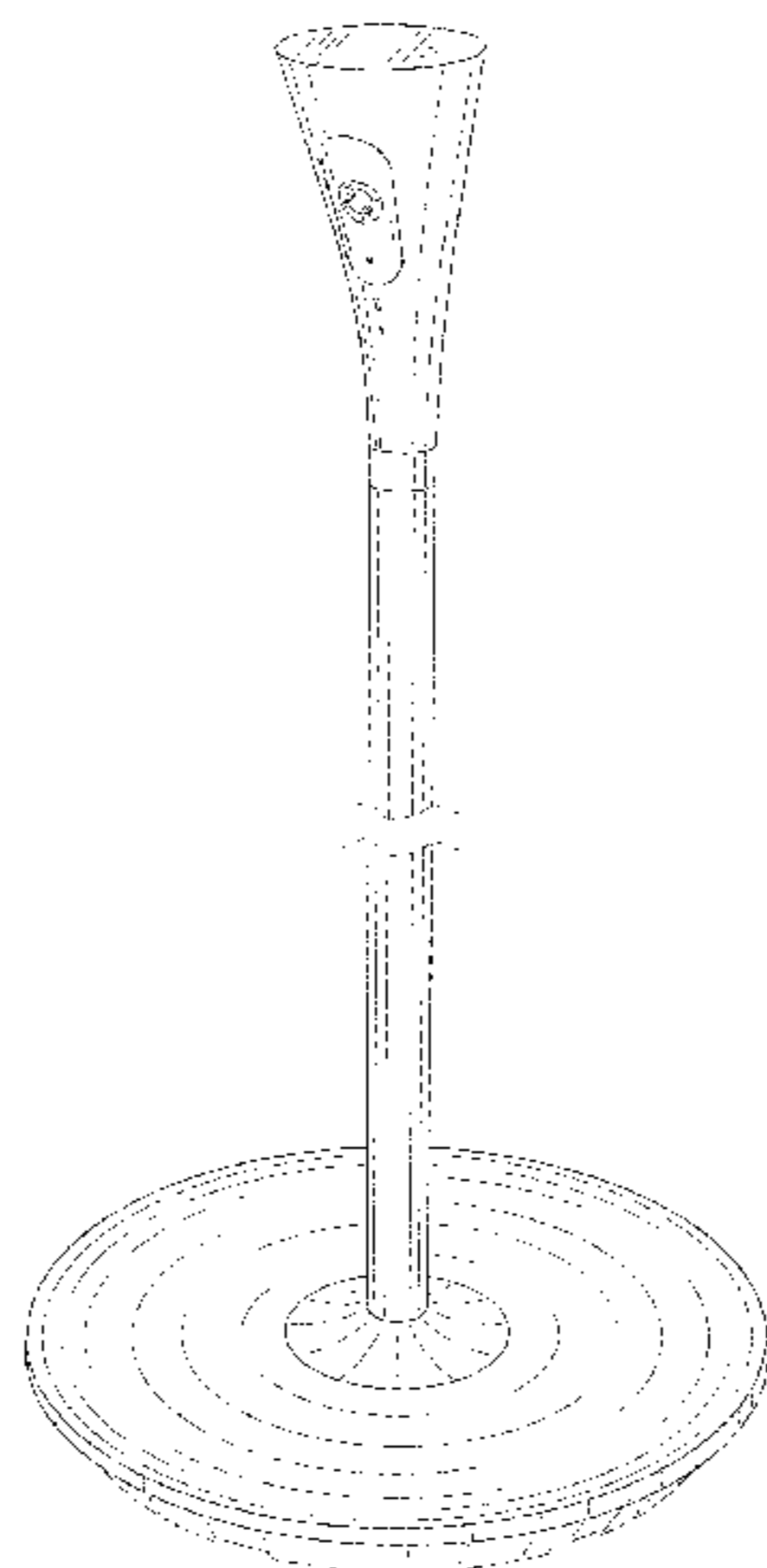
(56) **References Cited**

The broken lines depict portions of the network camera in which the design is embodied that form no part of the claimed design. The dash-dot lines denote the boundary of the claim and form no part of the claimed design. Additionally, the separations on the vertical pole depicted by broken lines indicate break lines for indeterminate length. Any portion of the article between the break lines form no part of the claimed design.

U.S. PATENT DOCUMENTS

D511,352 S \* 11/2005 Oliver ..... D16/203  
D721,757 S \* 1/2015 Shepard ..... D16/214  
D729,296 S \* 5/2015 Shelton ..... D16/202  
D755,876 S \* 5/2016 Moss ..... D16/214  
D785,694 S \* 5/2017 Fujii ..... D16/214  
D819,713 S \* 6/2018 Pickett ..... D16/202  
D824,986 S \* 8/2018 Bartram ..... D16/214

**1 Claim, 7 Drawing Sheets**



(56)

**References Cited**

U.S. PATENT DOCUMENTS

D849,101 S \* 5/2019 Marx ..... D16/214  
D854,599 S \* 7/2019 Hong ..... D16/214

FOREIGN PATENT DOCUMENTS

CN 304184803 6/2017  
JP 1250379 S 9/2005

\* cited by examiner

FIG. 1

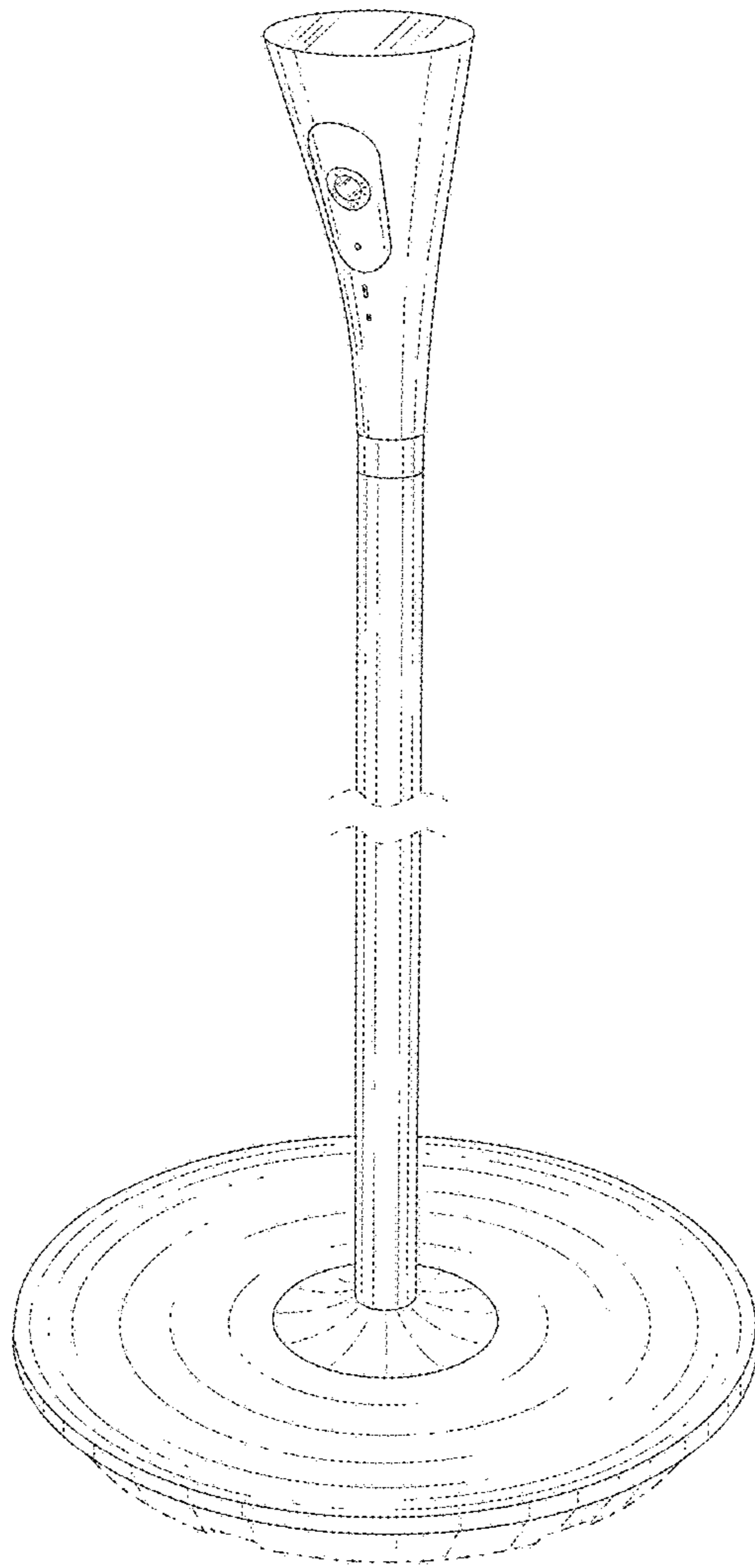


FIG. 2

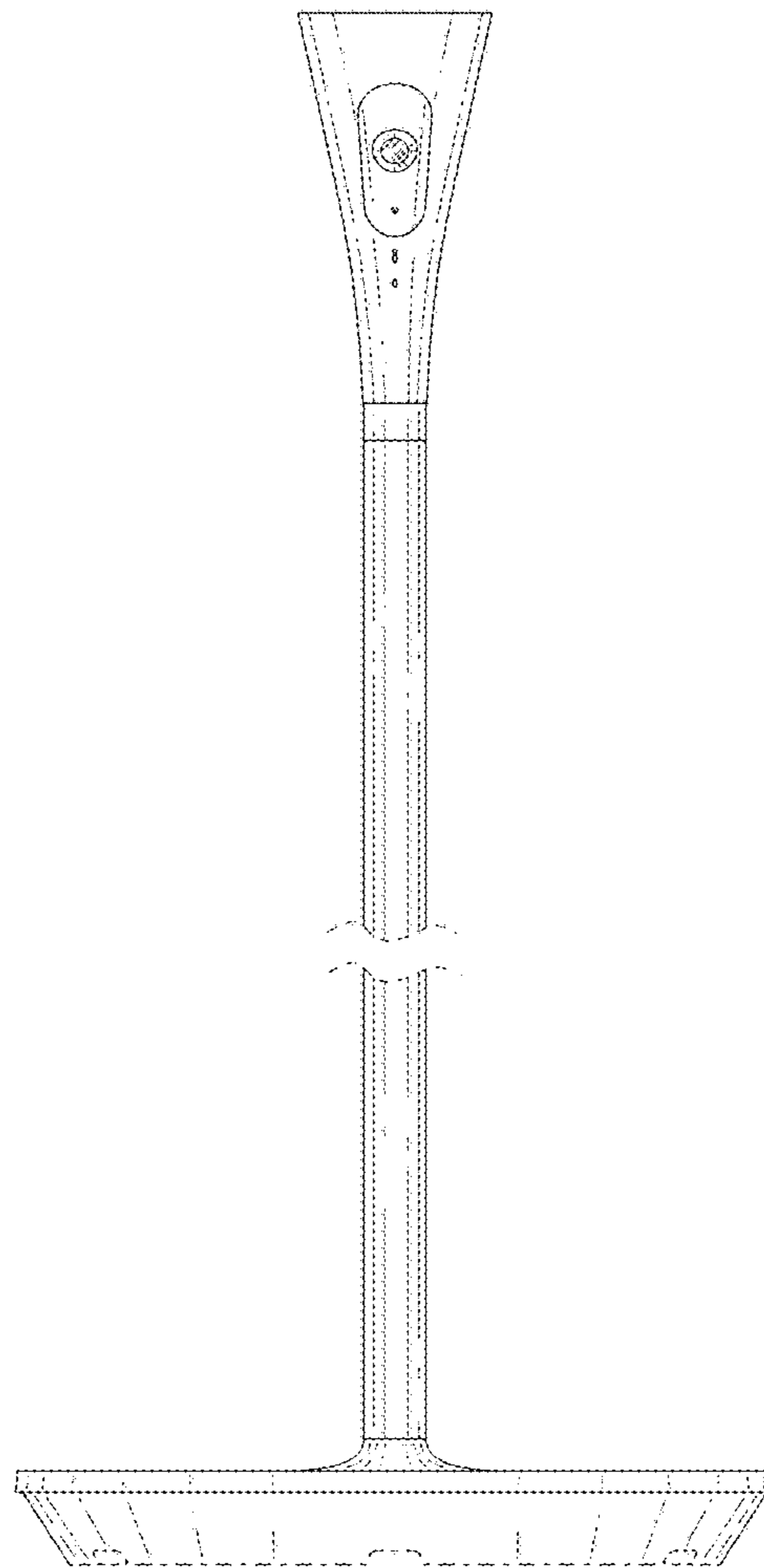


FIG. 3

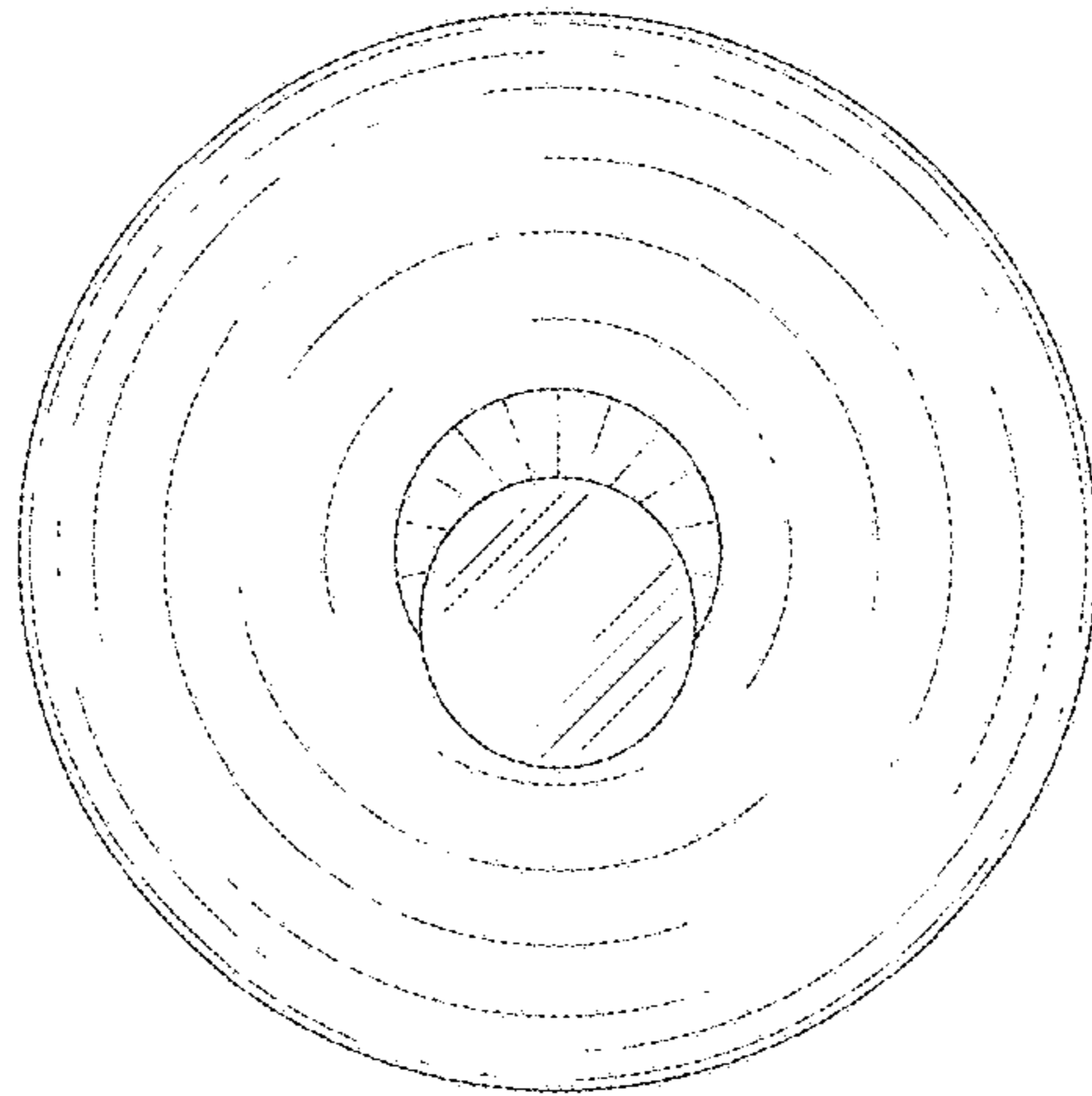


FIG. 4

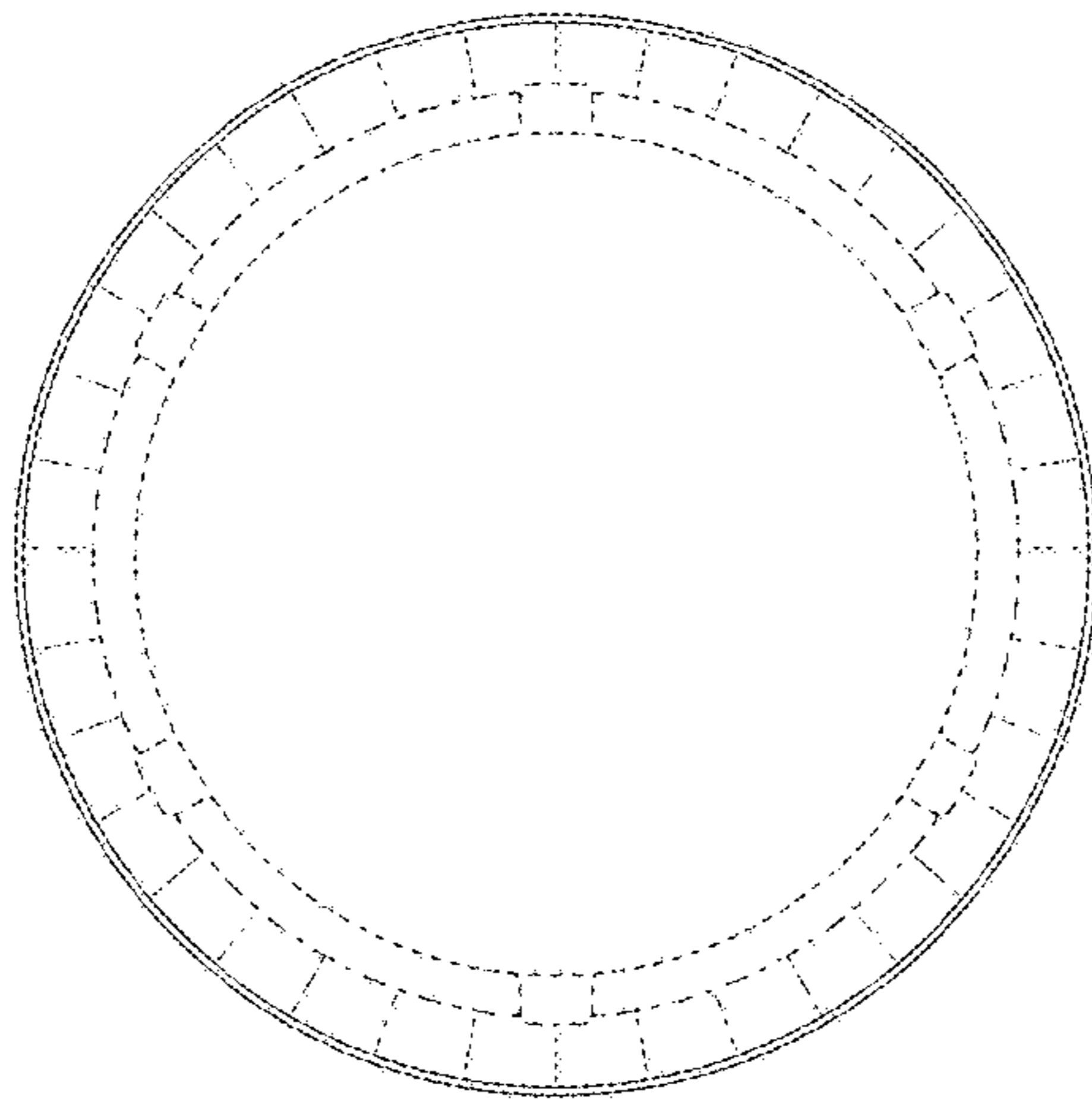


FIG. 5

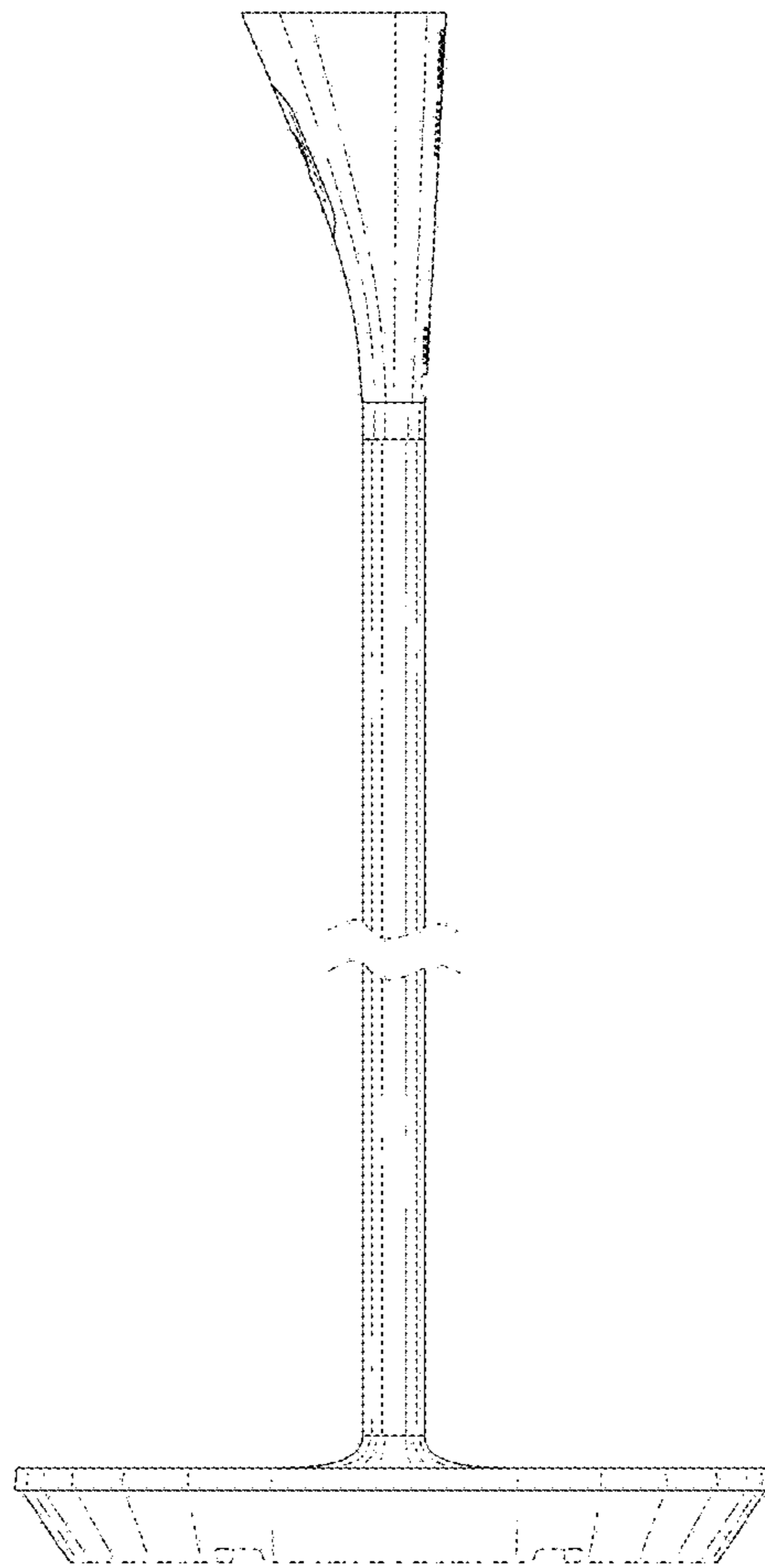


FIG. 6

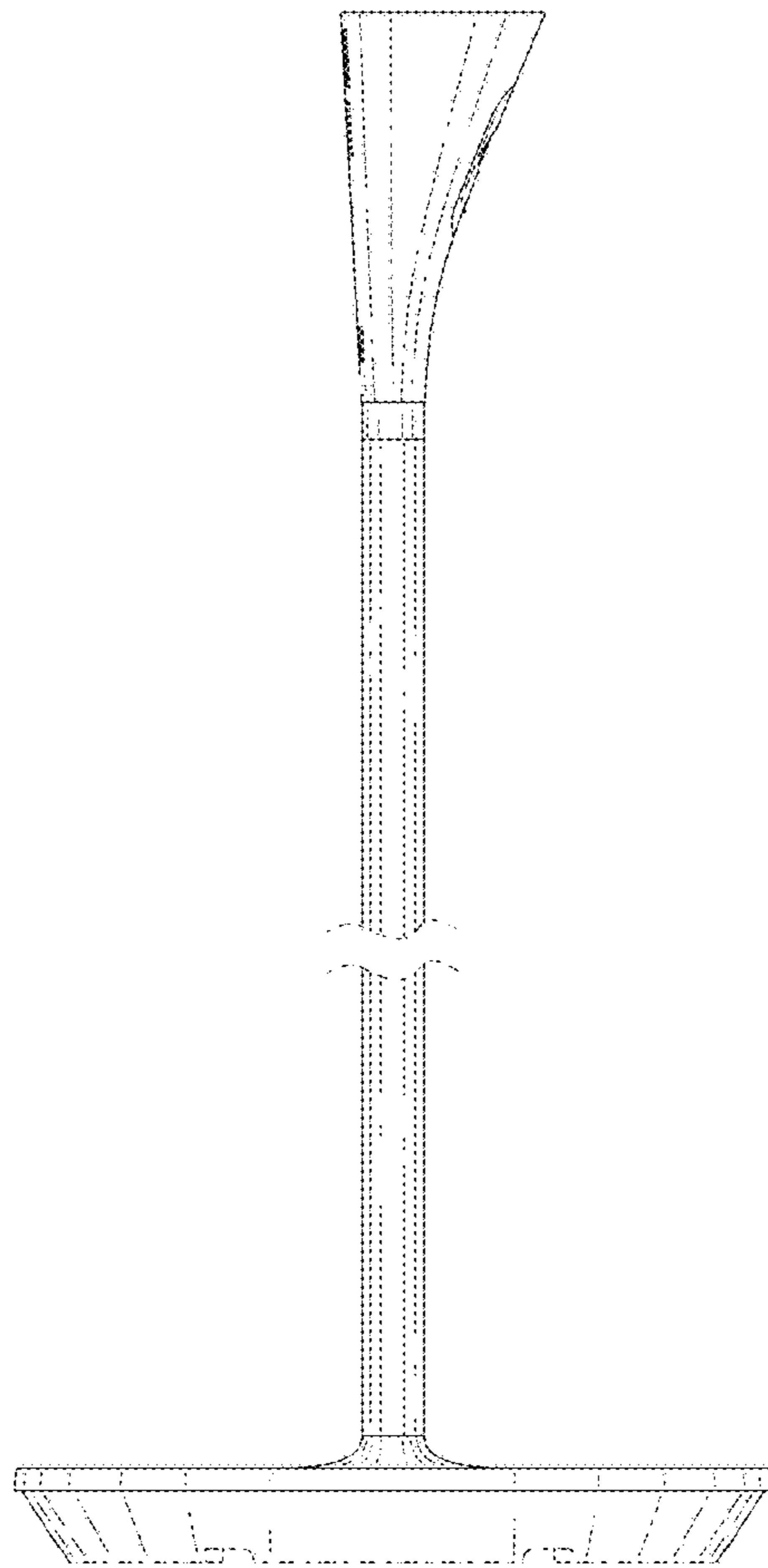




FIG. 7

