



US00D865836S

(12) **United States Design Patent**
Puusaari

(10) **Patent No.:** **US D865,836 S**

(45) **Date of Patent:** **** Nov. 5, 2019**

(54) **HYPERSPECTRAL CAMERA**

(71) Applicant: **Specim, Spectral Imaging Oy Ltd,**
Oulu (FI)

(72) Inventor: **Jarkko Puusaari,** Oulu (FI)

(73) Assignee: **Specim, Spectral Imaging Oy Ltd,**
Oulu (FI)

(**) Term: **15 Years**

(21) Appl. No.: **29/648,692**

(22) Filed: **May 23, 2018**

(30) **Foreign Application Priority Data**

Nov. 24, 2017 (EM) 004521417-0002

(51) **LOC (12) Cl.** **16-01**

(52) **U.S. Cl.**
USPC **D16/202**

(58) **Field of Classification Search**

USPC D16/200, 202–206, 208, 218, 219;
D21/514; 348/373–376; 396/535,
396/539–541

CPC G03B 15/03; G03B 17/02; G03B 17/04;
G03B 17/56; G03B 19/04; H04N 5/2251;
H04N 5/2252; H04N 5/2253; H04N
5/2254; H04N 2101/00

See application file for complete search history.

(56) **References Cited**

U.S. PATENT DOCUMENTS

D356,587 S * 3/1995 Shuler D16/200
D373,130 S * 8/1996 Jin D16/218

D451,117 S * 11/2001 Huthmaker D16/202
6,628,901 B2 * 9/2003 Naka G03B 7/26
396/301
D522,557 S * 6/2006 Chen D16/202
D524,837 S * 7/2006 Chen D16/202
D616,008 S * 5/2010 Enervold D16/218
D633,122 S * 2/2011 Booker D16/218
D695,329 S * 12/2013 Fujita D16/202
D702,748 S * 4/2014 Muraki D16/202
D748,712 S * 2/2016 Tompkin D16/218
D758,468 S * 6/2016 Darty D16/207
2011/0181771 A1 * 7/2011 Hazama G03B 15/05
348/371

* cited by examiner

Primary Examiner — Ramzi S Almatrahi

(74) *Attorney, Agent, or Firm* — Nixon & Vanderhye PC

(57) **CLAIM**

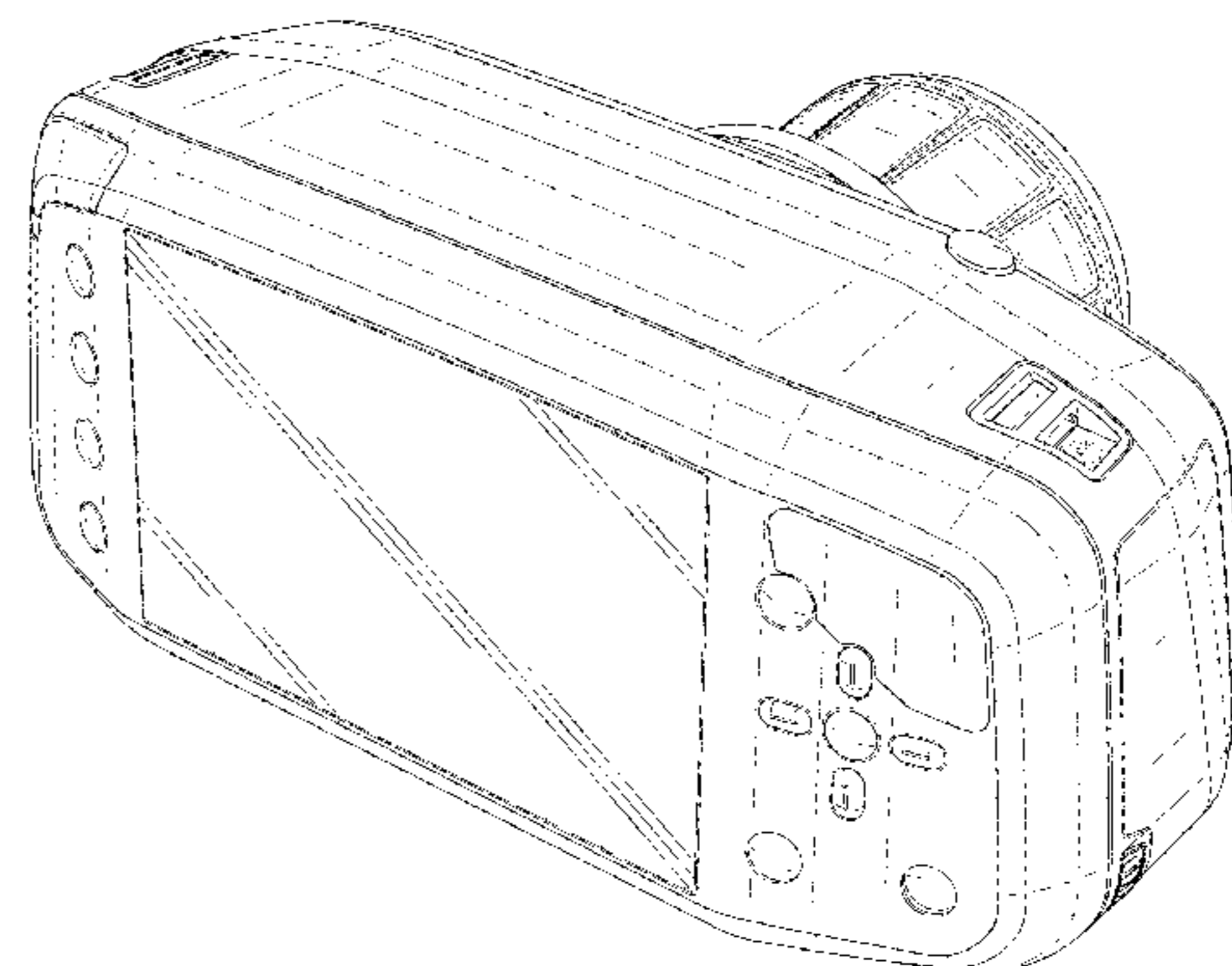
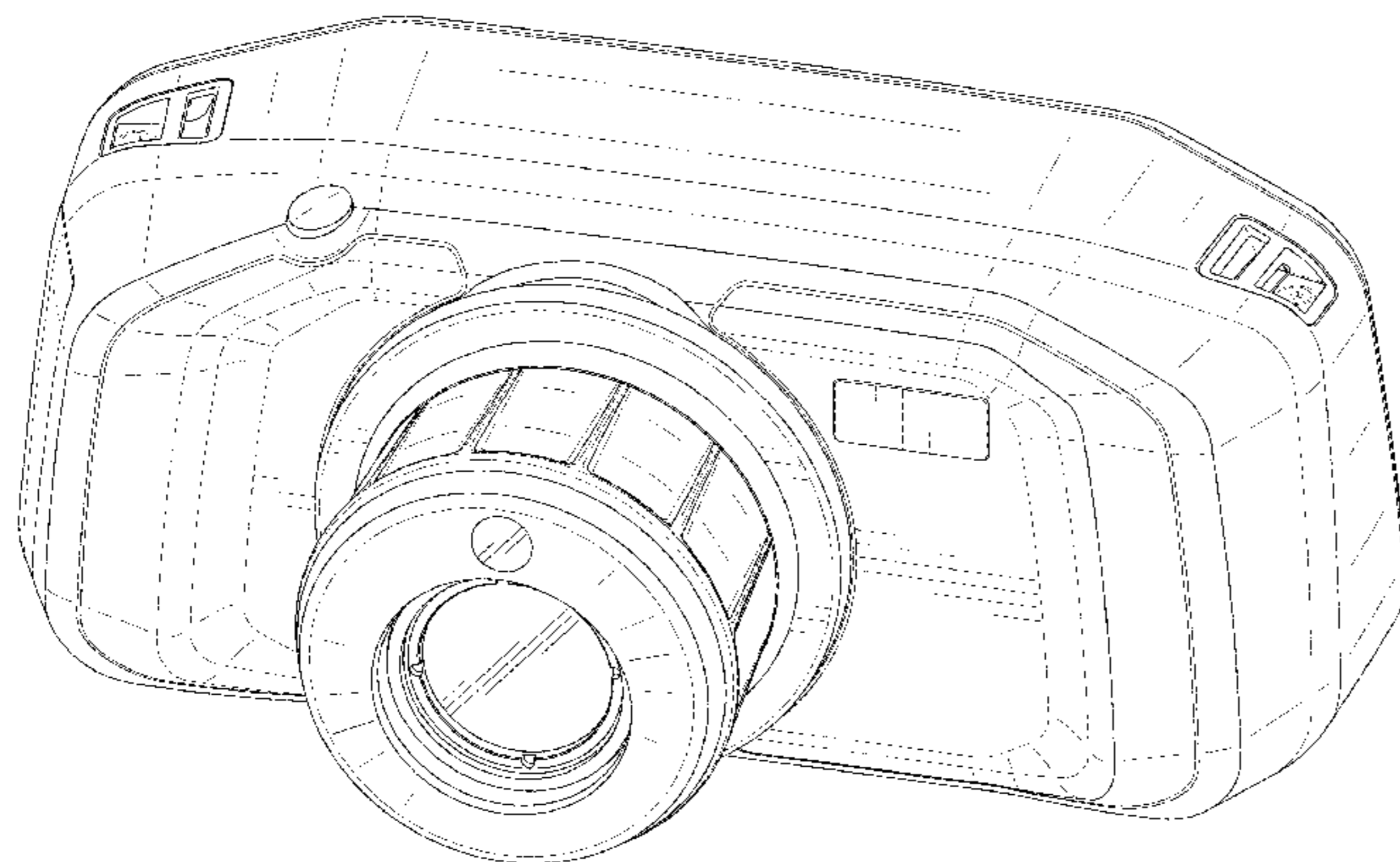
The ornamental design for a hyperspectral camera, as shown and described.

DESCRIPTION

FIG. 1 is a front, top perspective view of a hyperspectral camera showing my new design;
FIG. 2 is a front, bottom perspective view thereof;
FIG. 3 is a rear perspective view thereof;
FIG. 4 is a front elevation view thereof;
FIG. 5 is a rear elevation view thereof;
FIG. 6 is a top plan view thereof;
FIG. 7 is a bottom plan view thereof;
FIG. 8 is a left side view thereof; and,
FIG. 9 is a right side view thereof.

The broken lines depict portions of the hyperspectral camera that form no part of the claimed design.

1 Claim, 9 Drawing Sheets



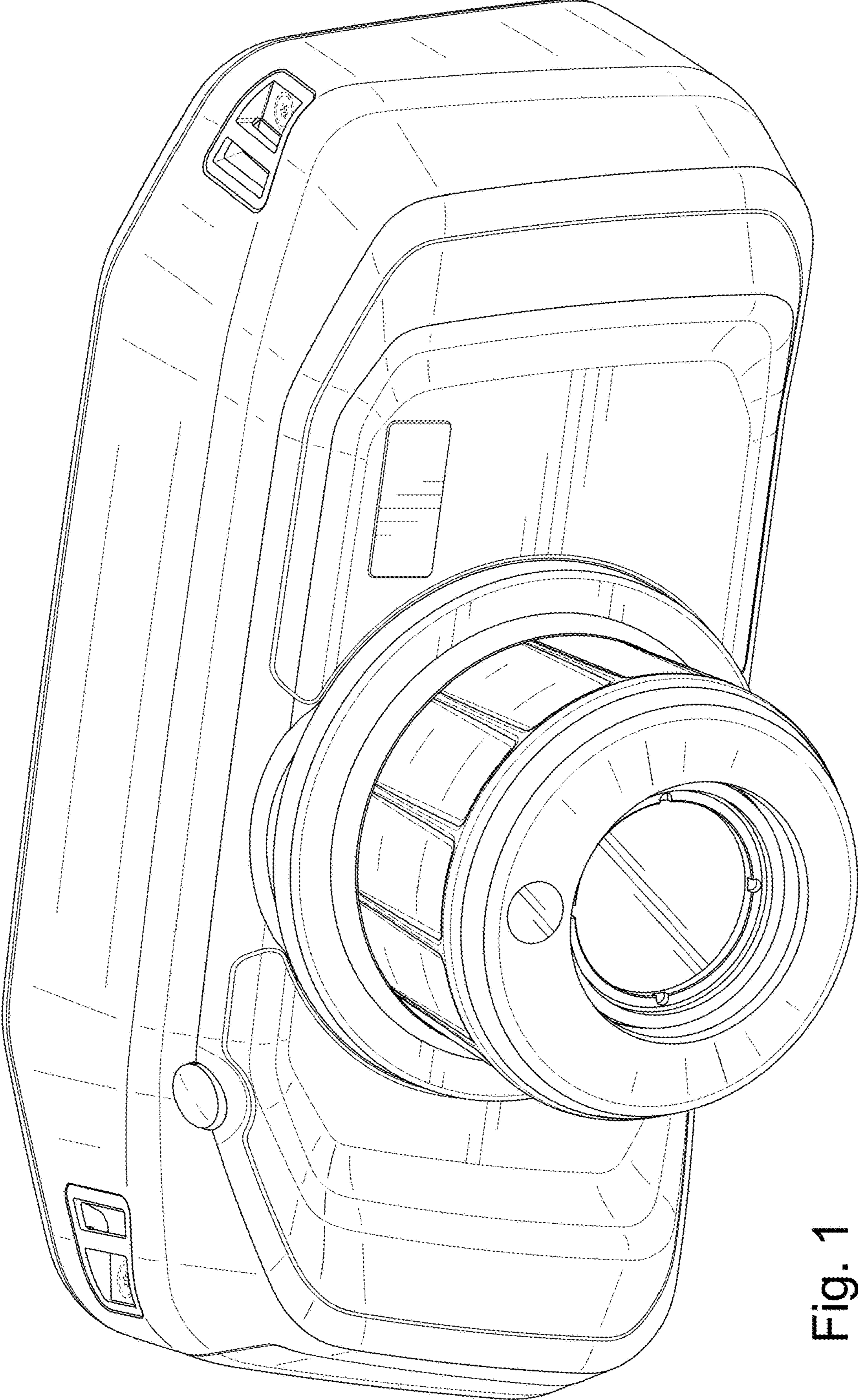


Fig. 1

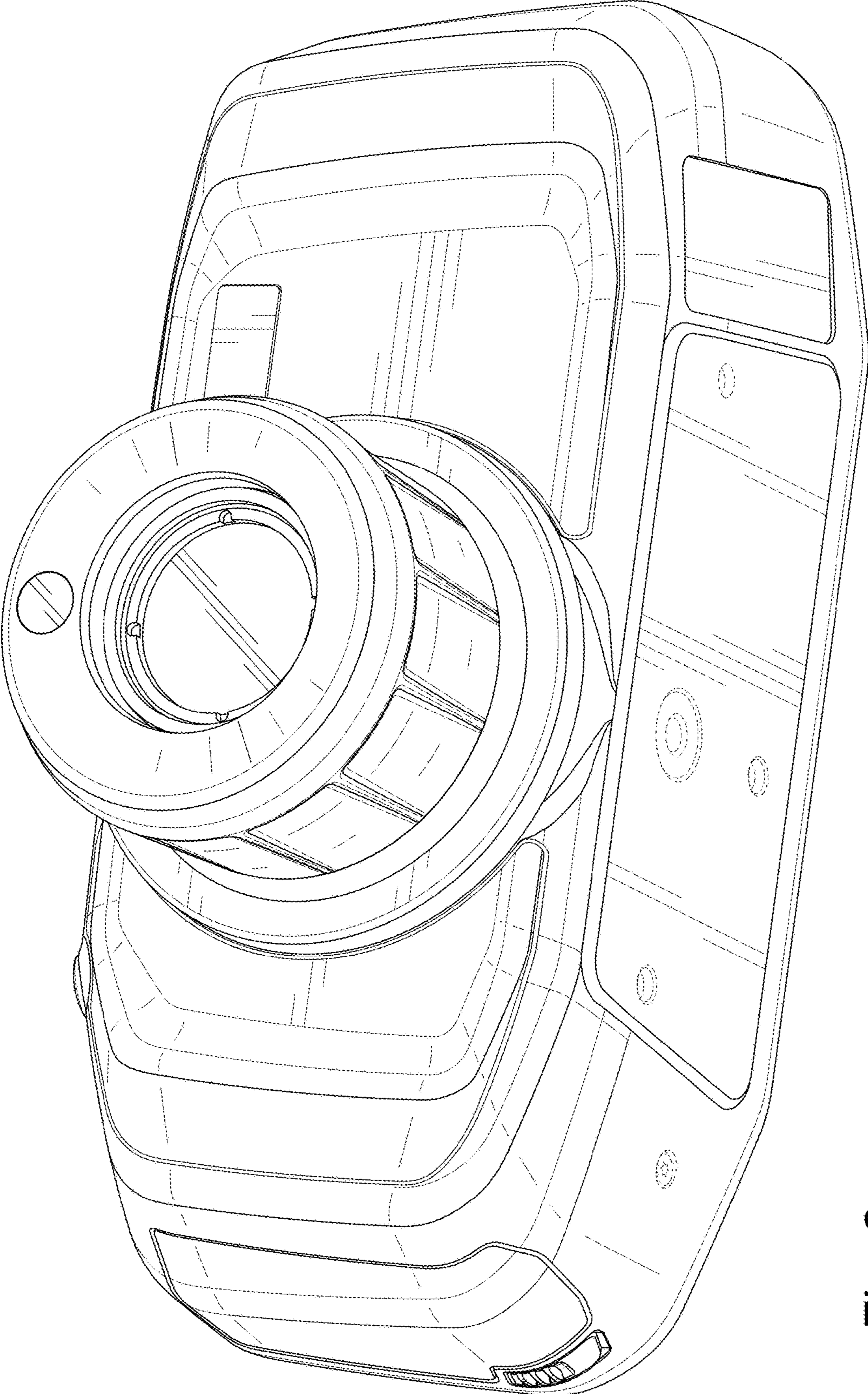


Fig. 2

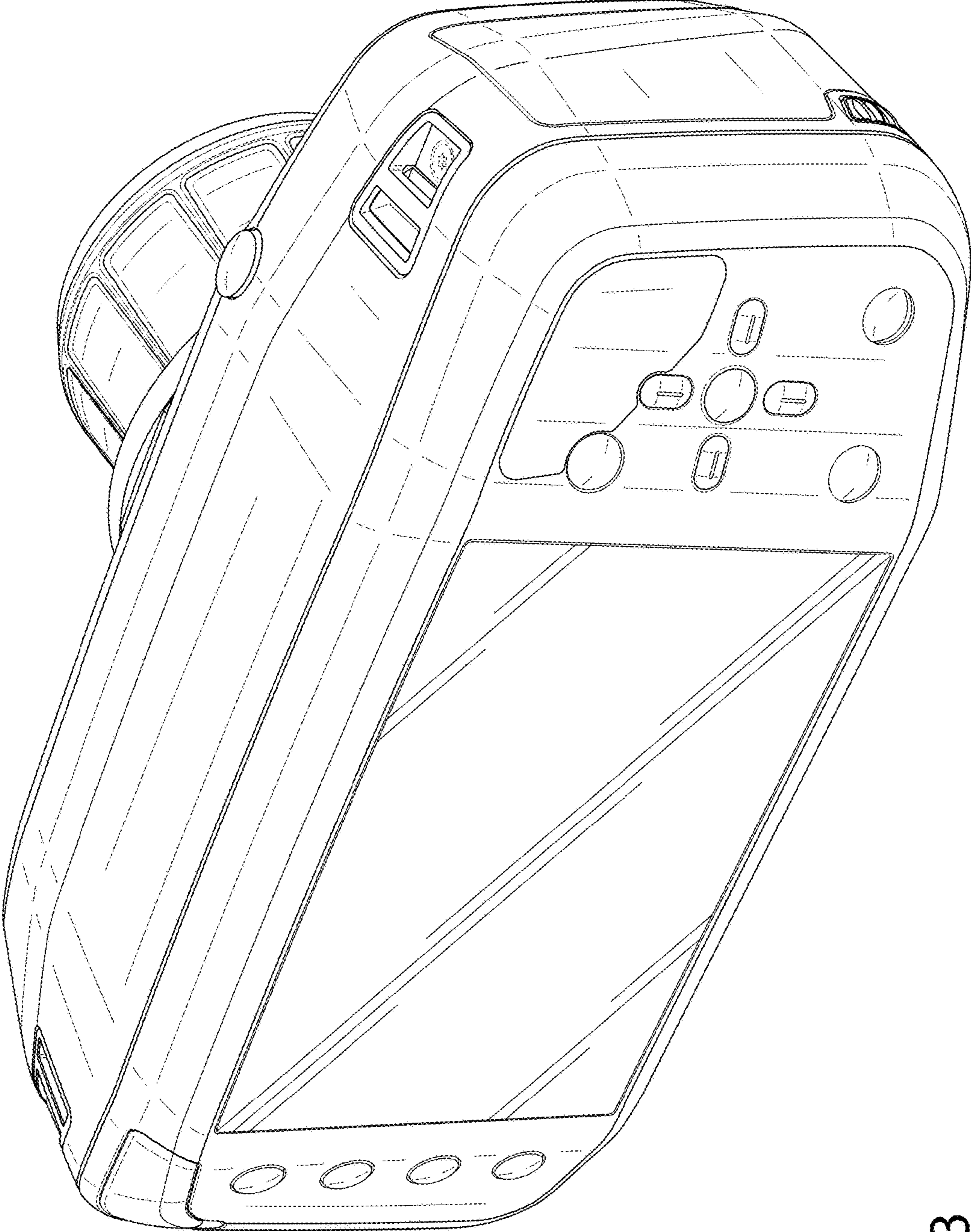


Fig. 3

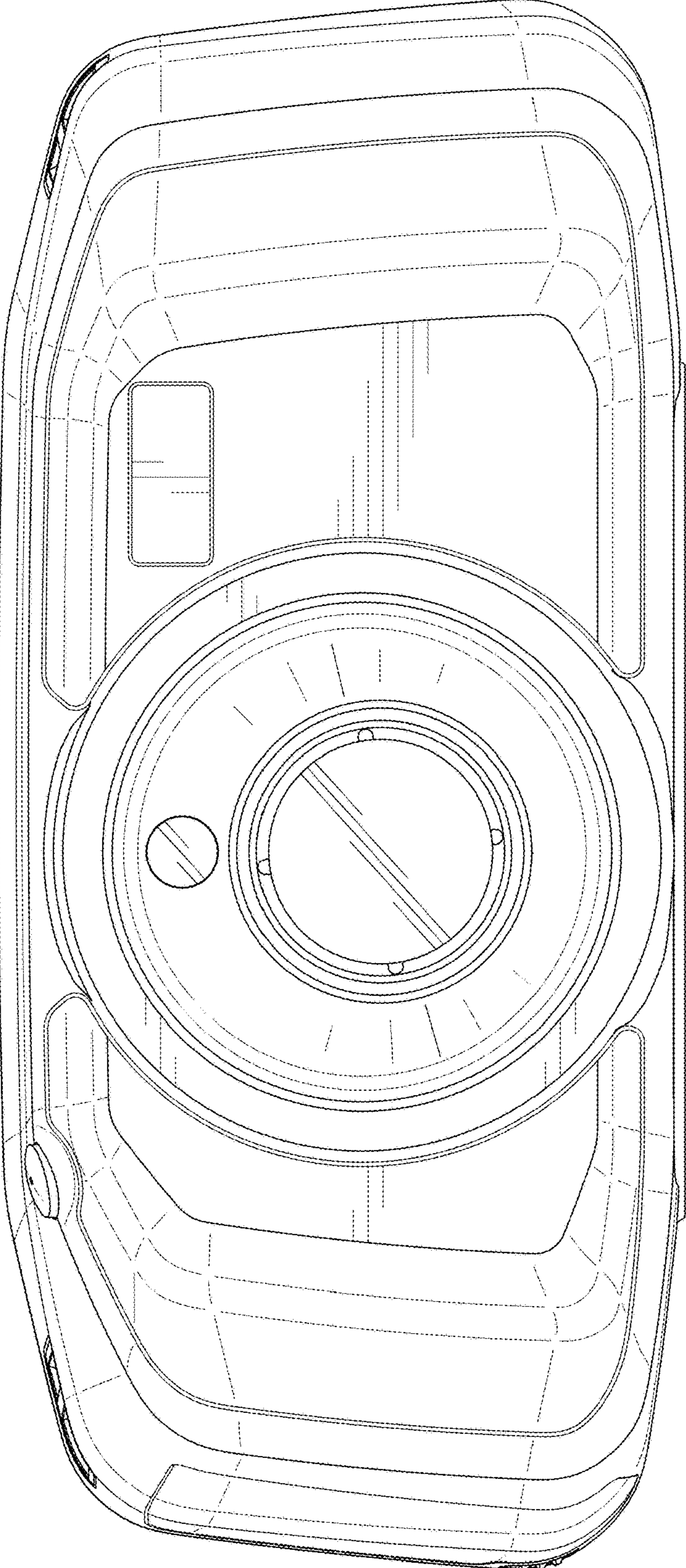


Fig. 4

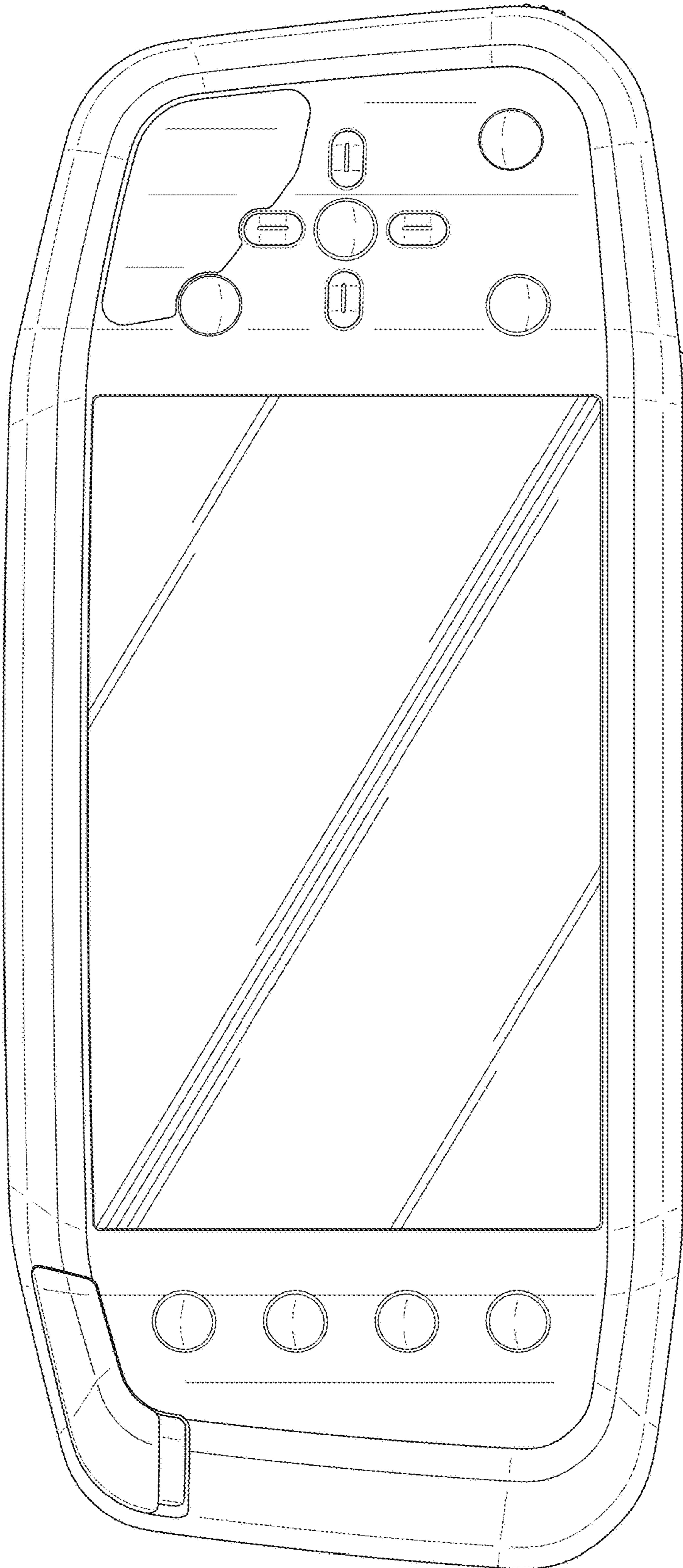


Fig. 5

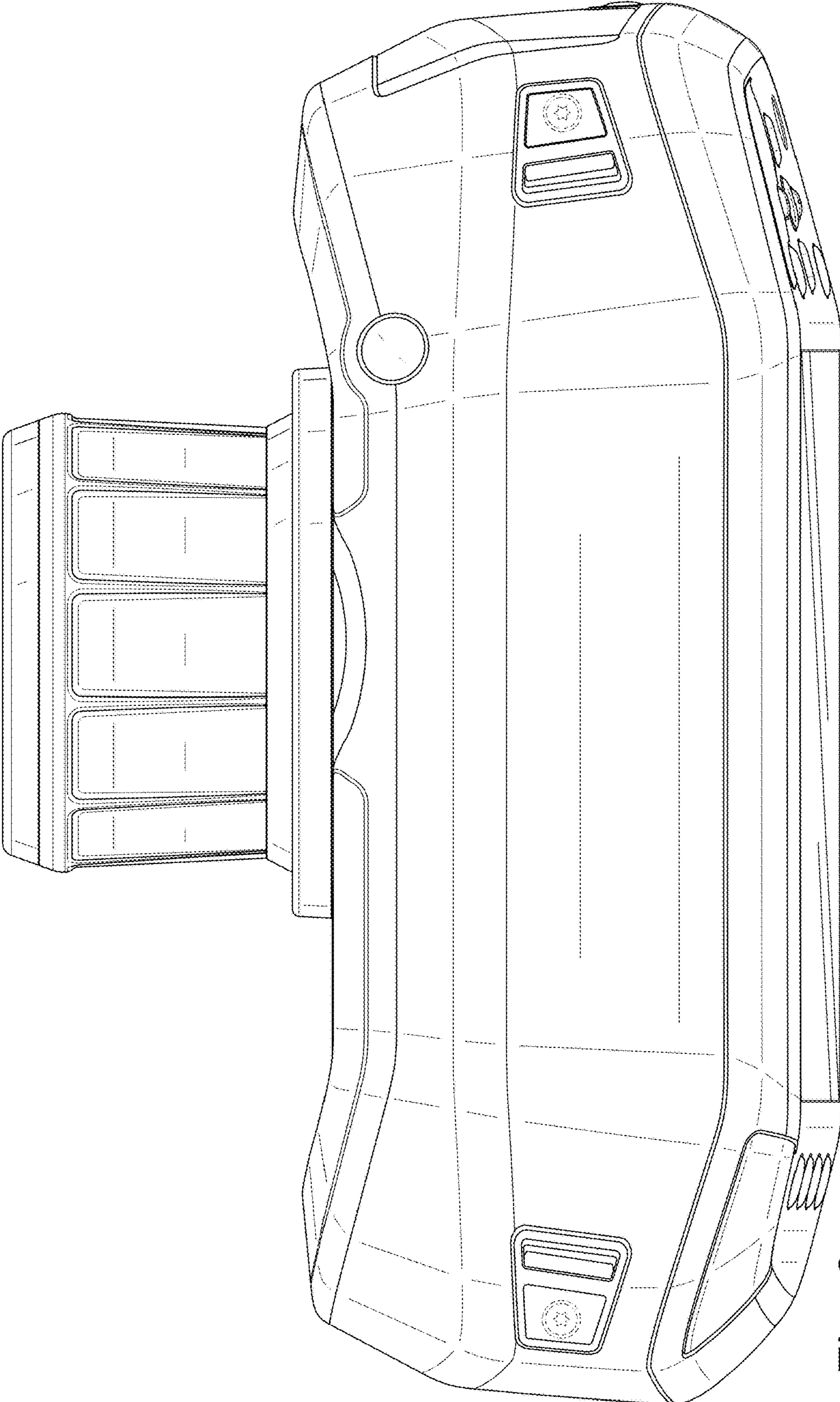


Fig. 6

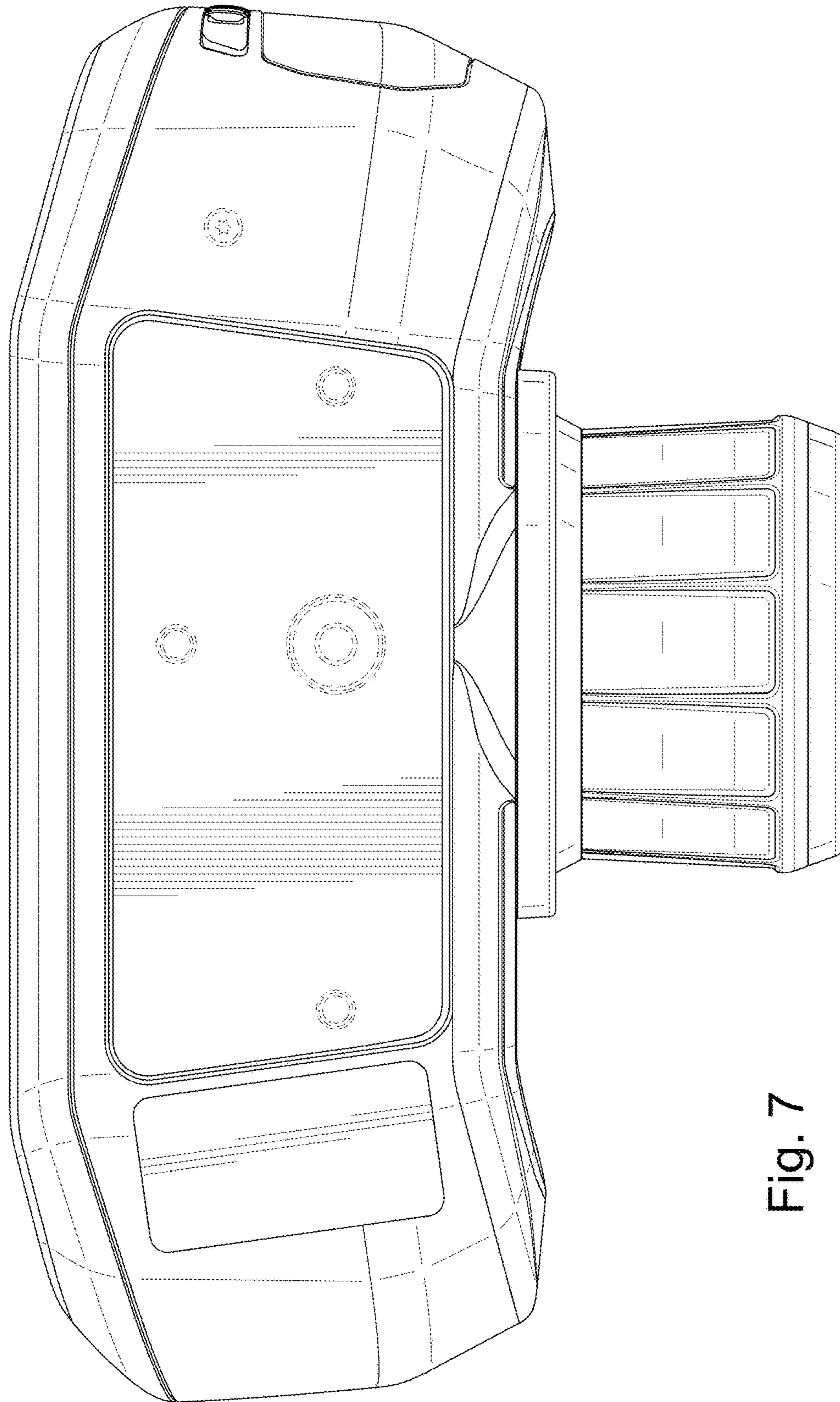


Fig. 7

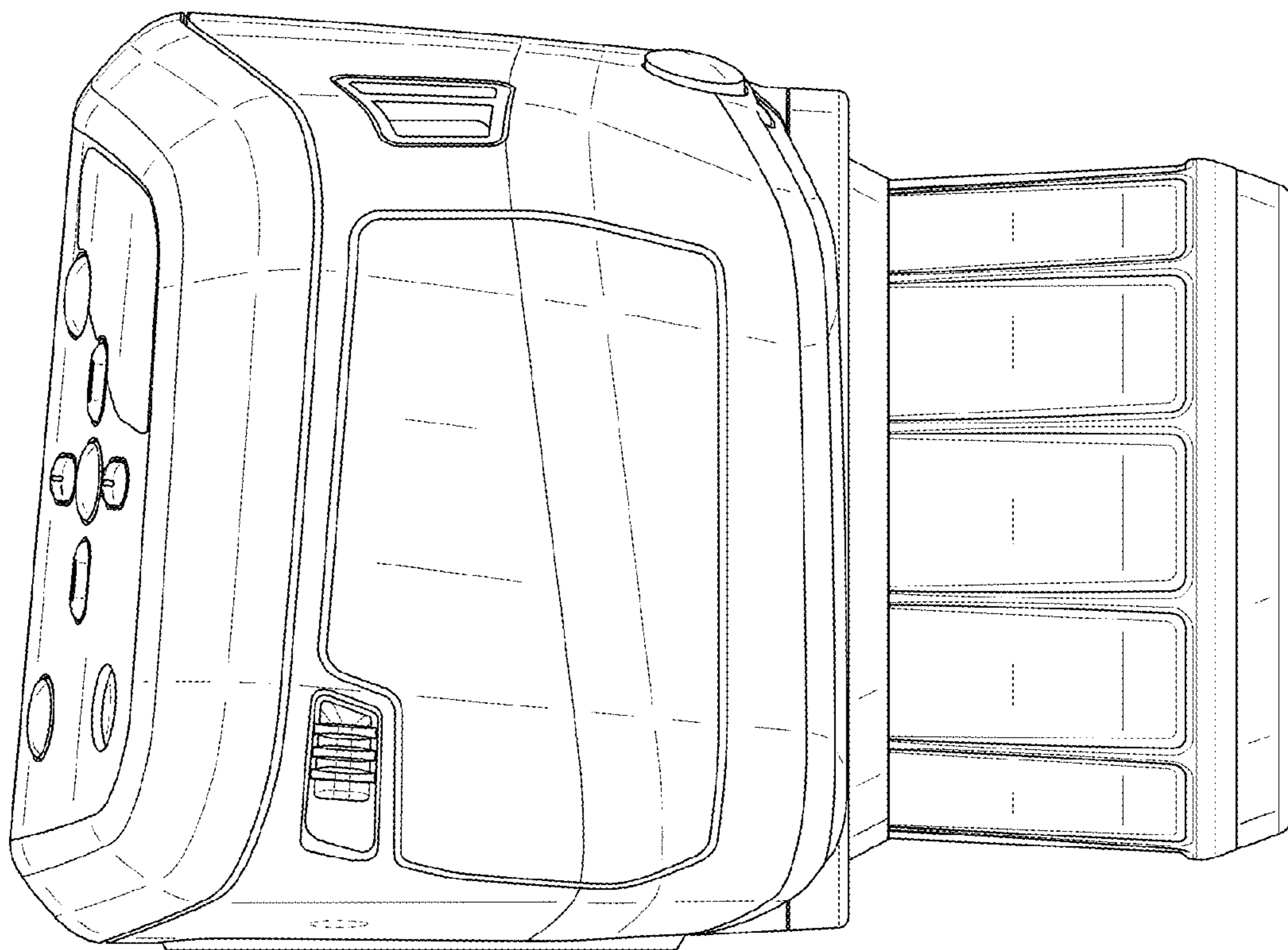


Fig. 8

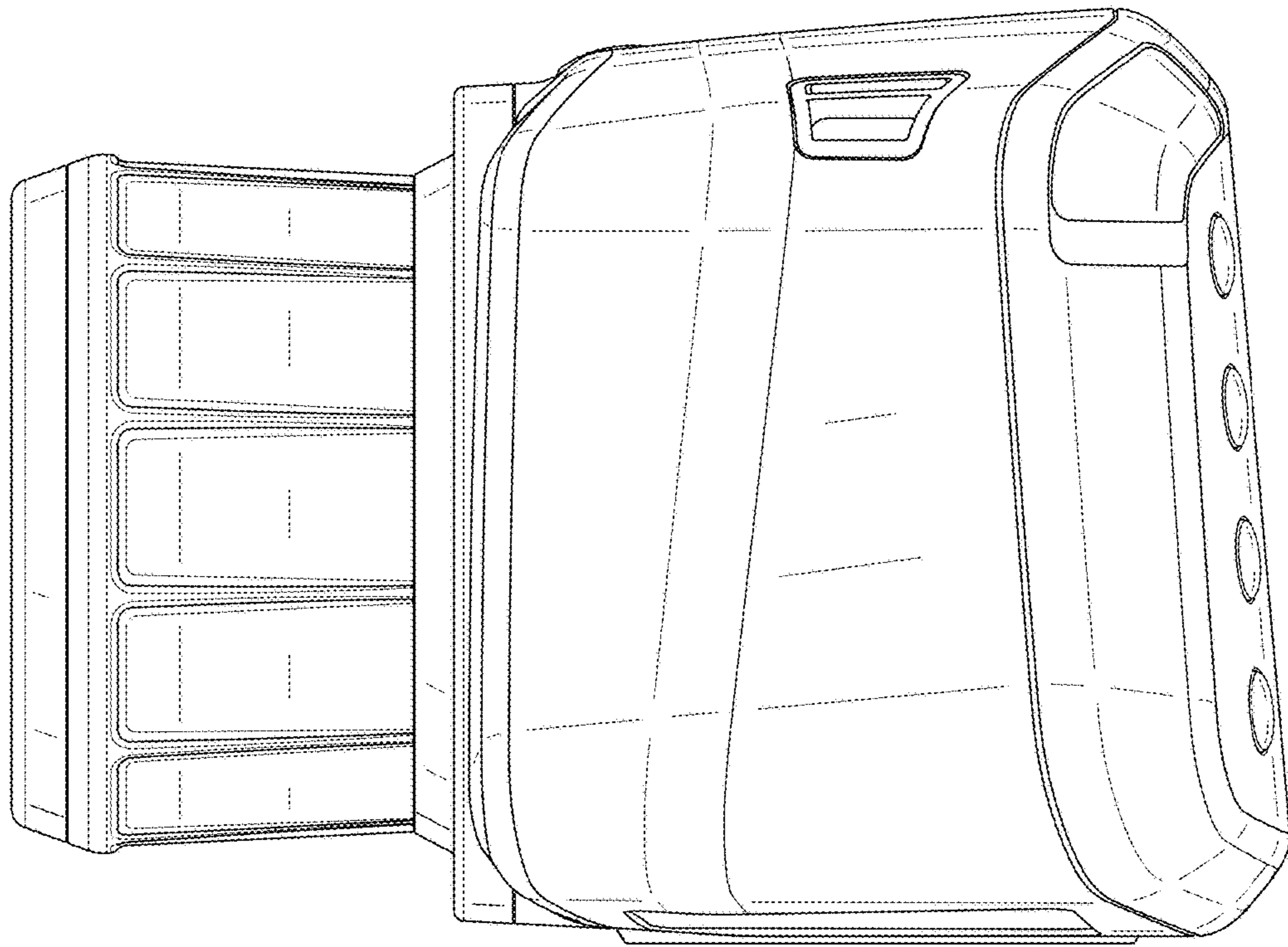


Fig. 9