



US00D865835S

(12) **United States Design Patent** (10) **Patent No.:** **US D865,835 S**
Fidler (45) **Date of Patent:** **** Nov. 5, 2019**

(54) **CAMERA**
(71) Applicant: **Furrion Property Holding Limited,**
Hong Kong (HK)
(72) Inventor: **Matthew David Fidler,** Hong Kong
(HK)
(73) Assignee: **Furrion Property Holding Limited,**
Hong Kong (HK)
(**) Term: **15 Years**
(21) Appl. No.: **29/645,827**
(22) Filed: **Apr. 30, 2018**
(51) **LOC (12) Cl.** **16-01**
(52) **U.S. Cl.**
USPC **D16/202**
(58) **Field of Classification Search**
USPC D16/200, 202–206, 208, 218, 219;
D21/514; 348/373–376; 396/535,
396/539–541
CPC G03B 15/03; G03B 17/02; G03B 17/04;
G03B 17/56; G03B 19/04; H04N 5/2251;
H04N 5/2252; H04N 5/2253; H04N
5/2254; H04N 2101/00
See application file for complete search history.

D748,712 S * 2/2016 Tompkin D16/218
D758,468 S * 6/2016 Darty D16/207
2011/0181771 A1* 7/2011 Hazama G03B 15/05
348/371

OTHER PUBLICATIONS

“Camera Mount,” Design U.S. Appl. No. 29/645,836, filed Apr. 30, 2018 under the applicant Furrion Property Holding Limited, 9 pages.
“Camera Mounting Interface,” Design U.S. Appl. No. 29/645,846, filed Apr. 30, 2018 under the applicant Furrion Property Holding Limited, 8 pages.
“Camera,” Design U.S. Appl. No. 29/645,833, filed Apr. 30, 2018 under the applicant Furrion Property Holding Limited, 9 pages.
“Illuminating Camera Mount,” Design U.S. Appl. No. 29/645,843, filed Apr. 30, 2018 under the applicant Furrion Property Holding Limited, 9 pages.

* cited by examiner

Primary Examiner — Ramzi S Almatrahi
(74) *Attorney, Agent, or Firm* — Faegre Baker Daniels
LLP

(57) **CLAIM**

The ornamental design for a camera, as shown and described.

DESCRIPTION

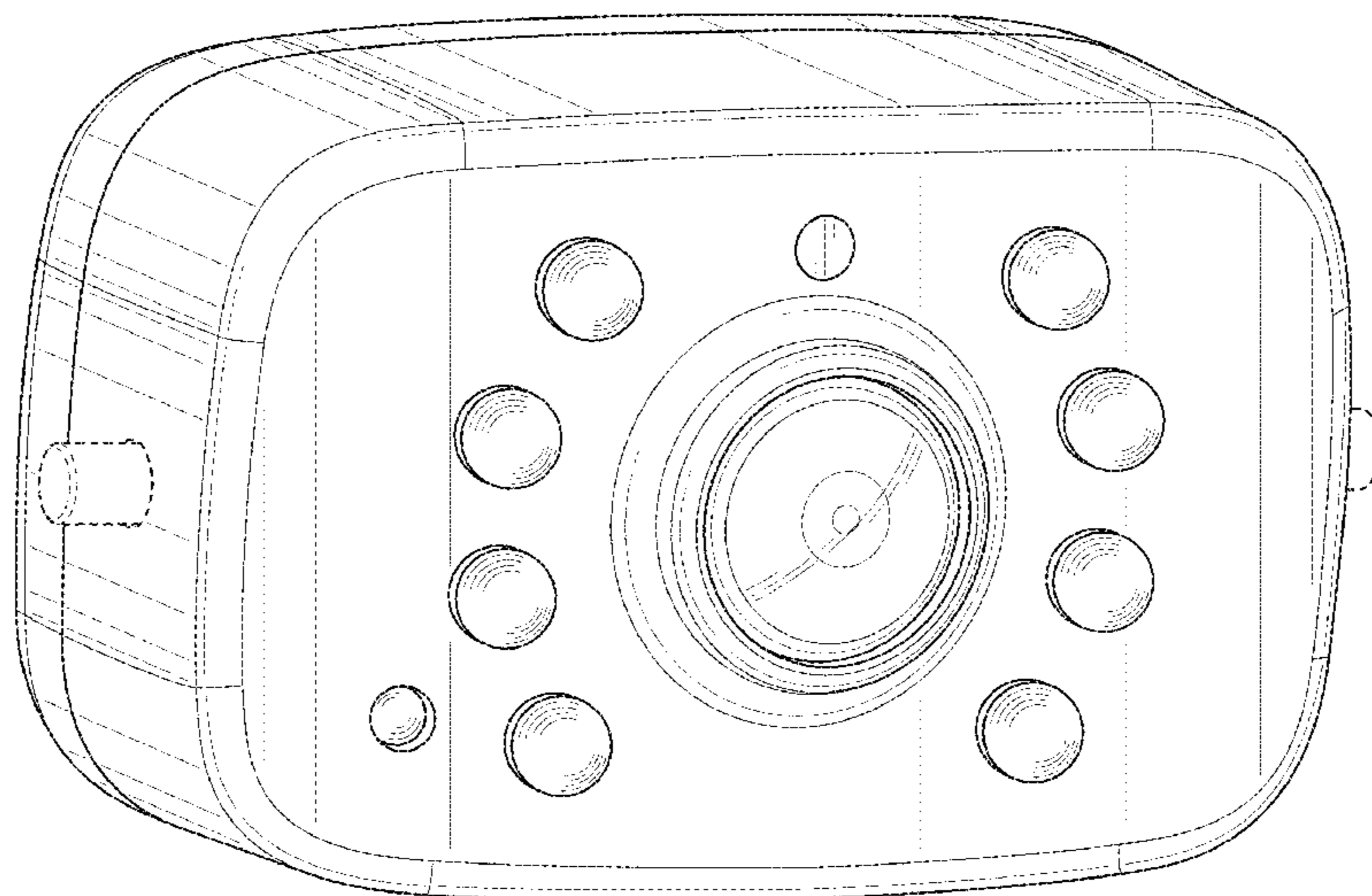
FIG. 1 is a front perspective view of a camera illustrating my new design;
FIG. 2 is a front view thereof;
FIG. 3 is a rear view thereof;
FIG. 4 is a left side view thereof;
FIG. 5 is a right side view thereof;
FIG. 6 is a top view thereof; and,
FIG. 7 is a bottom view thereof.
The broken lines depict portions of the camera in which the design is embodied that form no part of the claimed design.

1 Claim, 7 Drawing Sheets

(56) **References Cited**

U.S. PATENT DOCUMENTS

D356,587 S * 3/1995 Shuler D16/200
D373,130 S * 8/1996 Jin D16/218
D451,117 S * 11/2001 Huthmaker D16/202
6,628,901 B2 * 9/2003 Naka G03B 7/26
396/301
D522,557 S * 6/2006 Chen D16/202
D524,837 S * 7/2006 Chen D16/202
D616,008 S * 5/2010 Enervold D16/218
D633,122 S * 2/2011 Booker D16/218
D695,329 S * 12/2013 Fujita D16/202
D702,748 S * 4/2014 Muraki D16/202



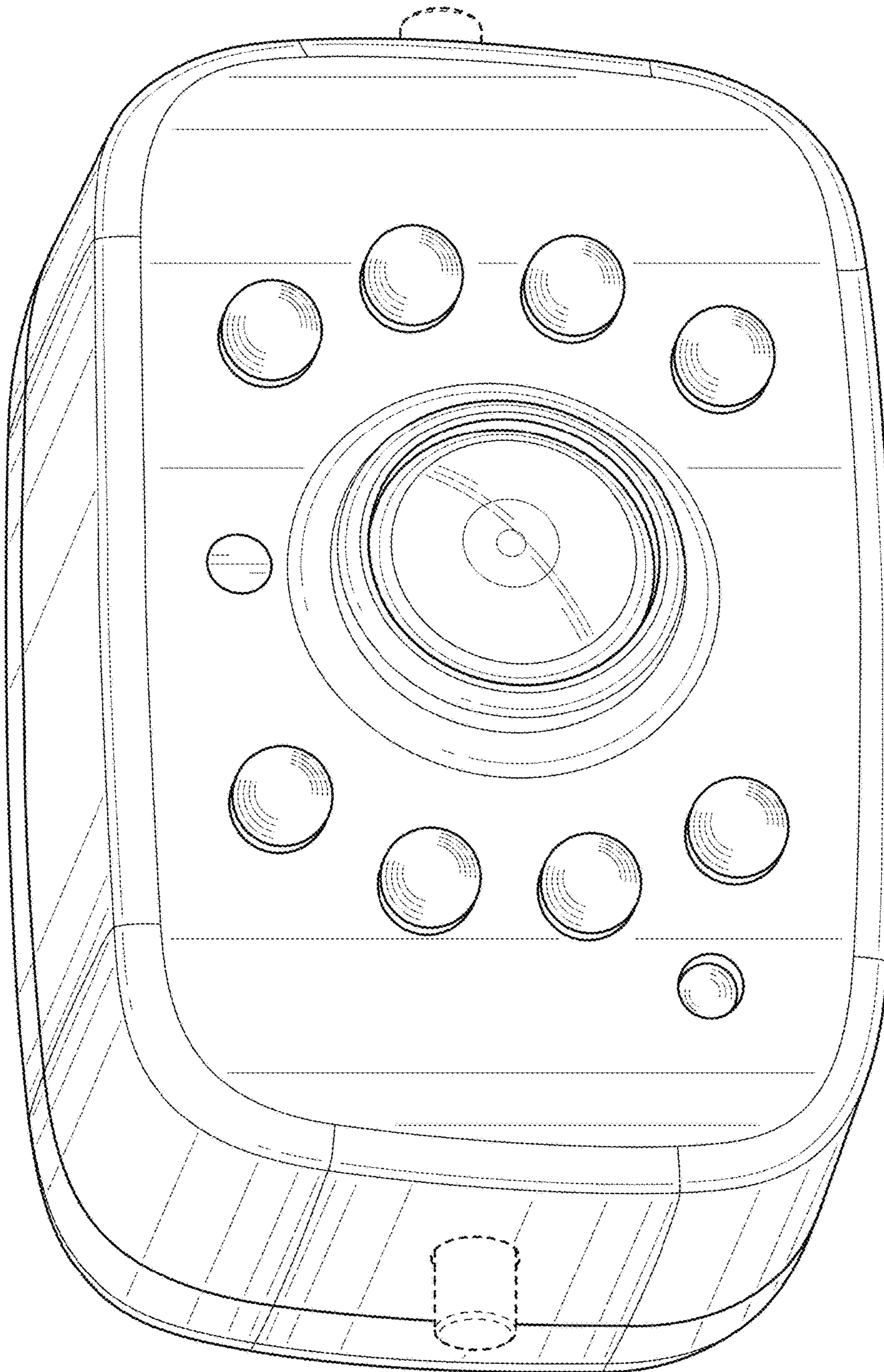


FIG. 1

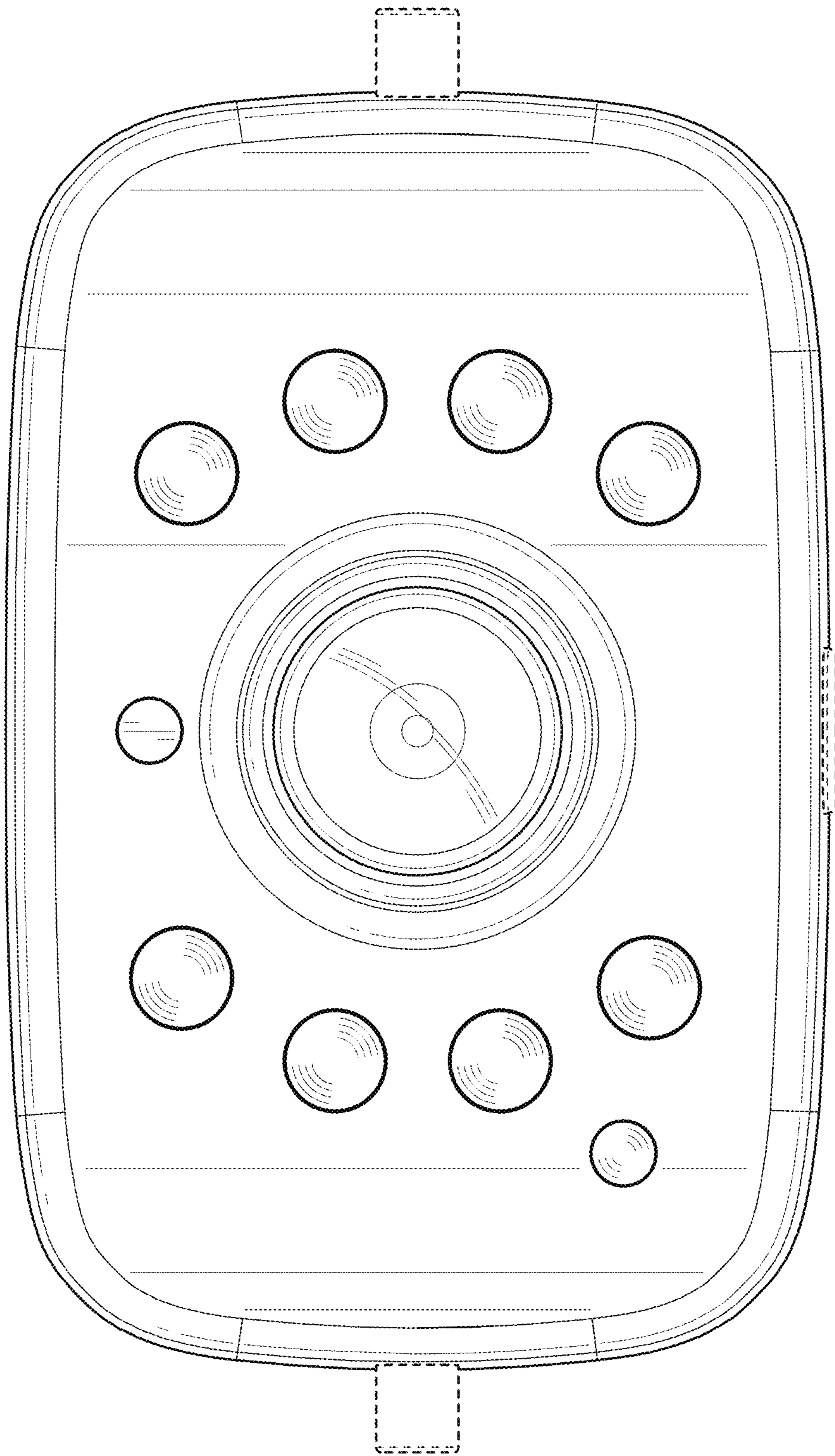


FIG. 2

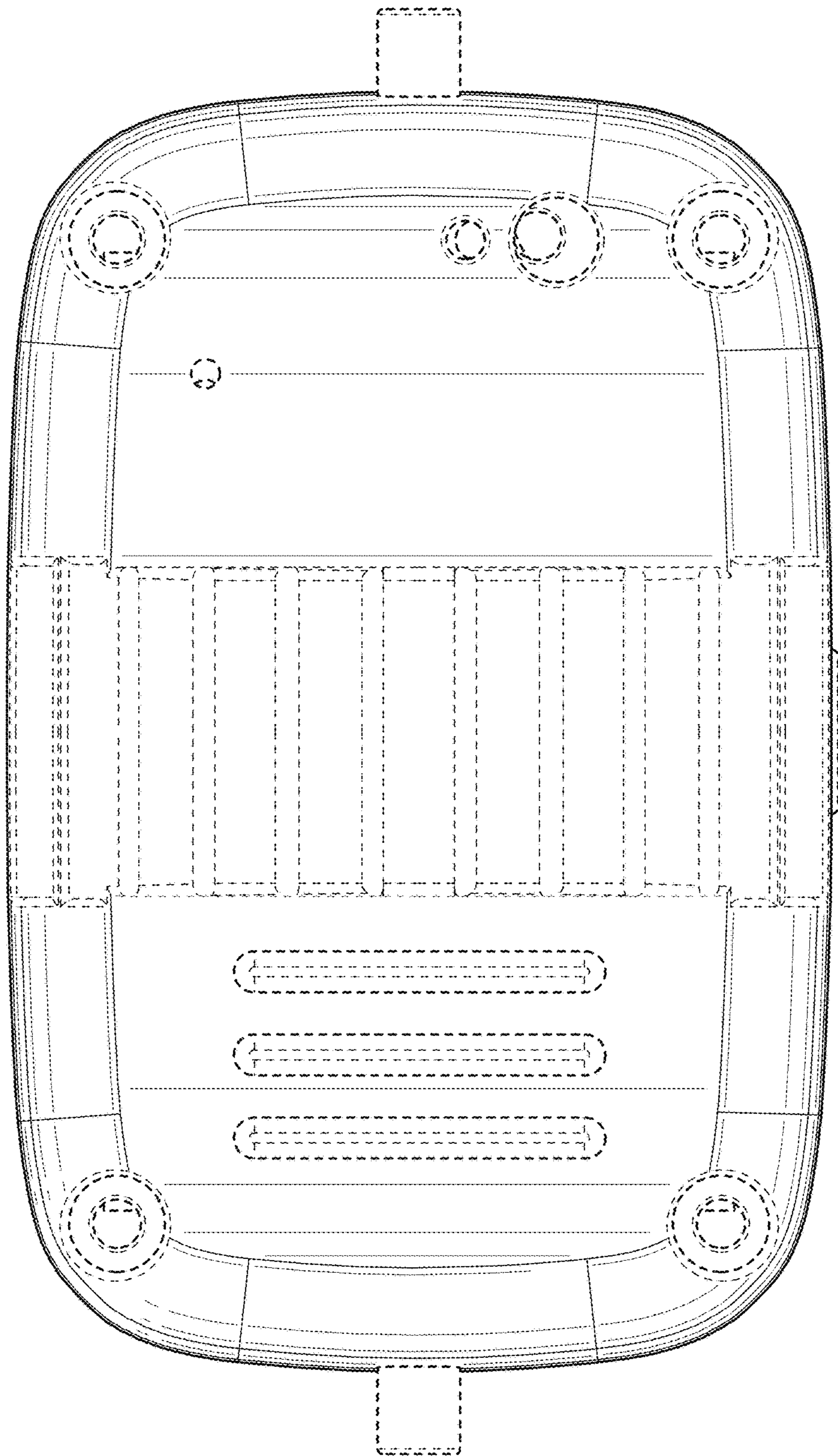


FIG. 3

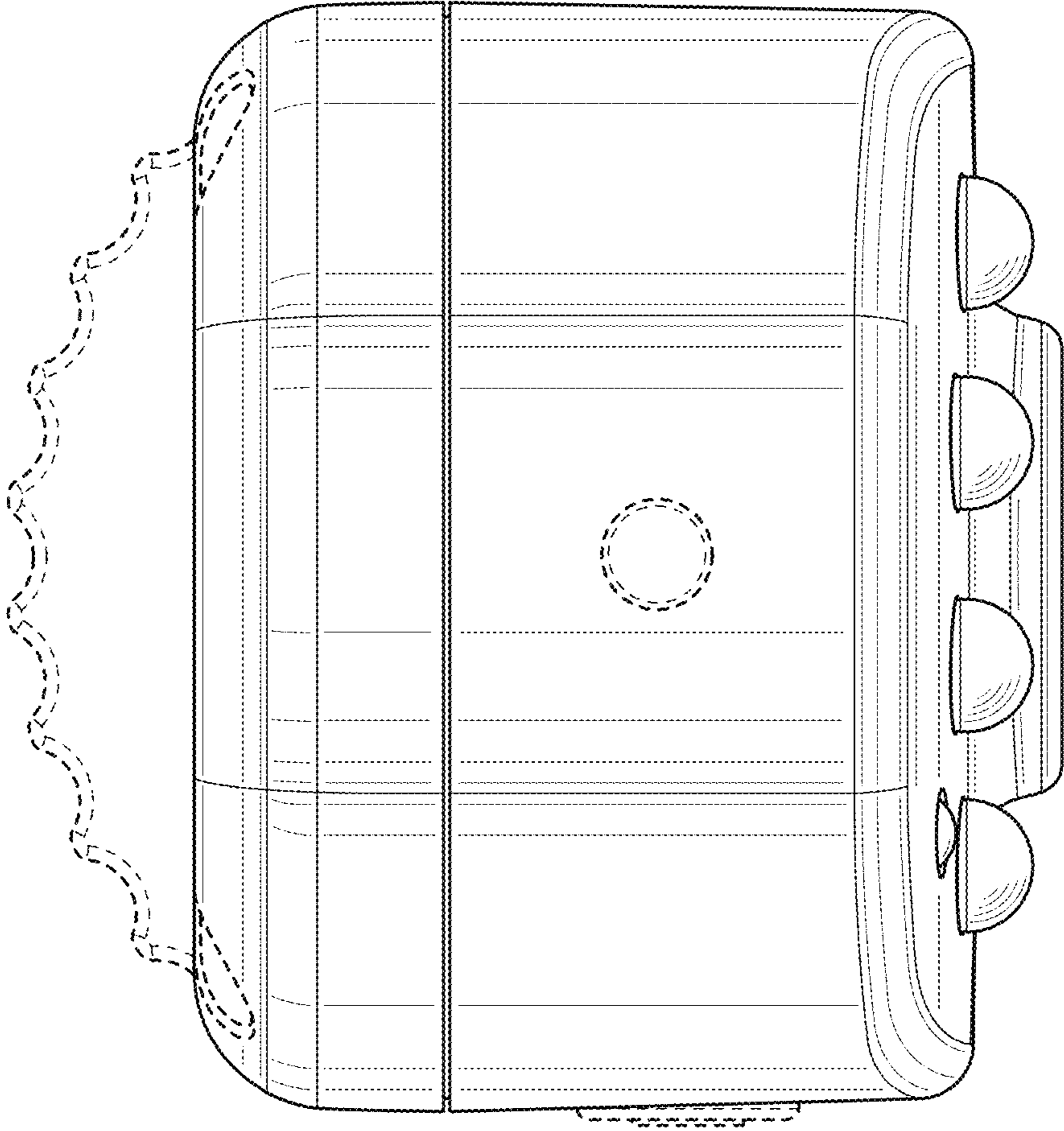


FIG. 4

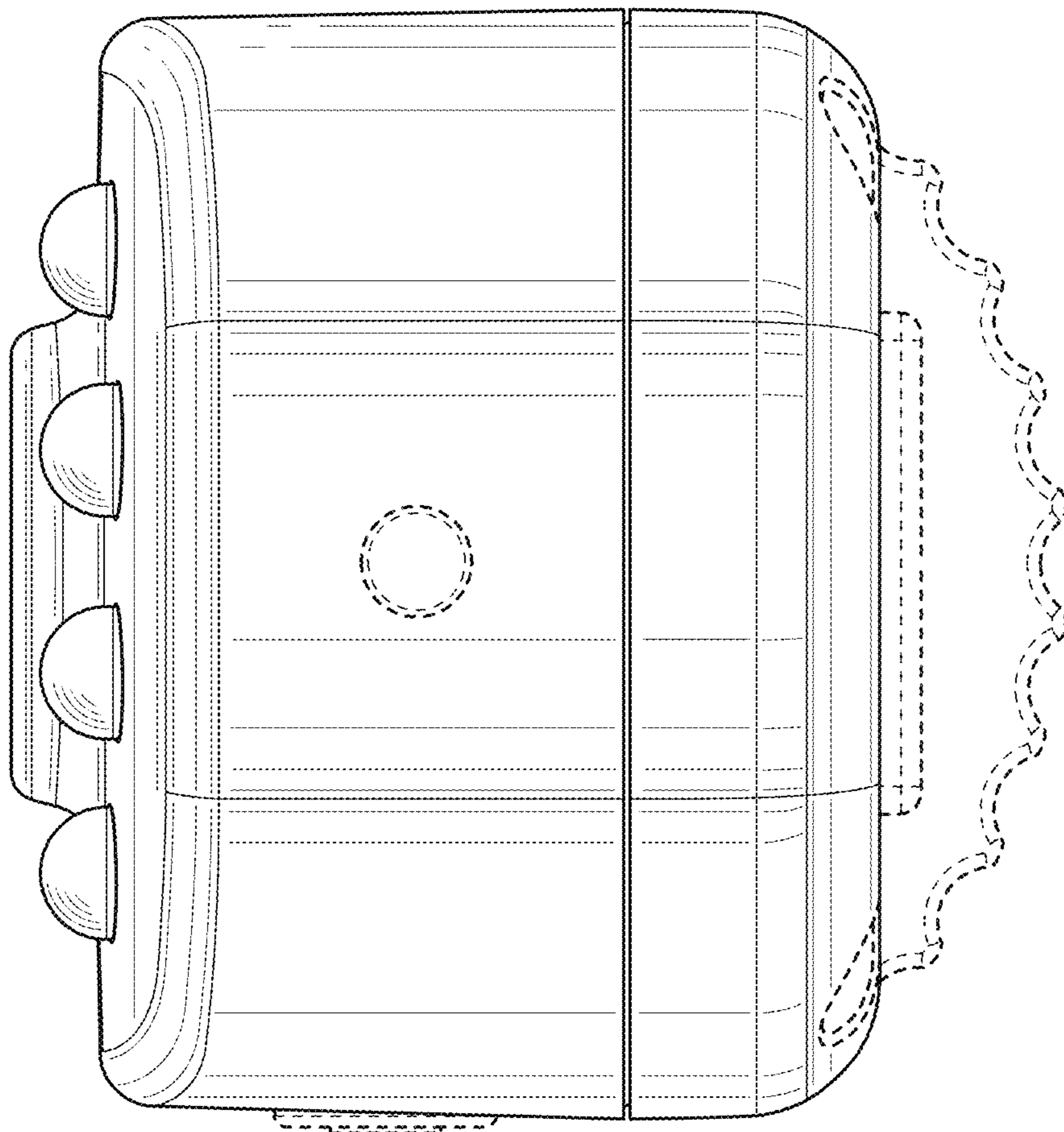


FIG. 5

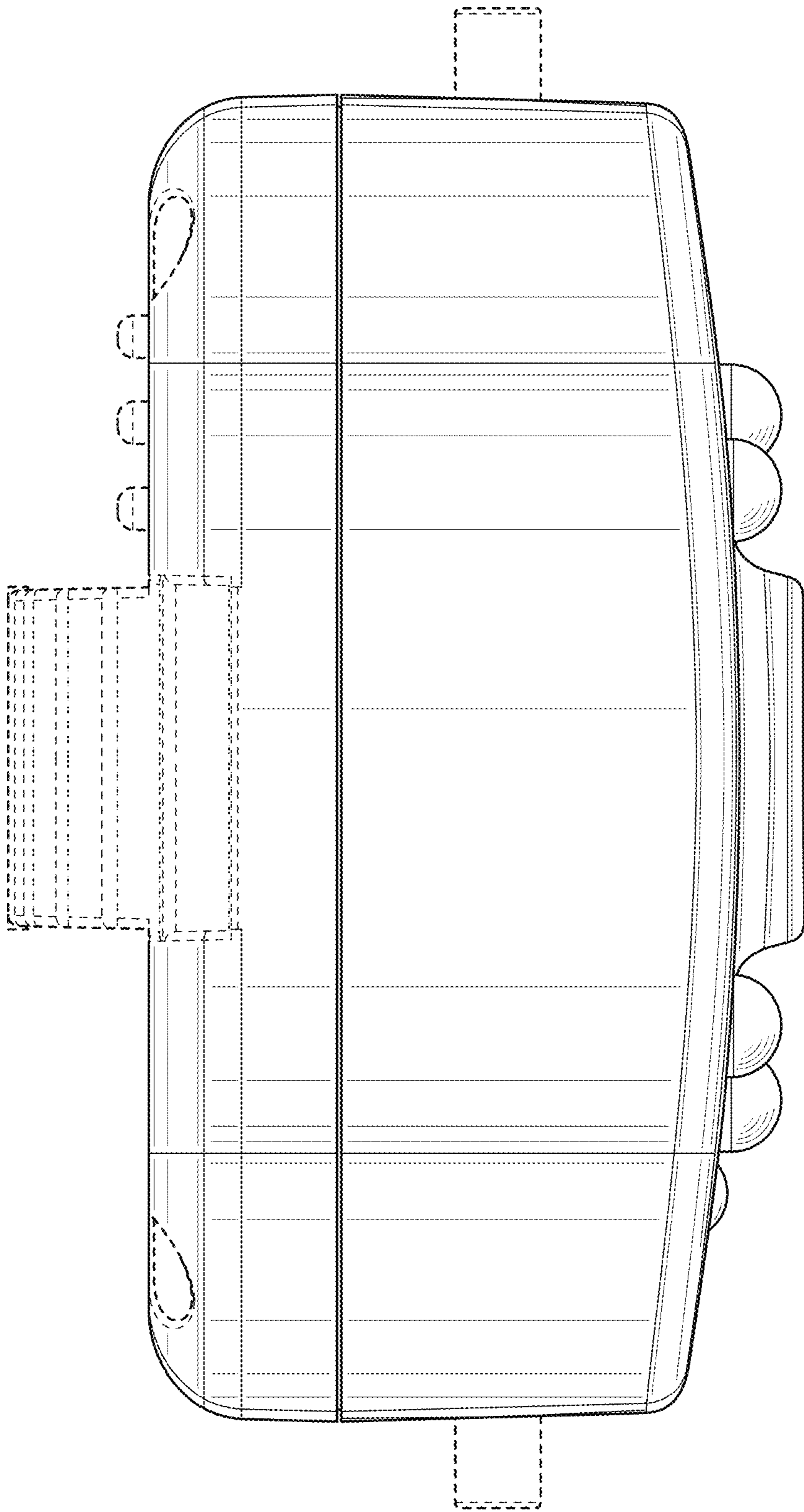


FIG. 6

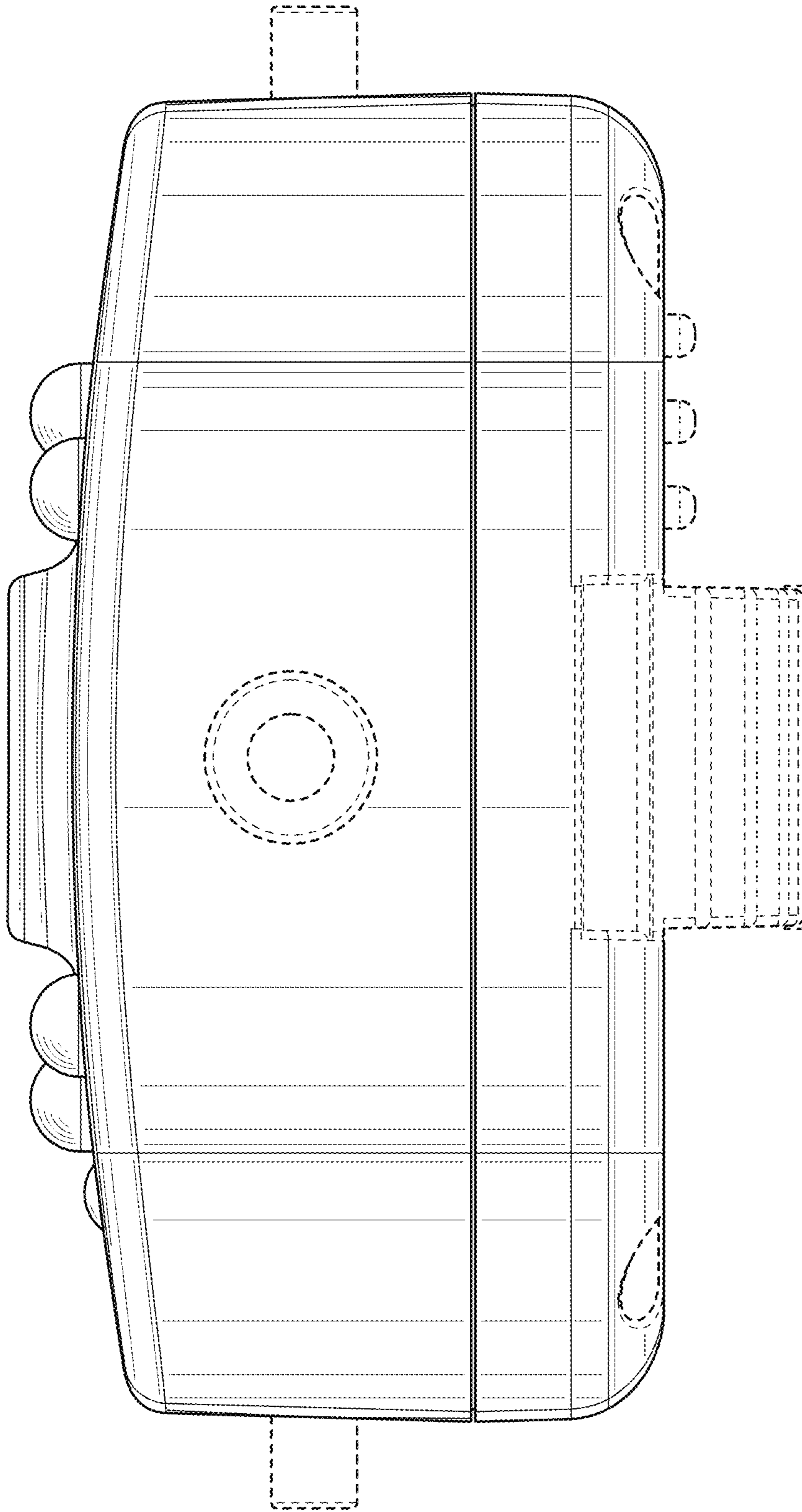


FIG. 7