



US00D865832S

(12) **United States Design Patent**
Apothéloz

(10) **Patent No.:** **US D865,832 S**
(45) **Date of Patent:** **** Nov. 5, 2019**

- (54) **MICROSCOPE**
- (71) Applicant: **Leica Microsystems (Schweiz) AG**,
Heerbrugg (CH)
- (72) Inventor: **Christophe Apothéloz**, Zurich (CH)
- (73) Assignee: **Leica Microsystems (Schweiz) AG**,
Heerbrugg (CH)

- D444,159 S * 6/2001 Hoelbl D16/131
- D457,901 S * 5/2002 Lo D16/131
- D498,247 S * 11/2004 Suzuki D16/131
- D507,006 S * 7/2005 Apotheloz D16/131
- D516,595 S * 3/2006 Apotheloz D16/131
- D540,835 S * 4/2007 Apotheloz D16/131
- D546,355 S * 7/2007 Apotheloz D16/131
- D546,356 S * 7/2007 Apotheloz D16/131
- D546,357 S * 7/2007 Apotheloz D16/135
- D592,689 S * 5/2009 Dunn D16/131

(Continued)

(**) Term: **15 Years**

Primary Examiner — Holly E Thurman

(21) Appl. No.: **29/542,684**

(74) *Attorney, Agent, or Firm* — Crowell & Moring LLP

(22) Filed: **Oct. 16, 2015**

(57) **CLAIM**

The ornamental design for a microscope, as shown and described.

(30) **Foreign Application Priority Data**

DESCRIPTION

Apr. 17, 2015 (EM) 002683813

(51) **LOC (12) Cl.** **16-06**

(52) **U.S. Cl.**
USPC **D16/131**

(58) **Field of Classification Search**
USPC D16/130–136; D22/100, 108, 109, 110,
D22/199; 33/297, 298, 227, 299;
42/111, 112, 113, 122, 130, 134–145,
42/124; 356/29, 139, 2, 250, 251, 252,
356/138; 89/41, 19, 161, 200–204;
350/550; 250/467.1; 359/428, 424

This application contains subject matter related to the following co-pending U.S. design patent applications: Application Ser. No. 29/542,679, filed herewith and entitled “Microscope Stand”; and Application Ser. No. 29/542,681, filed herewith and entitled “Microscope Pivot Unit”; Application Ser. No. 29/542,683, filed herewith and entitled “Microscope Image Sending Unit Housing”; and Application Ser. No. 29/542,687, filed herewith and entitled “Stand and Pivot Unit”.

CPC F41G 3/08
See application file for complete search history.

FIG. 1 is a front view of a microscope according to the design;
FIG. 2 is a left side view thereof;
FIG. 3 is a right side view thereof;
FIG. 4 is a rear view thereof;
FIG. 5 is a front, left perspective view thereof;
FIG. 6 is a top view thereof; and,
FIG. 7 is a bottom view thereof.

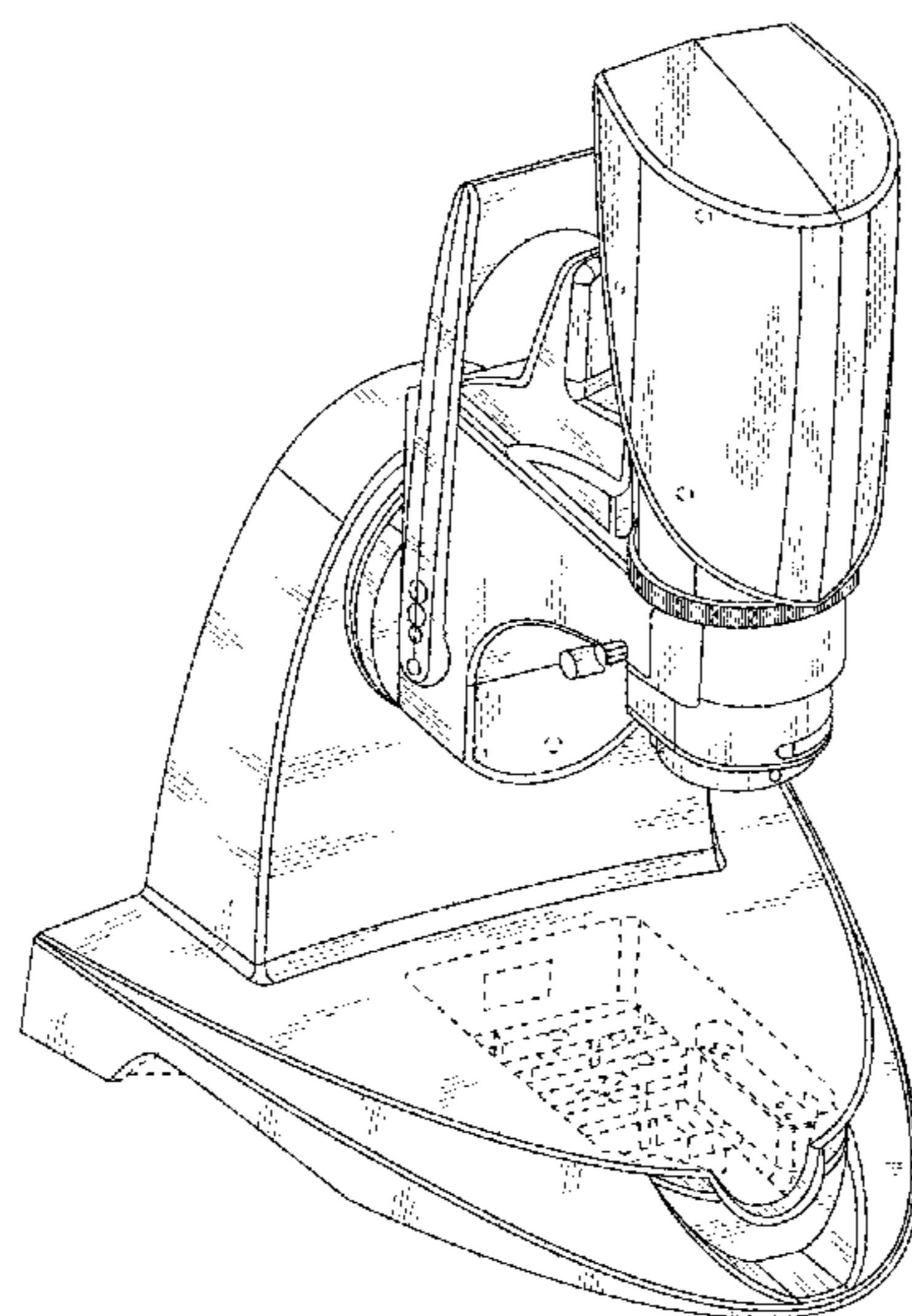
(56) **References Cited**

U.S. PATENT DOCUMENTS

- 2,101,928 A * 12/1937 Bausch G02B 21/241
359/383
- D389,163 S * 1/1998 Hofmann-Igl D16/131
- D400,548 S * 11/1998 Komatsuzaki D16/131
- D425,921 S * 5/2000 Holbl D16/131
- D429,265 S * 8/2000 Holbl D16/131

The broken lines depict parts of the microscope that form no part of the claimed design.

1 Claim, 7 Drawing Sheets



(56)

References Cited

U.S. PATENT DOCUMENTS

D633,539 S *	3/2011	Kung	D16/131
2016/0100136 A1 *	4/2016	Marte	F16M 11/06 348/79

* cited by examiner

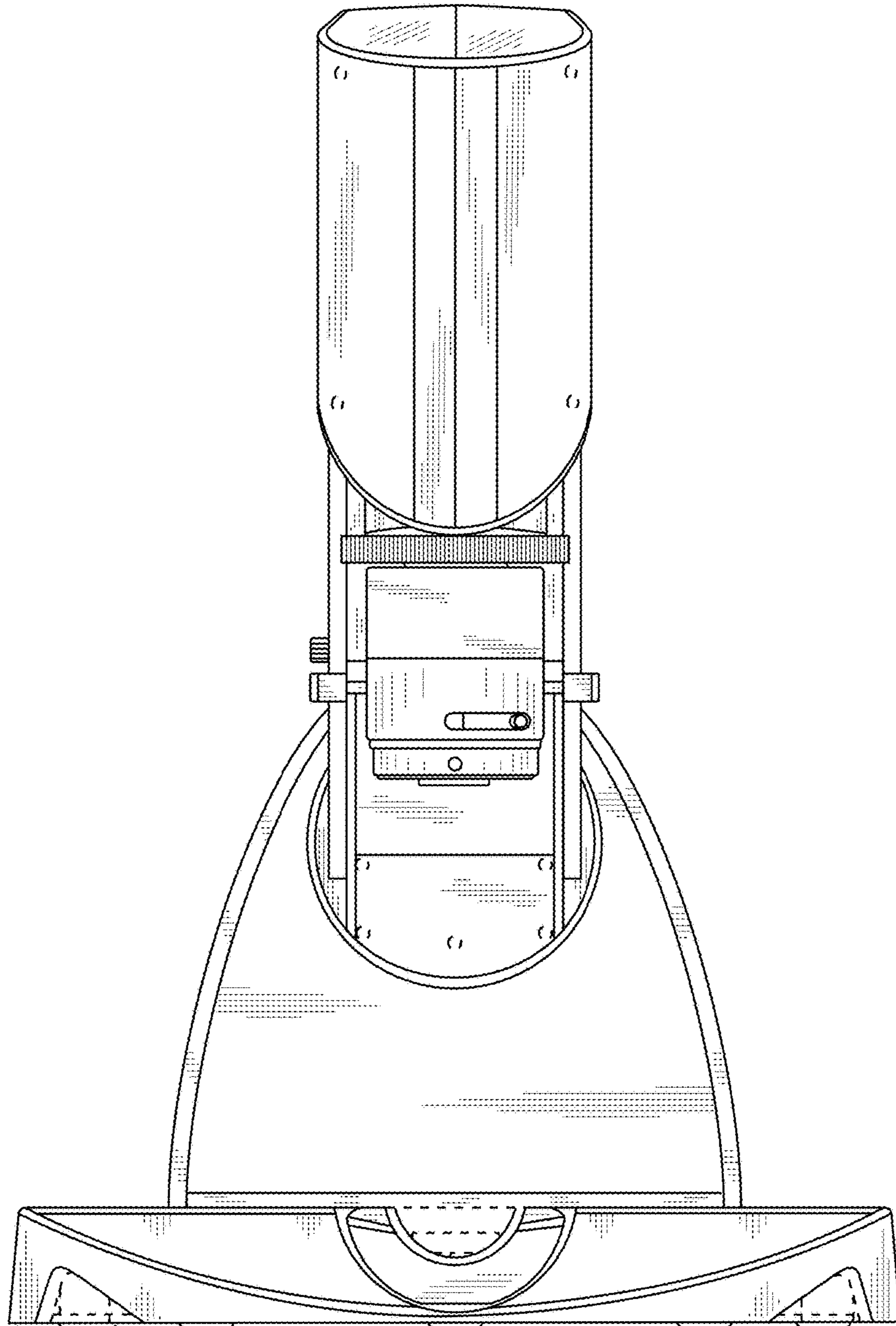


FIG. 1

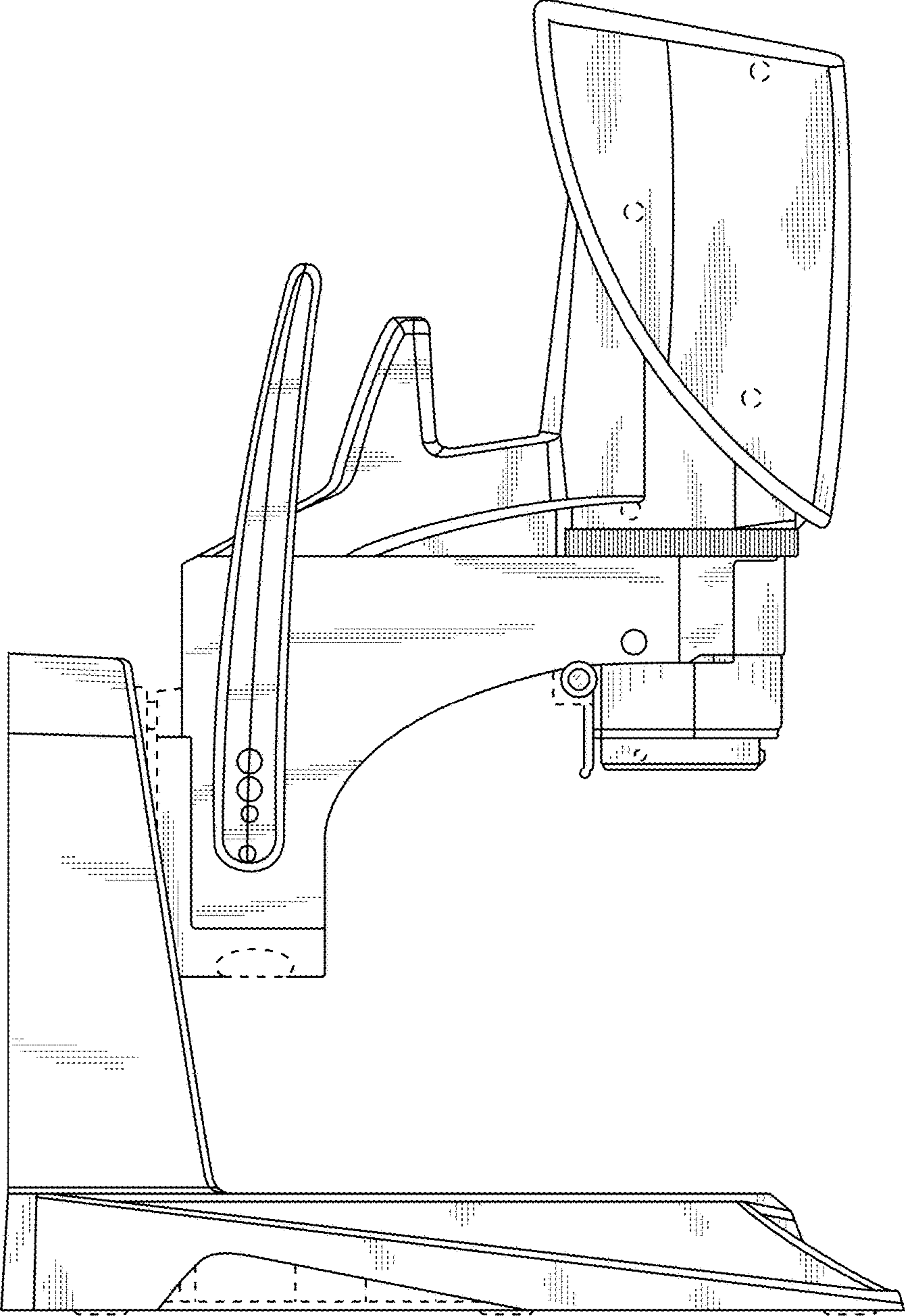


FIG. 2

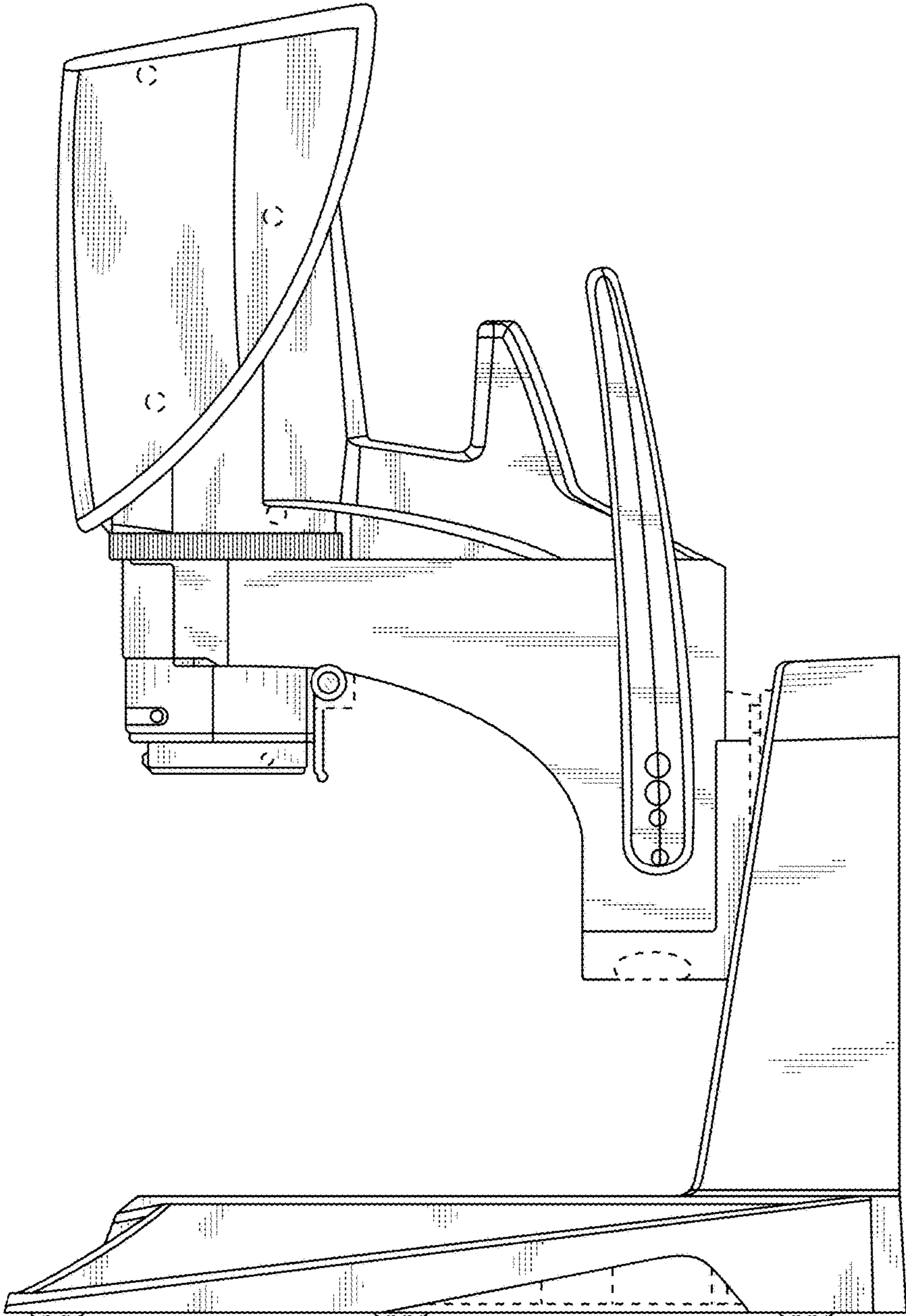


FIG. 3

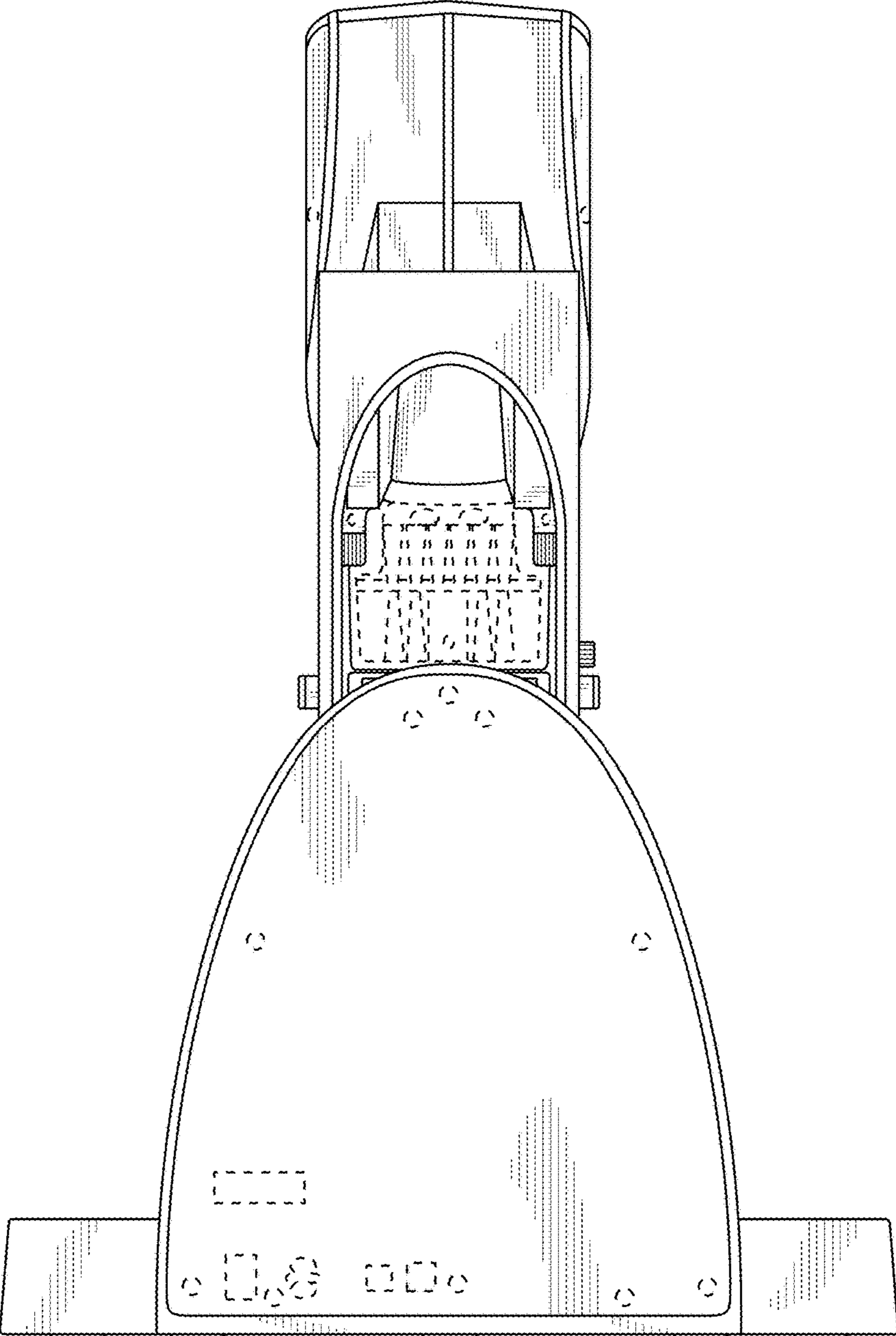


FIG. 4

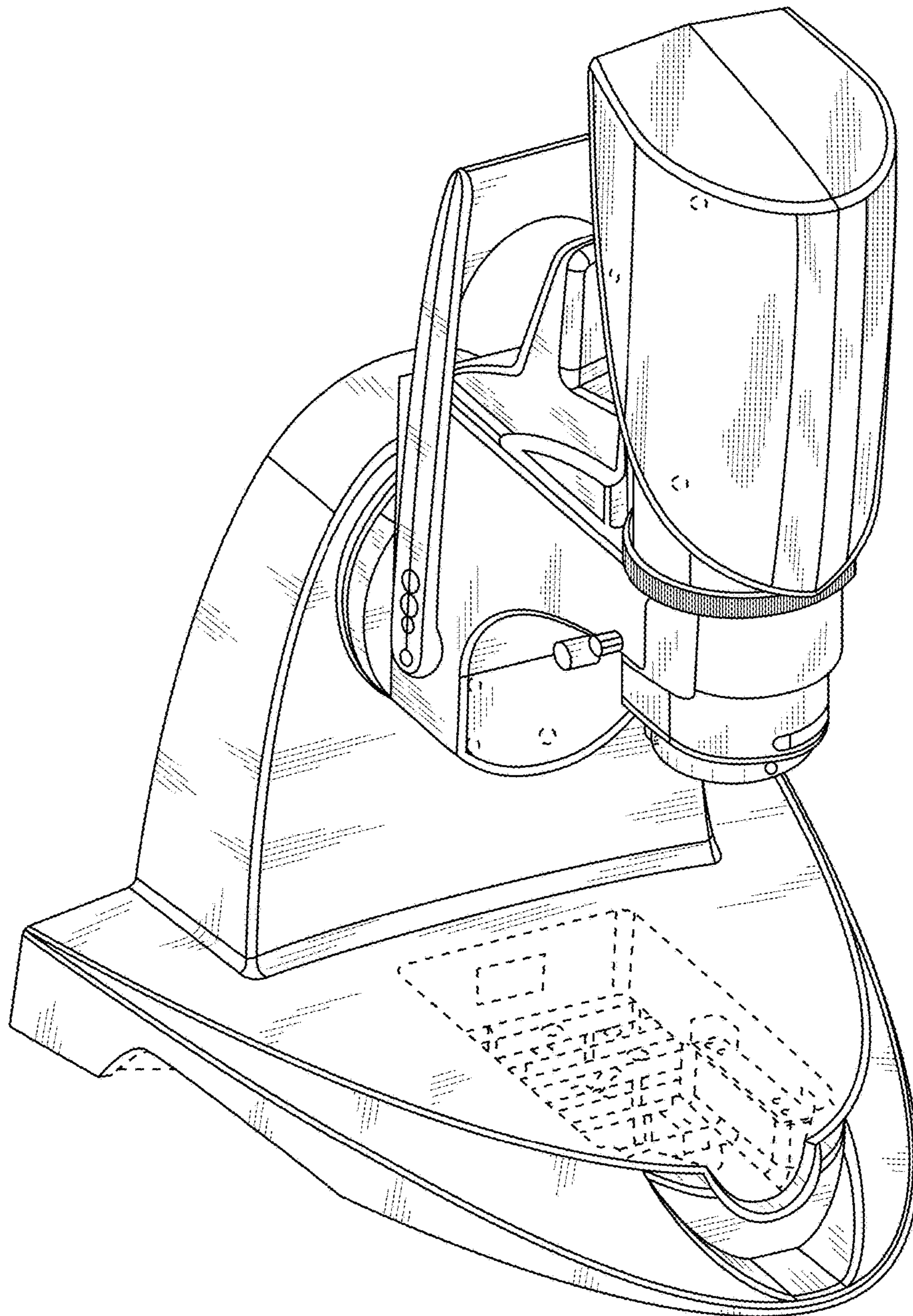


FIG. 5

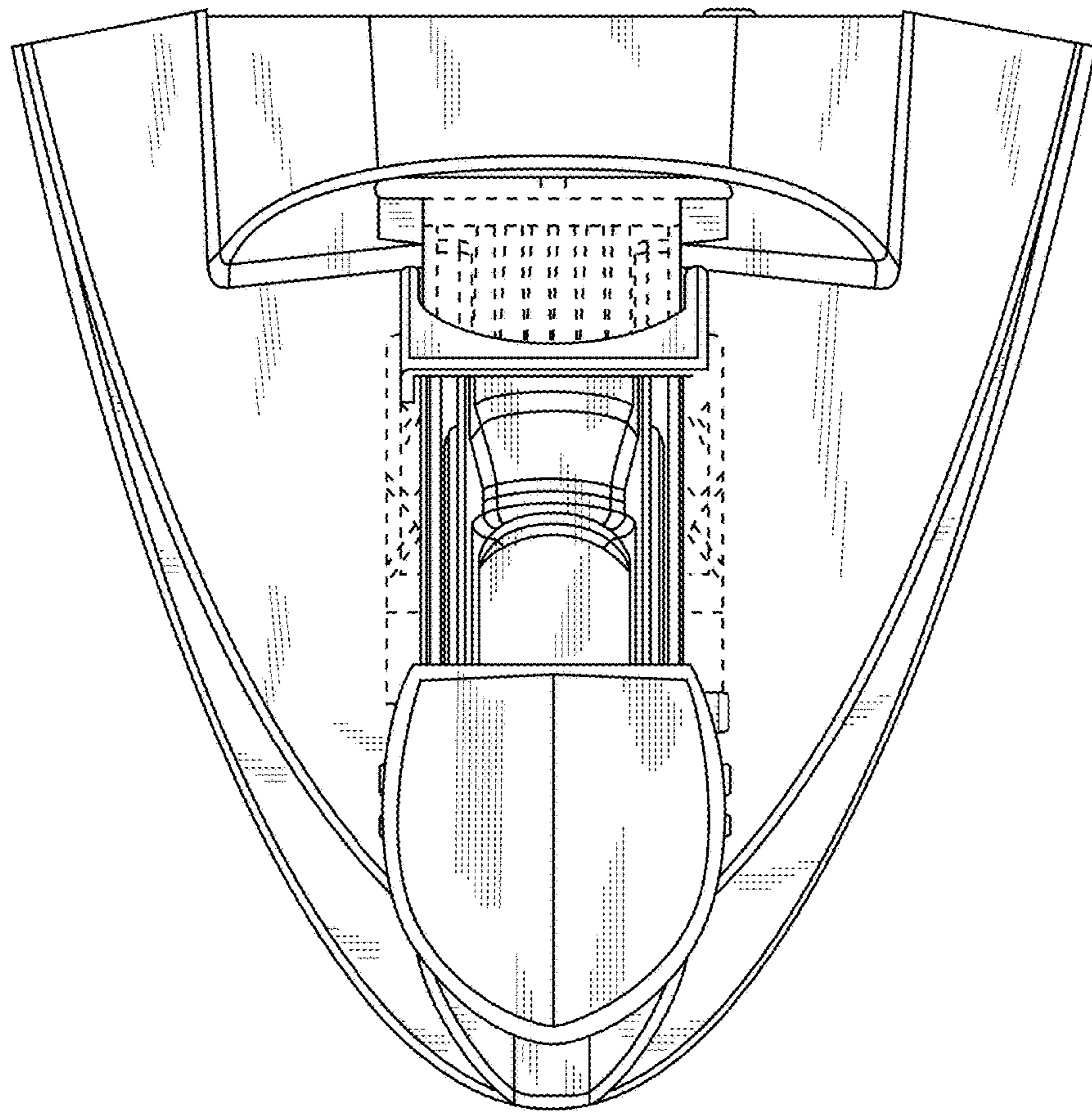


FIG. 6

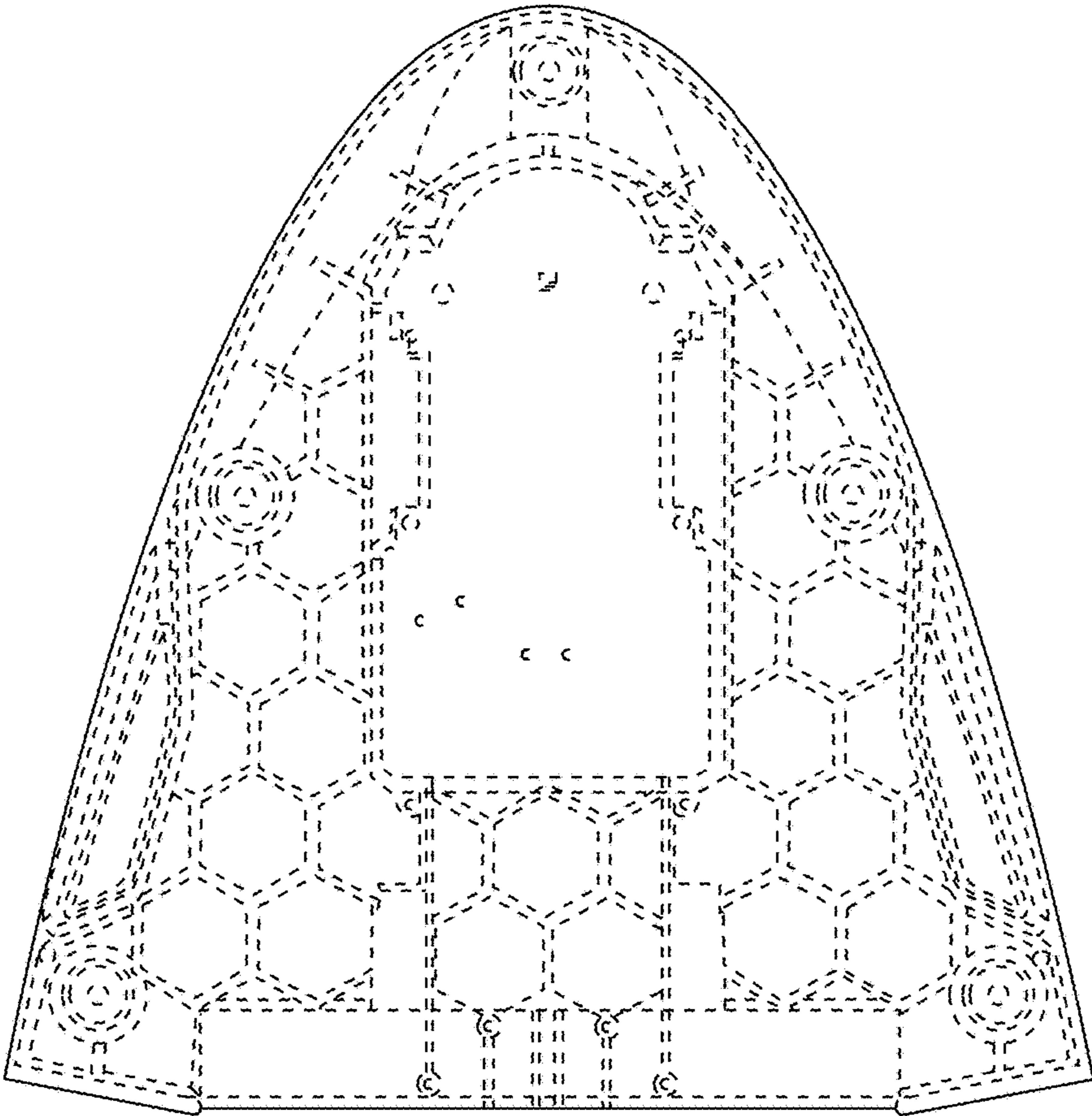


FIG. 7