



US00D865831S

(12) **United States Design Patent** (10) **Patent No.:** **US D865,831 S**
Kawaguchi et al. (45) **Date of Patent:** **** Nov. 5, 2019**

- (54) **MANIPULATOR FOR ROBOT**
- (71) Applicant: **MITSUBISHI ELECTRIC CORPORATION**, Tokyo (JP)
- (72) Inventors: **Noboru Kawaguchi**, Tokyo (JP); **Hidetaka Yamauchi**, Tokyo (JP); **Tomoya Hattori**, Tokyo (JP); **Koji Hirose**, Tokyo (JP)
- (73) Assignee: **Mitsubishi Electric Corporation**, Tokyo (JP)
- (**) Term: **15 Years**
- (21) Appl. No.: **29/678,707**
- (22) Filed: **Jan. 30, 2019**

Related U.S. Application Data

- (62) Division of application No. 29/633,286, filed on Jan. 12, 2018.

(30) **Foreign Application Priority Data**

Jul. 18, 2017 (JP) 2017-015414
 Jul. 18, 2017 (JP) 2017-015416

- (51) **LOC (12) Cl.** **15-99**
- (52) **U.S. Cl.**
USPC **D15/199**
- (58) **Field of Classification Search**
USPC D15/199; D21/369, 578-583, 621, 622
CPC B25J 15/10; B25J 15/086; B25J 15/0009;
Y10S 901/38; Y10S 901/39
See application file for complete search history.

(56) **References Cited**

U.S. PATENT DOCUMENTS

5,447,403 A 9/1995 Engler, Jr.
 8,936,289 B1 1/2015 Kozlowski et al.

9,814,604 B2 11/2017 Jury
 D812,122 S 3/2018 Clerc et al.
 D846,613 S * 4/2019 Kawaguchi D15/199
 D846,614 S * 4/2019 Kawaguchi D15/199
 D846,615 S * 4/2019 Kawaguchi D15/199
 D847,243 S * 4/2019 Kawaguchi D15/199
 D847,244 S * 4/2019 Kawaguchi D15/199
 2004/0054424 A1 3/2004 Matsuda
 2006/0158146 A1 7/2006 Tadano
 2007/0236162 A1 10/2007 Kawabuchi et al.
 2008/0127768 A1 6/2008 Shirai et al.
 2009/0015026 A1 1/2009 Matsuda et al.

(Continued)

Primary Examiner — Patricia A Palasik

(74) *Attorney, Agent, or Firm* — Studebaker & Brackett PC

(57) **CLAIM**

The ornamental design for a manipulator for robot, as shown and described.

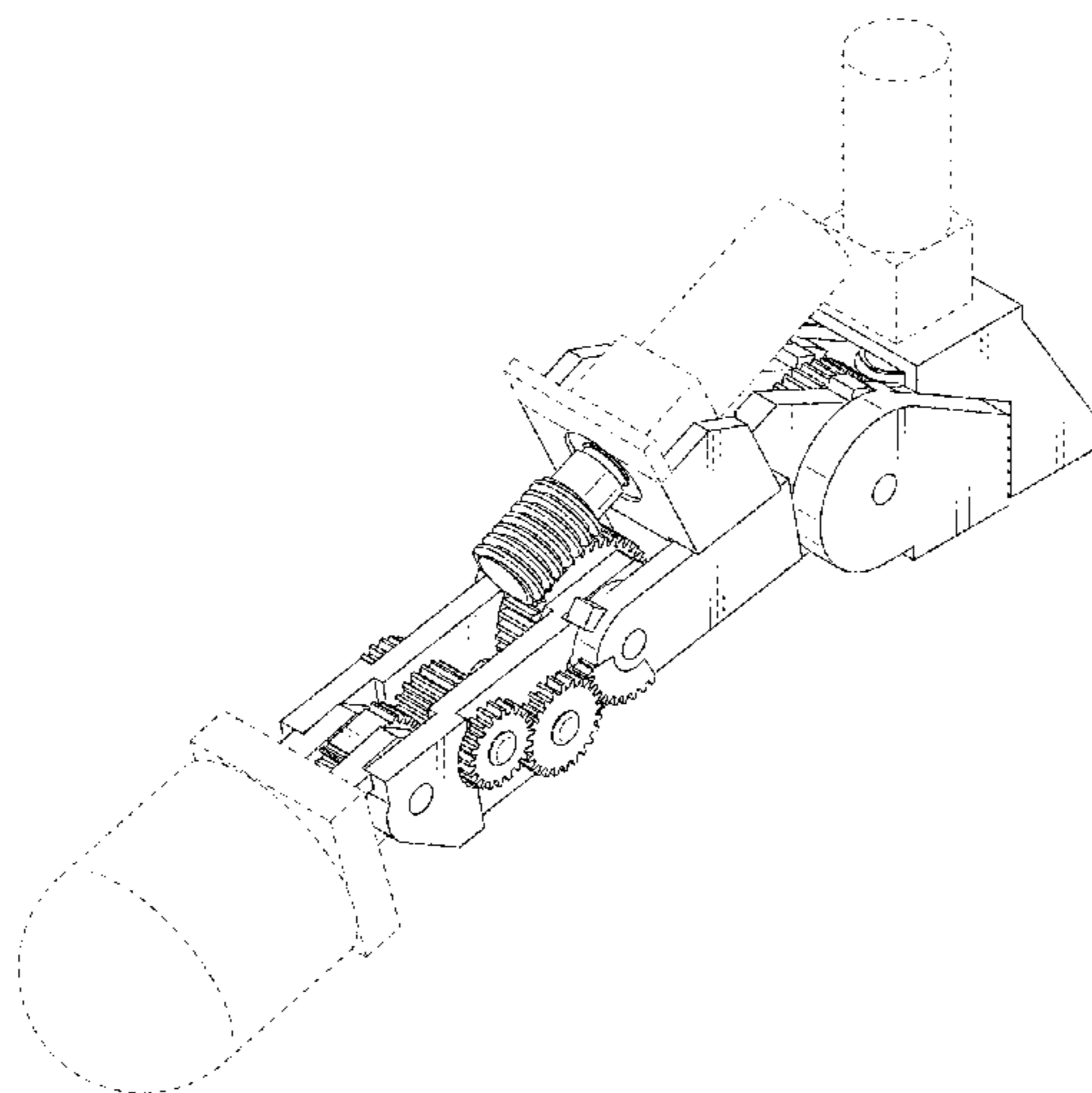
DESCRIPTION

FIG. 1. is a front perspective view of the front, left, and top sides of a manipulator for robot showing our new design; FIG. 2. is a rear perspective view of the rear, right, and bottom sides thereof; FIG. 3. is a front view thereof; FIG. 4. is a rear view thereof; FIG. 5. is a left side view thereof; FIG. 6. is a right side view thereof; FIG. 7. is a top plan view thereof; FIG. 8. is a bottom plan view thereof; and, FIG. 9. is a front view showing a state where a hinge angle is changed.

The broken lines shown represent unclaimed subject matter of the manipulator for robot or environments and form no part of the claimed design.

The dash-dot lines represent the boundary between the claimed design and unclaimed design and form no part of the claimed design.

1 Claim, 7 Drawing Sheets



(56)

References Cited

U.S. PATENT DOCUMENTS

2009/0114054 A1 5/2009 Horiuchi et al.
2010/0005918 A1 1/2010 Mizuno et al.
2010/0116079 A1 5/2010 Ihrke et al.
2010/0176615 A1 7/2010 Okuda et al.
2010/0259057 A1 10/2010 Madhani
2011/0040408 A1 2/2011 De La Rosa Tames et al.
2011/0257765 A1 10/2011 Evans et al.
2012/0068486 A1 3/2012 Kim et al.
2012/0205932 A1 8/2012 Nammoto et al.
2014/0007730 A1 1/2014 DeLouis
2014/0103673 A1 4/2014 Nammoto et al.
2014/0107805 A1 4/2014 Varley
2014/0132018 A1 5/2014 Claffée et al.
2014/0159407 A1 6/2014 Neff et al.
2014/0197652 A1 7/2014 Wang et al.
2014/0232124 A1 8/2014 Dan et al.
2015/0216679 A1 8/2015 Lipsey et al.
2015/0230941 A1 8/2015 Jury
2015/0257903 A1 9/2015 Perry et al.
2016/0008146 A1 1/2016 Nagatsuka et al.
2016/0263748 A1 9/2016 Nagatsuka et al.
2016/0278872 A1 9/2016 Gombert et al.
2017/0151679 A1 6/2017 Wong et al.
2018/0140441 A1 5/2018 Poirters
2018/0272541 A1 9/2018 Salisbury et al.
2018/0311827 A1 11/2018 Bicchi et al.

* cited by examiner

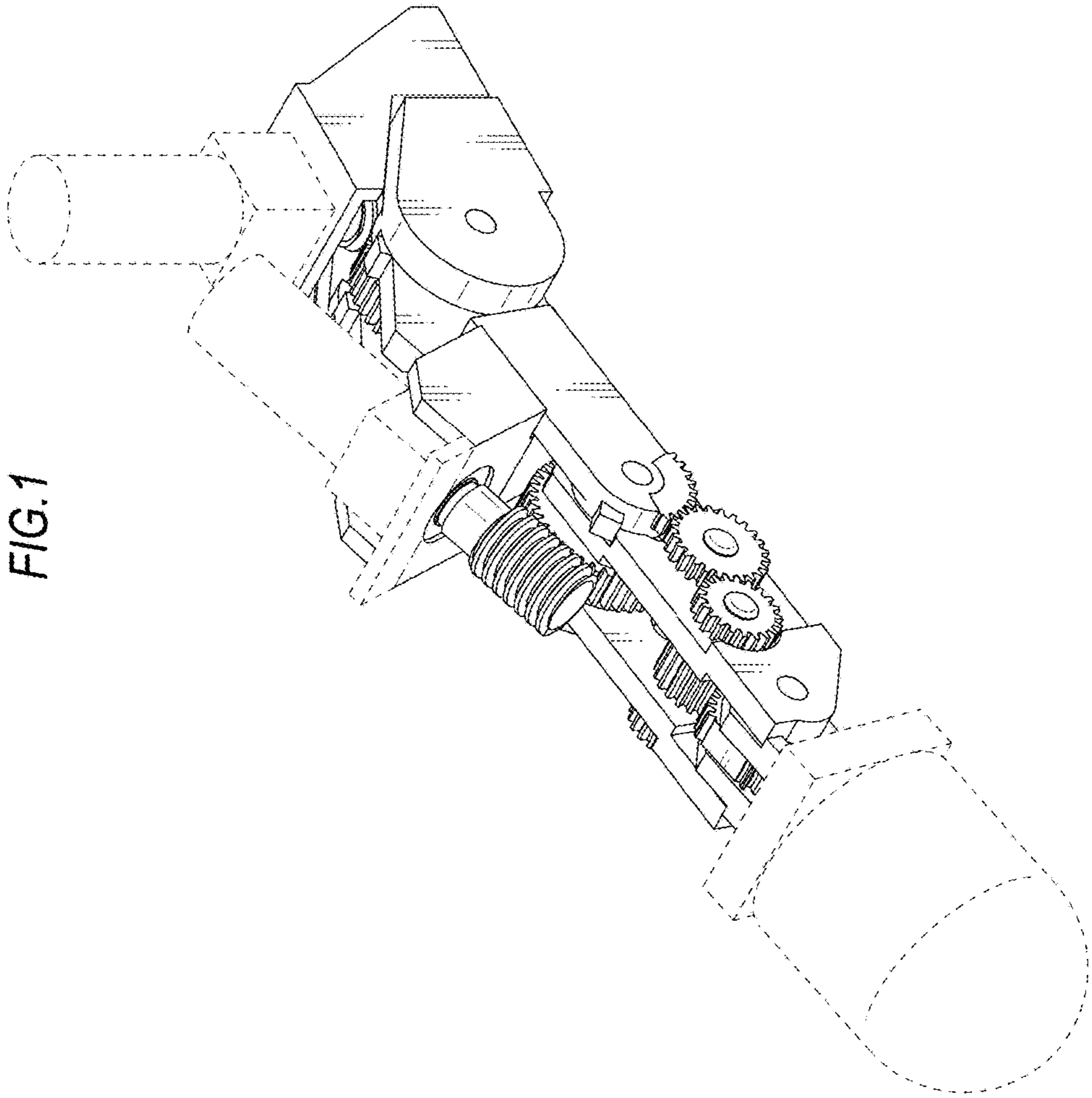


FIG. 1

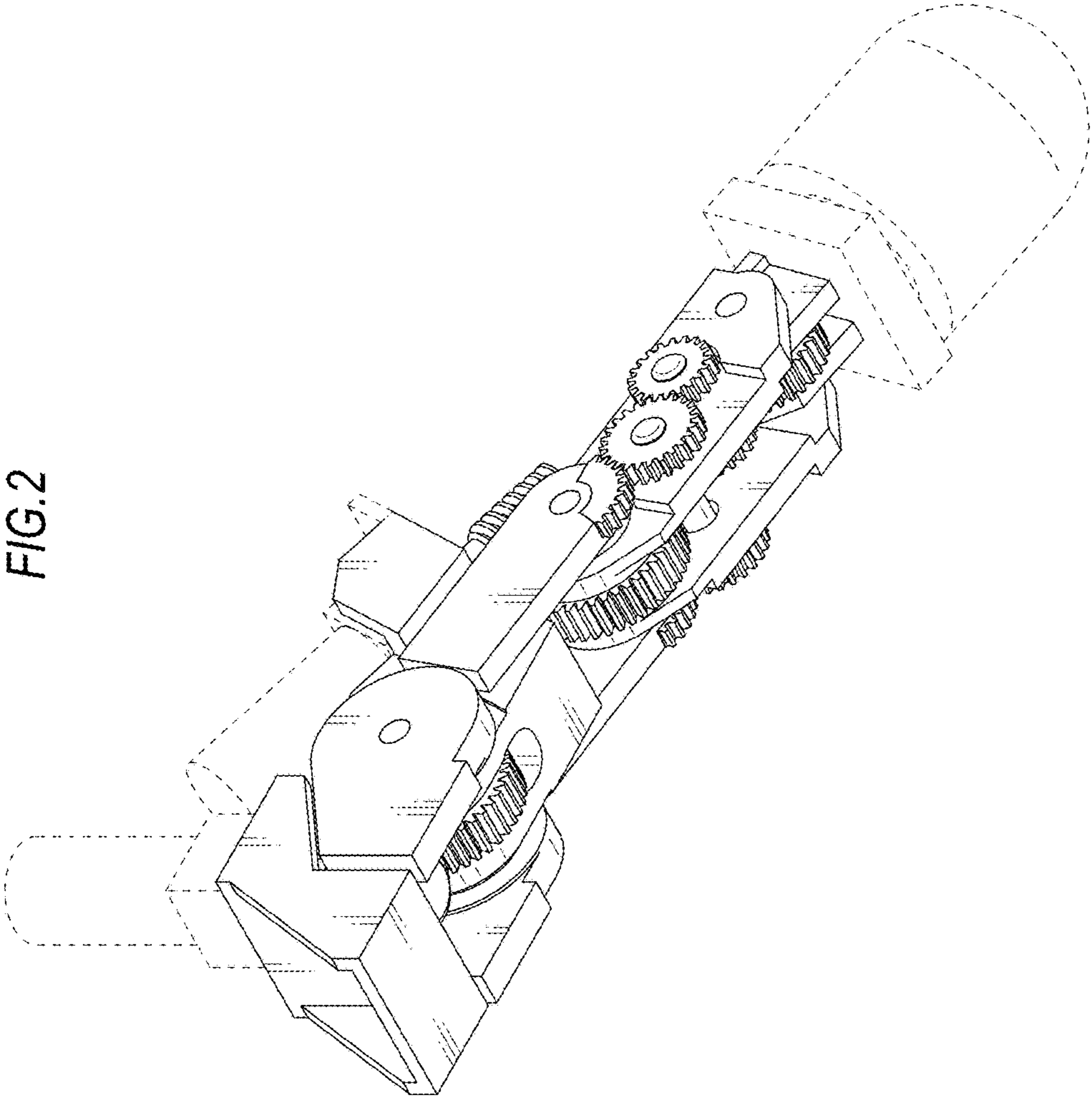


FIG. 2

FIG.3

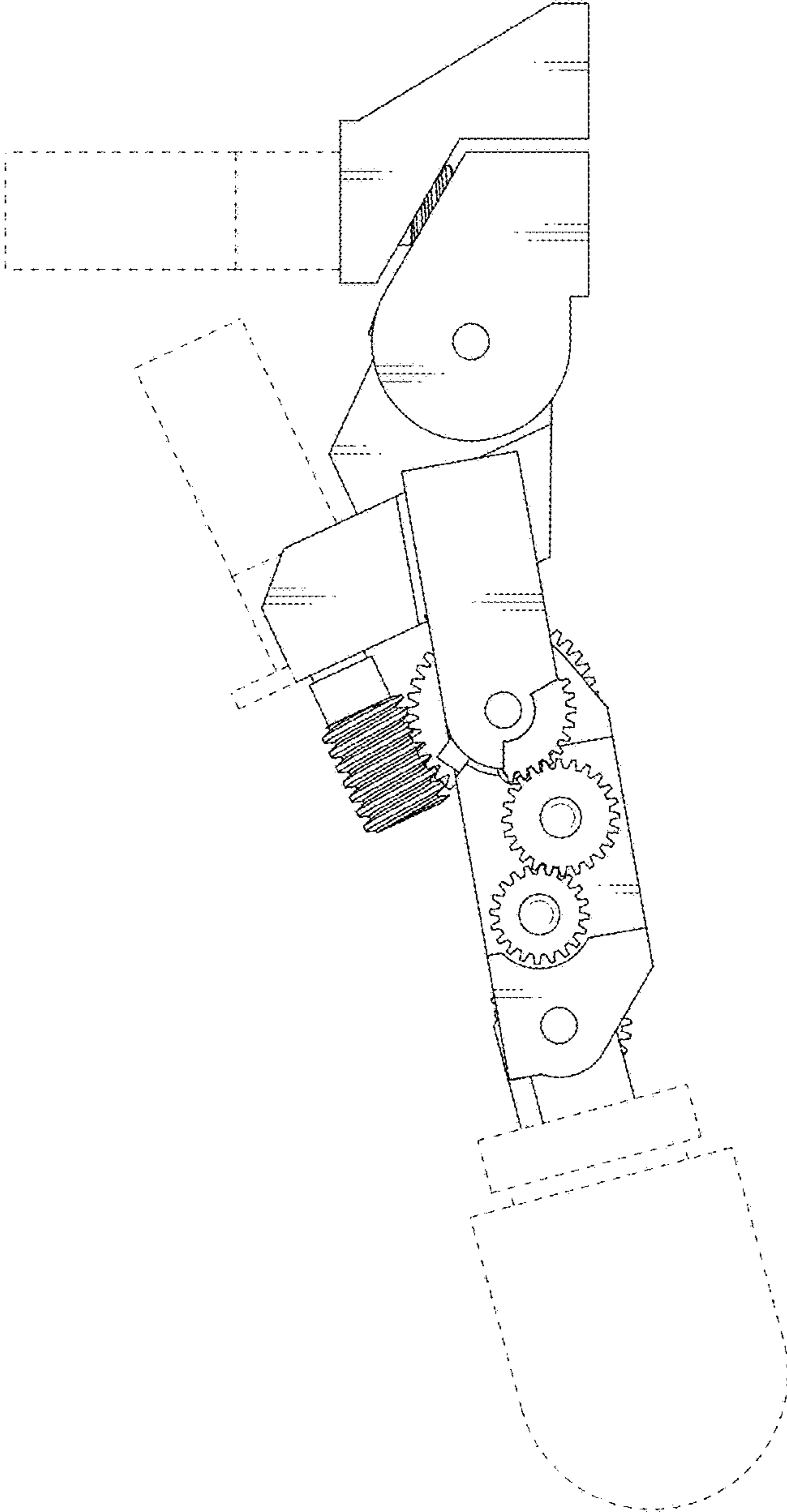


FIG.4

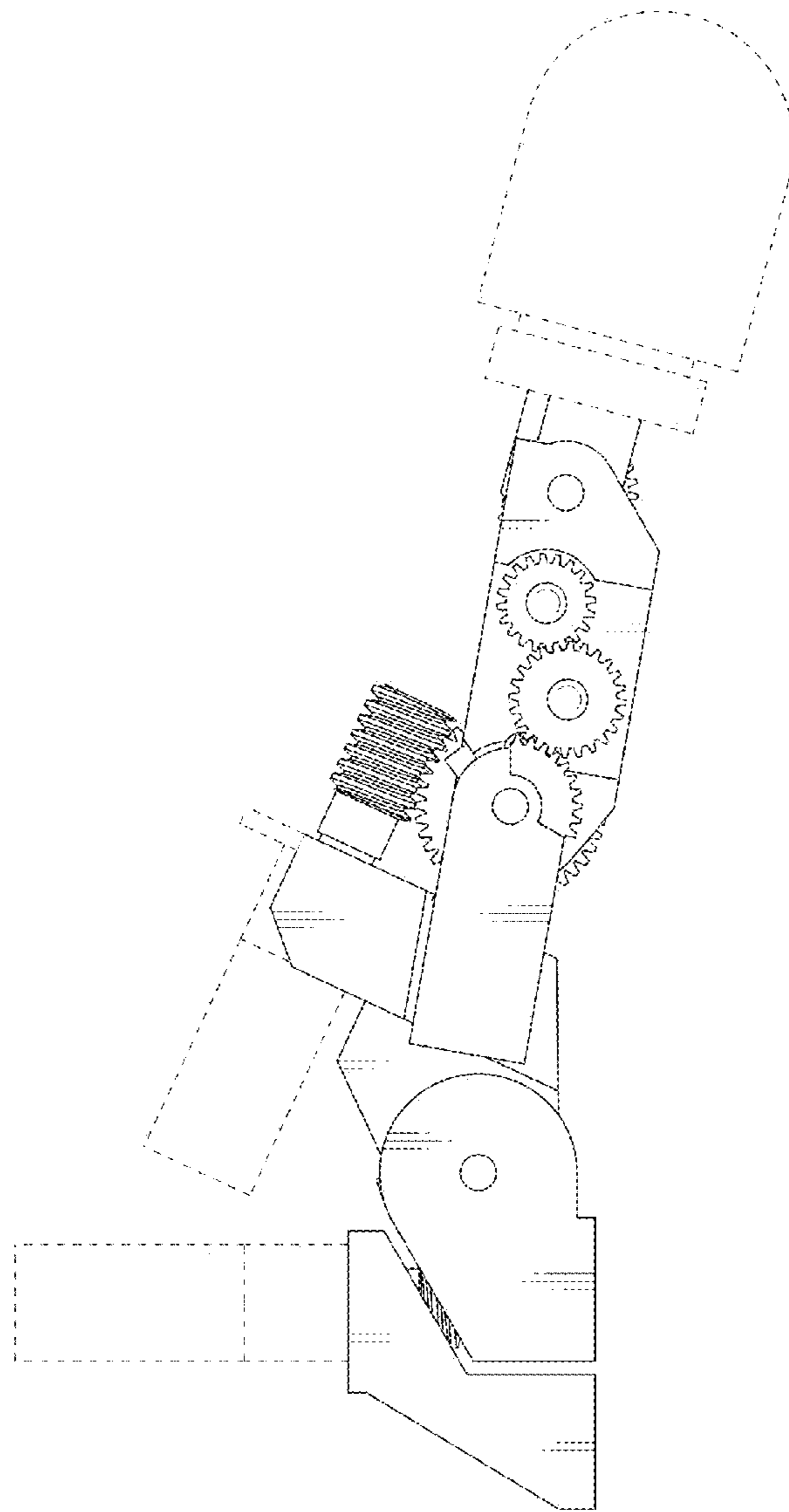


FIG.6

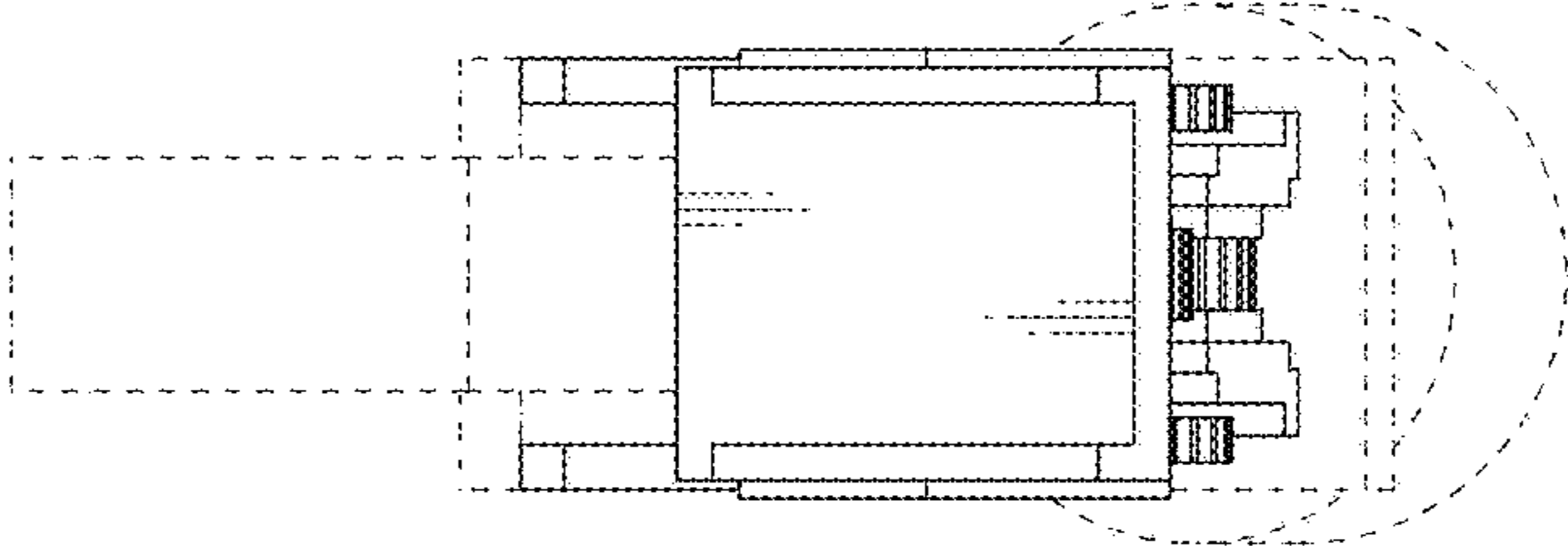


FIG.5

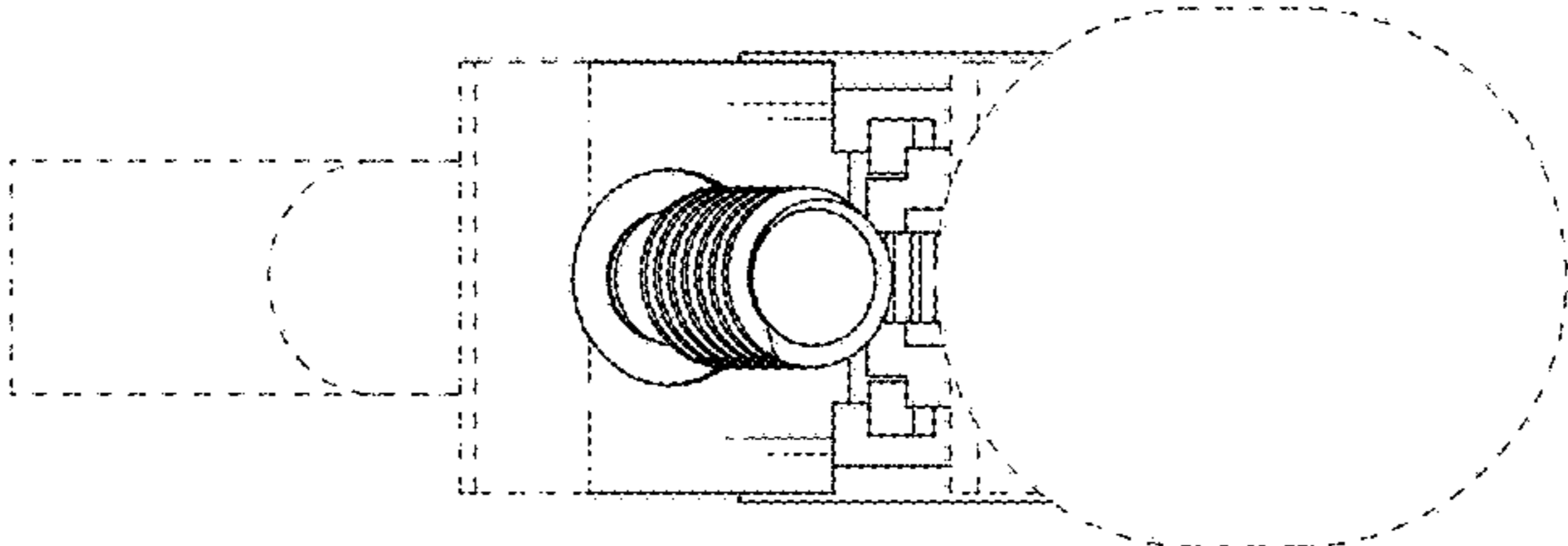


FIG.7

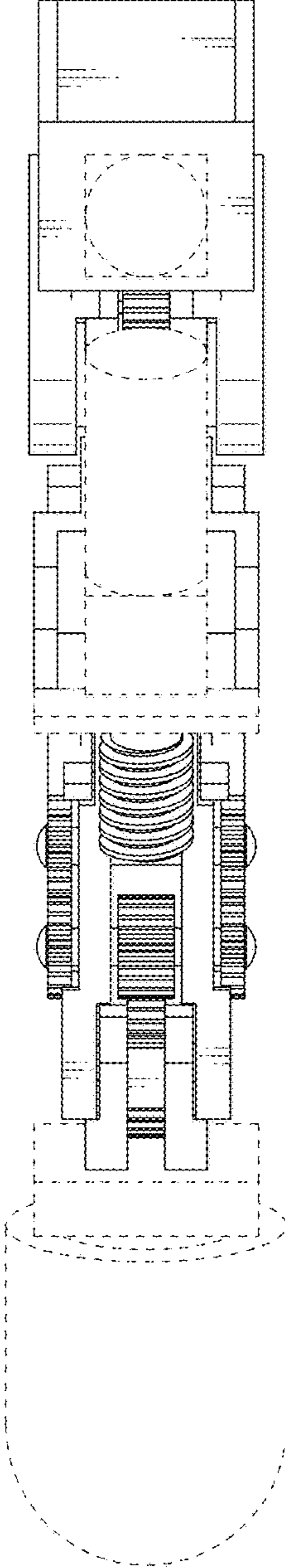


FIG.8

