



US00D865828S

(12) **United States Design Patent** (10) **Patent No.:** **US D865,828 S**
Bogart et al. (45) **Date of Patent:** **** Nov. 5, 2019**

- (54) **MANUFACTURING ROBOT**
- (71) Applicants: **Zac Bogart**, Santa Barbara, CA (US);
John Trengove, Laguna Beach, CA (US)
- (72) Inventors: **Zac Bogart**, Santa Barbara, CA (US);
John Trengove, Laguna Beach, CA (US)
- (73) Assignee: **Productive Robotics, Inc.**, Carpinteria, CA (US)
- (**) Term: **15 Years**
- (21) Appl. No.: **29/641,334**
- (22) Filed: **Mar. 21, 2018**
- (51) **LOC (12) Cl.** **15-99**
- (52) **U.S. Cl.**
USPC **D15/199**
- (58) **Field of Classification Search**
USPC D15/122, 199; D21/578-583, 621, 622;
D23/259, 262, 263
CPC A63H 3/00; B25J 9/00; B25J 9/104; B25J 9/161; B25J 9/1617; G05B 19/00; G05B 2219/33105; G05B 2219/36433; G05B 2219/39335; G05B 2219/39427; G05B 2219/40304; G06C 7/60; G06N 3/00; G06N 3/004; G06N 3/006; G06N 3/008; G06N 5/00
See application file for complete search history.

- (56) **References Cited**
U.S. PATENT DOCUMENTS
D461,484 S * 8/2002 Kraft D15/199
D646,703 S * 10/2011 Wong D15/199
D650,820 S * 12/2011 Long D15/199
D655,324 S * 3/2012 Wong D15/199
D670,319 S * 11/2012 Liu D15/199
D677,294 S * 3/2013 Long D15/199

- D692,041 S * 10/2013 Selic D15/199
- D716,357 S * 10/2014 Gombert D15/199
- D761,339 S * 7/2016 White, Jr. D15/199
- D766,348 S * 9/2016 Long D15/199
- D776,178 S * 1/2017 Ries D15/199
- D802,041 S * 11/2017 He D15/199
- D824,977 S * 8/2018 Everman D15/199
- D830,439 S * 10/2018 Park D15/199
- 2010/0131099 A1 * 5/2010 Birkenbach G05B 19/402
700/254
- 2011/0064554 A1 * 3/2011 Ito B25J 9/047
414/735
- 2011/0107866 A1 * 5/2011 Oka B25J 9/0084
74/490.03
- 2013/0116821 A1 * 5/2013 Joly B25J 9/161
700/254
- 2013/0125694 A1 * 5/2013 Long B25J 11/0075
74/490.01
- 2014/0102239 A1 * 4/2014 Umeno B25J 15/0033
74/490.01

(Continued)

Primary Examiner — Patricia A Palasik
(74) *Attorney, Agent, or Firm* — Arthur Freilich

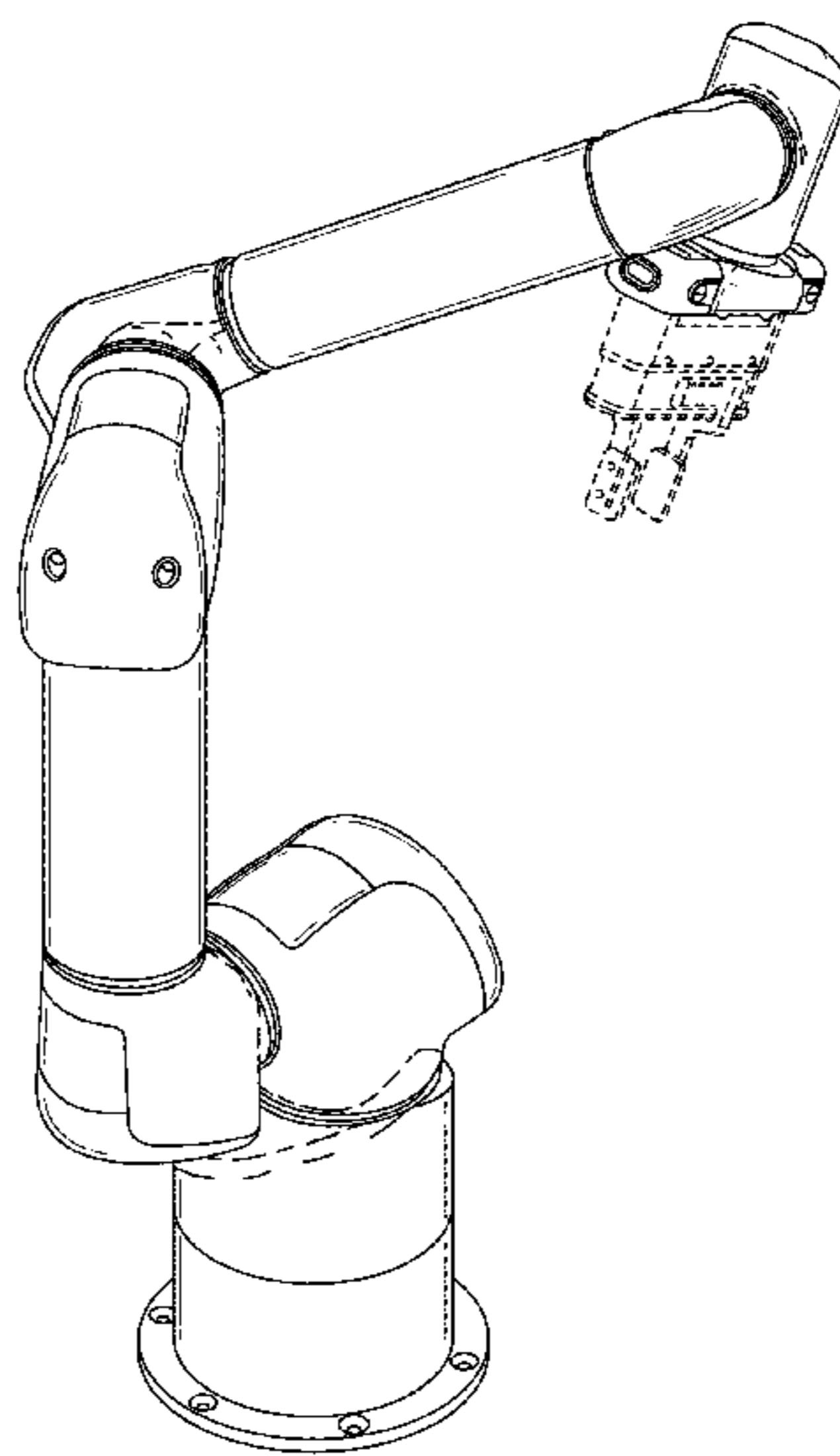
(57) **CLAIM**

The ornamental design for a manufacturing robot, as shown and described.

DESCRIPTION

FIG. 1 is a perspective views of a manufacturing robot incorporating the subject design;
FIG. 2 is a left-side view of the robot;
FIG. 3 is a front-side view;
FIG. 4 is a right-side view;
FIG. 5 is a rear view;
FIG. 6 is a top view; and,
FIG. 7 is a bottom view.
The broken lines in the drawings depict portions of the manufacturing robot which form no part of the claimed design.

1 Claim, 7 Drawing Sheets



(56)

References Cited

U.S. PATENT DOCUMENTS

2014/0137687 A1* 5/2014 Nogami B25J 18/00
74/490.03
2016/0331482 A1* 11/2016 Hares B25J 9/1689

* cited by examiner

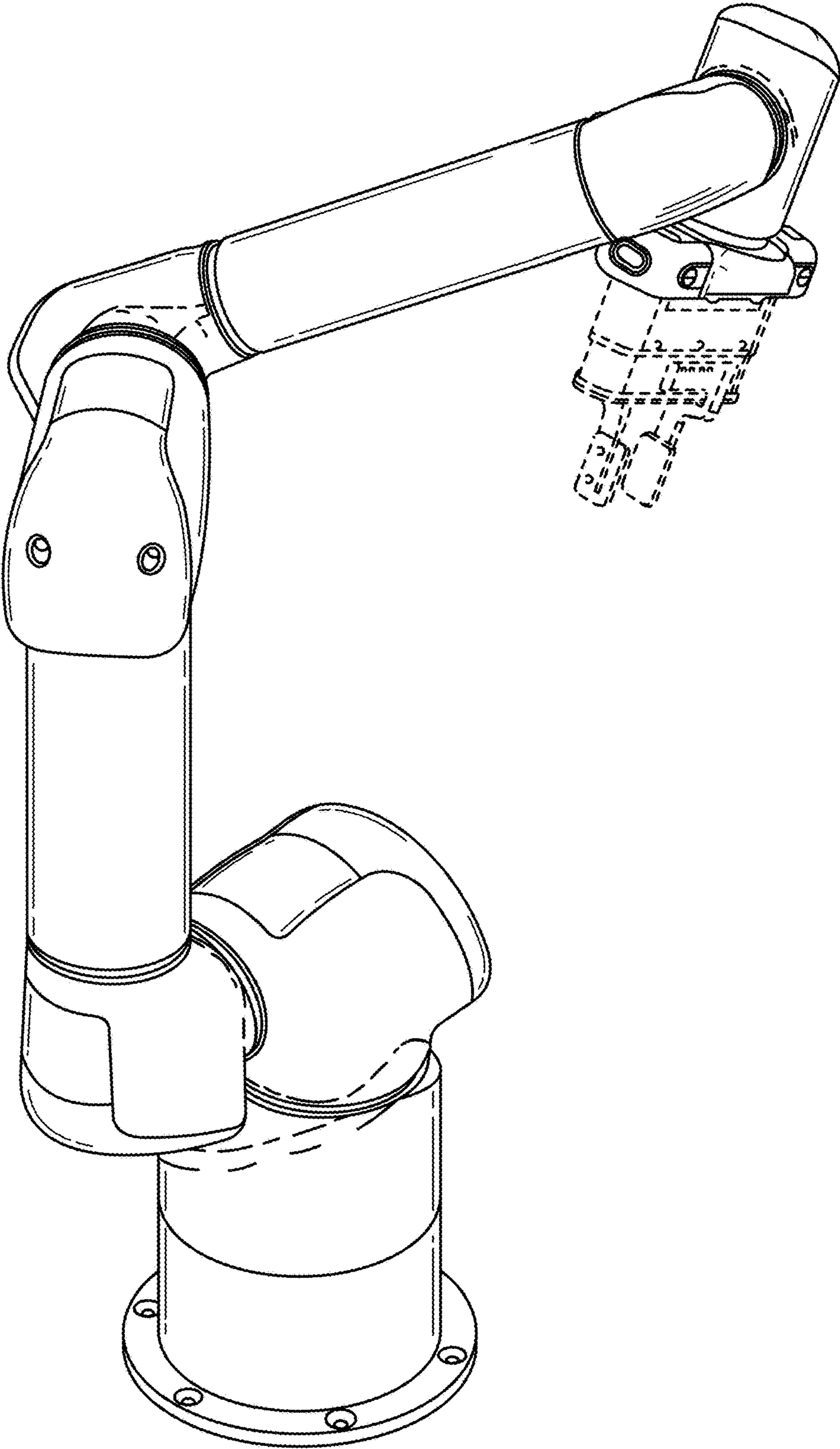


FIG. 1

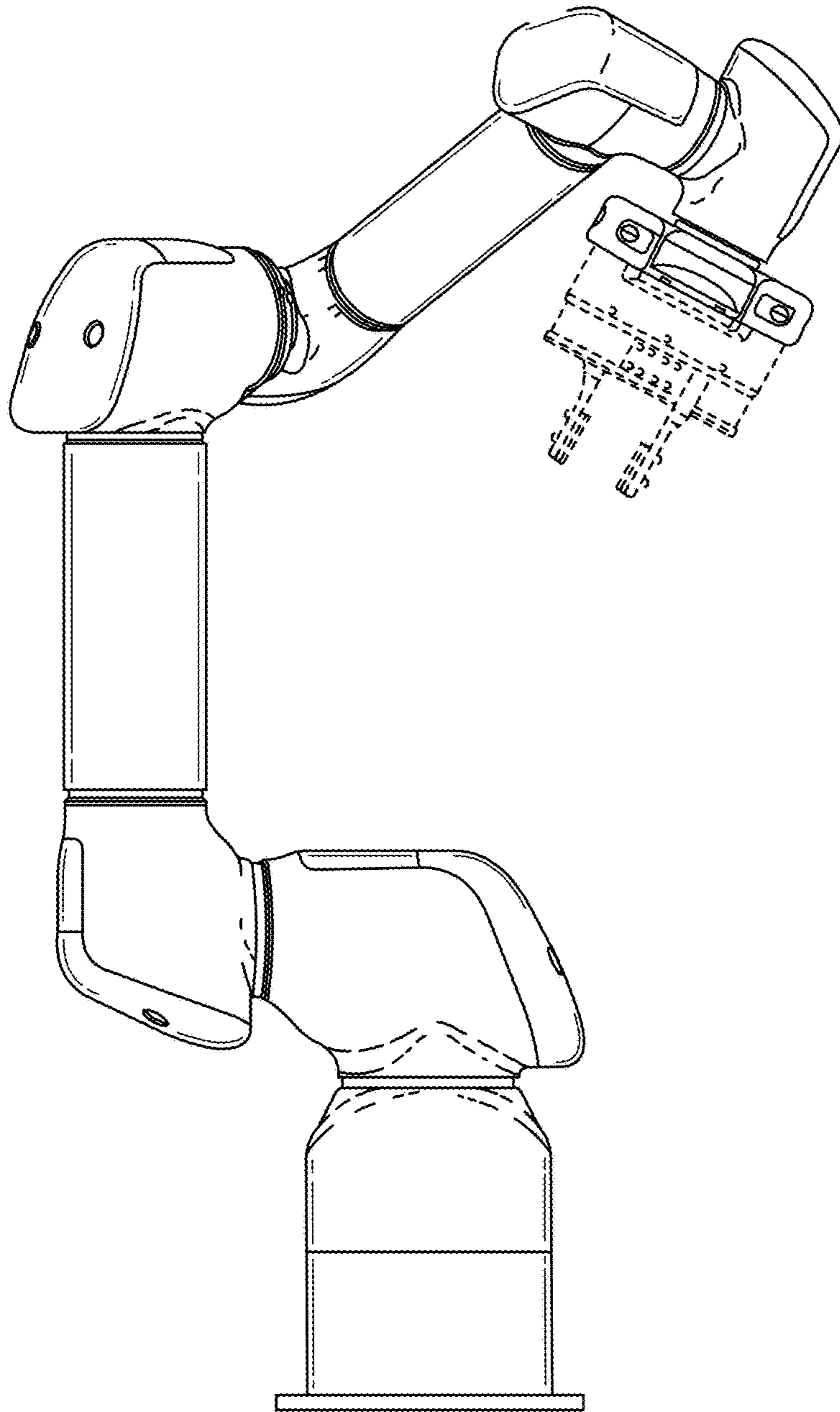


FIG. 2

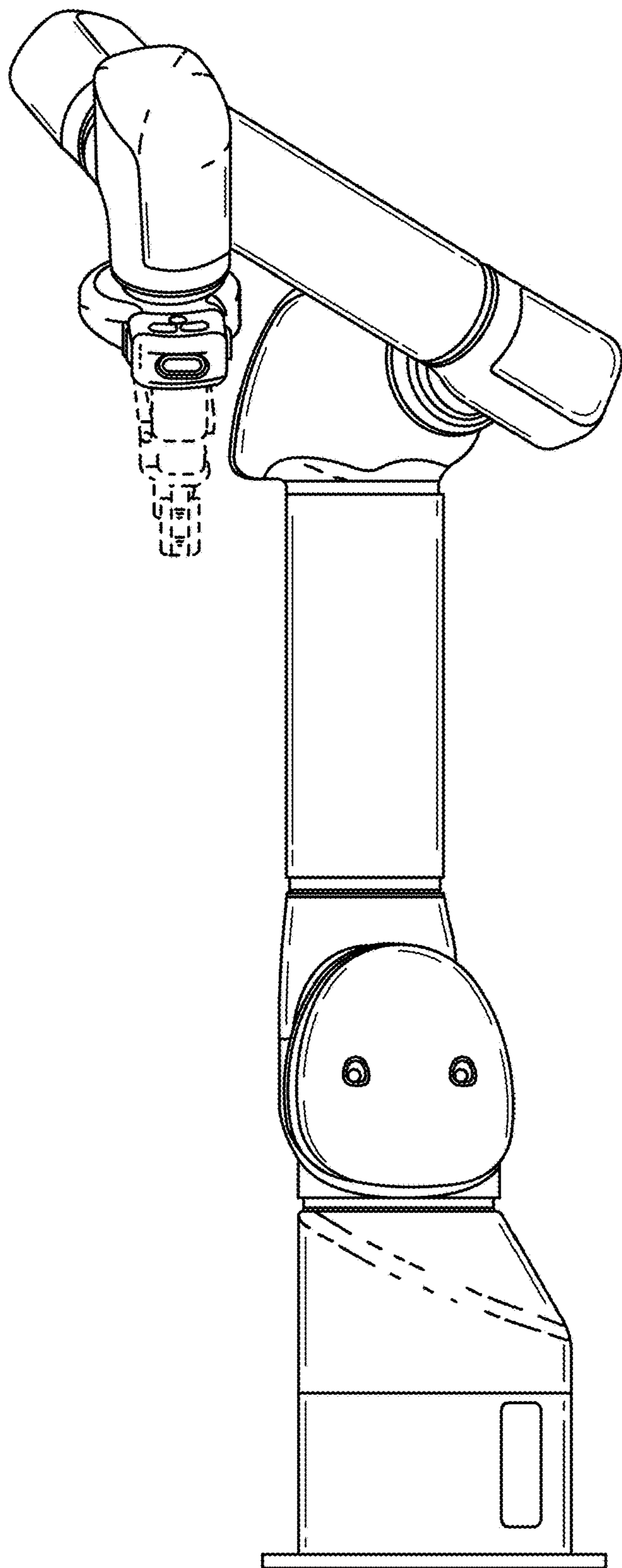


FIG. 3

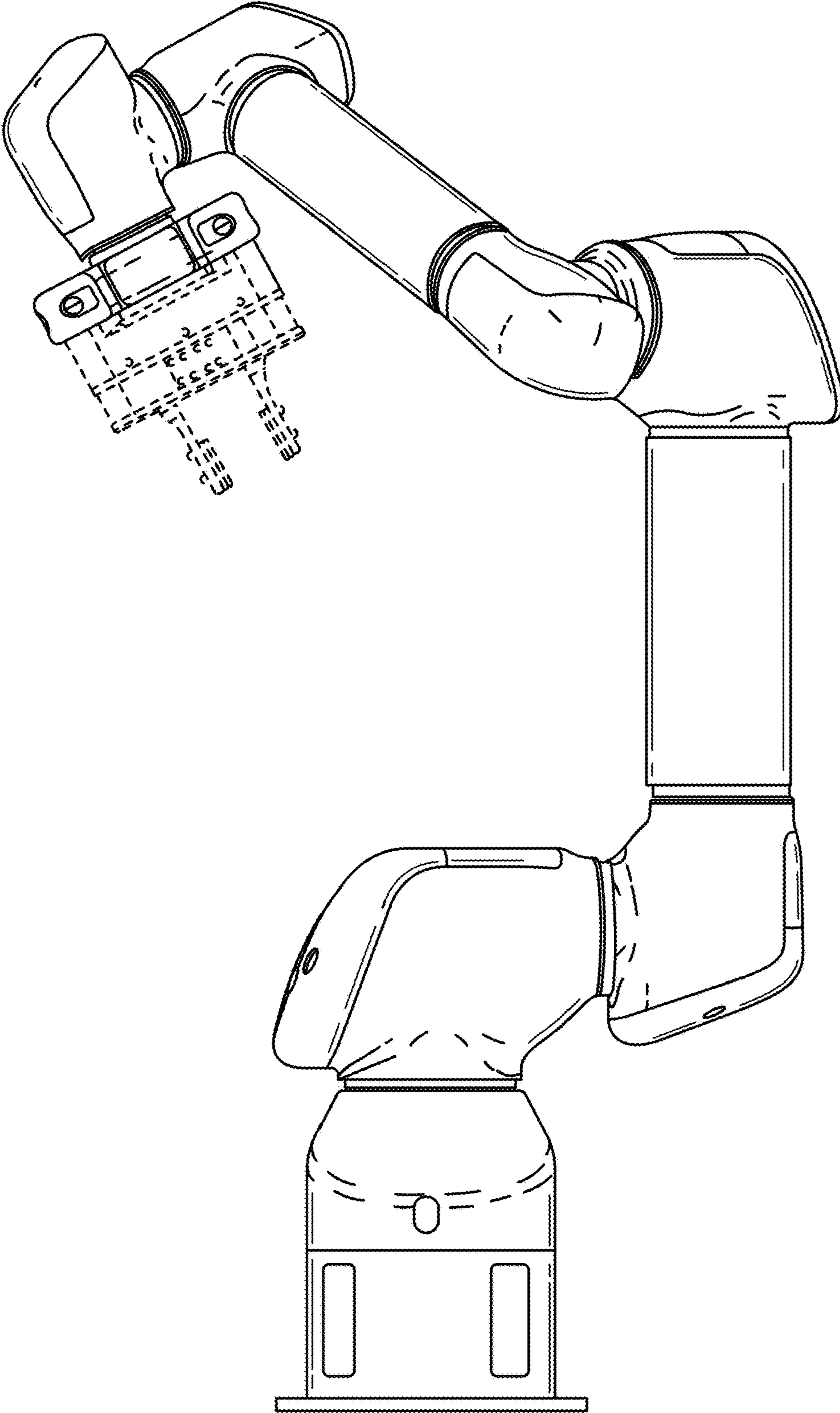


FIG. 4

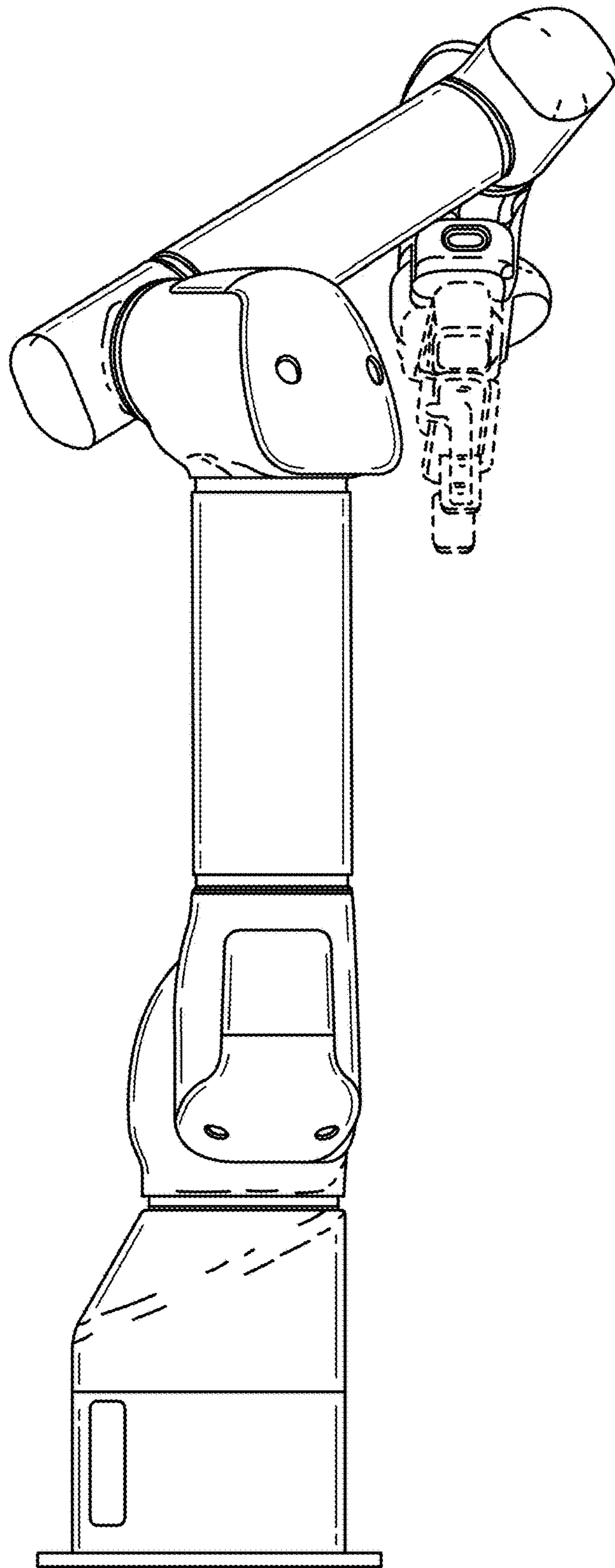


FIG. 5

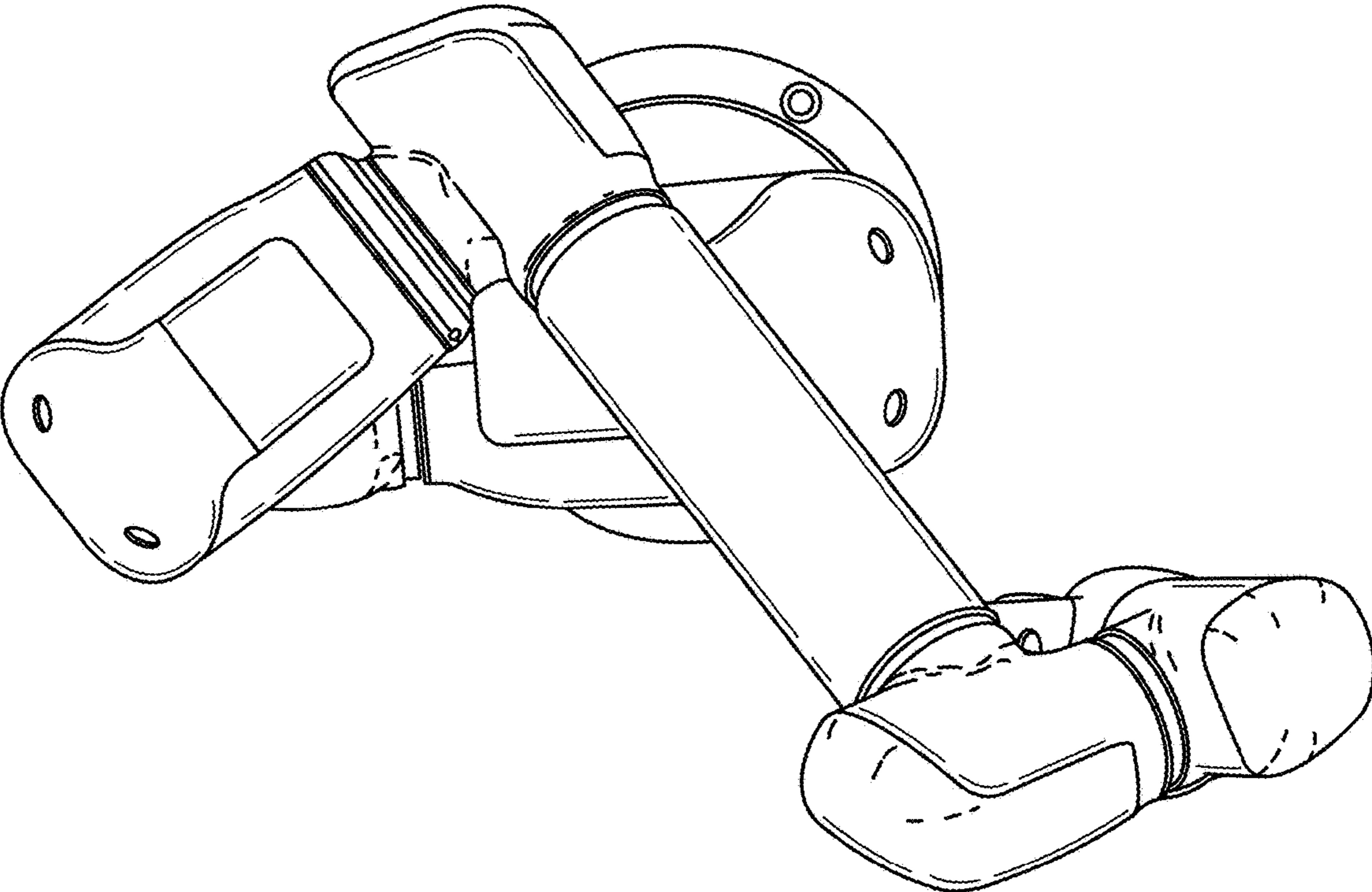


FIG. 6

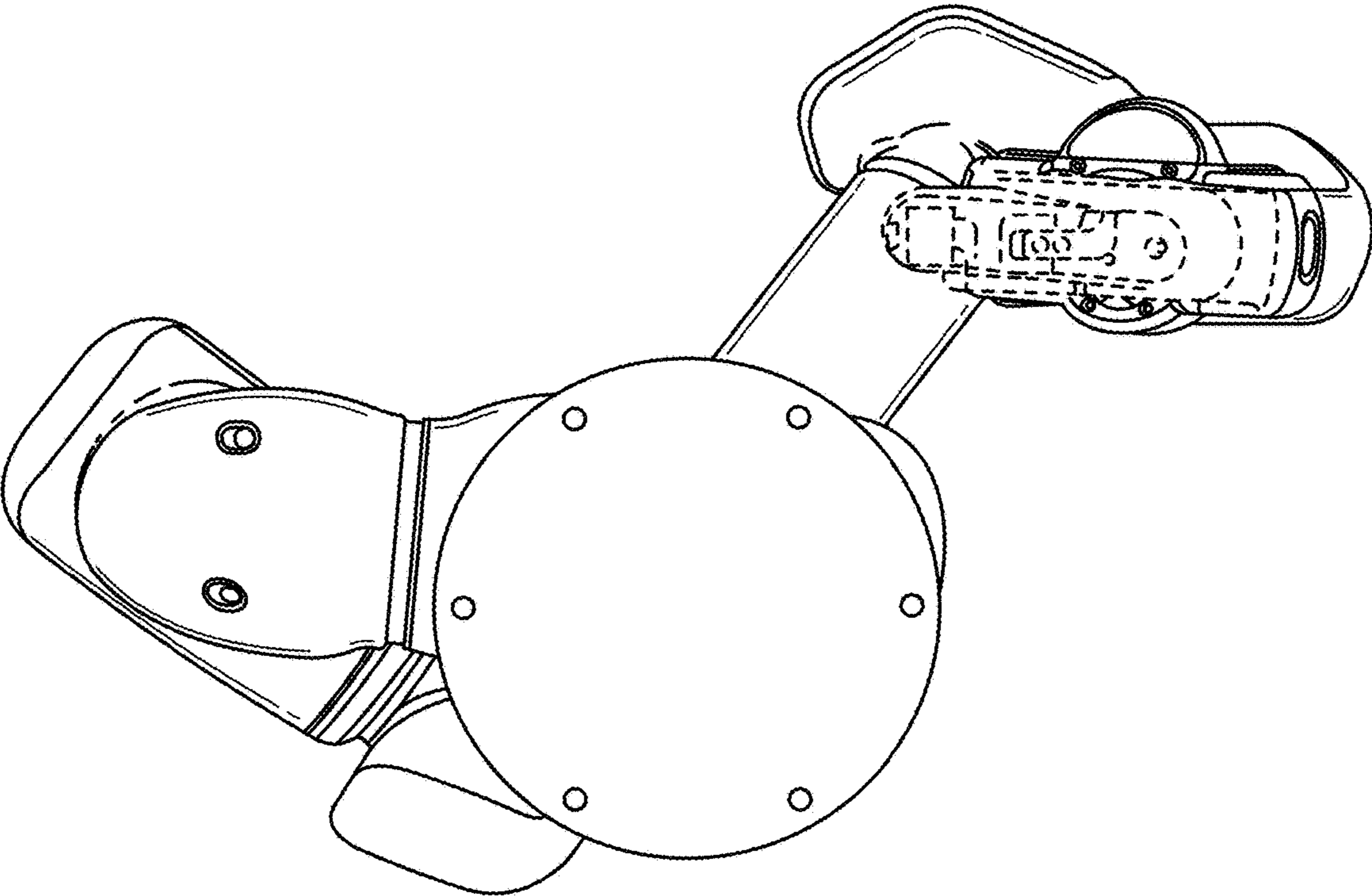


FIG. 7