



US00D865827S

(12) **United States Design Patent**  
**Zhang et al.**

(10) **Patent No.:** **US D865,827 S**

(45) **Date of Patent:** **\*\* Nov. 5, 2019**

(54) **ROBOT END EFFECTOR**

(71) Applicant: **GLOBUS MEDICAL, INC.**, Audubon, PA (US)

(72) Inventors: **Kevin Zhang**, Medford, MA (US);  
**Gerd Schmieta**, Boston, MA (US);  
**Chris Major**, Reisterstown, MD (US);  
**David Cleary**, Somerville, MA (US)

(73) Assignee: **Globus Medical, Inc.**, Audubon

(\*\*) Term: **15 Years**

(21) Appl. No.: **29/629,814**

(22) Filed: **Dec. 15, 2017**

**Related U.S. Application Data**

(63) Continuation of application No. 29/577,709, filed on Sep. 15, 2016, now Pat. No. Des. 809,041.

(51) **LOC (12) Cl.** ..... **15-99**

(52) **U.S. Cl.**  
USPC ..... **D15/199**; D24/138

(58) **Field of Classification Search**  
USPC ..... D24/133, 150, 172, 137, 143, 144, 145,  
D24/146, 147, 138; D15/142, 199;  
D8/300, 107, 307

CPC ..... A61B 34/30; A61B 34/37; A61B 90/361;  
A61B 2034/305; A61B 34/71; A61B  
34/20; A61B 34/70; A61B 17/00234;  
A61B 2034/108; A61B 1/3132

See application file for complete search history.

(56) **References Cited**

**U.S. PATENT DOCUMENTS**

4,483,334 A \* 11/1984 Murray ..... A61B 17/60  
403/391

4,567,884 A \* 2/1986 Edwards ..... A61B 17/7004  
606/276

4,648,388 A \* 3/1987 Steffee ..... A61B 17/7005  
248/316.6

D336,518 S \* 6/1993 Taylor ..... D24/140

D404,128 S \* 1/1999 Huebner ..... D24/145

D576,727 S \* 9/2008 Lowenstein ..... D24/133

7,938,829 B2 \* 5/2011 Mullaney ..... A61B 17/645  
403/385

D649,641 S \* 11/2011 Guttulsrud ..... D24/143

8,057,517 B2 \* 11/2011 Flynn ..... A61B 17/7005  
606/257

8,083,775 B2 \* 12/2011 Winslow ..... A61B 17/7001  
606/264

8,333,792 B2 \* 12/2012 Winslow ..... A61B 17/7005  
606/305

8,900,273 B2 \* 12/2014 Fauth ..... A61B 17/7035  
606/265

\* cited by examiner

*Primary Examiner* — Eliza Z Bennett-Hattan

(57) **CLAIM**

The ornamental design for a robot end effector, as shown and described herein.

**DESCRIPTION**

FIG. 1 shows a perspective view of the robot end effector showing a new design;

FIG. 2 shows a front view thereof;

FIG. 3 shows a rear view thereof;

FIG. 4 shows a side view thereof;

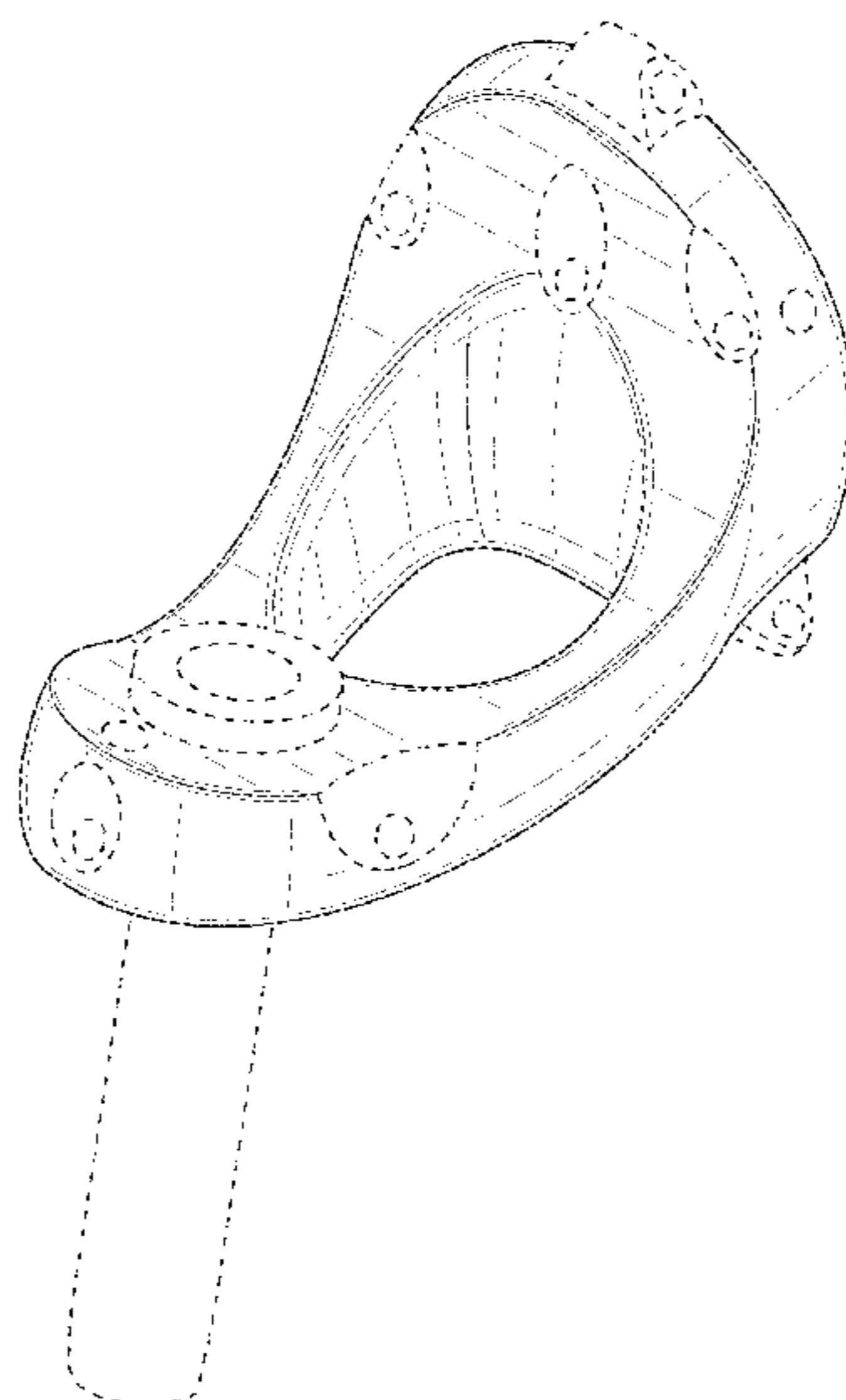
FIG. 5 shows another side view thereof;

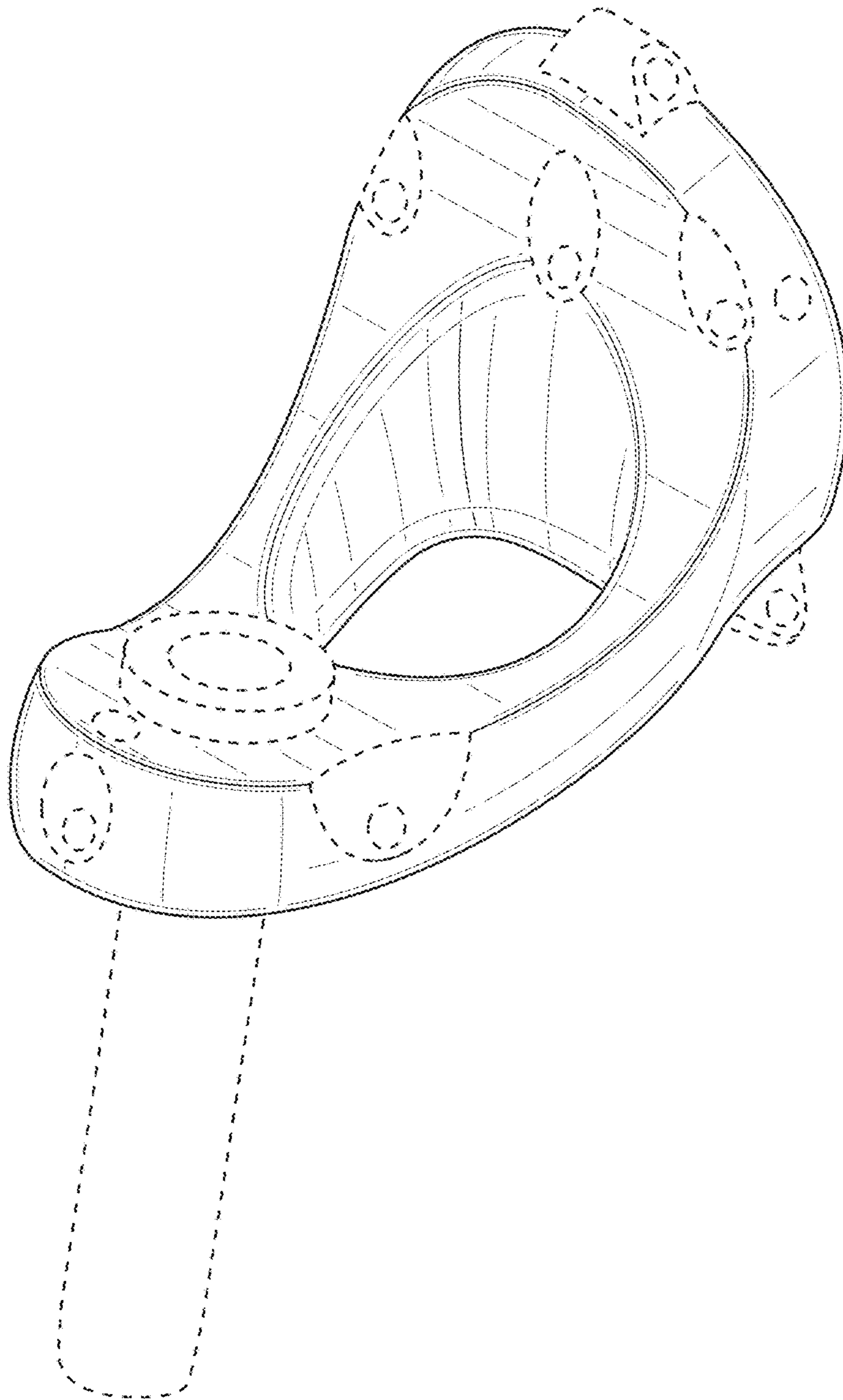
FIG. 6 shows a top view thereof; and,

FIG. 7 shows a bottom view thereof.

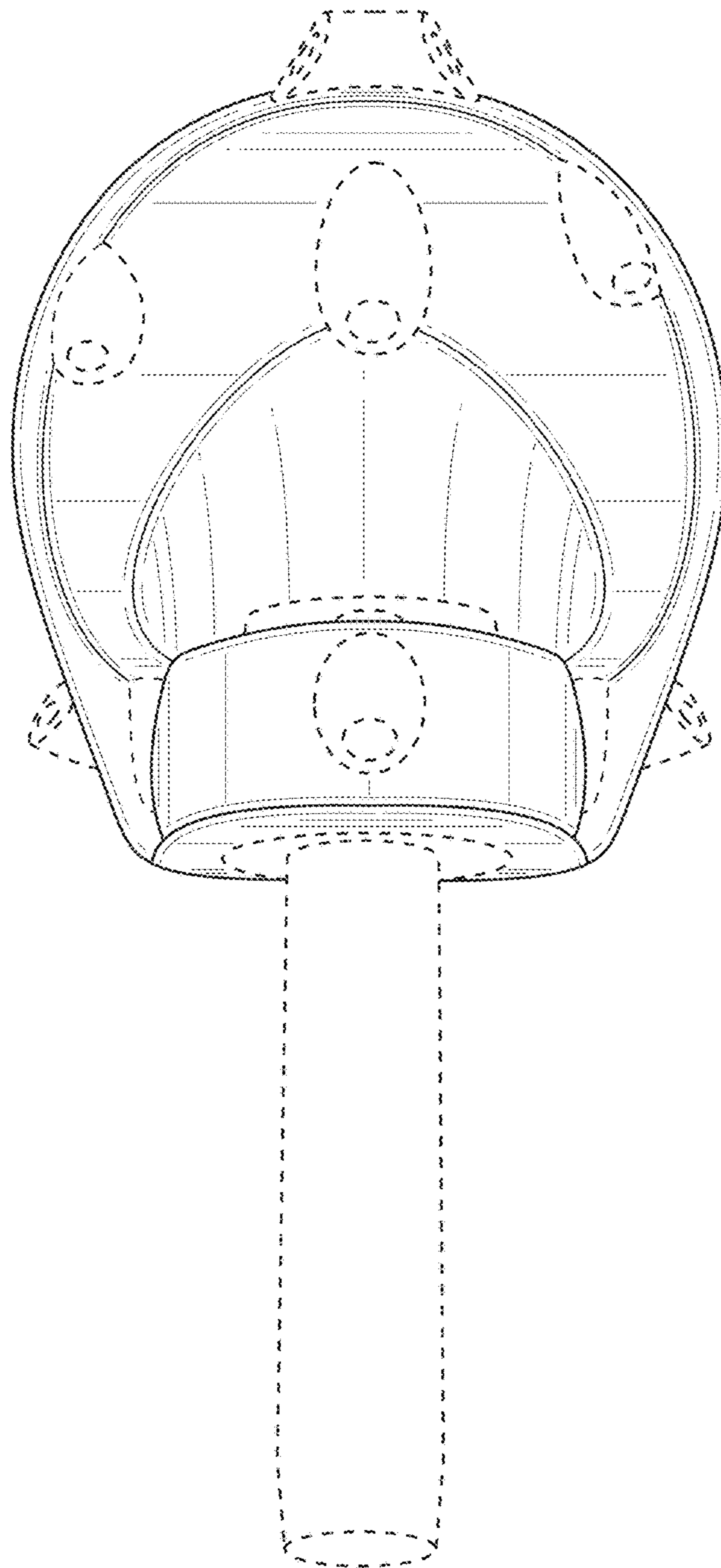
In the above drawings the broken lines and the areas within the broken lines form no part of the claimed design.

**1 Claim, 7 Drawing Sheets**

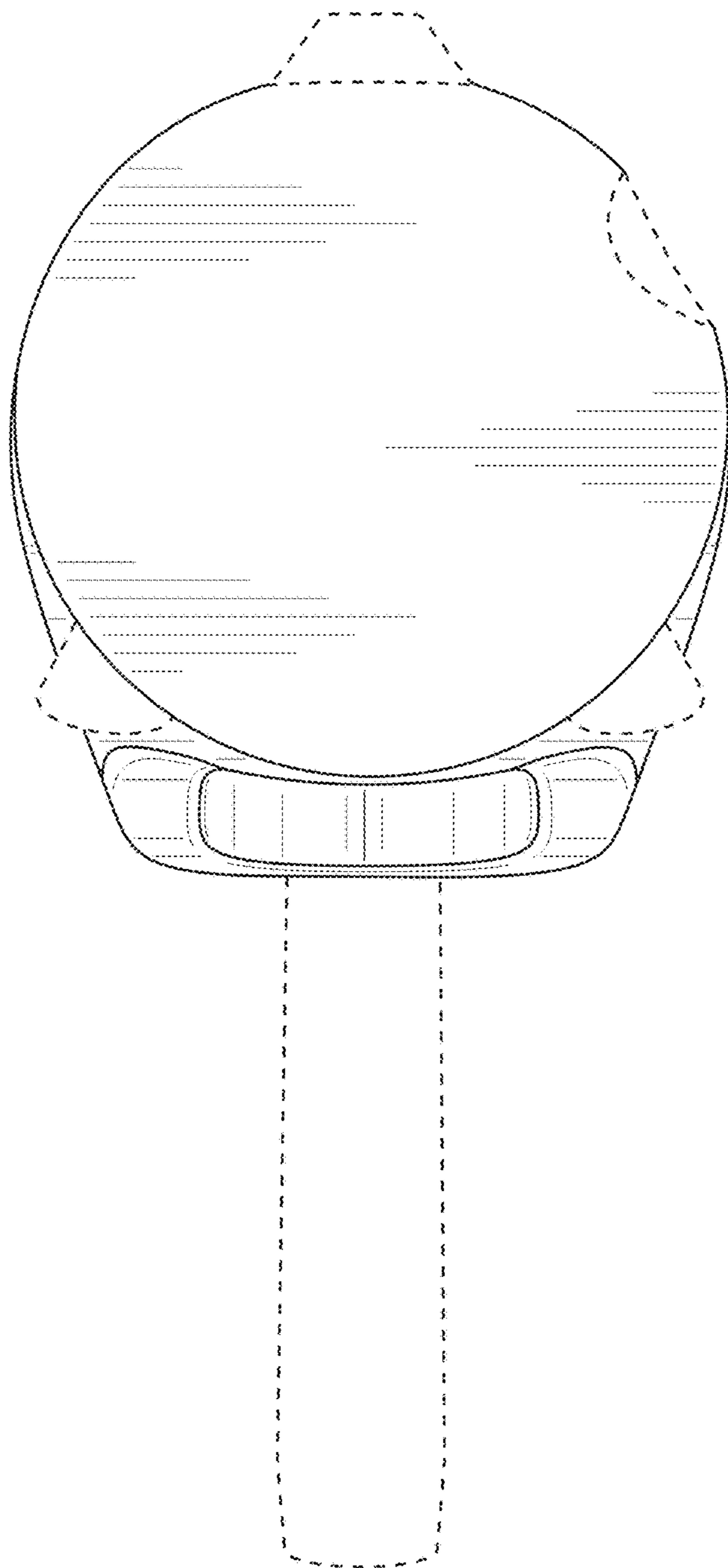




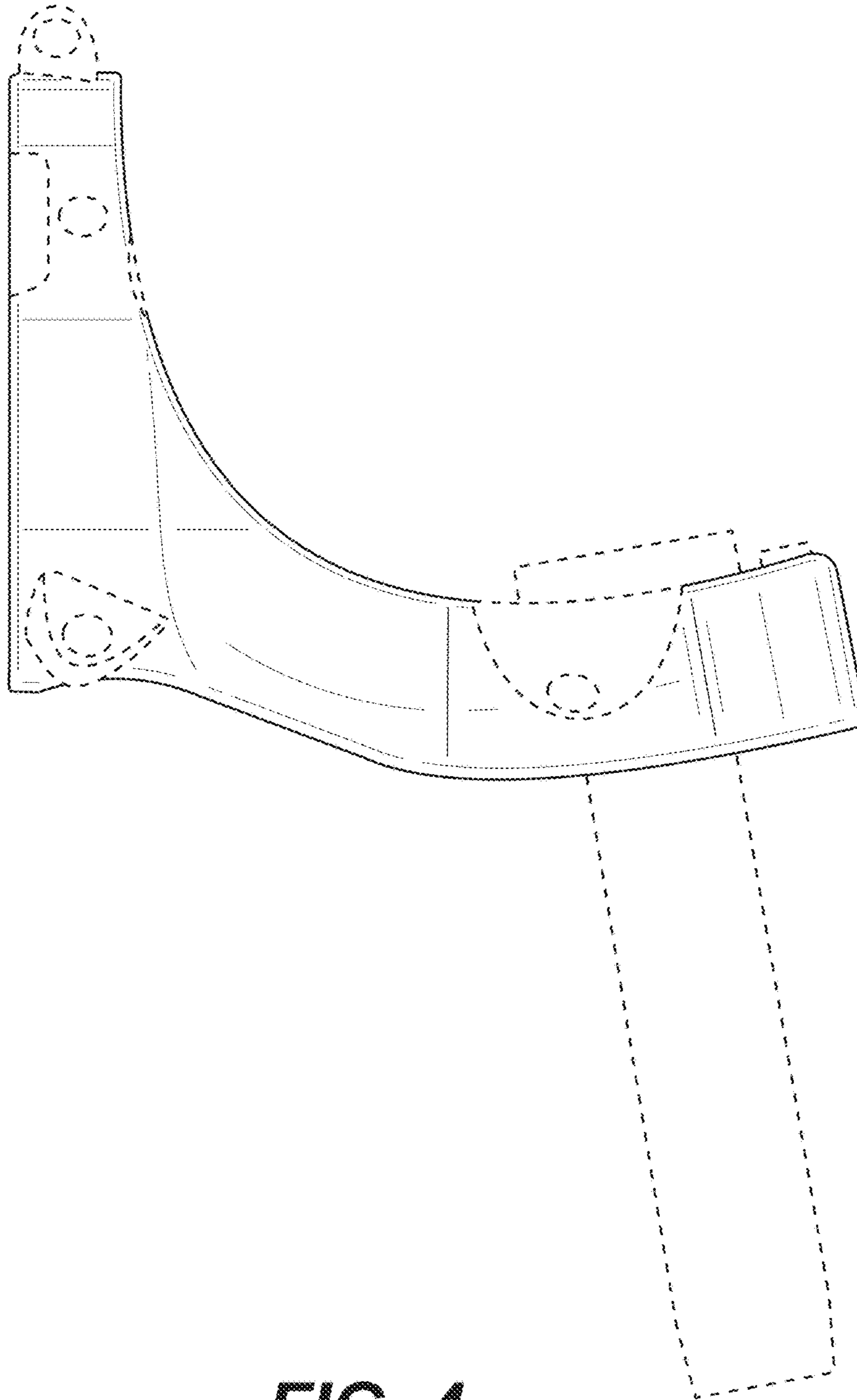
**FIG. 1**



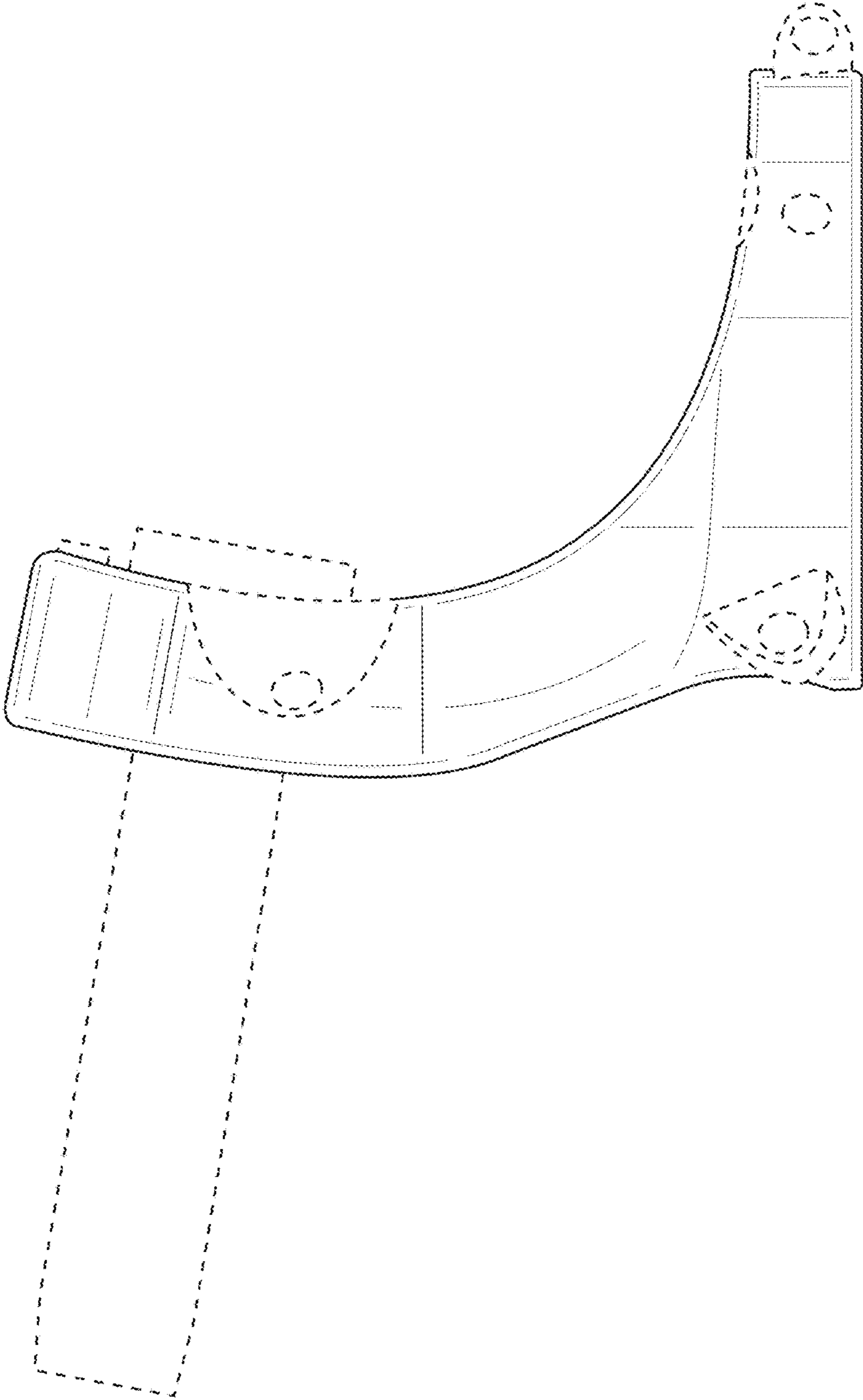
**FIG. 2**



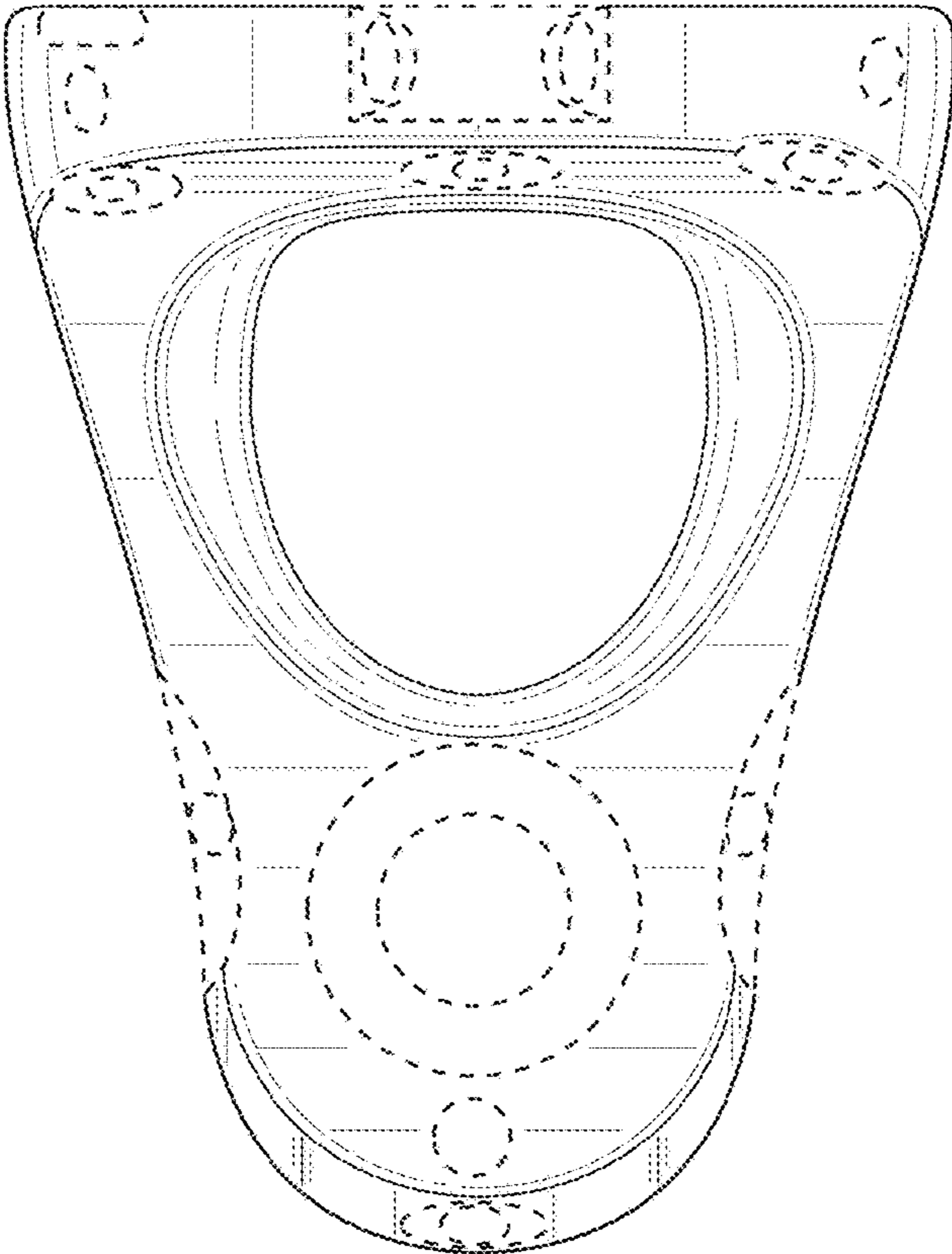
**FIG. 3**



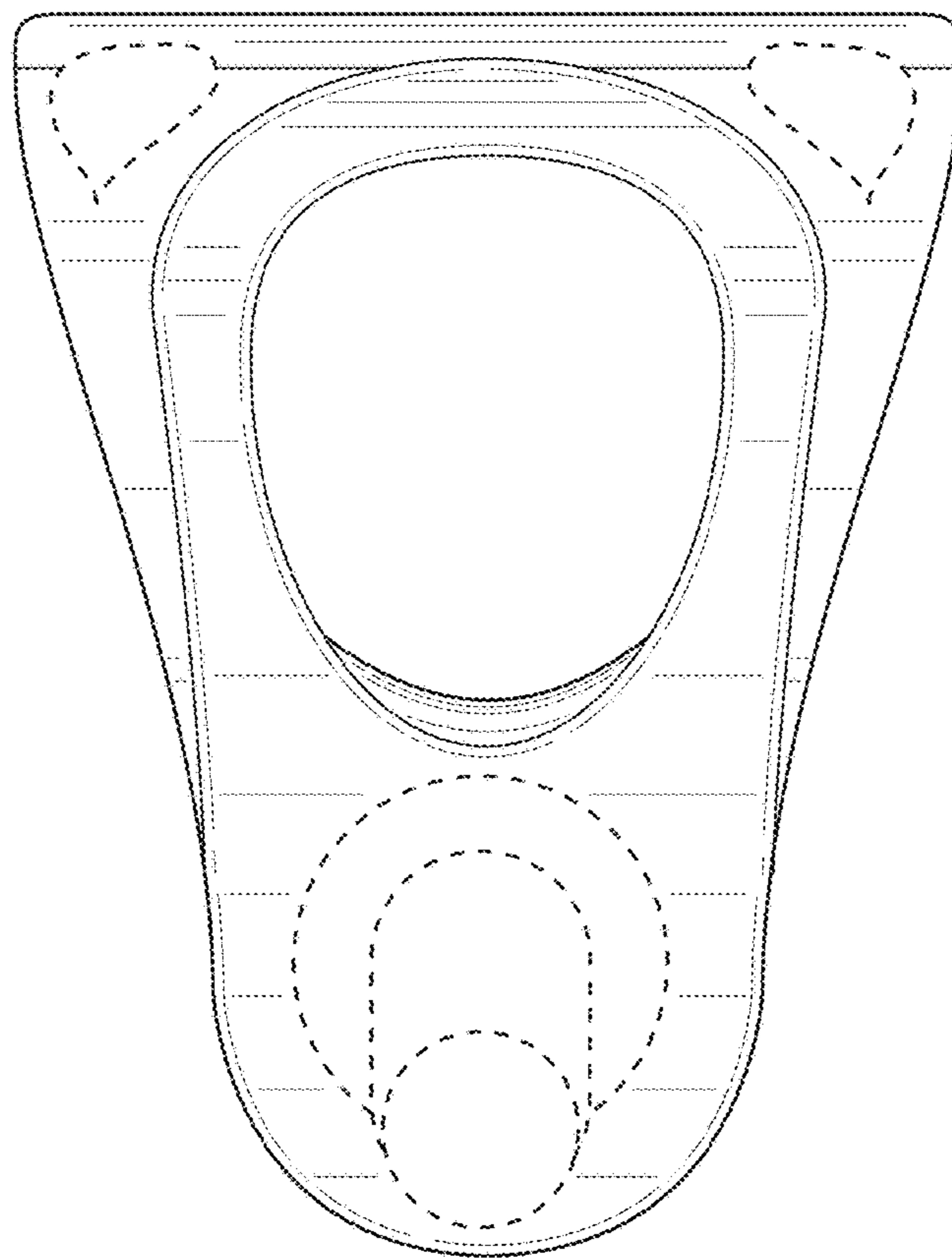
**FIG. 4**



**FIG. 5**



**FIG. 6**



**FIG. 7**