

US00D865824S

(12) **United States Design Patent** (10) **Patent No.:** **US D865,824 S**
Berrezag et al. (45) **Date of Patent:** **** Nov. 5, 2019**

(54) **COMPACT VIBRATION ACTUATOR**

(71) Applicant: **Lofelt GmbH**, Berlin (DE)

(72) Inventors: **Amir Berrezag**, Berlin (DE); **Hannah Daled**, Berlin (DE); **Daniel Büttner**, Berlin (DE)

(73) Assignee: **Lofelt GmbH**, Berlin (DE)

(**) Term: **15 Years**

(21) Appl. No.: **29/660,725**

(22) Filed: **Aug. 22, 2018**

(51) **LOC (12) Cl.** **15-09**

(52) **U.S. Cl.**
USPC **D15/148**

(58) **Field of Classification Search**
USPC D14/253; D15/143, 147, 148, 199;
D21/253
CPC B60B 19/006; B60B 19/024; B25J 5/007;
B25J 9/1664; B25J 9/1684; B23K 26/02;
H01F 7/0221; Y10S 901/01
See application file for complete search history.

(56) **References Cited**

U.S. PATENT DOCUMENTS

6,051,912 A * 4/2000 Gonda H02N 2/004
310/323.02
D696,651 S * 12/2013 Ohashi D14/240
D696,652 S * 12/2013 Ohashi D14/240
D705,830 S * 5/2014 Hashimoto D15/199
2004/0155558 A1 * 8/2004 Cuttino H01L 41/0906
310/317
2009/0278644 A1 * 11/2009 Ueda B06B 1/045
335/302

2010/0176687 A1 * 7/2010 Nagaoka H01L 41/053
310/323.16
2010/0201501 A1 * 8/2010 Ueda B06B 1/045
340/407.1
2010/0301704 A1 * 12/2010 Higashionji H01L 41/053
310/323.02
2011/0018394 A1 * 1/2011 Mukae H01L 41/0913
310/323.02
2011/0051987 A1 * 3/2011 Ueda B06B 1/045
381/412
2011/0156536 A1 * 6/2011 Adachi H01L 41/083
310/323.02
2012/0321289 A1 * 12/2012 Hiruta G02B 7/08
396/144
2018/0167738 A1 * 6/2018 Liu H04R 9/06
2018/0301969 A1 * 10/2018 Takahashi H02K 35/00
2019/0246212 A1 * 8/2019 Zhang H04R 9/06

* cited by examiner

Primary Examiner — Patricia A Palasik

(74) *Attorney, Agent, or Firm* — Chernoff Vilhauer LLP

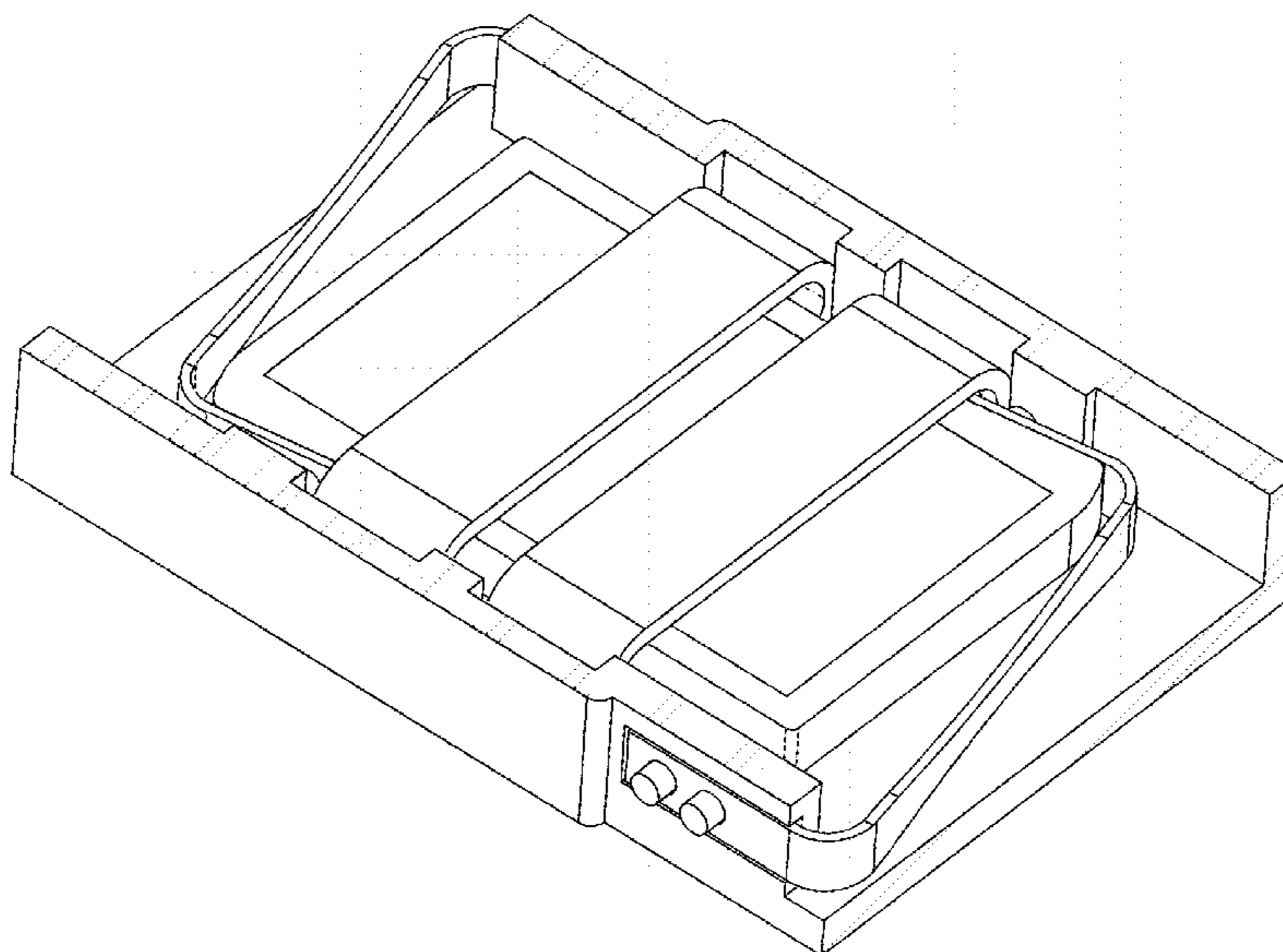
(57) **CLAIM**

The ornamental design for a compact vibration actuator, as shown and described.

DESCRIPTION

FIG. 1 is a perspective view of a compact vibration actuator showing our new design;
FIG. 2 is a front view thereof;
FIG. 3 is a rear view thereof;
FIG. 4 is a left side view thereof;
FIG. 5 is a right side view thereof;
FIG. 6 is a top view thereof; and,
FIG. 7 is a bottom view thereof.

1 Claim, 7 Drawing Sheets



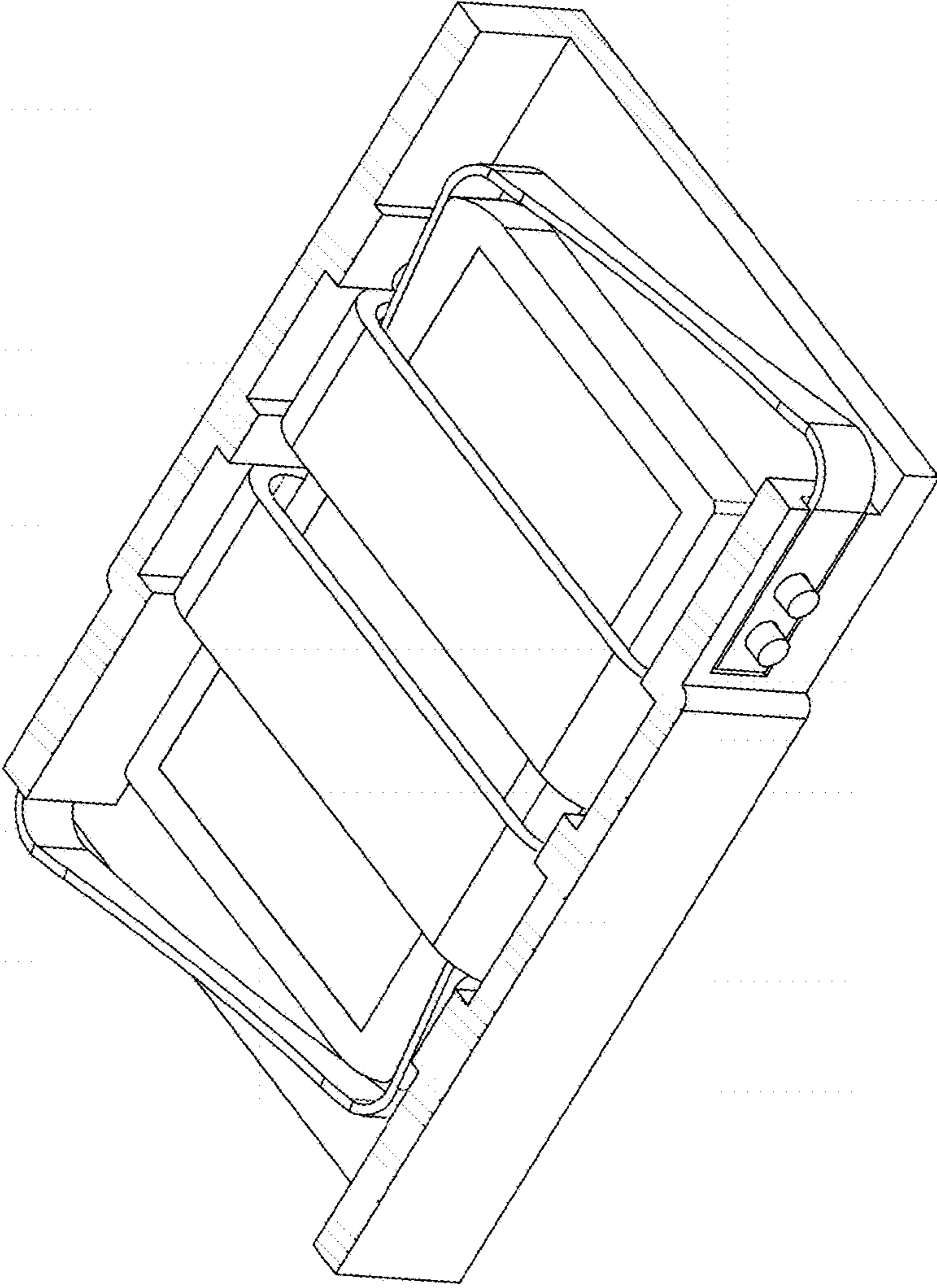


FIG. 1

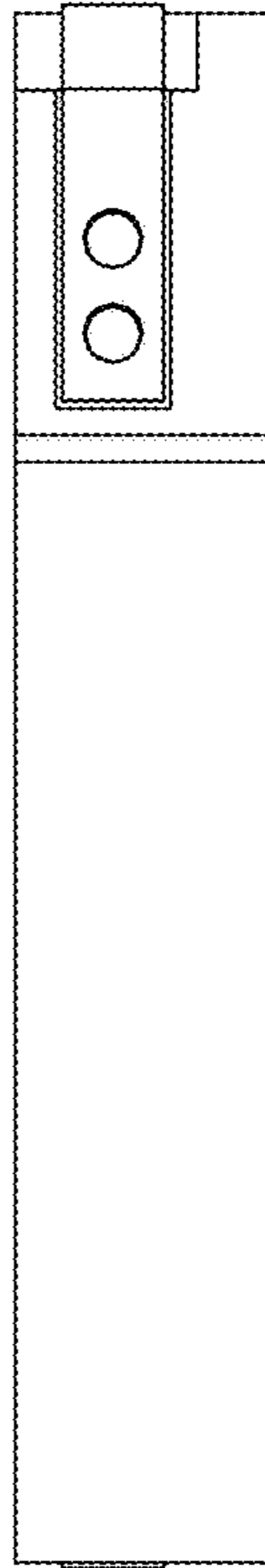


FIG. 2

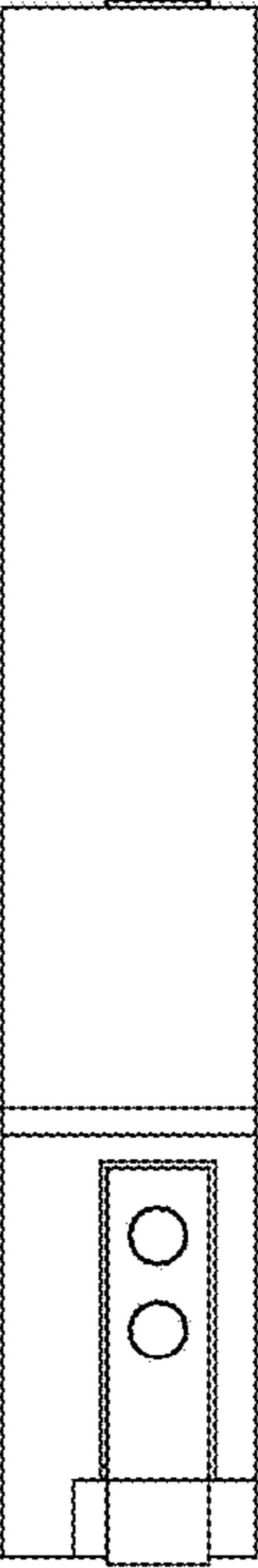


FIG. 3

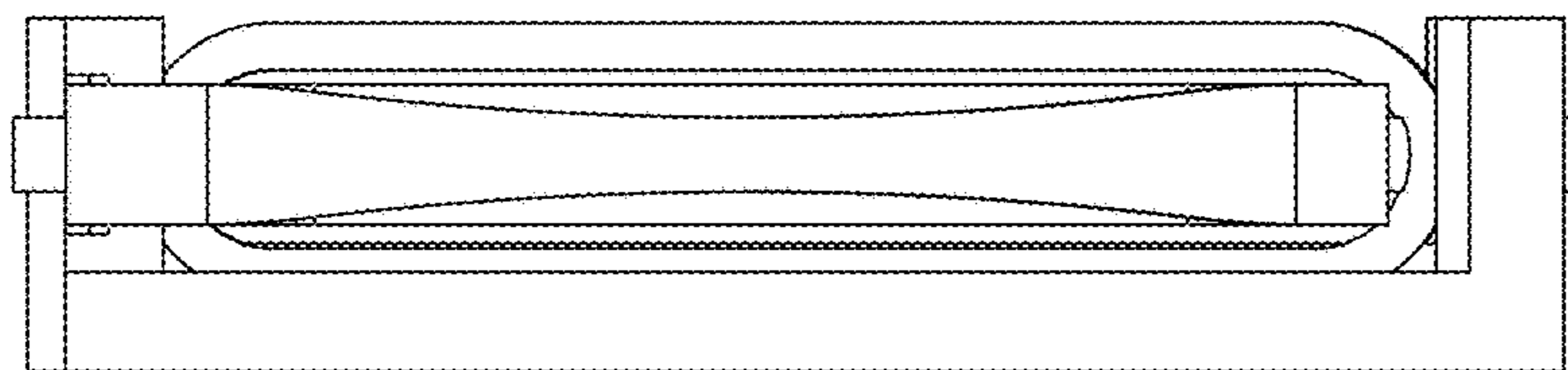


FIG. 4

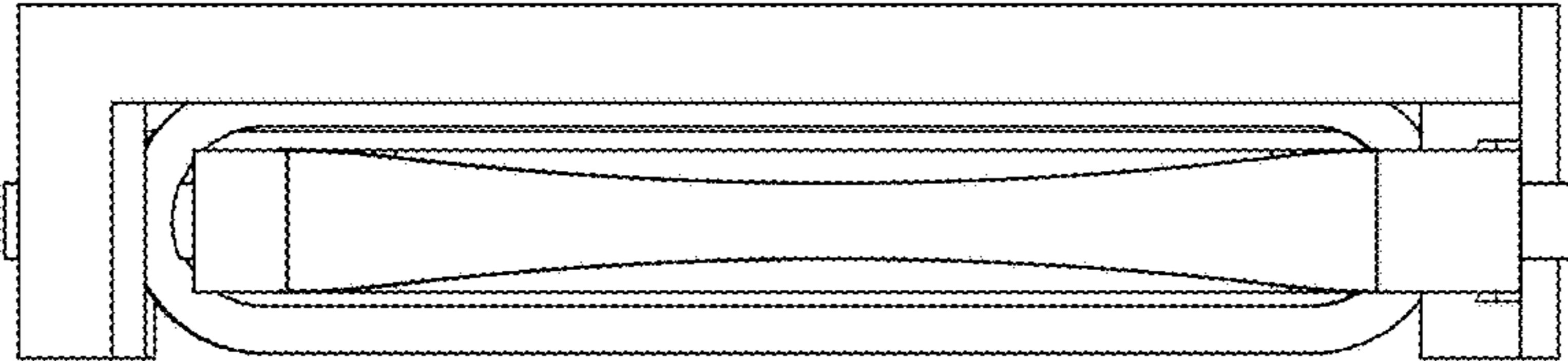


FIG. 5

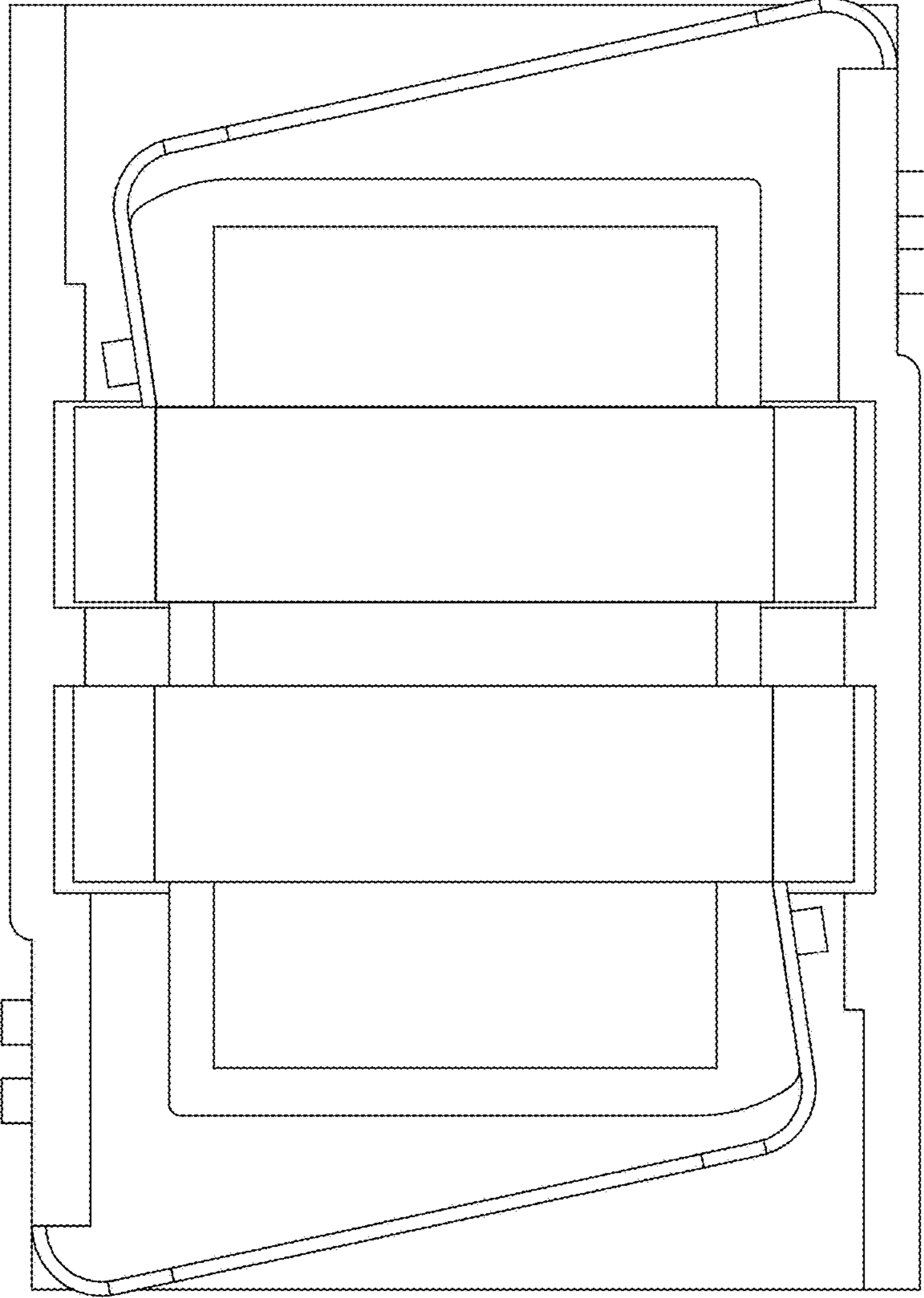


FIG. 6

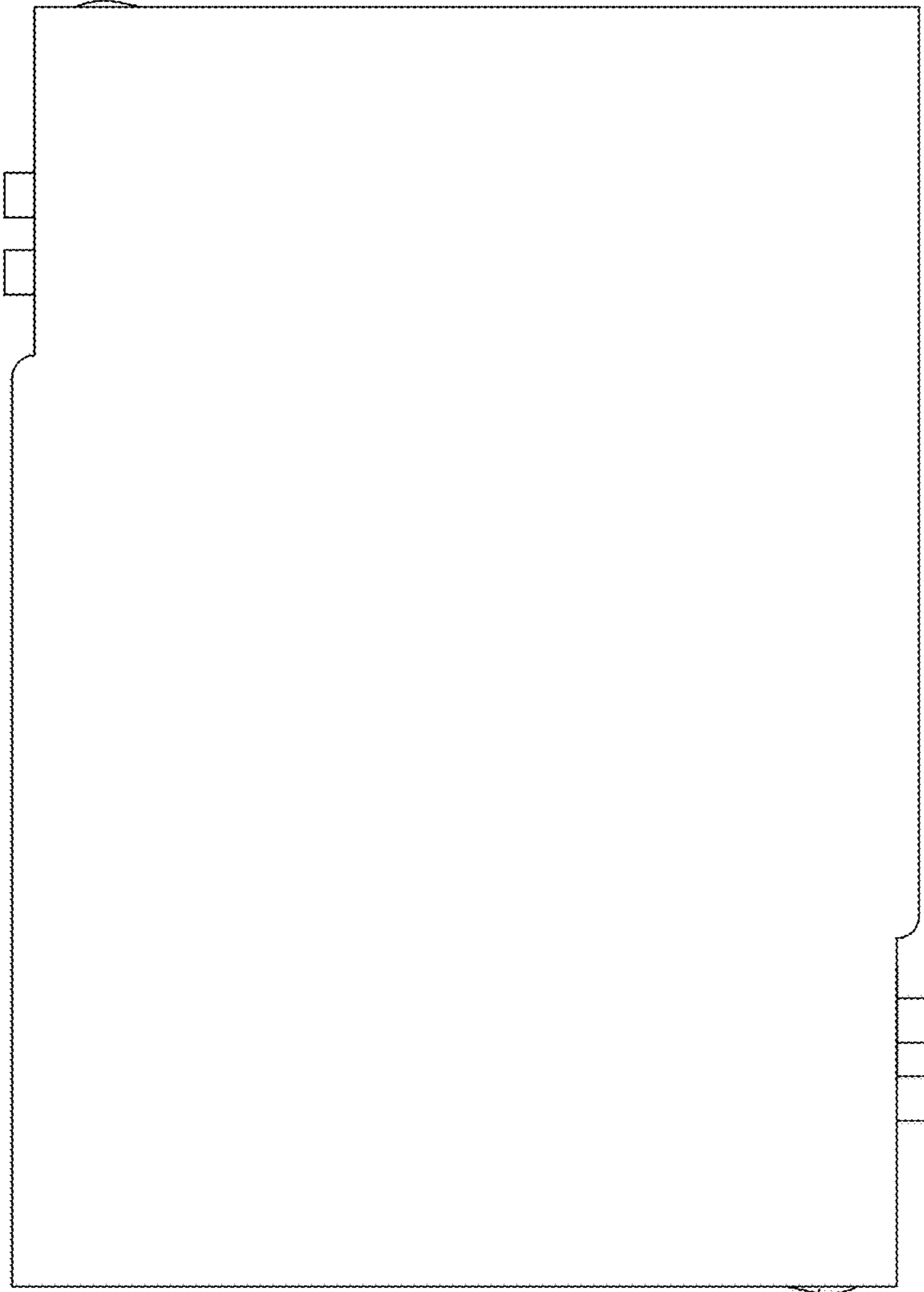


FIG. 7