



US00D865823S

(12) **United States Design Patent**
Abe et al.

(10) **Patent No.:** **US D865,823 S**

(45) **Date of Patent:** **** Nov. 5, 2019**

(54) **CUTTING TOOL**

(71) Applicant: **SUMITOMO ELECTRIC
HARDMETAL CORP.**, Itami-shi (JP)

(72) Inventors: **Makoto Abe**, Willich (DE); **Christoph
Zeiner**, Willich (DE)

(73) Assignee: **Sumitomo Electric Hardmetal Corp.**,
Itami-shi (JP)

(**) Term: **15 Years**

(21) Appl. No.: **29/677,262**

(22) Filed: **Jan. 18, 2019**

Related U.S. Application Data

(62) Division of application No. 29/594,864, filed on Feb.
23, 2017.

(30) **Foreign Application Priority Data**

Aug. 26, 2016 (JP) 2016-018192

Aug. 26, 2016 (JP) 2016-018193

(Continued)

(51) **LOC (12) Cl.** **15-09**

(52) **U.S. Cl.**
USPC **D15/139**

(58) **Field of Classification Search**
USPC D8/70, 71; D15/138, 139, 140

(Continued)

(56) **References Cited**

U.S. PATENT DOCUMENTS

4,691,998 A 9/1987 Sakagaito et al.

D341,604 S 11/1993 Hessman

(Continued)

Primary Examiner — Patricia A Palasik

(74) *Attorney, Agent, or Firm* — Baker Botts L.L.P.;
Michael A. Sartori

(57) **CLAIM**

The ornamental design for a cutting tool, as shown and
described.

DESCRIPTION

FIG. 1 is a front view of a cutting tool in accordance with
Embodiment 1 of the present design;
FIG. 2 is a rear view thereof;
FIG. 3 is a top view thereof;
FIG. 4 is a bottom view thereof;
FIG. 5 is a right side view thereof;
FIG. 6 is a left side view thereof;
FIG. 7 is a first perspective view thereof;
FIG. 8 is a second perspective view thereof;
FIG. 9 is a cross sectional view taken along line 9-9 of FIG.
3;

FIG. 10 is a referential perspective view showing the state
in use of the cutting tool attached to the holder by a fixing
member, for cutting a rotating workpiece;

FIG. 11 is a front view of a cutting tool in accordance with
Embodiment 2 of the present design;

FIG. 12 is a rear view thereof;

FIG. 13 is a top view thereof;

FIG. 14 is a bottom view thereof;

FIG. 15 is a right side view thereof;

FIG. 16 is a left side view thereof;

FIG. 17 is a first perspective view thereof;

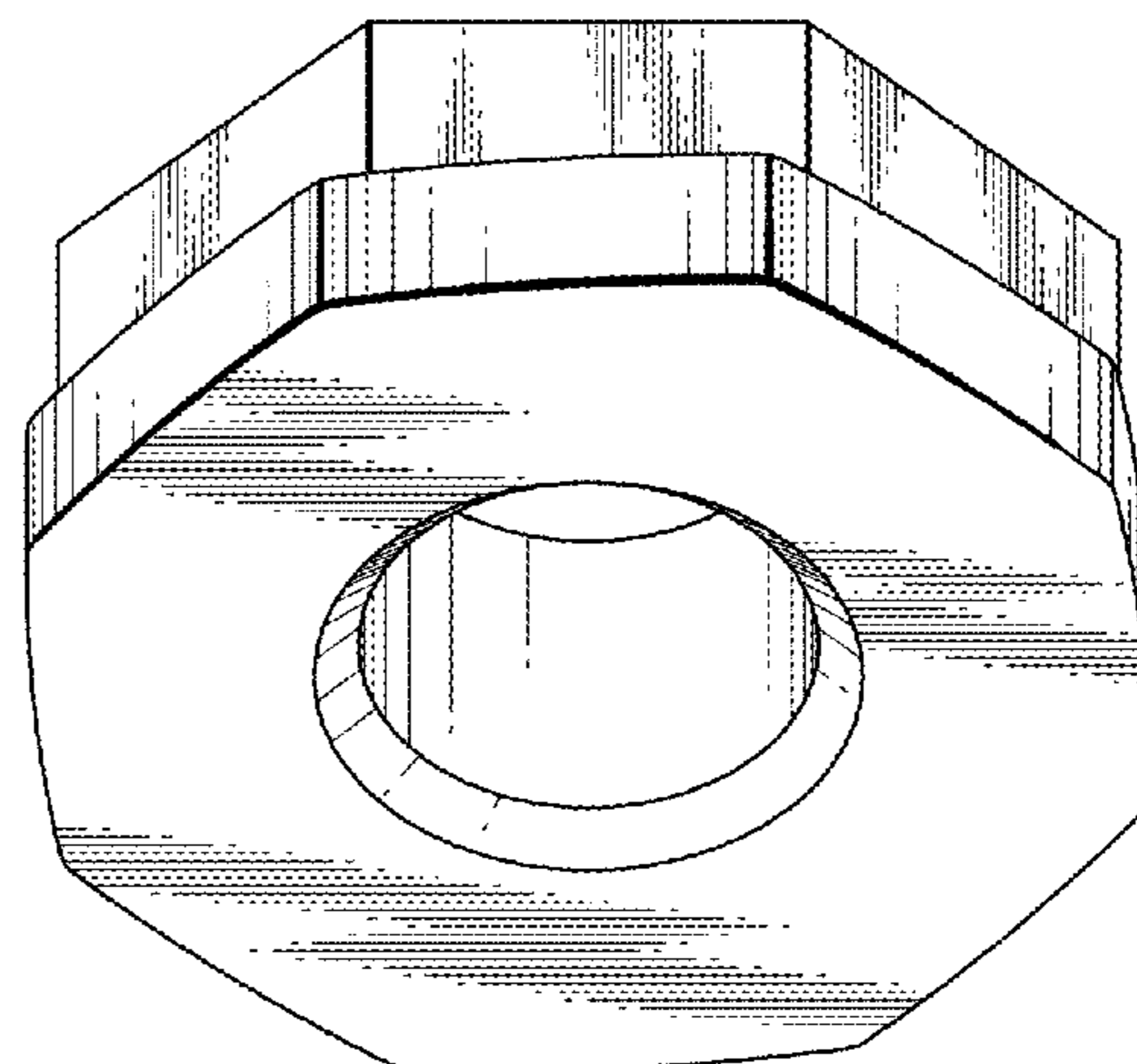
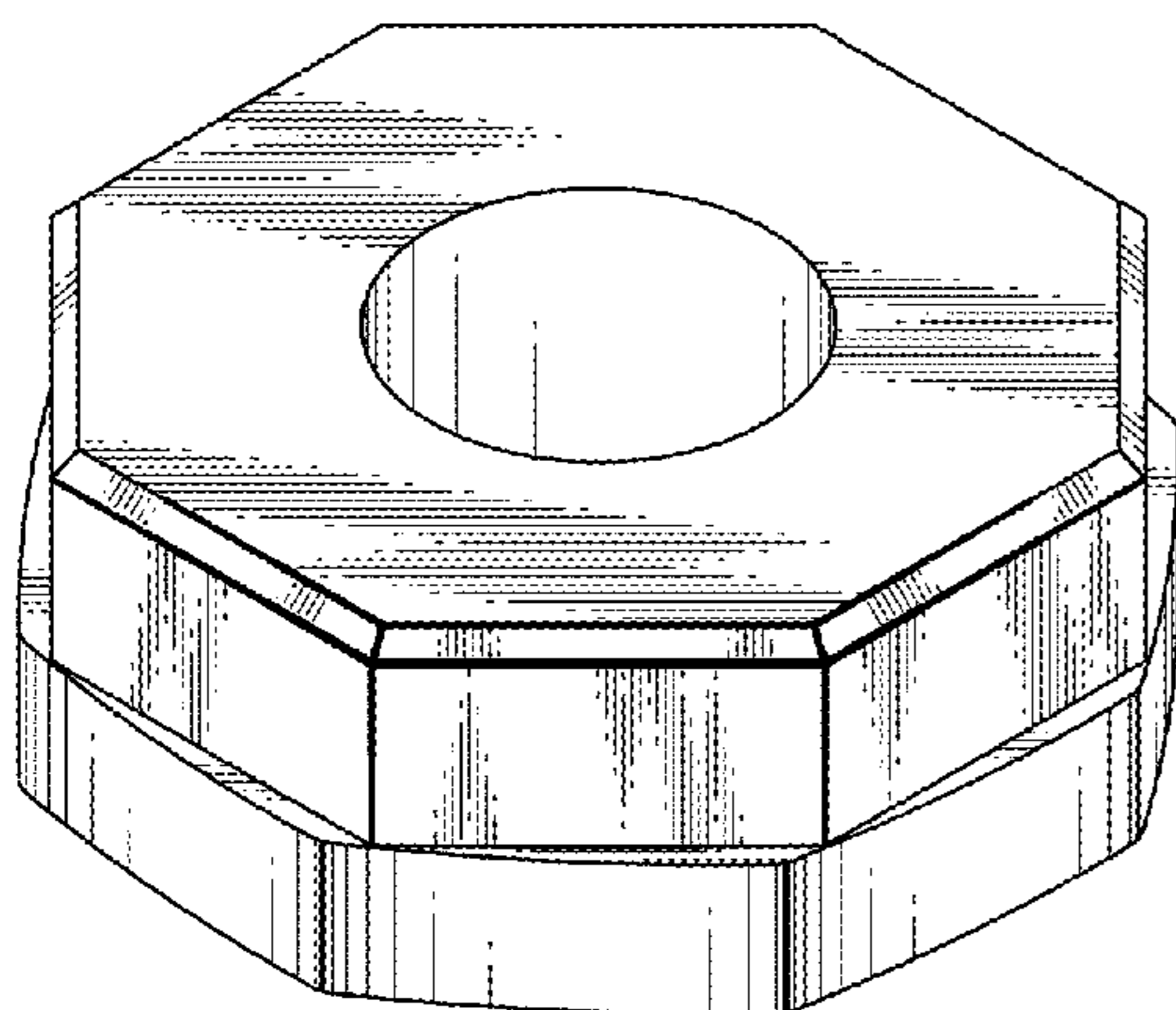
FIG. 18 is a second perspective view thereof;

FIG. 19 is a cross sectional view taken along line 19-19 of
FIG. 13; and,

FIG. 20 is a referential perspective view showing the state
in use of the cutting tool attached to the holder by a fixing
member, for cutting a rotating workpiece.

The broken lines in the referential perspective views repre-
sent unclaimed environmental subject matter.

1 Claim, 10 Drawing Sheets



(30) **Foreign Application Priority Data**

Dec. 27, 2016 (JP) 2016-028308
 Dec. 27, 2016 (JP) 2016-028309

(58) **Field of Classification Search**

CPC .. B23C 5/06; B23C 5/22; B23C 5/109; B23C
 5/207; B23C 2200/16; B23C 2200/165;
 B23C 2200/167; B23C 2200/0405; B23C
 2200/0466; B23C 2210/168

See application file for complete search history.

(56) **References Cited**

U.S. PATENT DOCUMENTS

5,681,189 A 10/1997 Dunham
 D390,854 S 2/1998 Satran et al.
 6,249,950 B1 6/2001 Brask et al.
 6,857,831 B2 2/2005 Davis
 D600,541 S 9/2009 Steppat et al.
 D602,510 S 10/2009 Harpaz
 D640,716 S 6/2011 Takahashi et al.
 D649,987 S 12/2011 Dunnahoe
 D651,224 S 12/2011 Takahashi et al.
 8,840,344 B2 9/2014 Stenman
 D760,308 S 6/2016 Krishnegowda et al.
 RE46,197 E * 11/2016 Takahashi D15/139
 D815,164 S 4/2018 Schleicher et al.
 10,010,950 B2 7/2018 Matsumura et al.
 D832,319 S * 10/2018 Muthuswamy D15/139
 2013/0094913 A1 4/2013 Yoshida
 2013/0129430 A1 5/2013 Bhagath et al.
 2015/0190867 A1 7/2015 Roman et al.
 2015/0190869 A1 7/2015 Roman et al.
 2017/0189972 A1 7/2017 Matsumura et al.
 2017/0225243 A1 8/2017 Matsumura et al.
 2018/0243844 A1 * 8/2018 Viklund B23C 5/06

* cited by examiner

FIG. 1

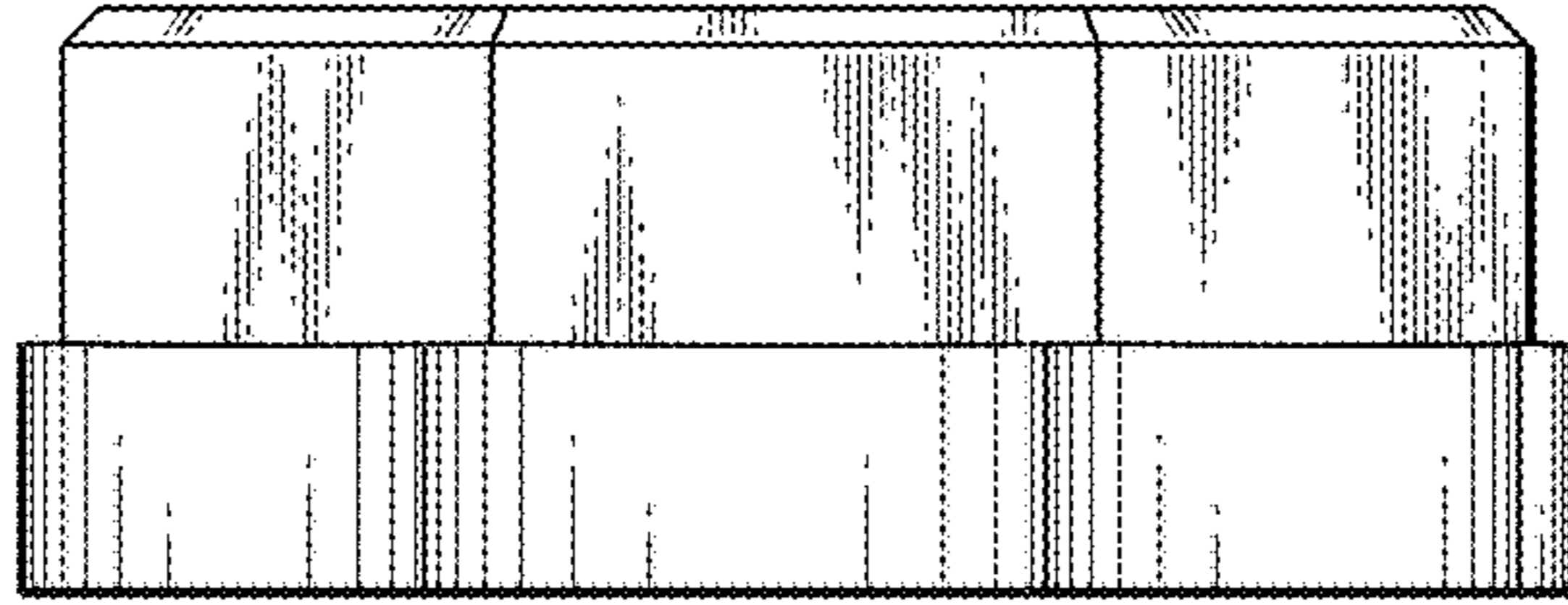


FIG. 2

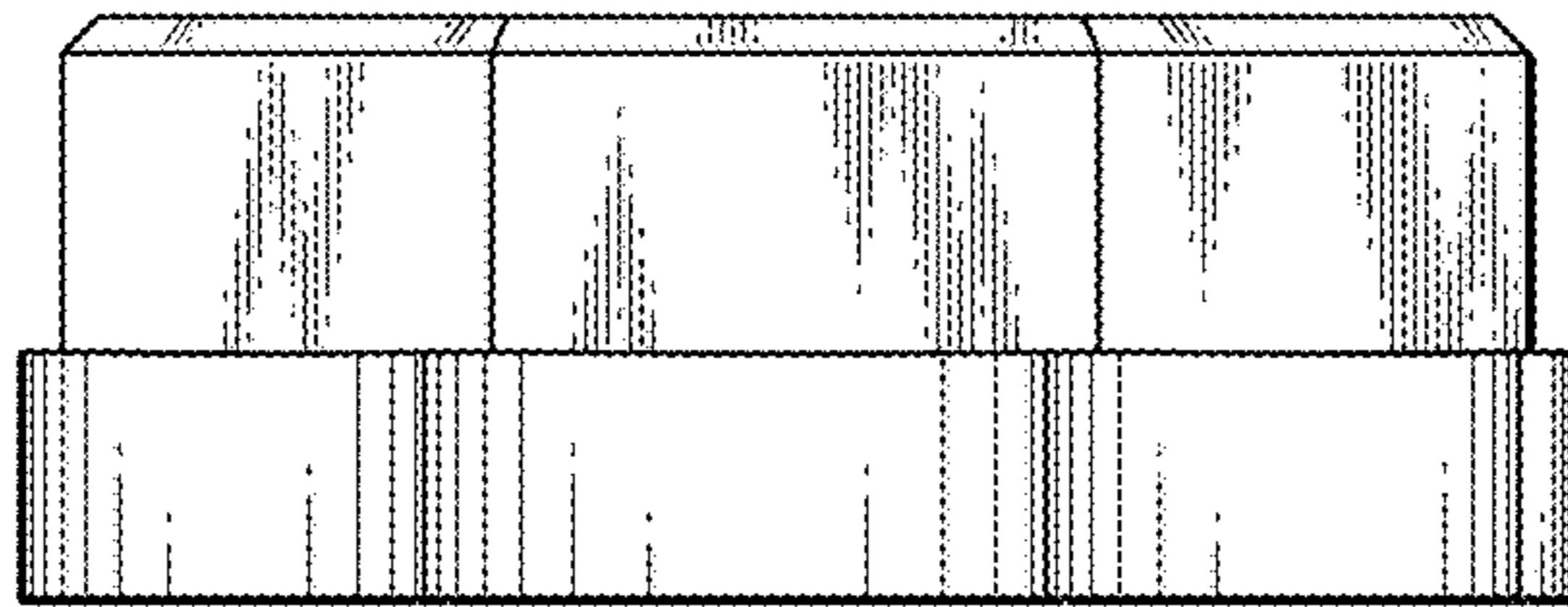


FIG. 3

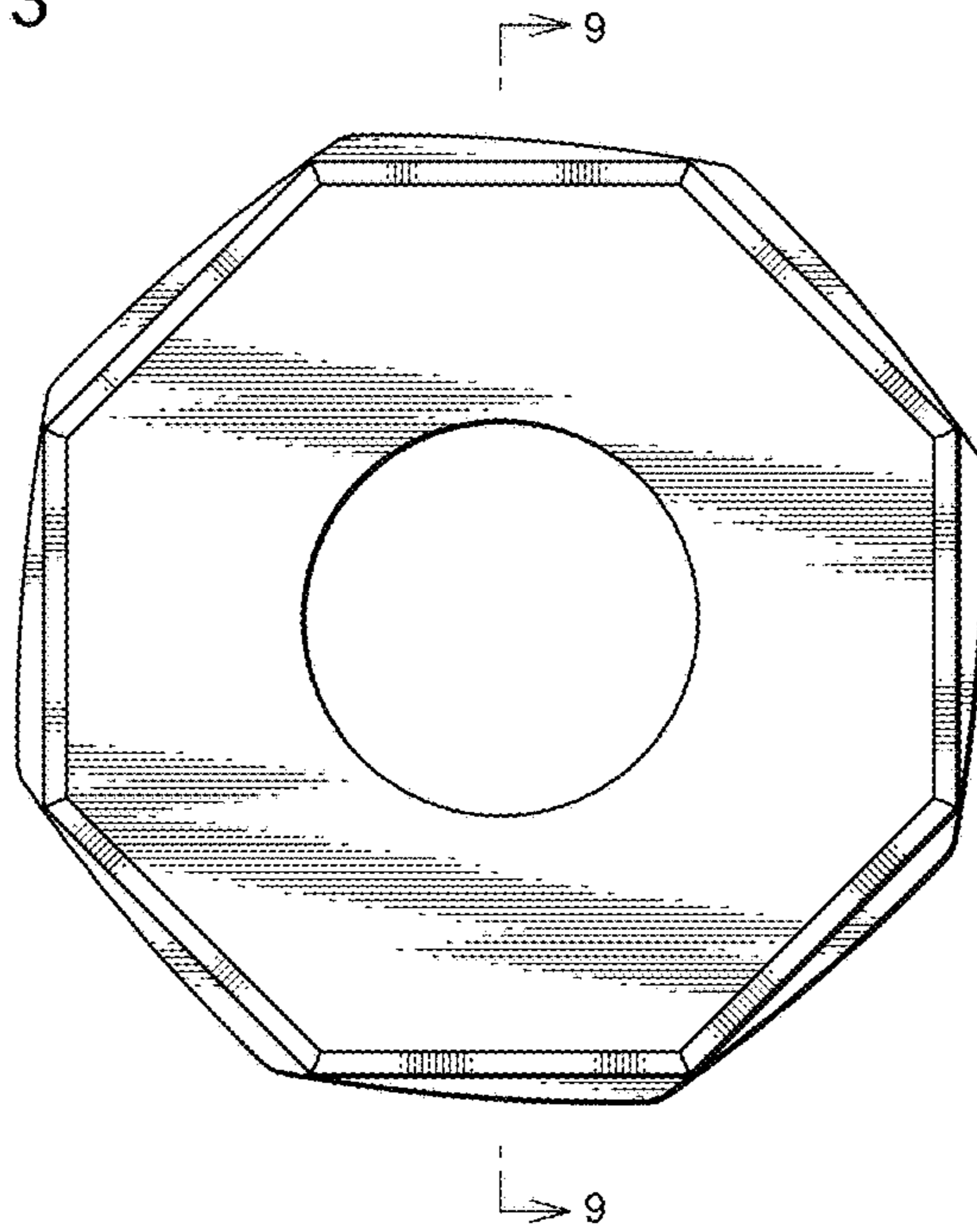


FIG. 4

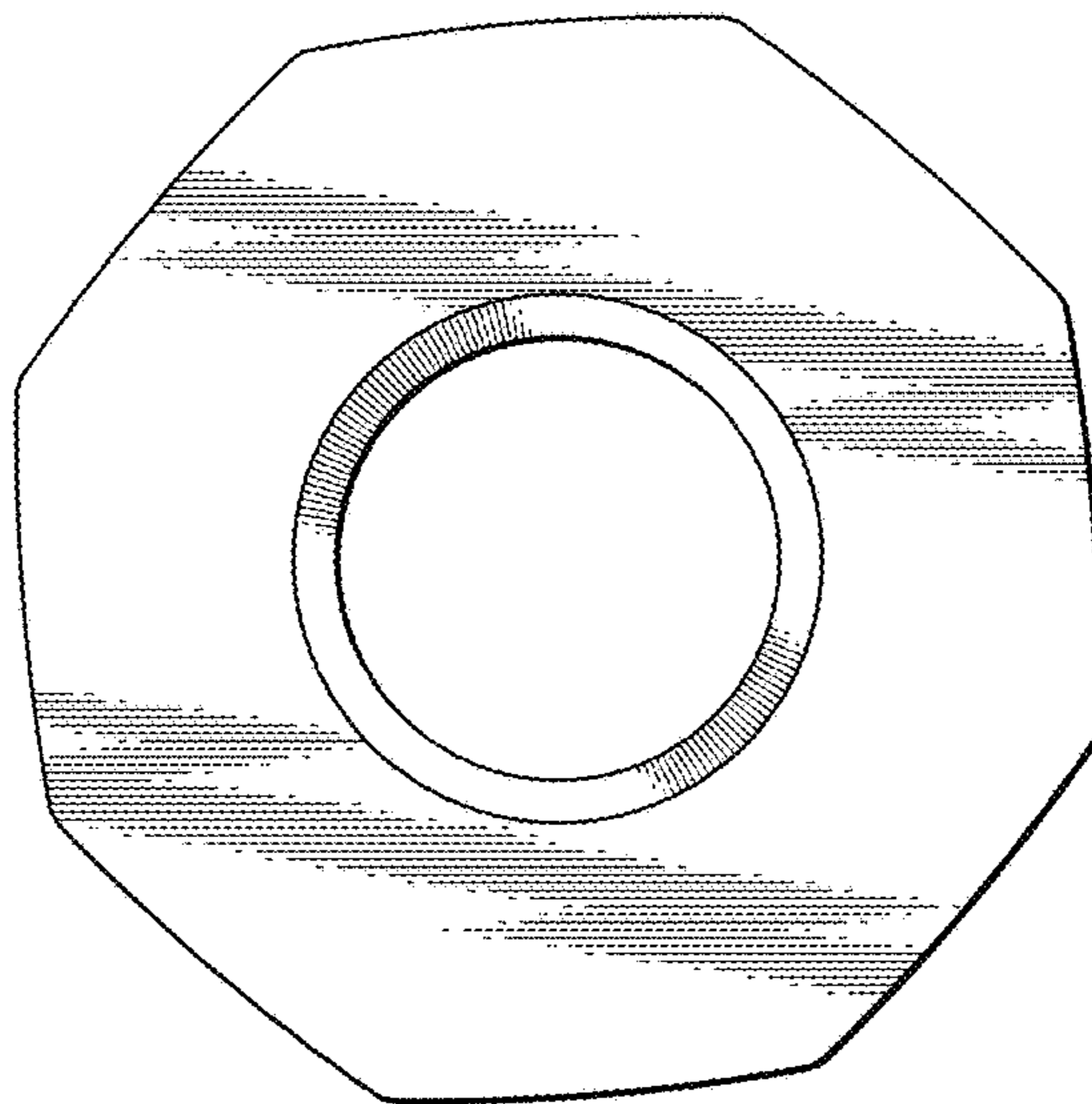


FIG. 5

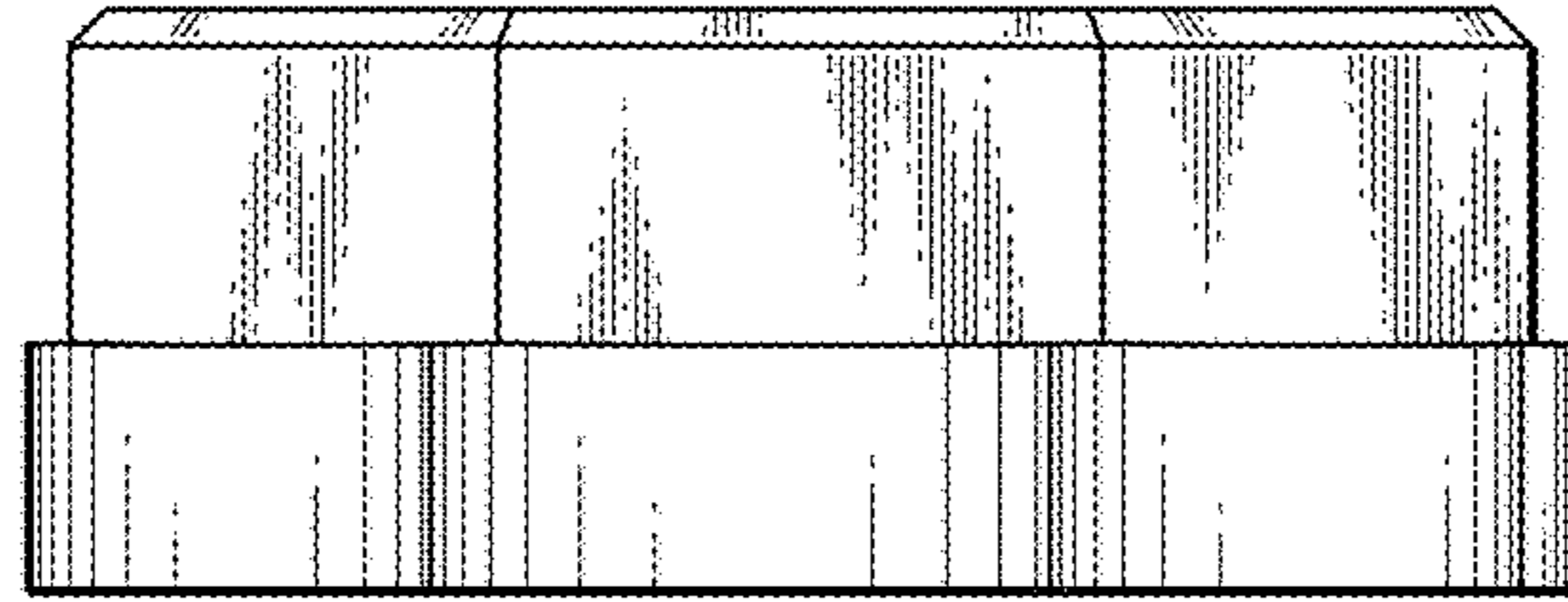


FIG. 6

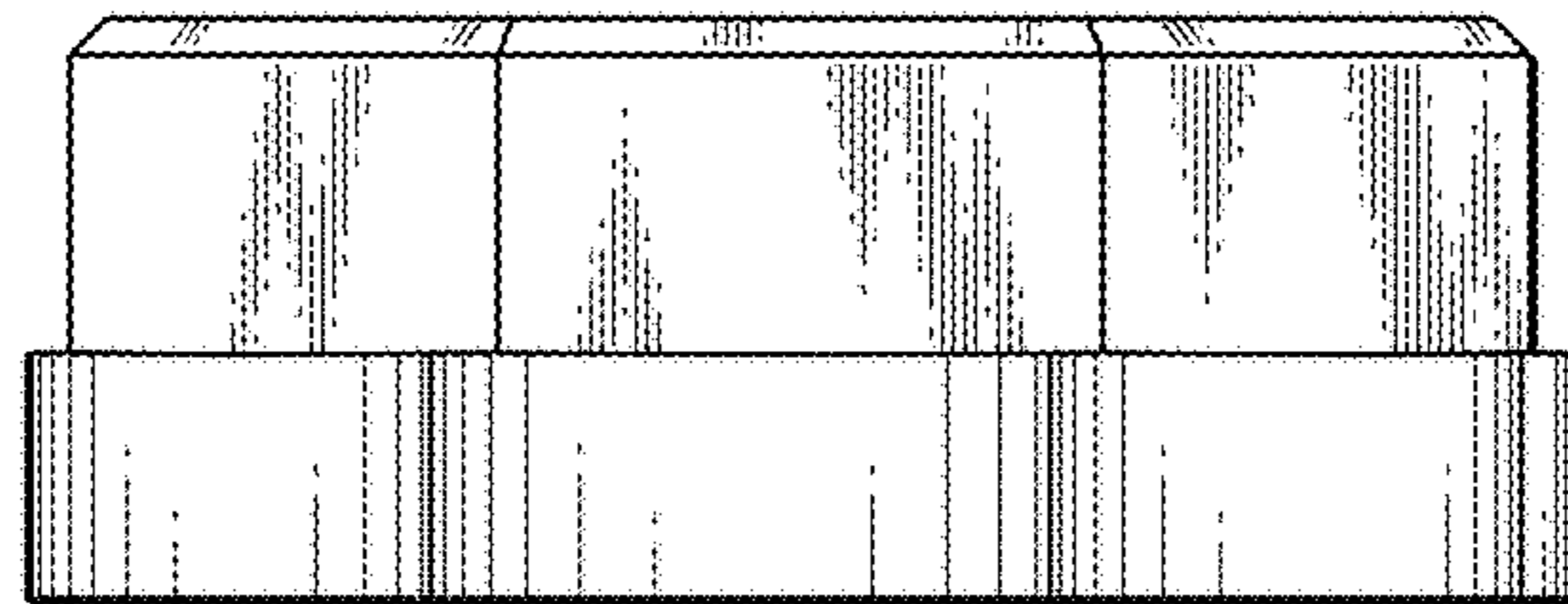


FIG. 7

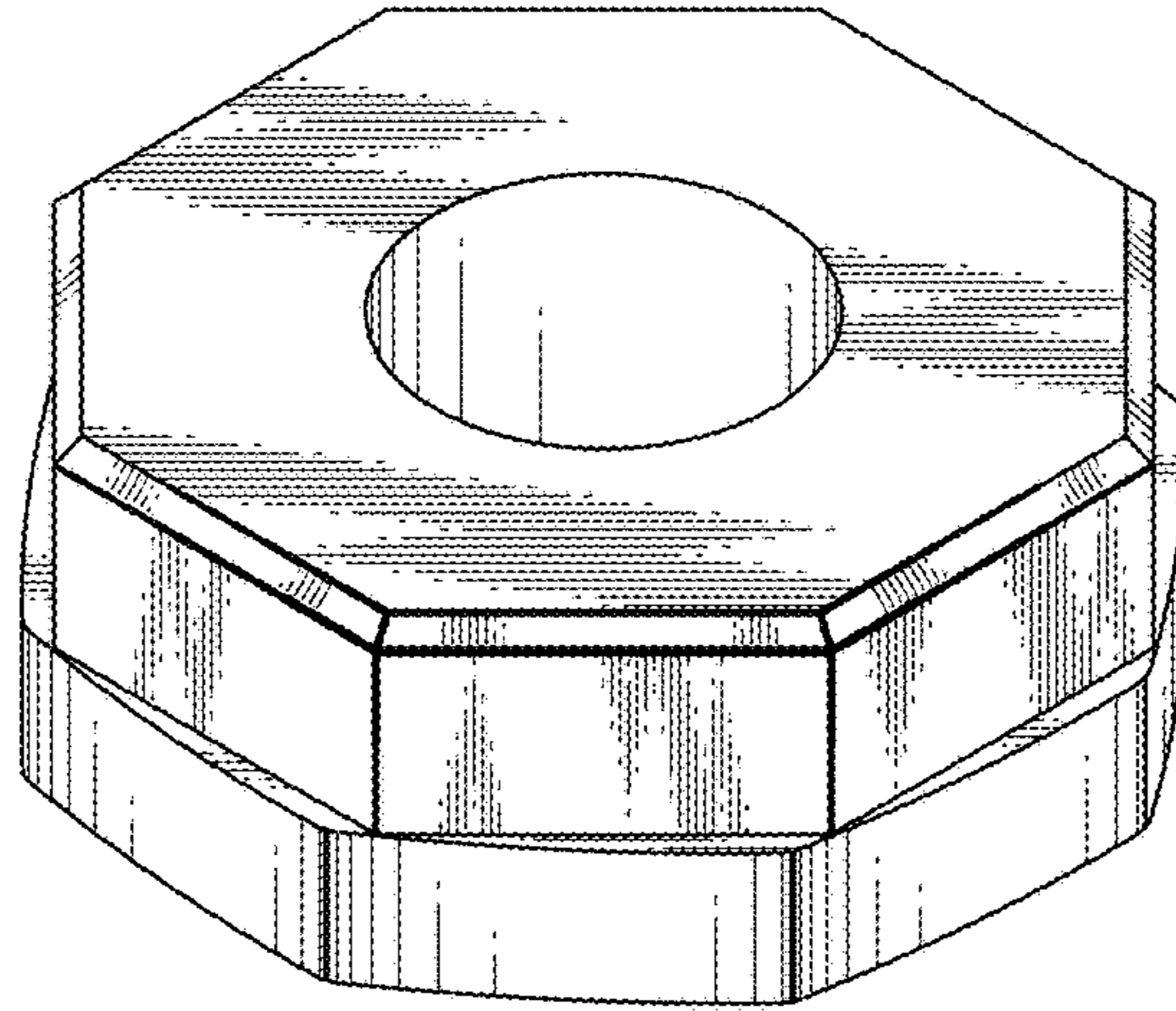


FIG. 8

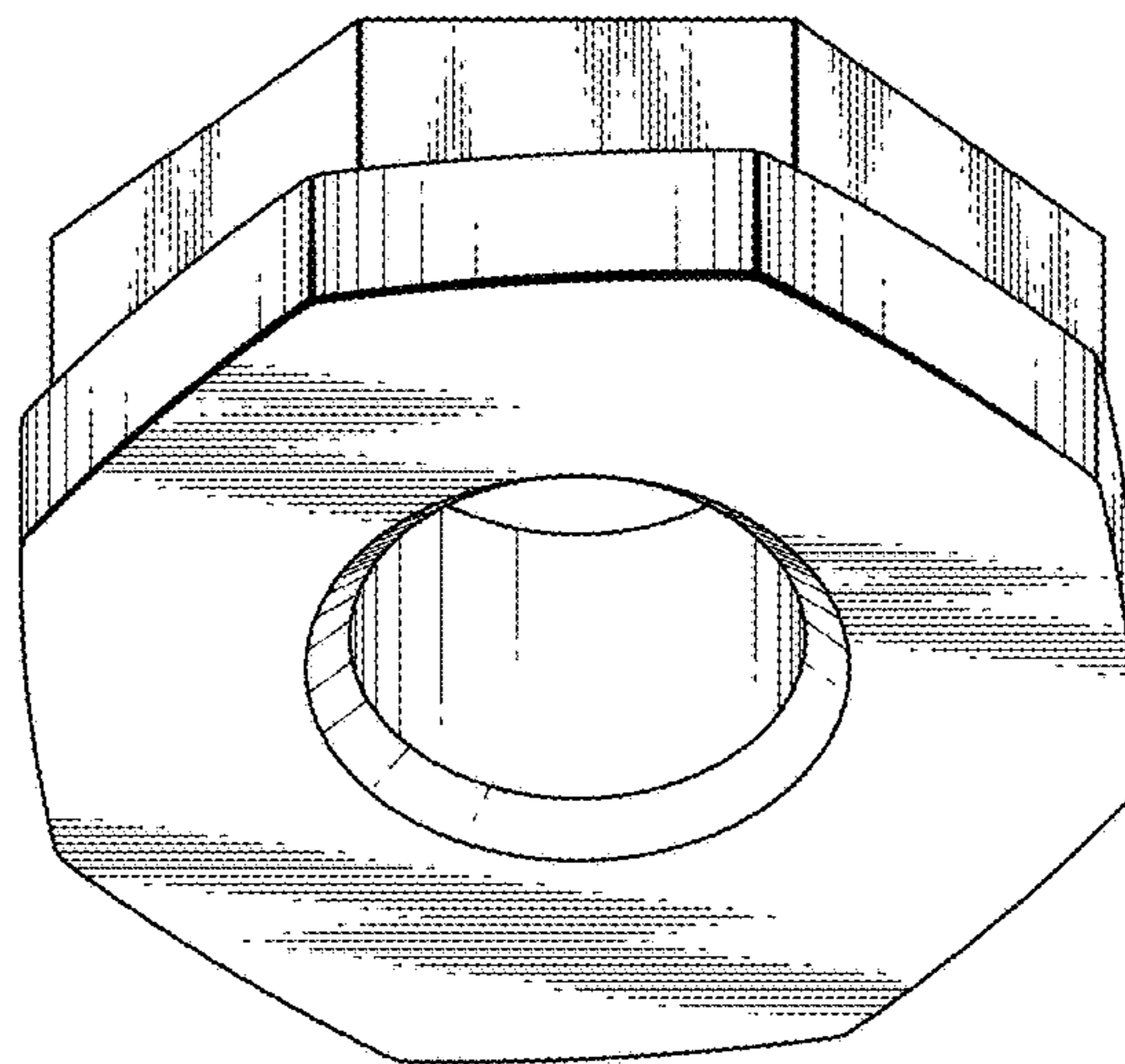


FIG. 9

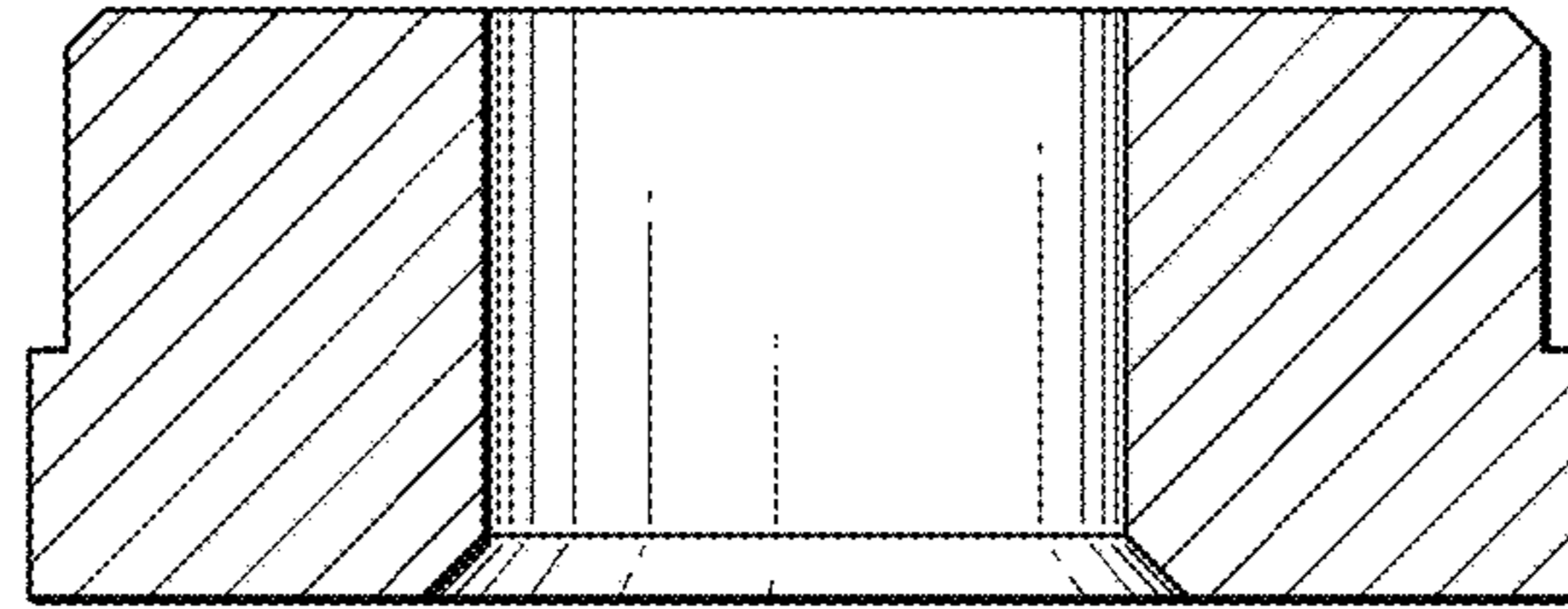


FIG. 10

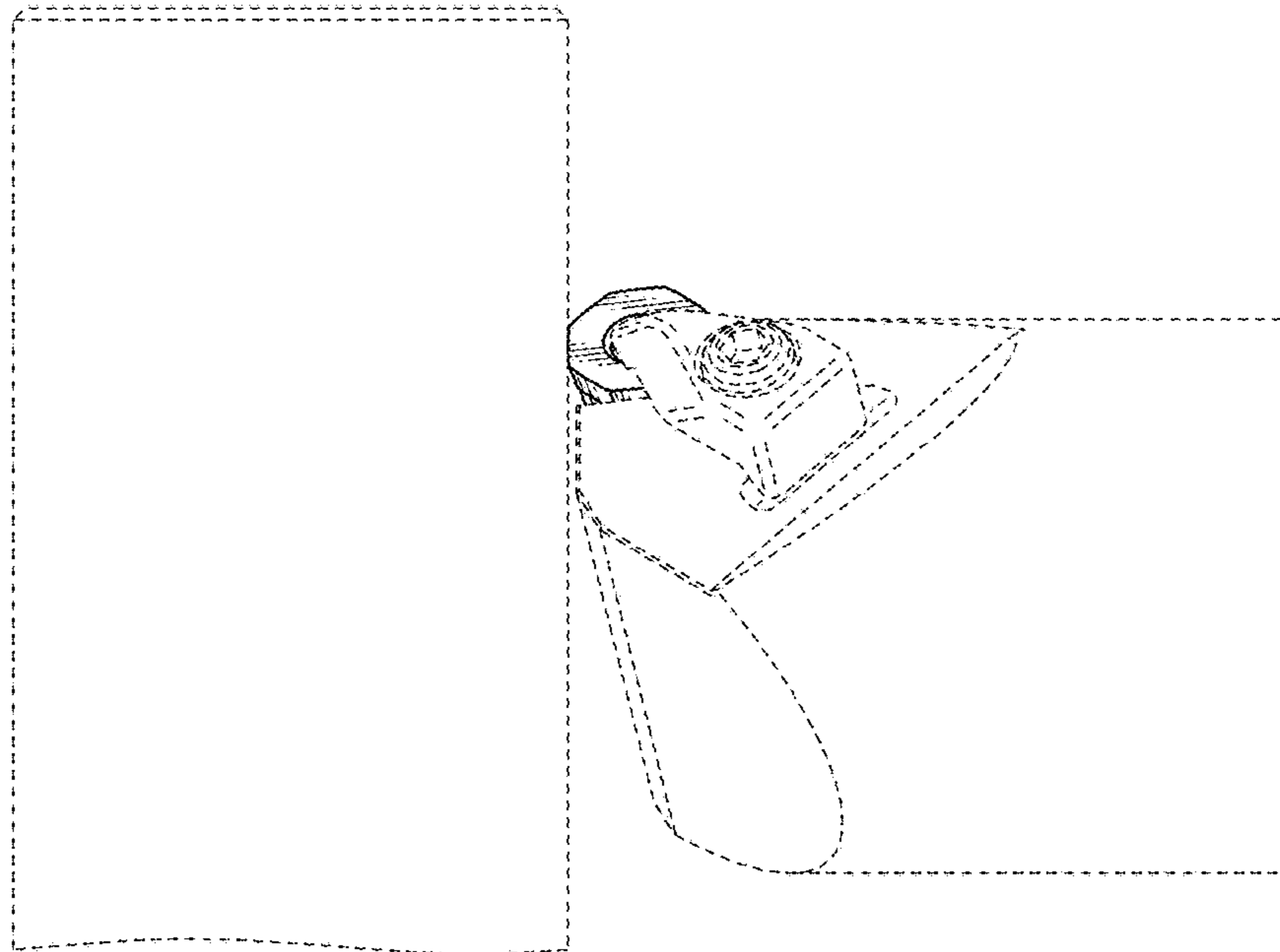


FIG. 11

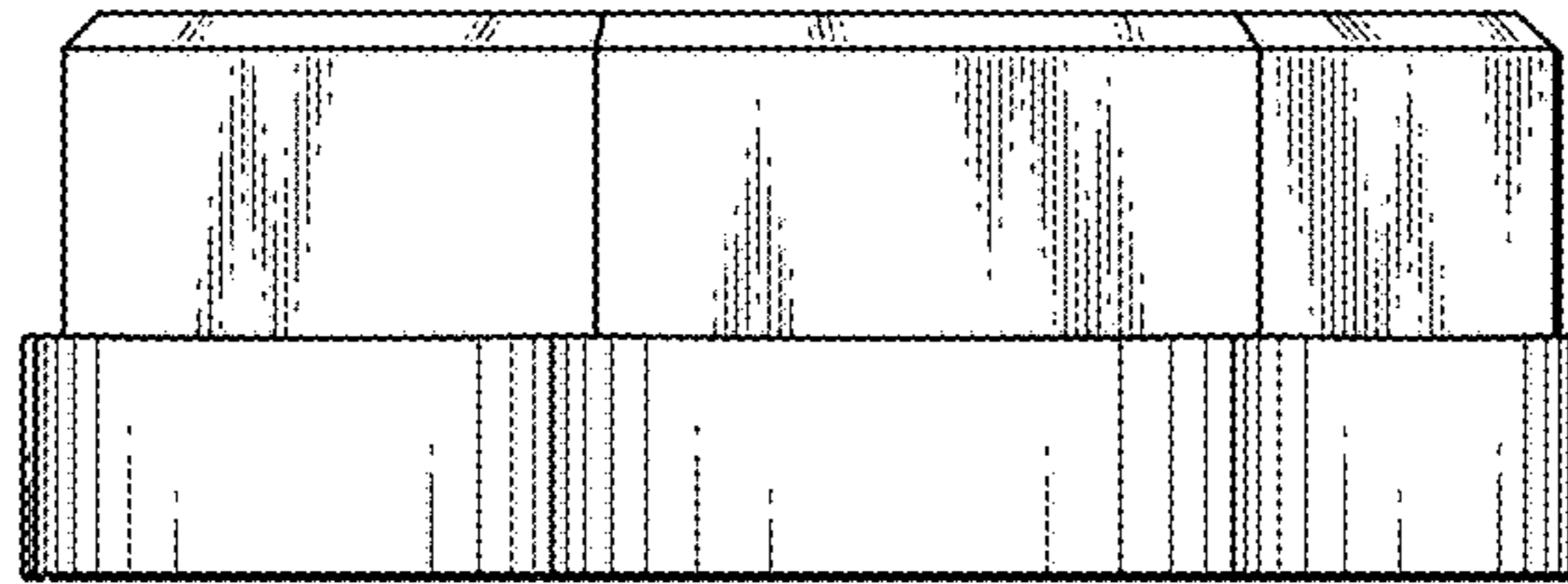


FIG. 12

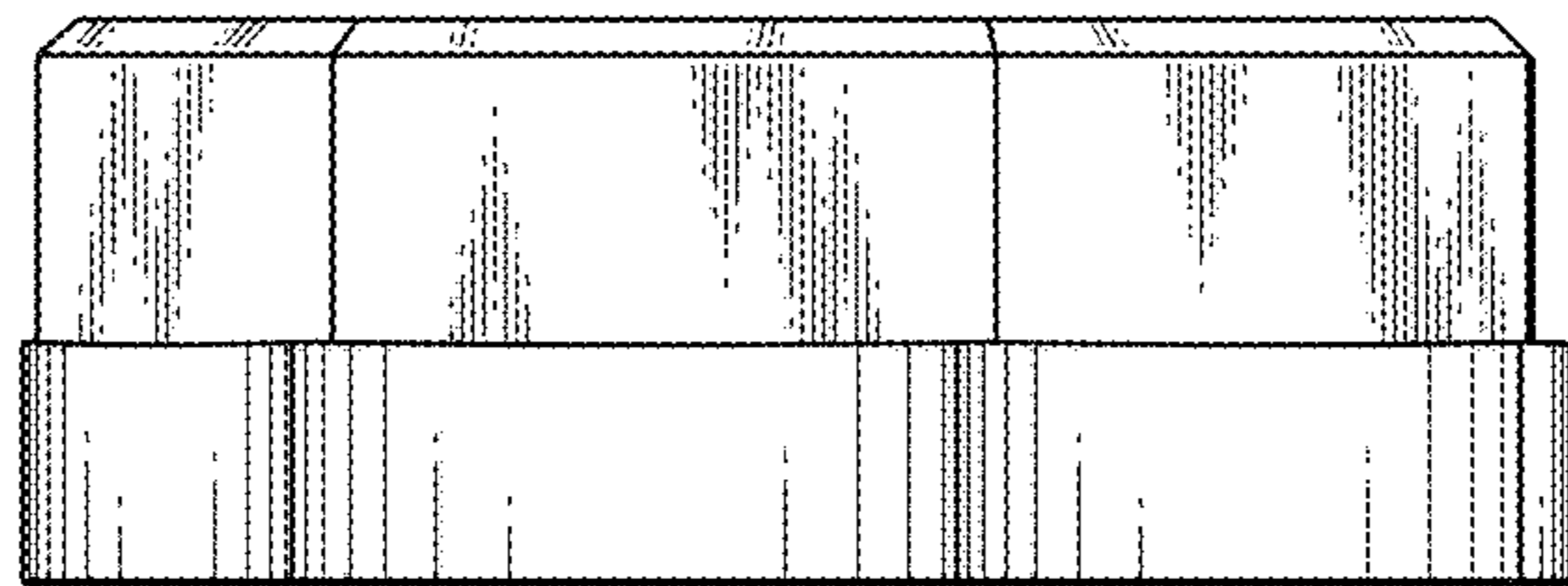


FIG. 13

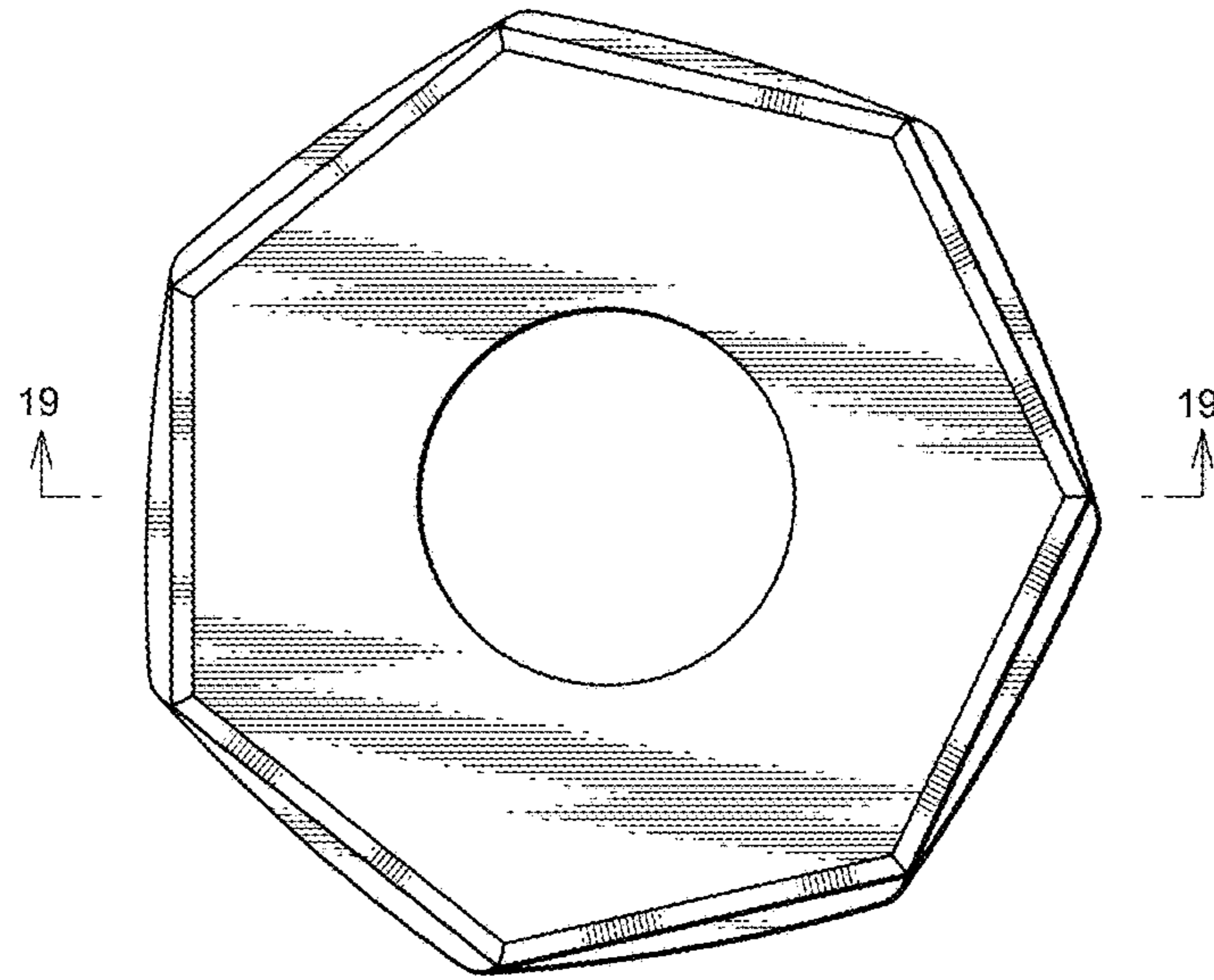


FIG. 14

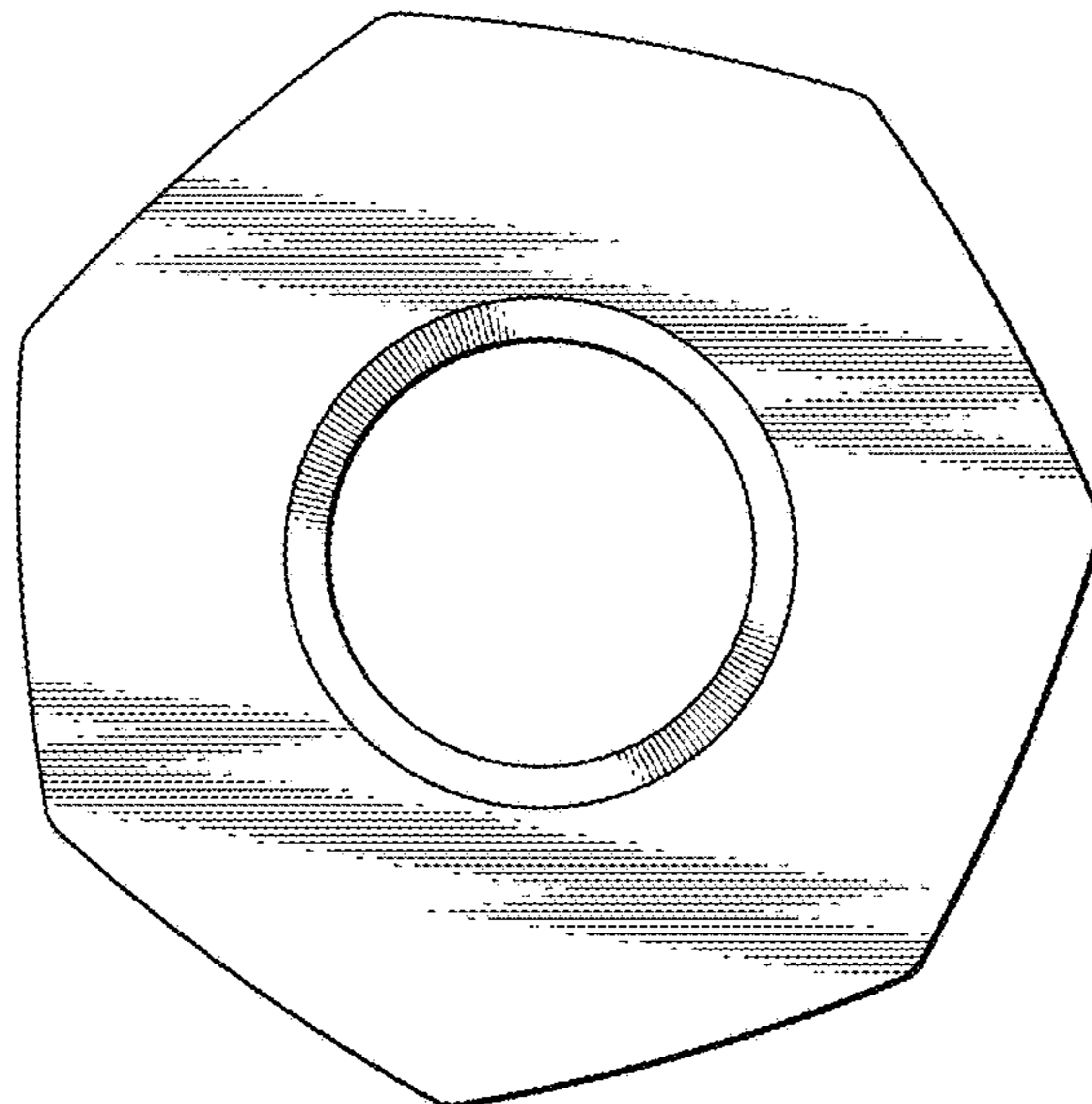


FIG. 15

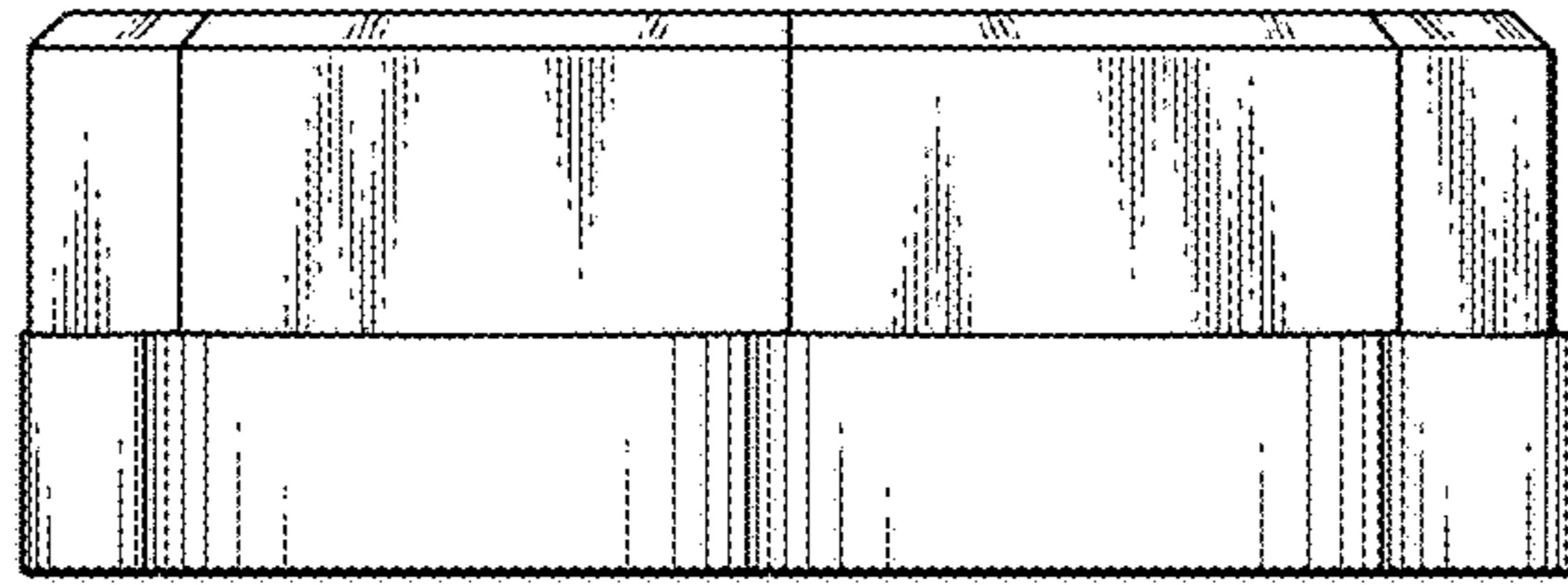


FIG. 16

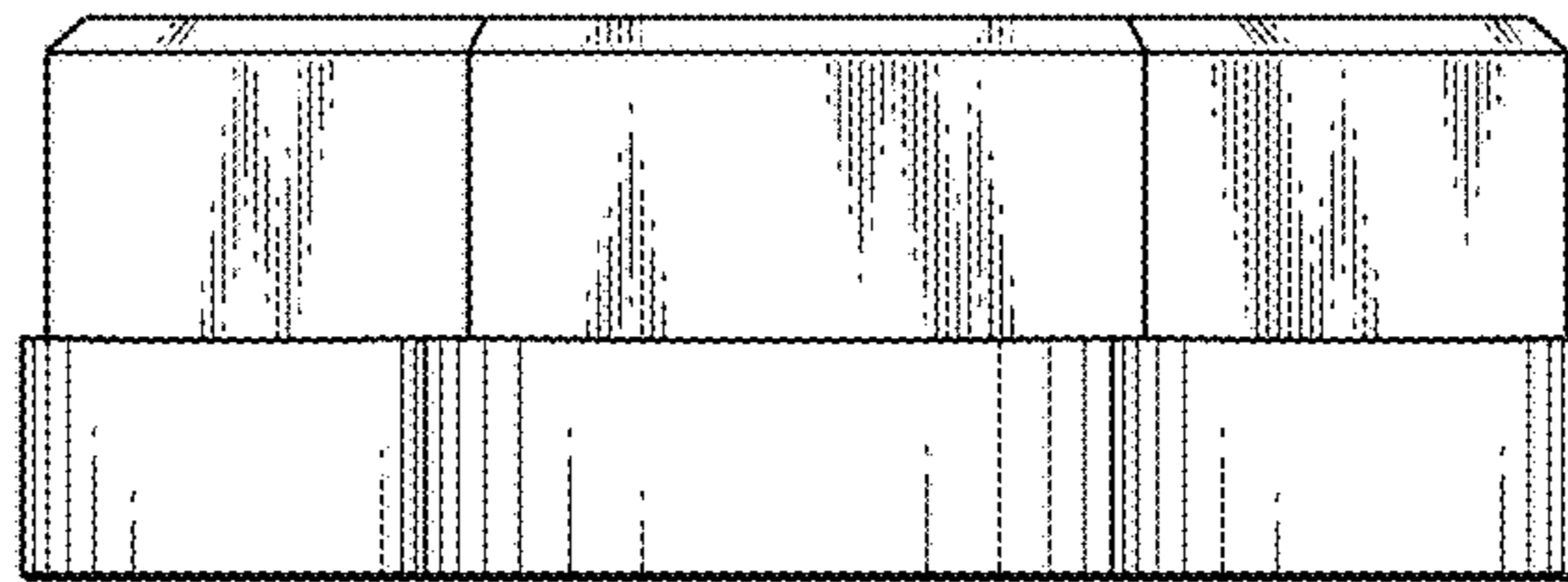


FIG. 17

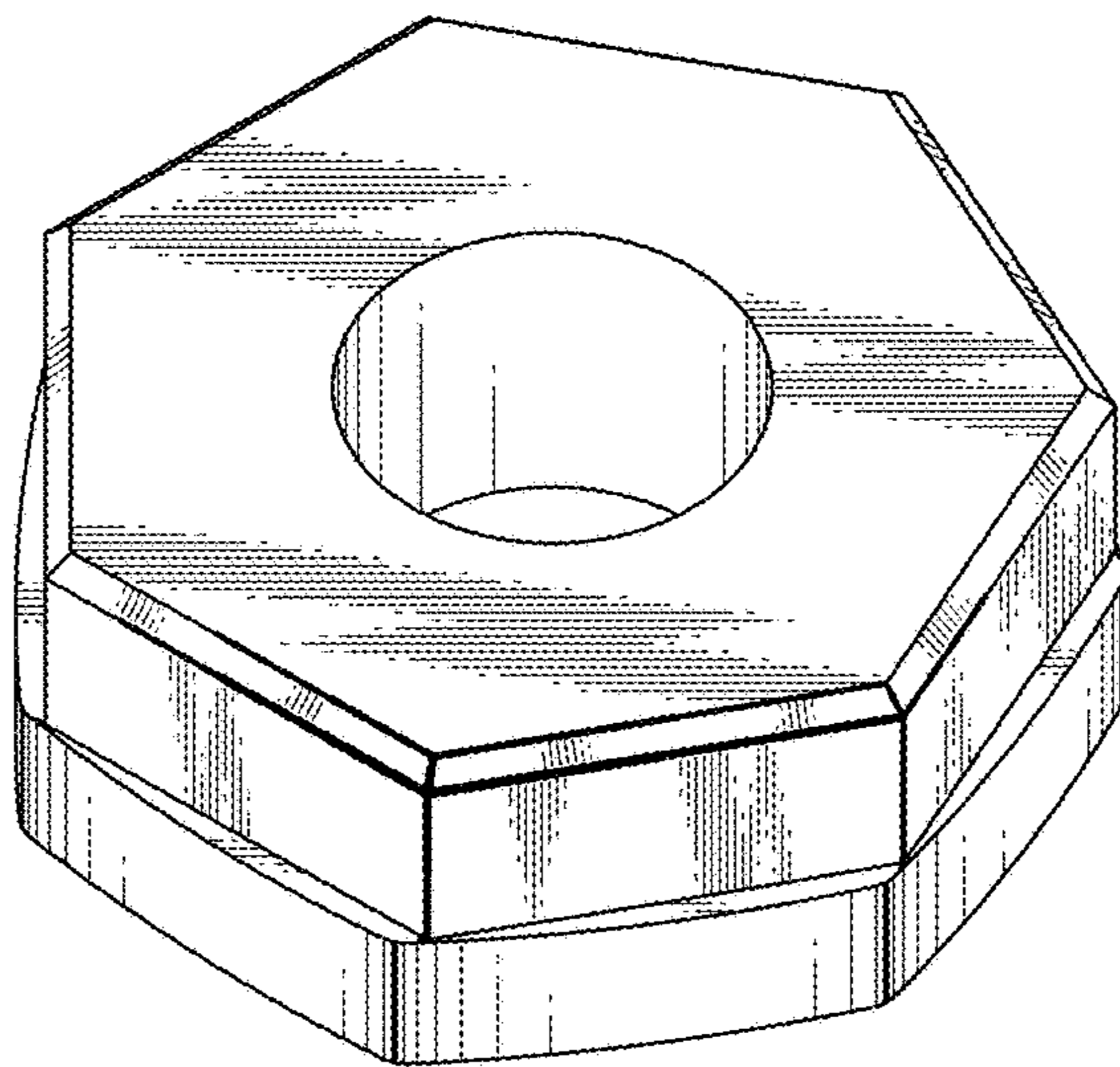


FIG. 18

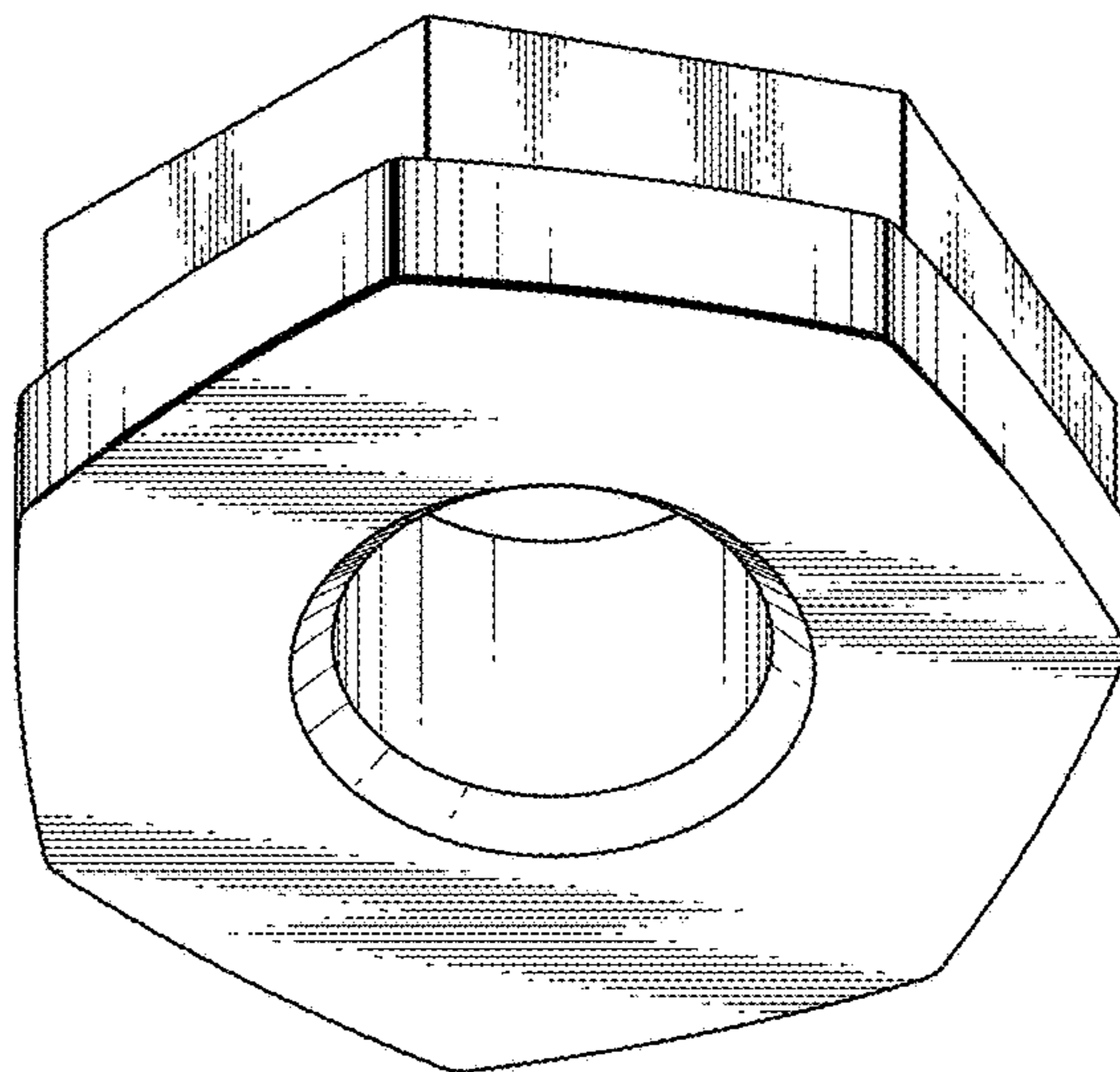


FIG. 19

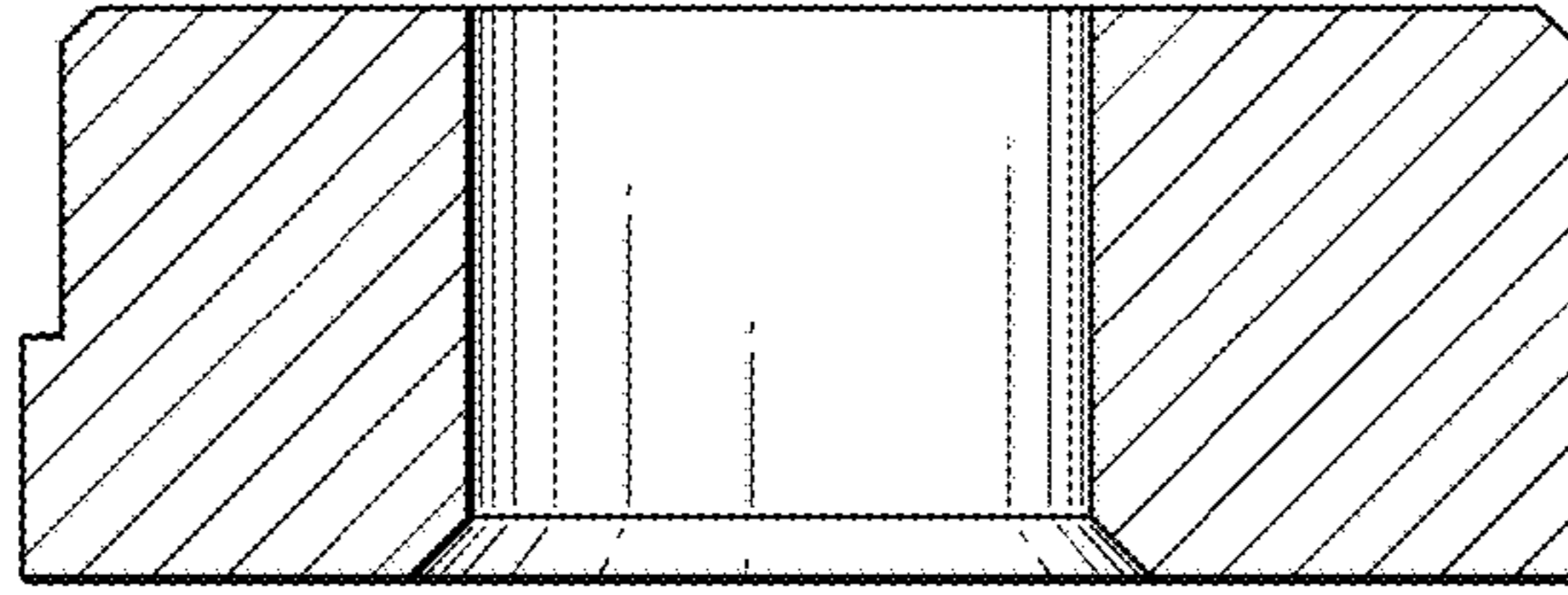


FIG. 20

