

US00D865822S

(12) **United States Design Patent** (10) **Patent No.:** **US D865,822 S**
Murray (45) **Date of Patent:** **** Nov. 5, 2019**

(54) **VISCOUS MATERIAL MIXER**

(71) Applicant: **Scott A. Murray**, Kansas City, KS (US)

(72) Inventor: **Scott A. Murray**, Kansas City, KS (US)

(**) Term: **15 Years**

(21) Appl. No.: **29/655,315**

(22) Filed: **Jul. 2, 2018**

(51) **LOC (12) Cl.** **15-09**

(52) **U.S. Cl.**
USPC **D15/138**

(58) **Field of Classification Search**
USPC D8/70; D15/1, 2, 5, 21, 22, 131, 132, D15/137-140, 147; D23/233, 235, 548; D7/376, 379, 387, 412, 426
CPC B01F 7/042; B01F 7/183
See application file for complete search history.

(56) **References Cited**

U.S. PATENT DOCUMENTS

D328,905 S *	8/1992	Triano	D15/138
5,403,091 A *	4/1995	Thomas	B01F 7/00166 366/279
D529,526 S *	10/2006	Gringer	D15/147
D566,143 S *	4/2008	Rosso	D15/138
D576,186 S *	9/2008	Rosso	D15/138
D607,476 S *	1/2010	Saul	D15/138
D664,262 S *	7/2012	Khan	D15/29
D766,658 S *	9/2016	Strommer	D7/376
D767,332 S *	9/2016	Strommer	D7/376
9,573,206 B2 *	2/2017	Lokkinen	B26D 3/163
D798,923 S *	10/2017	Homola	D15/139
2008/0050190 A1 *	2/2008	Miebach	B27G 15/00 408/225

(Continued)

Primary Examiner — Garth Rademaker
Assistant Examiner — Fitzgerald L Butac

(74) *Attorney, Agent, or Firm* — Law Office of Mark Brown, LLC; Mark E. Brown; Ryan S. Hinderliter

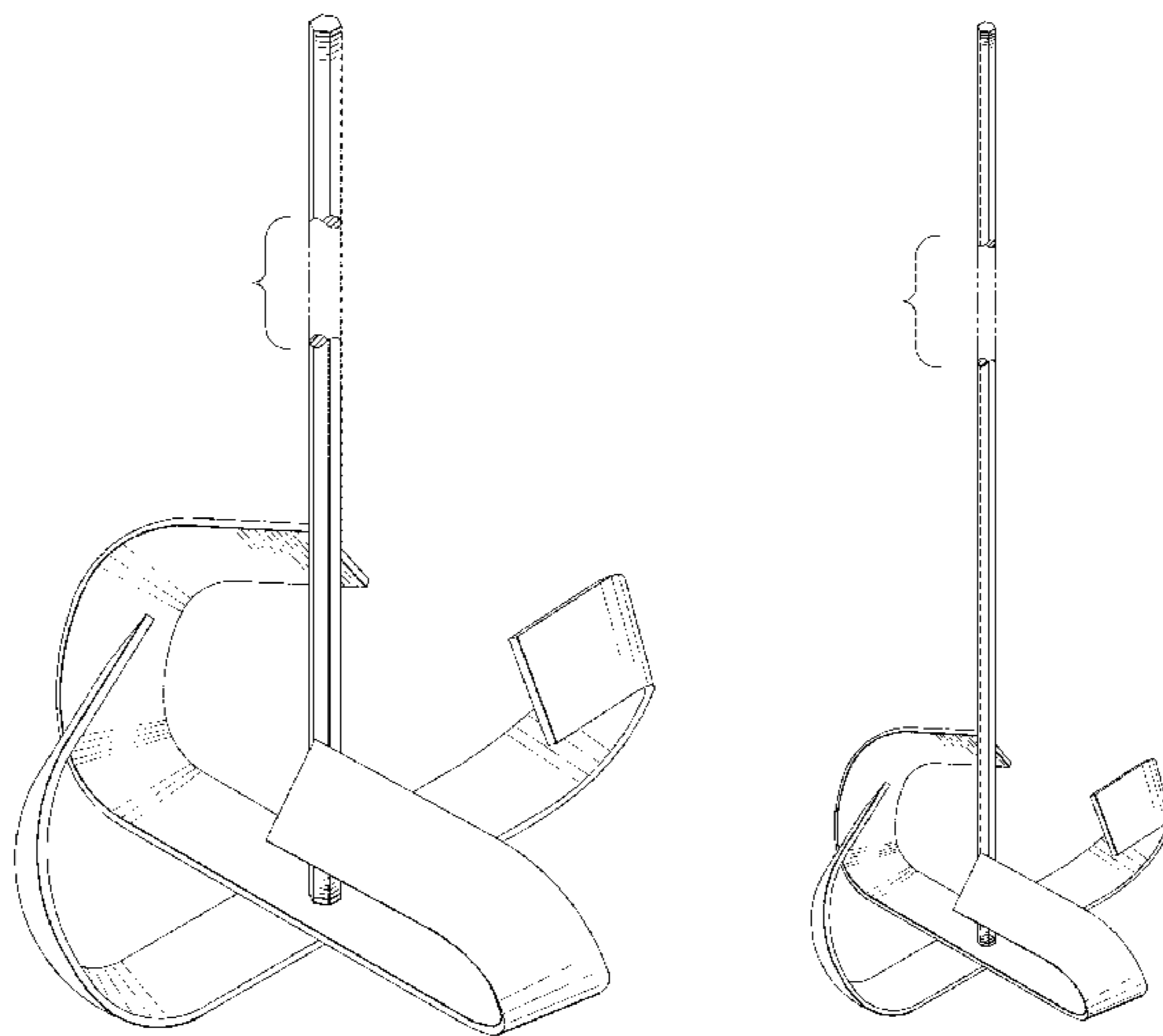
(57) **CLAIM**

The ornamental design for a viscous material mixer, as shown and described.

DESCRIPTION

FIG. 1 is a top perspective view of a first embodiment of a viscous material mixer showing my new design; FIG. 2 is a bottom perspective view thereof; FIG. 3 is a front elevational view thereof, a rear elevation view being identical thereto; FIG. 4 is a right side elevational view thereof, a left side elevational view being identical thereto; FIG. 5 is a top plan view thereof; FIG. 6 is a bottom plan view thereof; FIG. 7 is a top perspective view of a second embodiment of a viscous material mixer showing my new design; FIG. 8 is a bottom perspective view thereof; FIG. 9 is a front elevational view thereof, a rear elevation view being identical thereto; FIG. 10 is a right side elevational view thereof, a left side elevational view being identical thereto; FIG. 11 is a top plan view thereof; FIG. 12 is a bottom plan view thereof; FIG. 13 is a top perspective view of a third embodiment of a viscous material mixer showing my new design; FIG. 14 is a bottom perspective view thereof; FIG. 15 is a front elevational view thereof, a rear elevation view being identical thereto; FIG. 16 is a right side elevational view thereof, a left side elevational view being identical thereto; FIG. 17 is a top plan view thereof; and, FIG. 18 is a bottom plan view thereof. The “dash-dot” broken lines within the brackets show a symbolic break in the viscous material mixer’s length. The appearance of any portion of the article between the break lines form no part of the claimed design.

1 Claim, 12 Drawing Sheets



(56)

References Cited

U.S. PATENT DOCUMENTS

2008/0130406 A1* 6/2008 Rosso B01F 7/001
366/342

* cited by examiner

FIG. 1

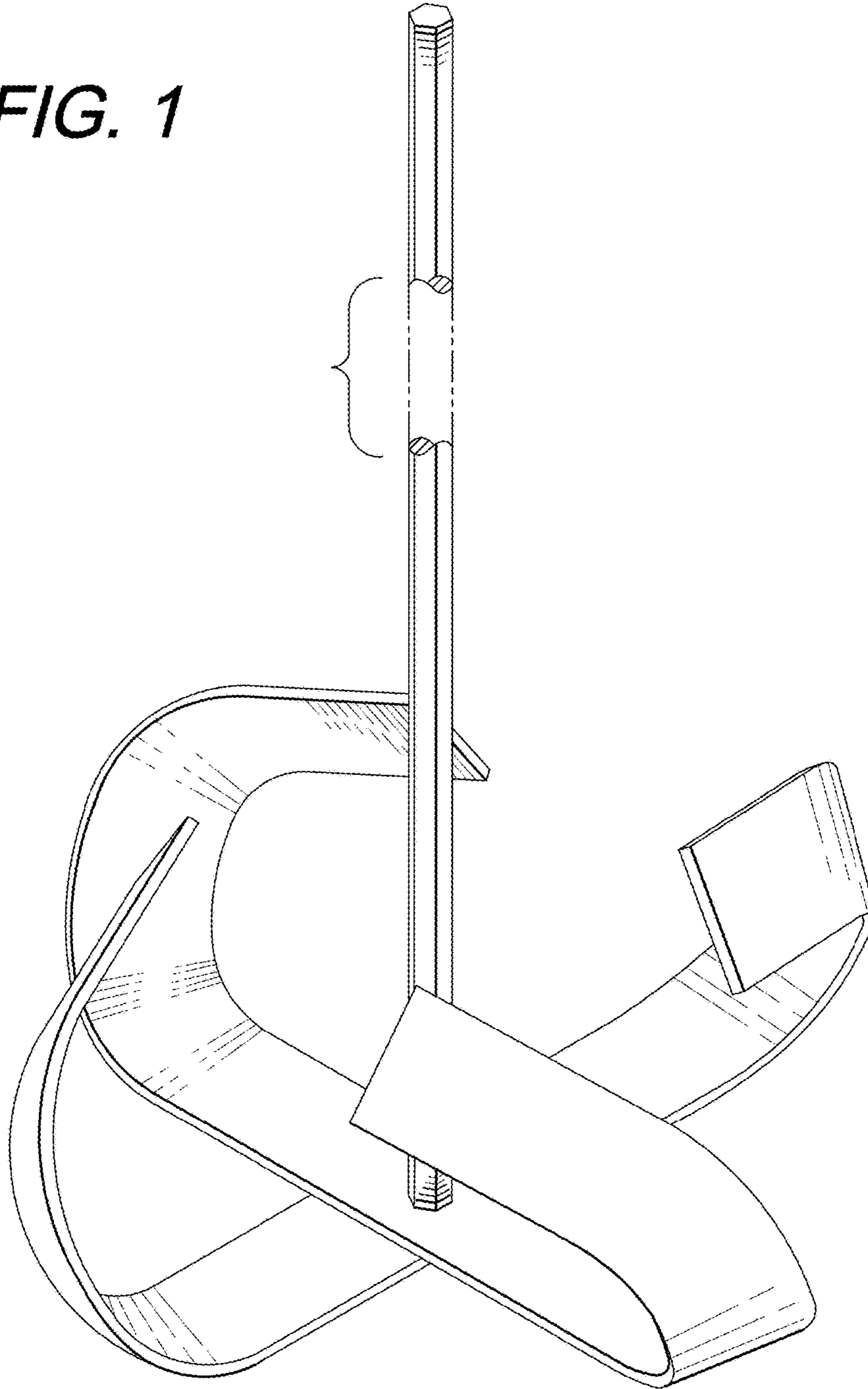


FIG. 2

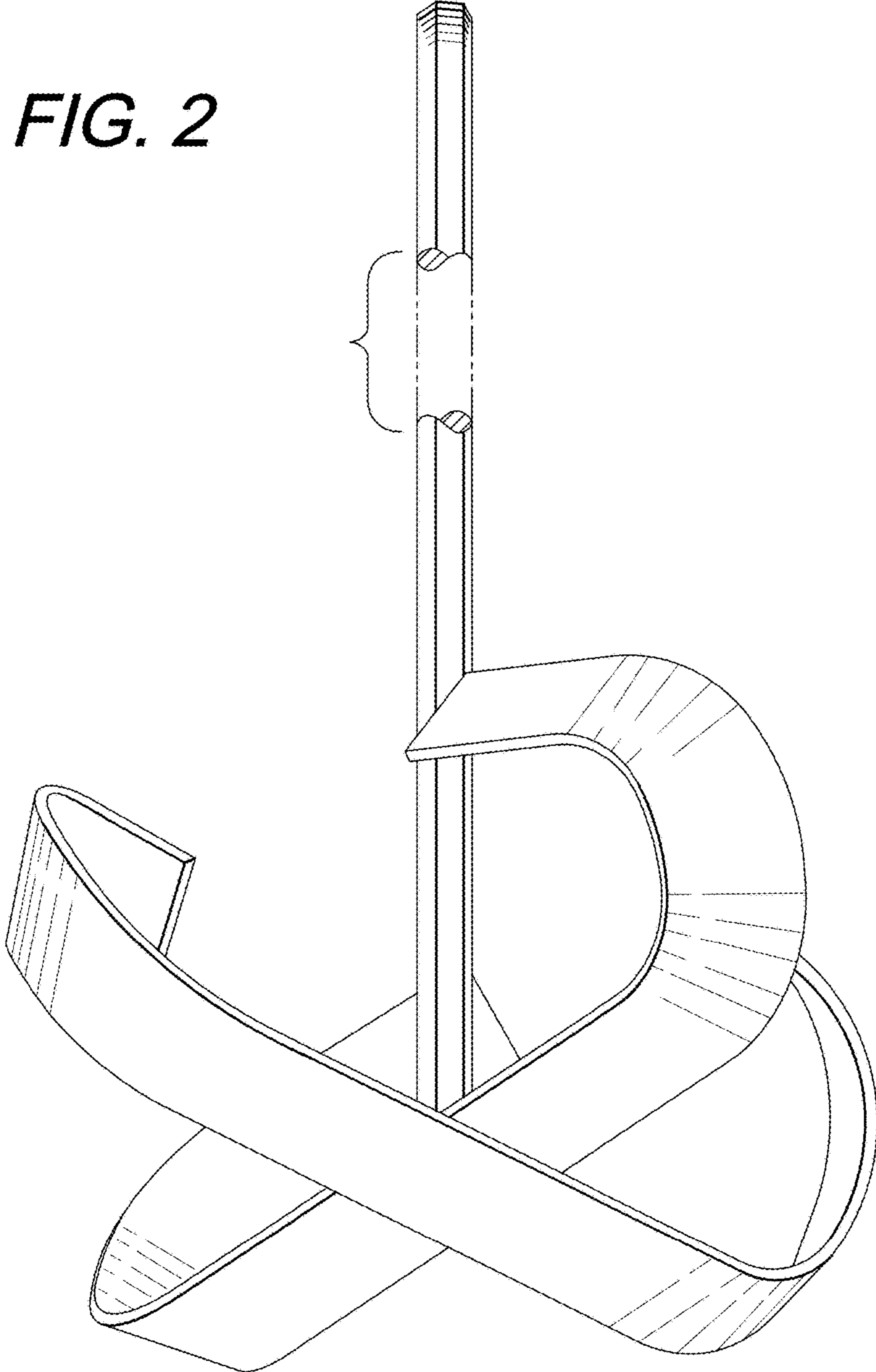


FIG. 3

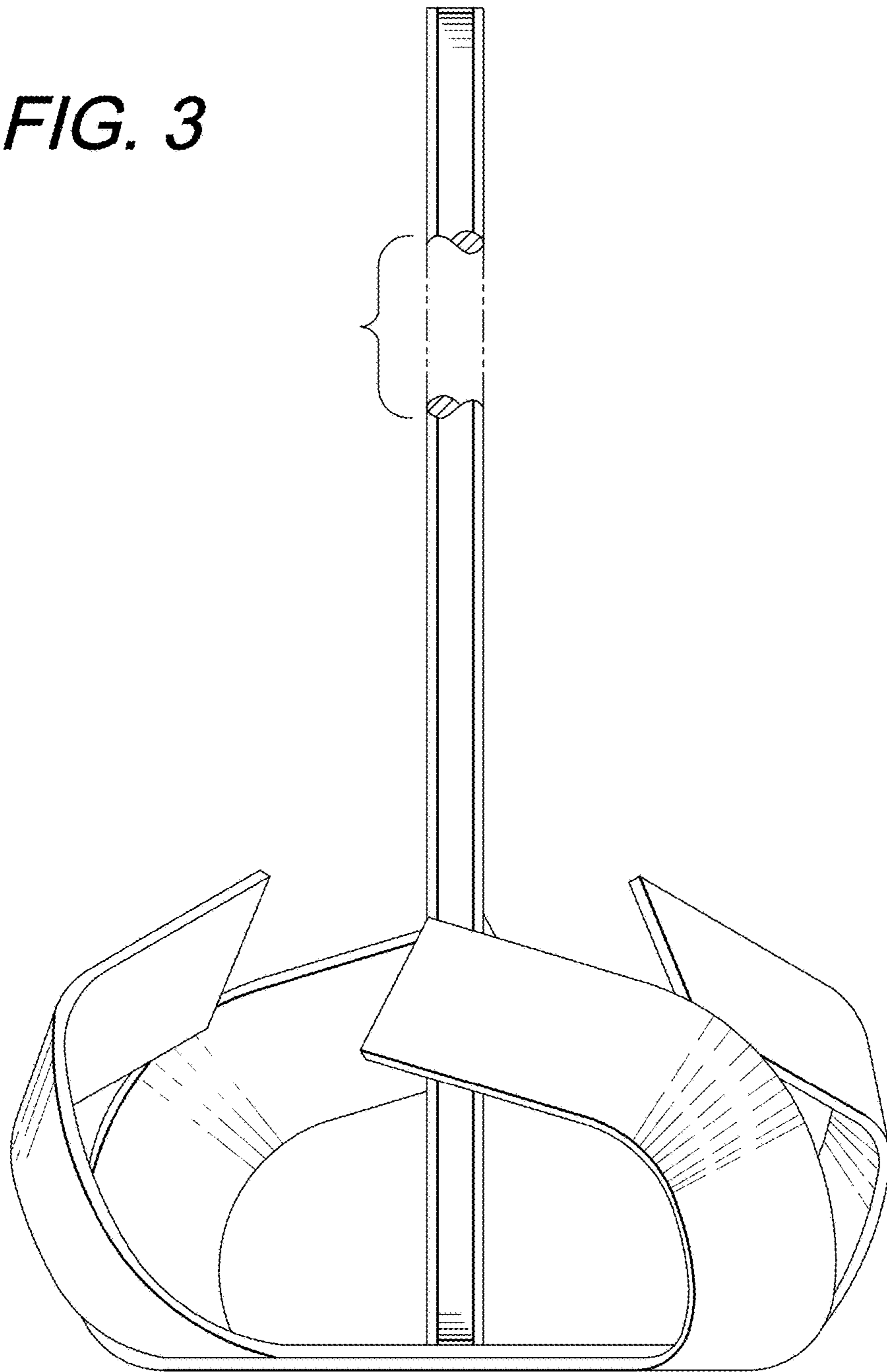
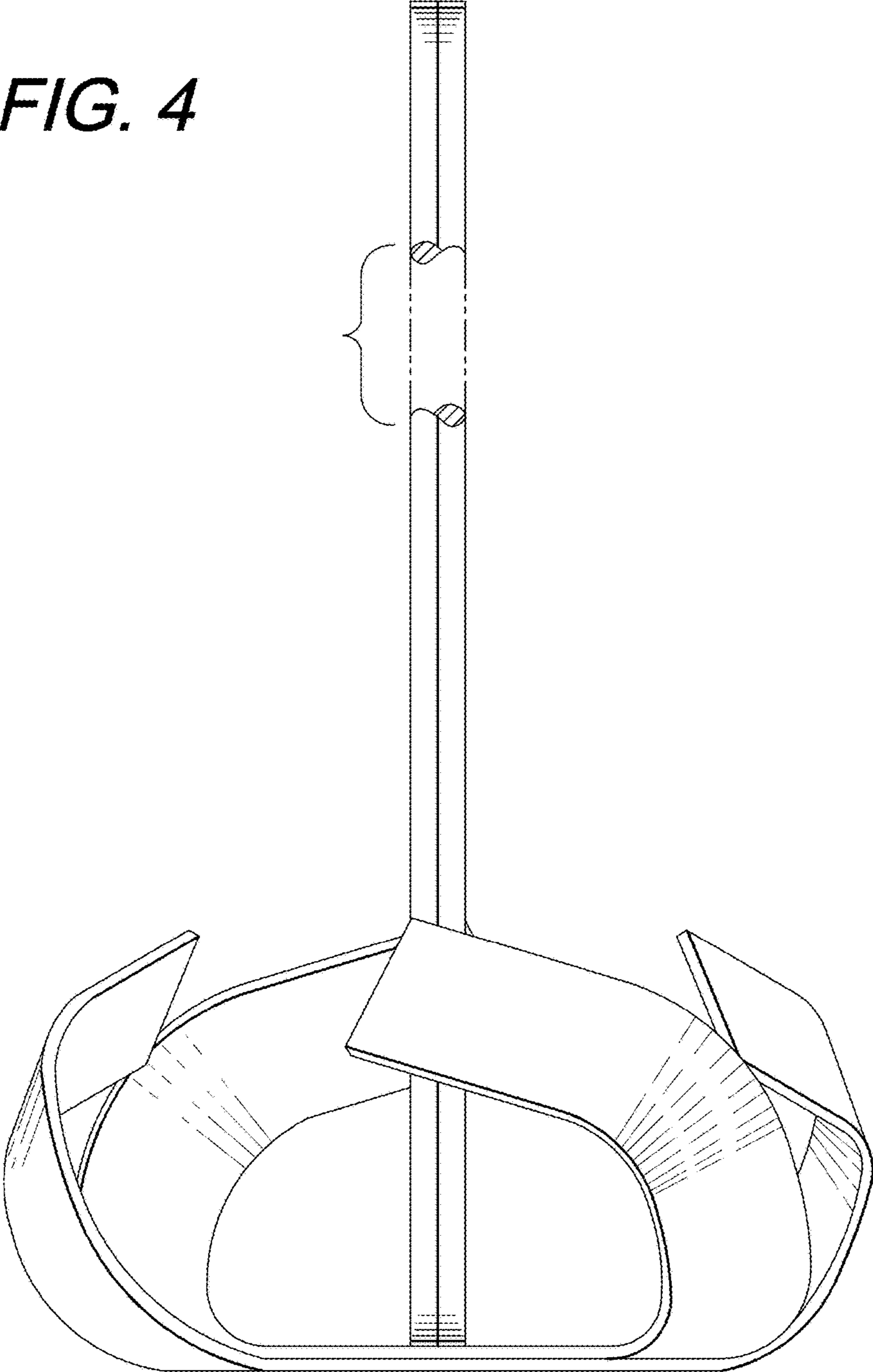


FIG. 4



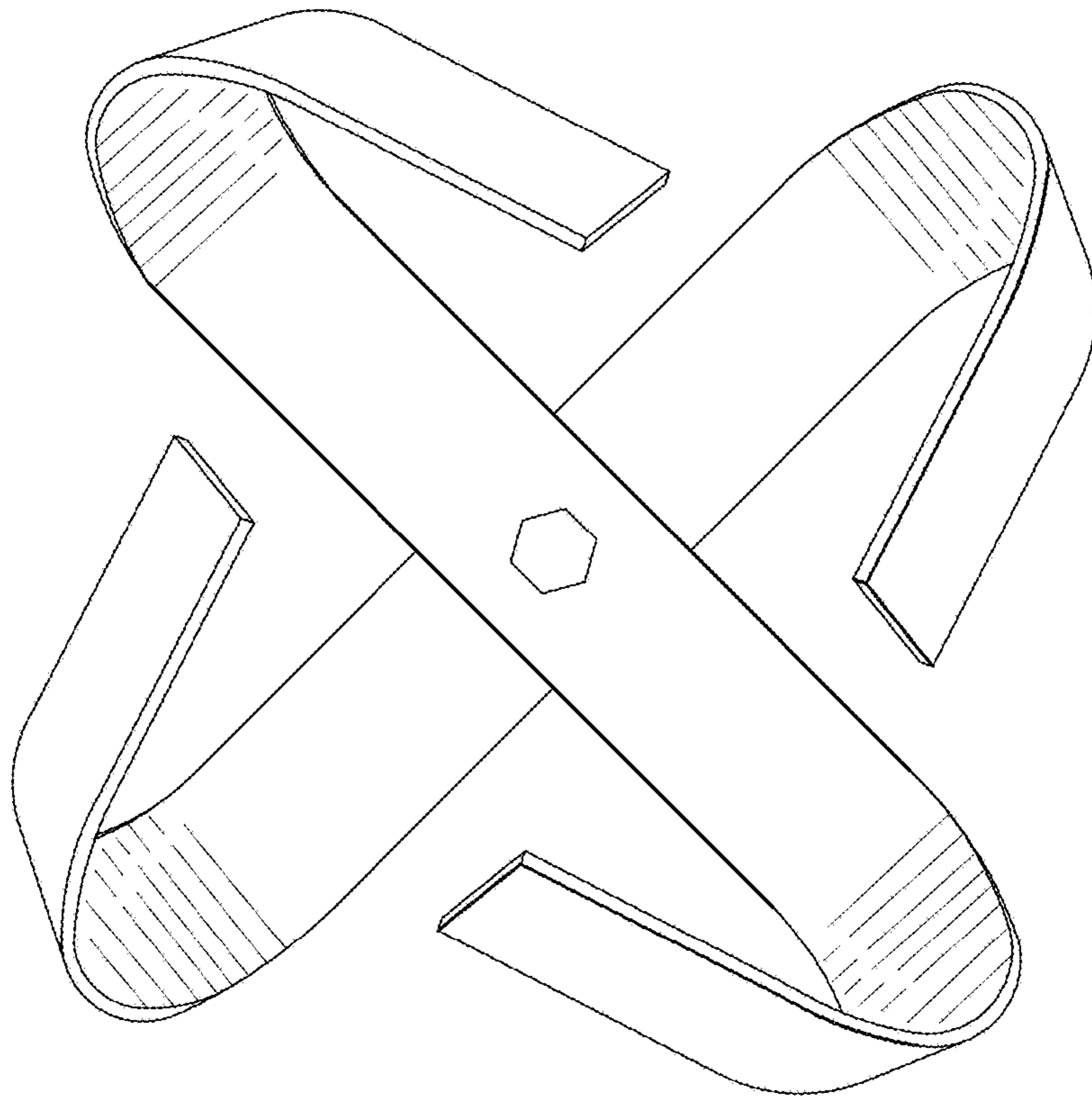


FIG. 5

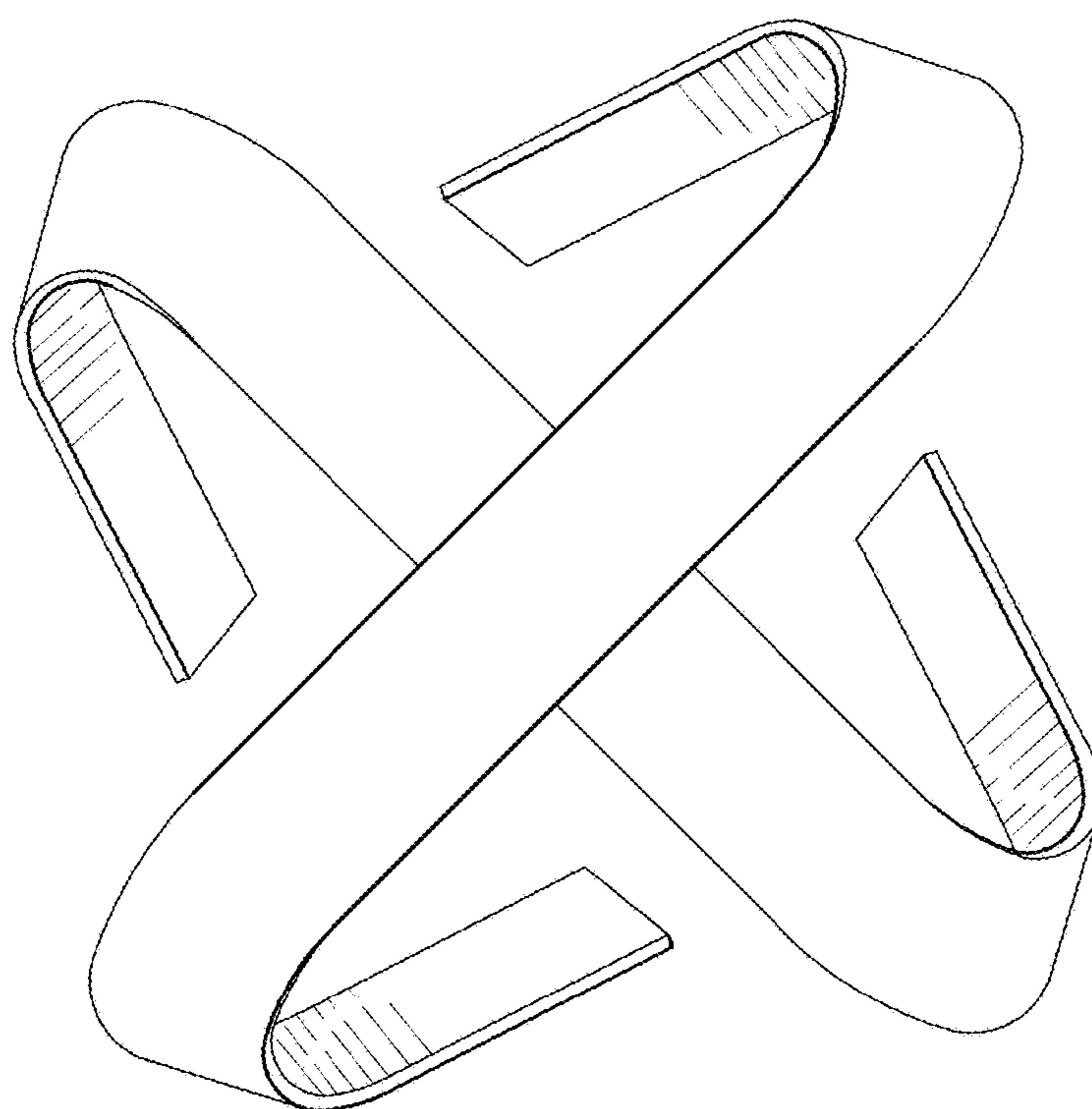


FIG. 6

FIG. 7

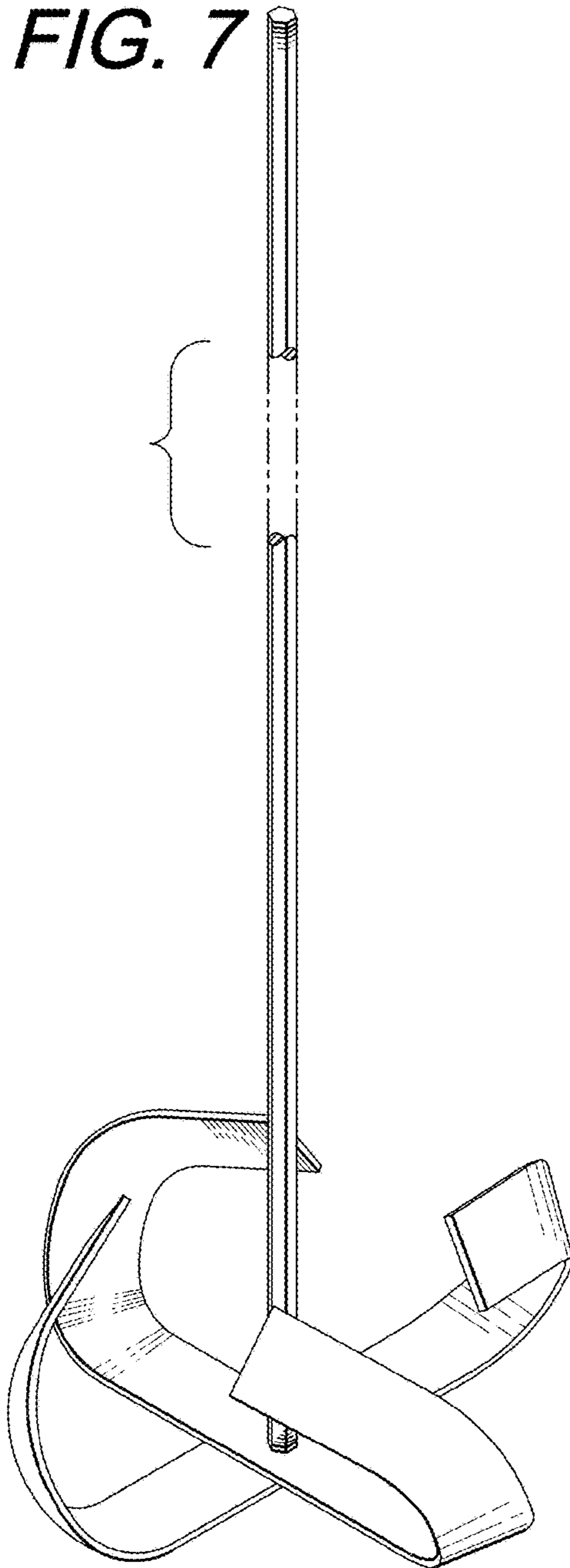


FIG. 8

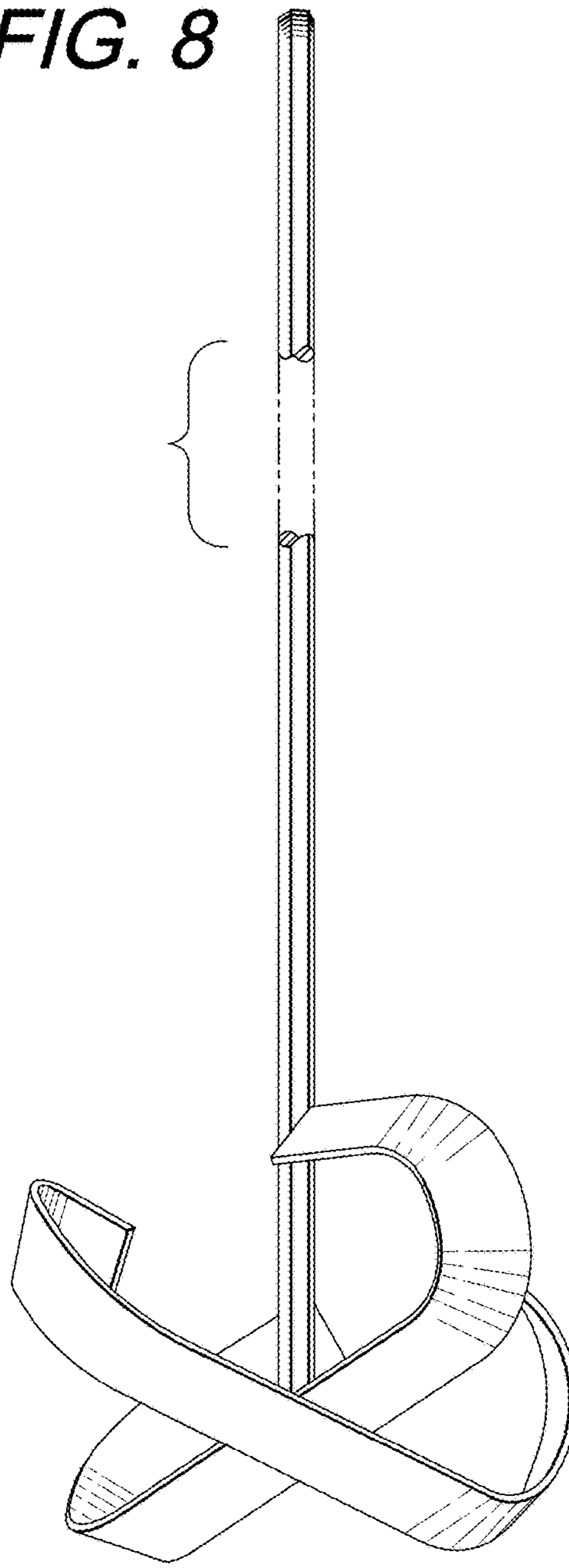


FIG. 9

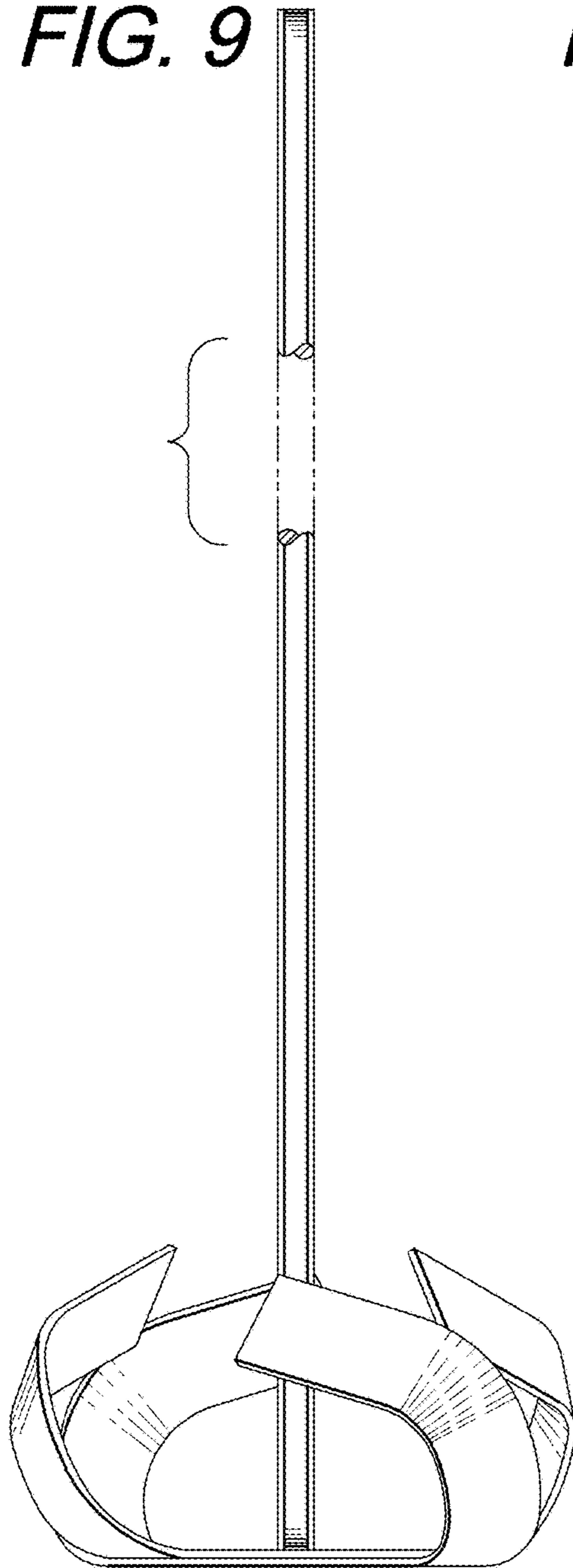
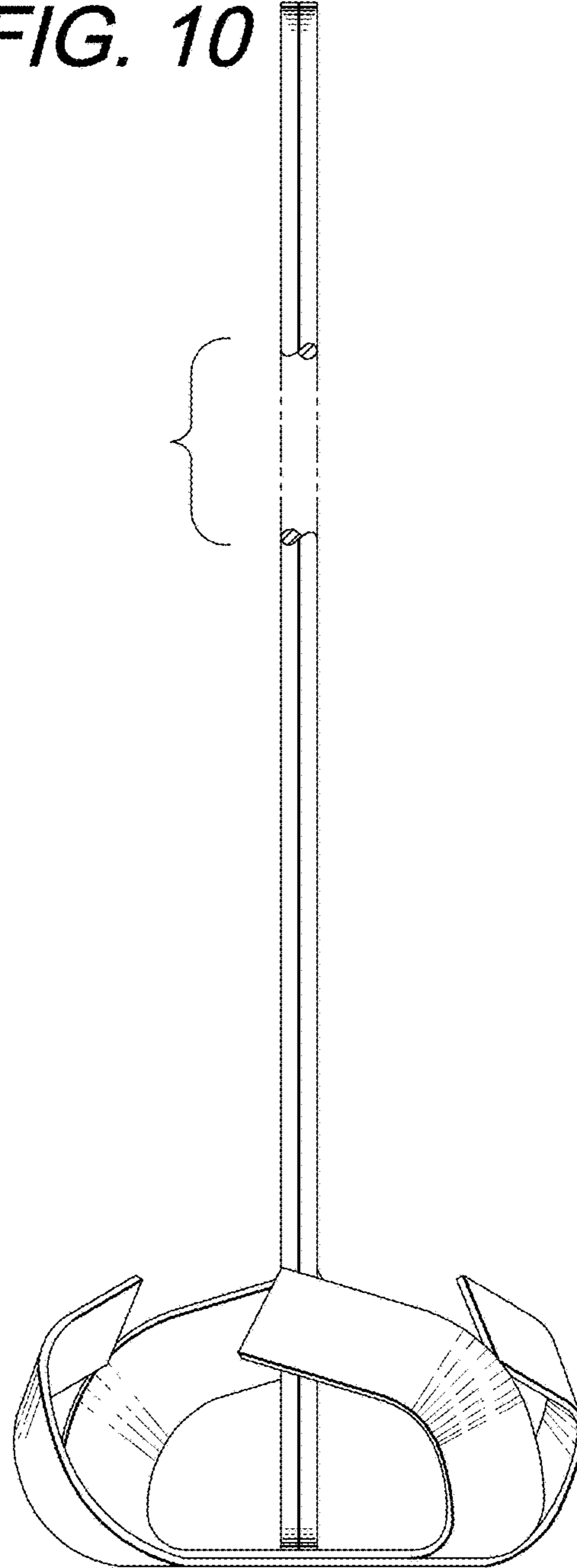


FIG. 10



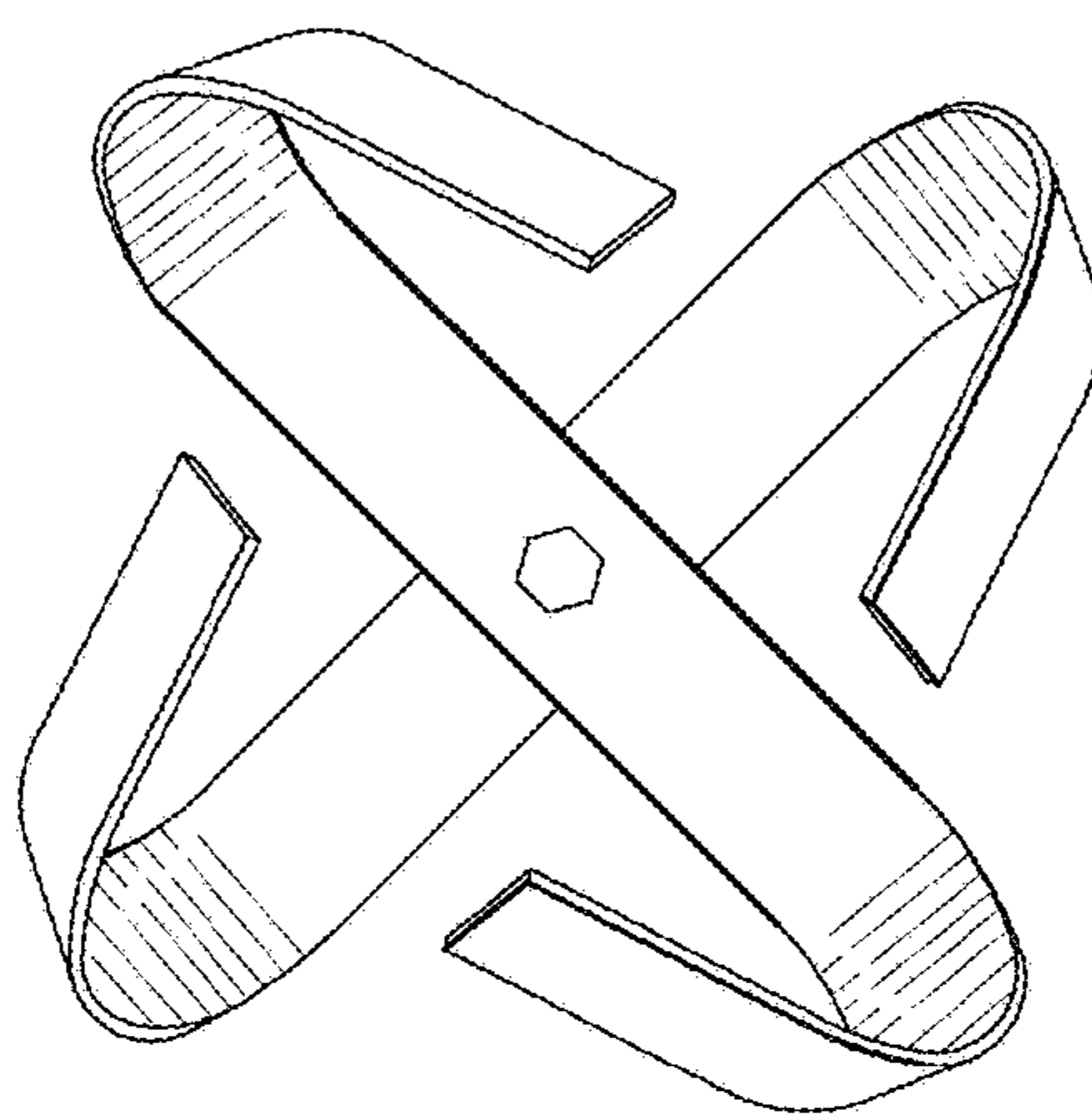


FIG. 11

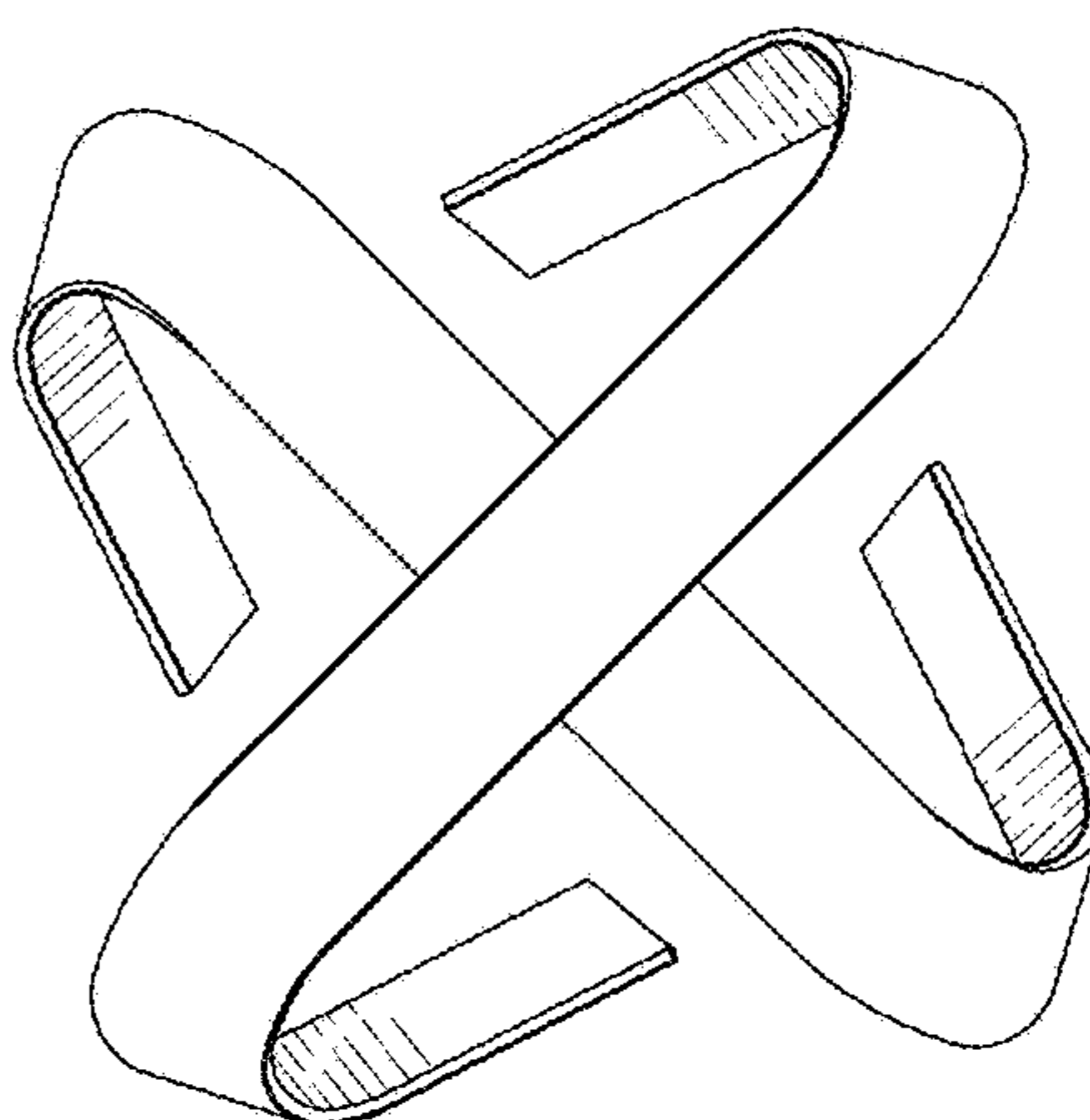


FIG. 12

FIG. 13

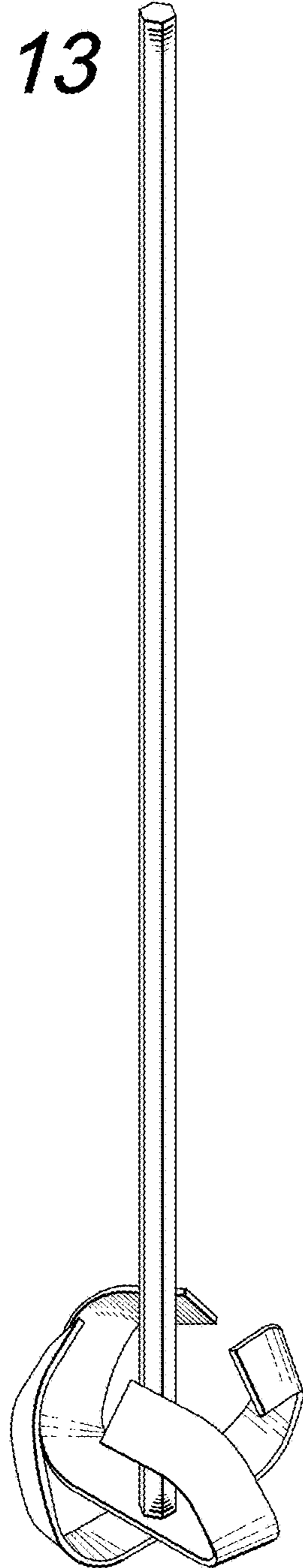


FIG. 14

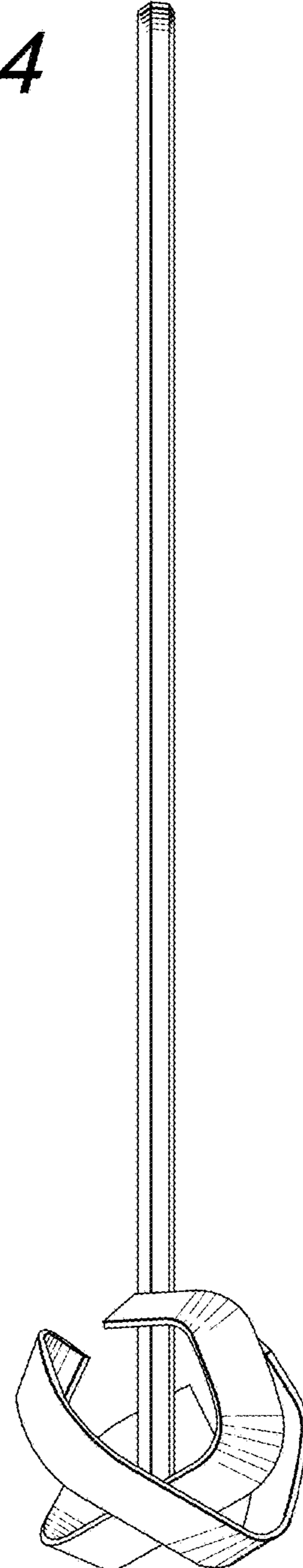


FIG. 15

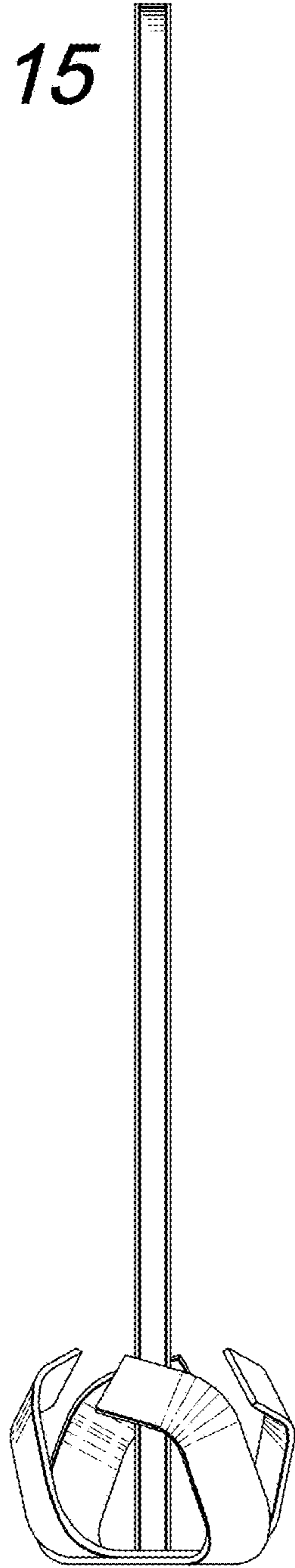
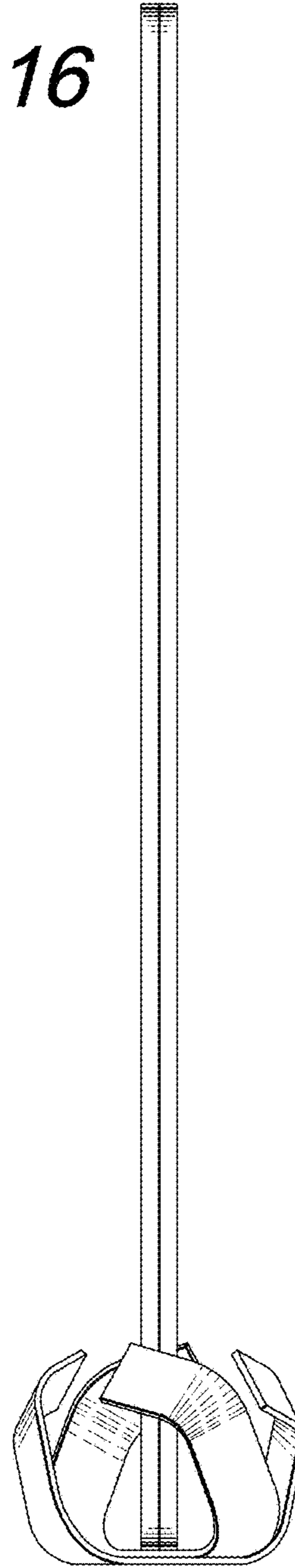


FIG. 16



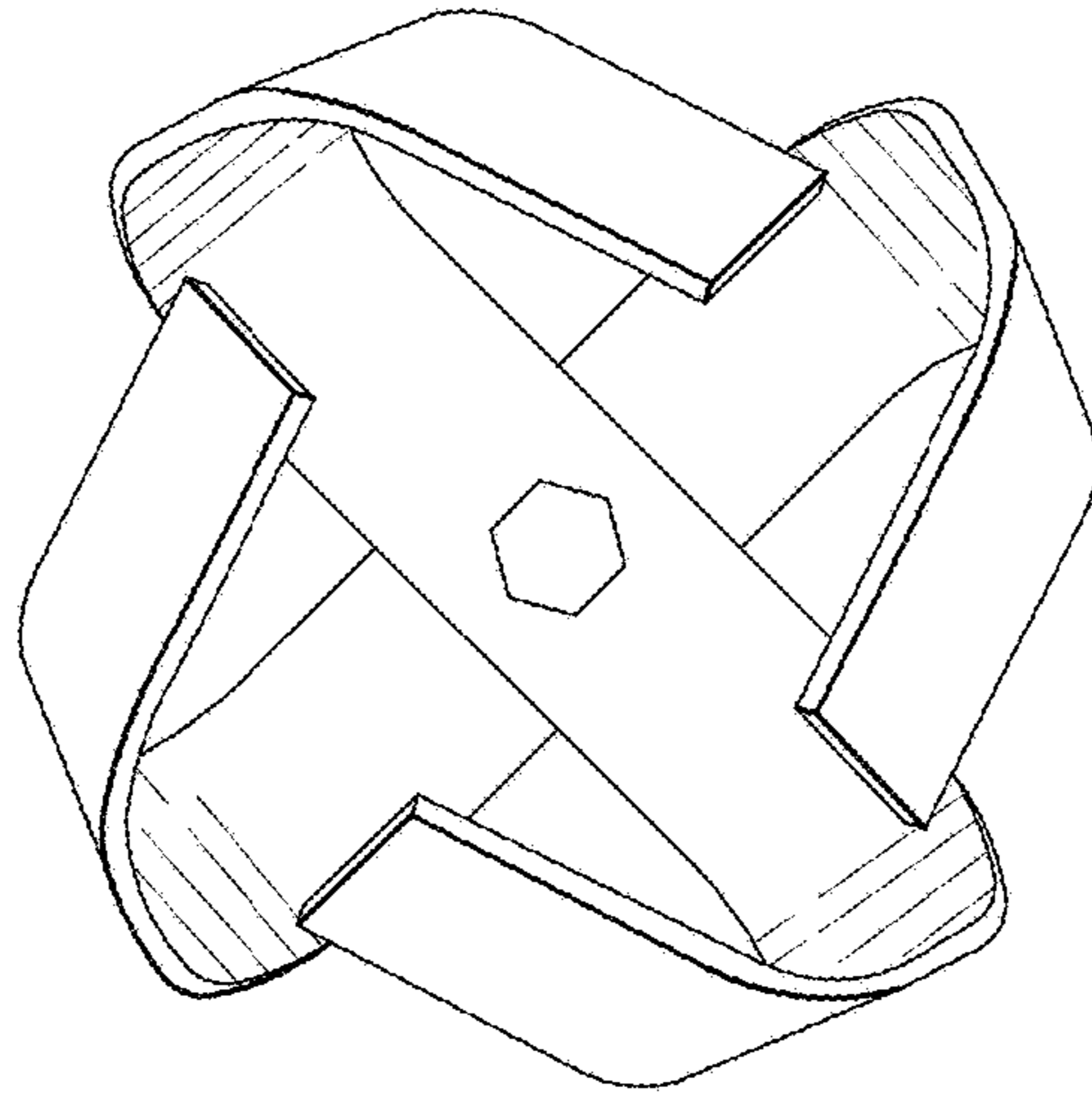


FIG. 17

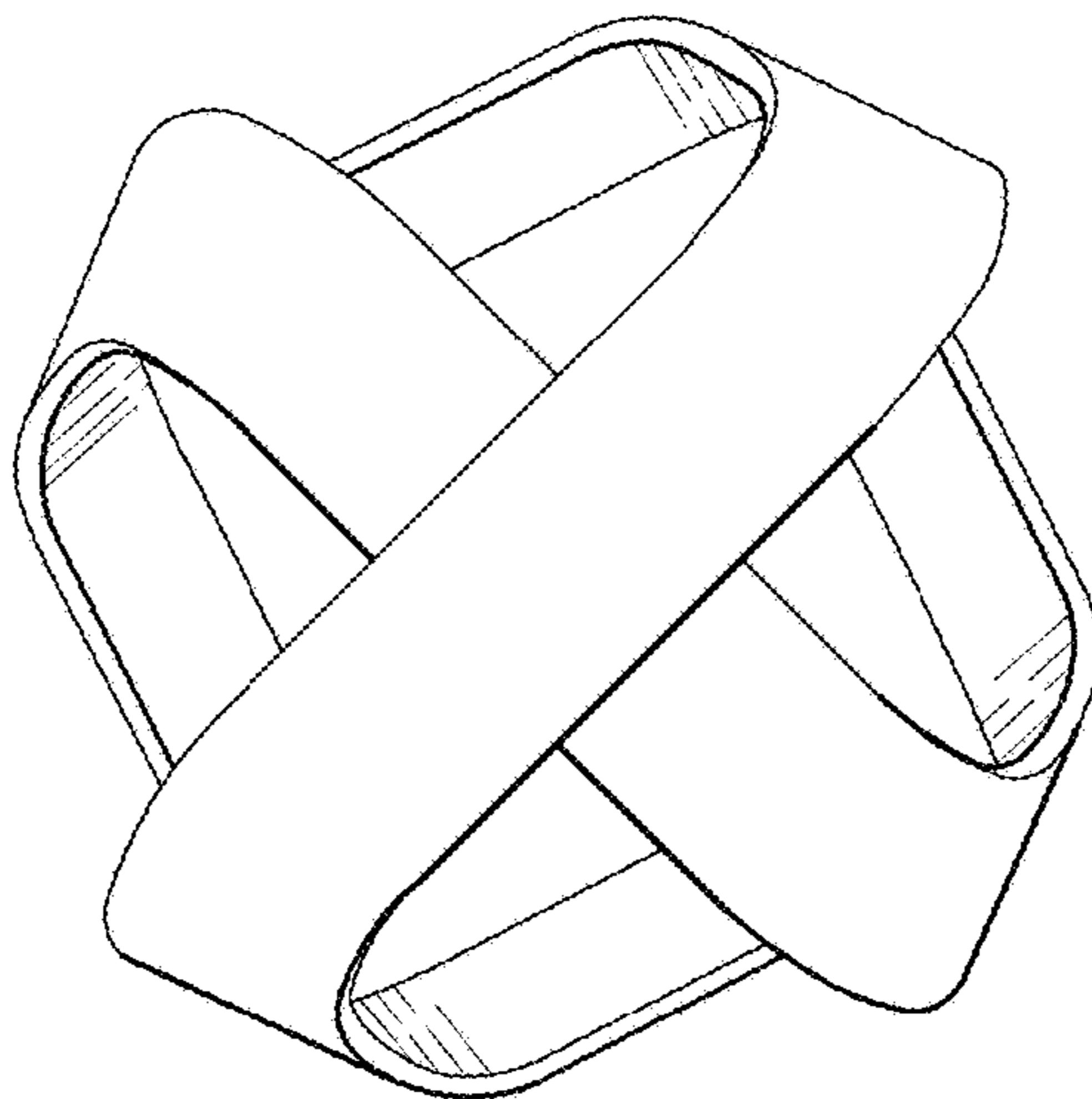


FIG. 18