



US00D865820S

(12) **United States Design Patent**
Ryan et al.

(10) **Patent No.:** **US D865,820 S**
(45) **Date of Patent:** **** Nov. 5, 2019**

(54) **COVER**

(71) Applicant: **THE RAYMOND CORPORATION**,
Greene, NY (US)
(72) Inventors: **Howard Scott Ryan**, Skaneateles, NY
(US); **Gregory W. Smiley**, Greene, NY
(US); **Frank Witkowski**, Syracuse, NY
(US)
(73) Assignee: **The Raymond Corporation**, Greene,
NY (US)

(**) Term: **15 Years**

(21) Appl. No.: **29/682,065**

(22) Filed: **Mar. 1, 2019**

Related U.S. Application Data

(62) Division of application No. 29/560,205, filed on Apr.
4, 2016, now Pat. No. Des. 846,599.

(51) **LOC (12) Cl.** **15-03**

(52) **U.S. Cl.**
USPC **D15/31**

(58) **Field of Classification Search**
USPC D15/10, 22-26, 33, 28, 31; D21/431;
37/403, 409, 442, 443; 180/89.1, 89.12,
180/89.13; 296/190.03; 414/685, 694,
414/722, 724
CPC E02F 9/0841; E02F 3/3411; E02F 3/76;
E02F 3/34; E02F 3/00; E02F 7/00; B62D
21/186; B62D 53/028
See application file for complete search history.

(56) **References Cited**

U.S. PATENT DOCUMENTS

D578,274 S 10/2008 Tokach
D611,505 S 3/2010 Loew

D611,506 S 3/2010 Loew
D624,567 S 9/2010 Kelley
D626,153 S * 10/2010 Gavin D15/31
D629,818 S 12/2010 Rummer
D632,313 S 2/2011 Kelley
D633,927 S * 3/2011 Kelley D15/30
D670,746 S 11/2012 Ewringmann
D676,466 S 2/2013 Ewringmann
D708,233 S 7/2014 Furuki
D715,333 S 10/2014 Jacobsthal
D724,109 S 3/2015 Haro
D751,611 S 3/2016 Smith
D757,826 S 5/2016 Hartz
D762,740 S 8/2016 Okuyama
D766,339 S 9/2016 Hanke

(Continued)

Primary Examiner — Mark A Goodwin

(74) *Attorney, Agent, or Firm* — Quarles & Brady LLP

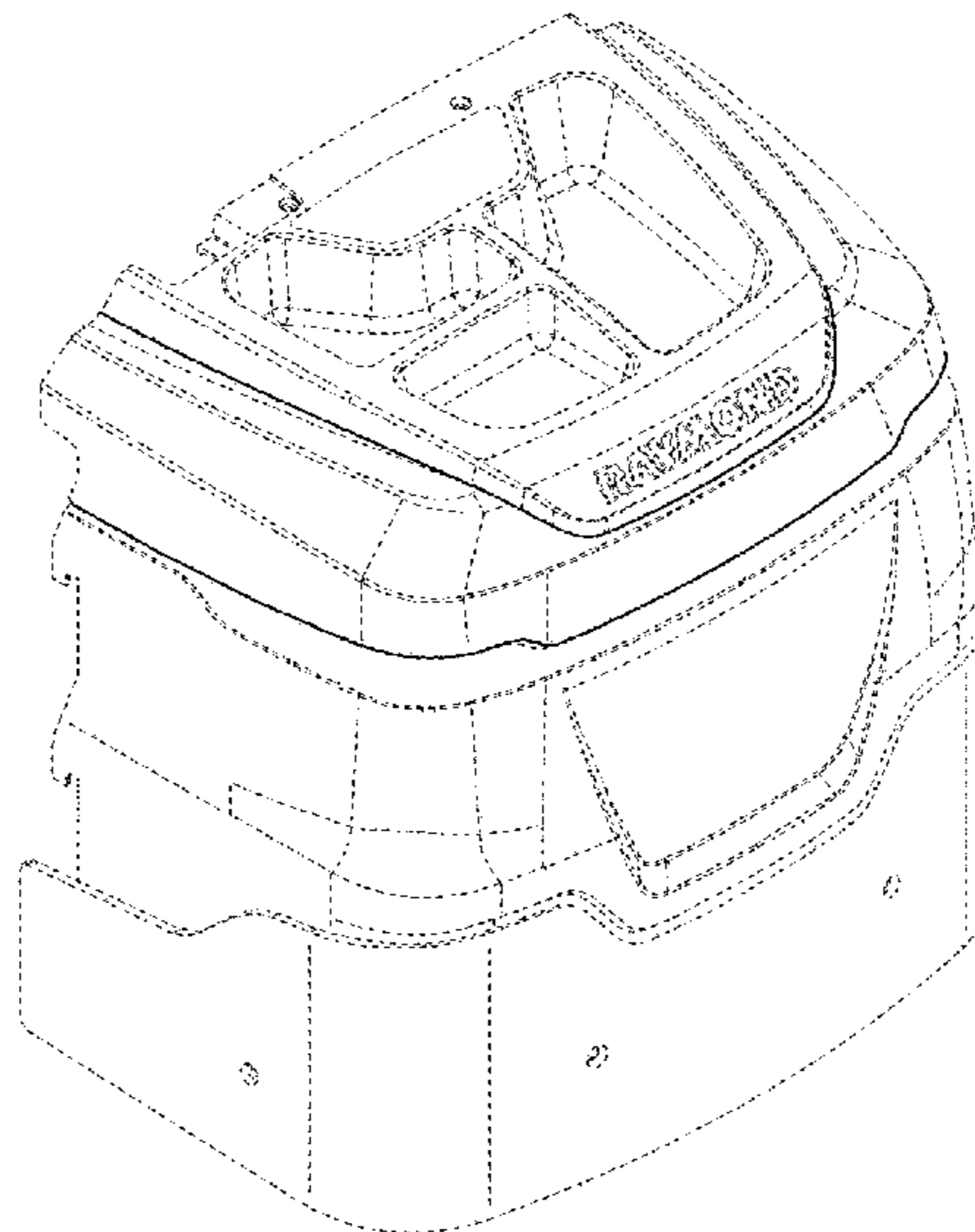
(57) **CLAIM**

The ornamental design for a cover, as shown and described.

DESCRIPTION

FIG. 1 is an isometric view of a top, left, and front side of an ornamental design for a cover;
FIG. 2 is an isometric view of a bottom, right, and rear side of the cover of FIG. 1;
FIG. 3 is a front elevational view of the cover of FIG. 1;
FIG. 4 is a rear elevational view of the cover of FIG. 1;
FIG. 5 is a right side elevational view of the cover of FIG. 1;
FIG. 6 is a left side elevational view of the cover of FIG. 1;
FIG. 7 is a top plan view of the cover of FIG. 1; and,
FIG. 8 is a bottom plan view of the cover of FIG. 1.
The dash-dash-dash broken lines are included for the purpose of illustrating portions of the cover that form no part of the claimed design. The appendix depicts additional embodiments of the claimed ornamental design for a cover.

1 Claim, 8 Drawing Sheets



(56)

References Cited

U.S. PATENT DOCUMENTS

D784,426 S	4/2017	Okuyama	
D786,945 S	5/2017	Smith	
D795,308 S	8/2017	Sauvaget	
D795,309 S	8/2017	Sauvaget	
D806,762 S *	1/2018	Loew	D15/31
D807,406 S *	1/2018	Loew	D15/31
D846,599 S *	4/2019	Ryan	D15/31
D849,802 S *	5/2019	Loew	D15/31
2012/0325570 A1 *	12/2012	Rogers	B62D 25/10 180/89.17
2013/0074410 A1 *	3/2013	Berkeland	B62D 25/12 49/142

* cited by examiner

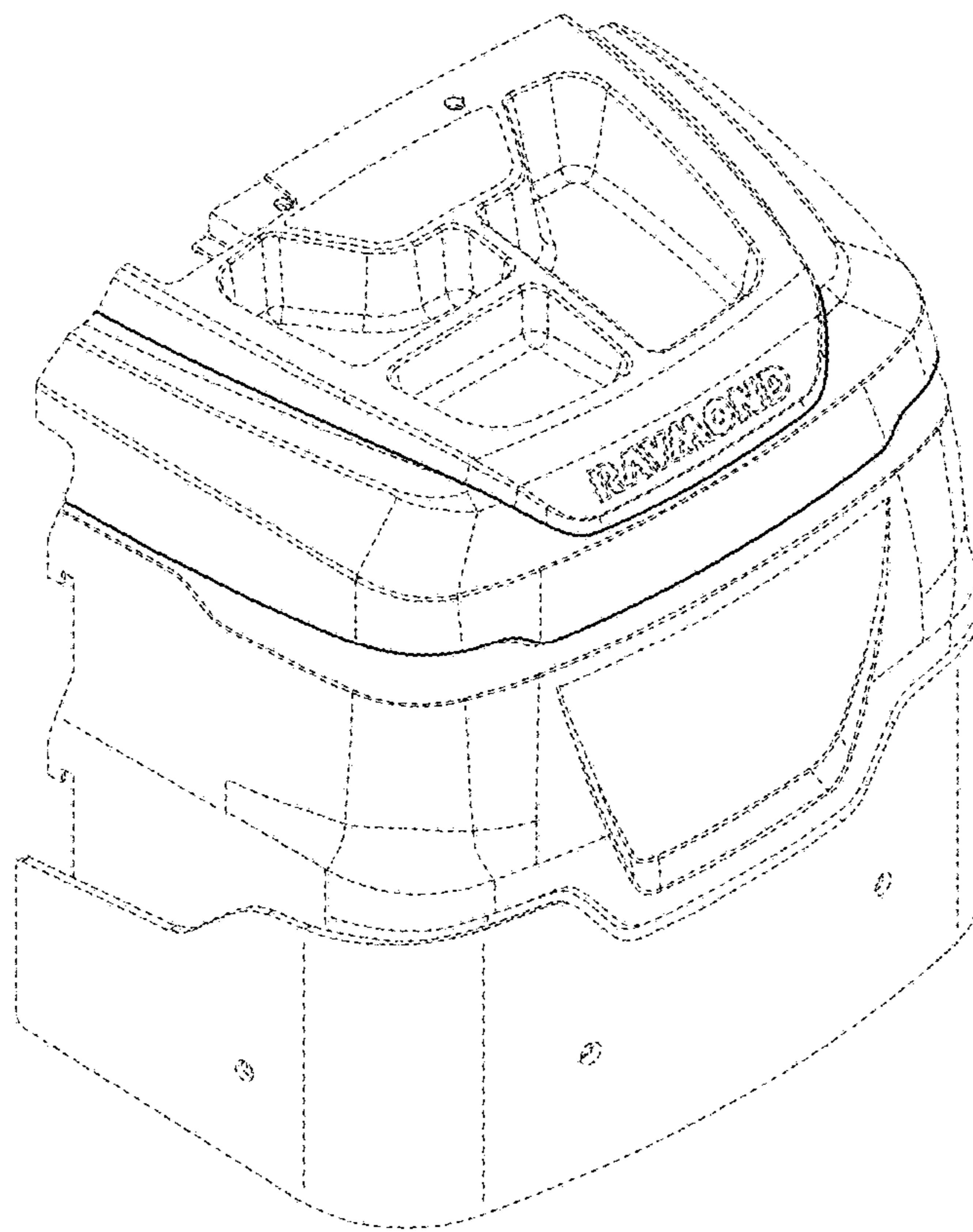


FIG. 1

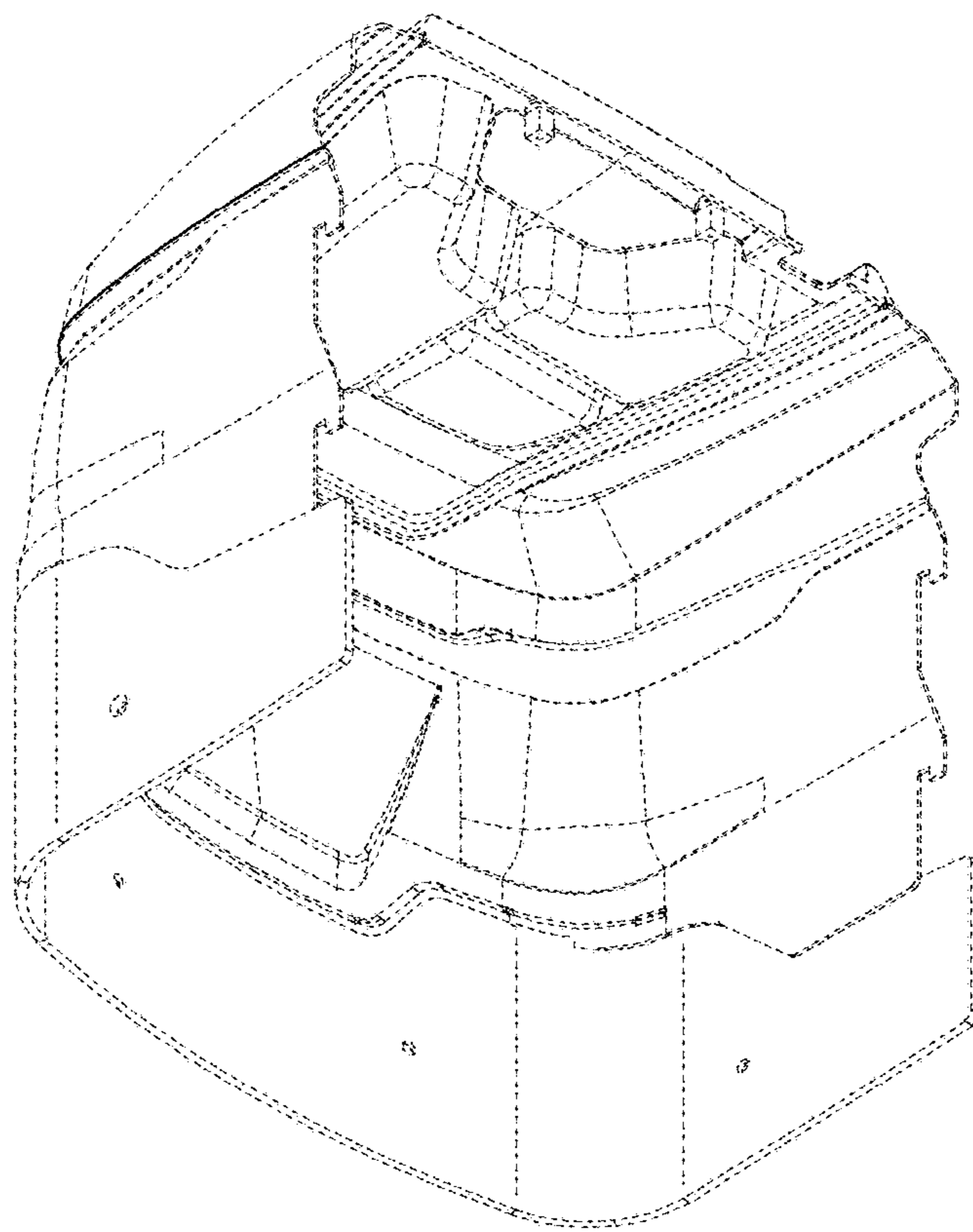


FIG. 2

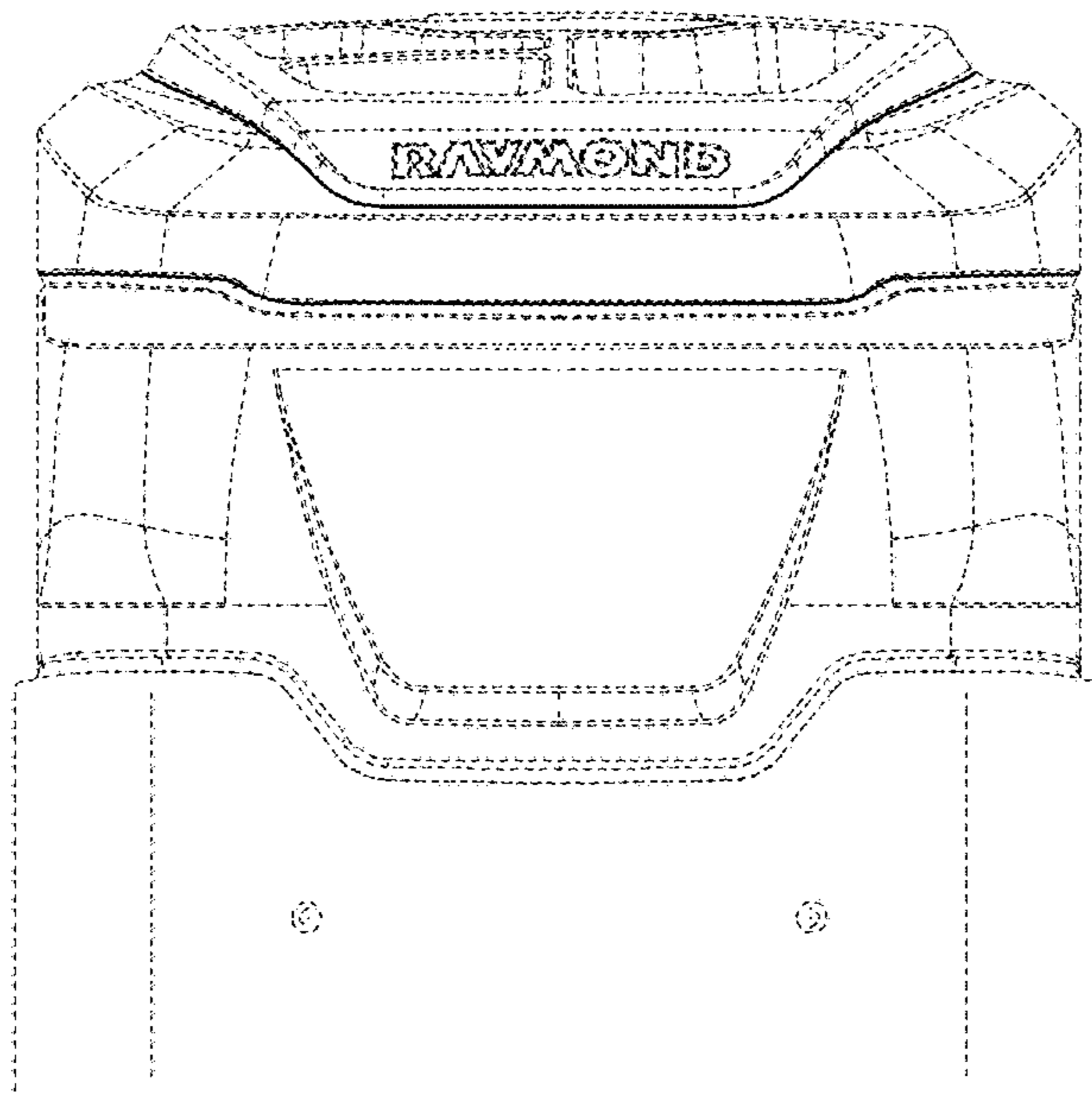


FIG. 3

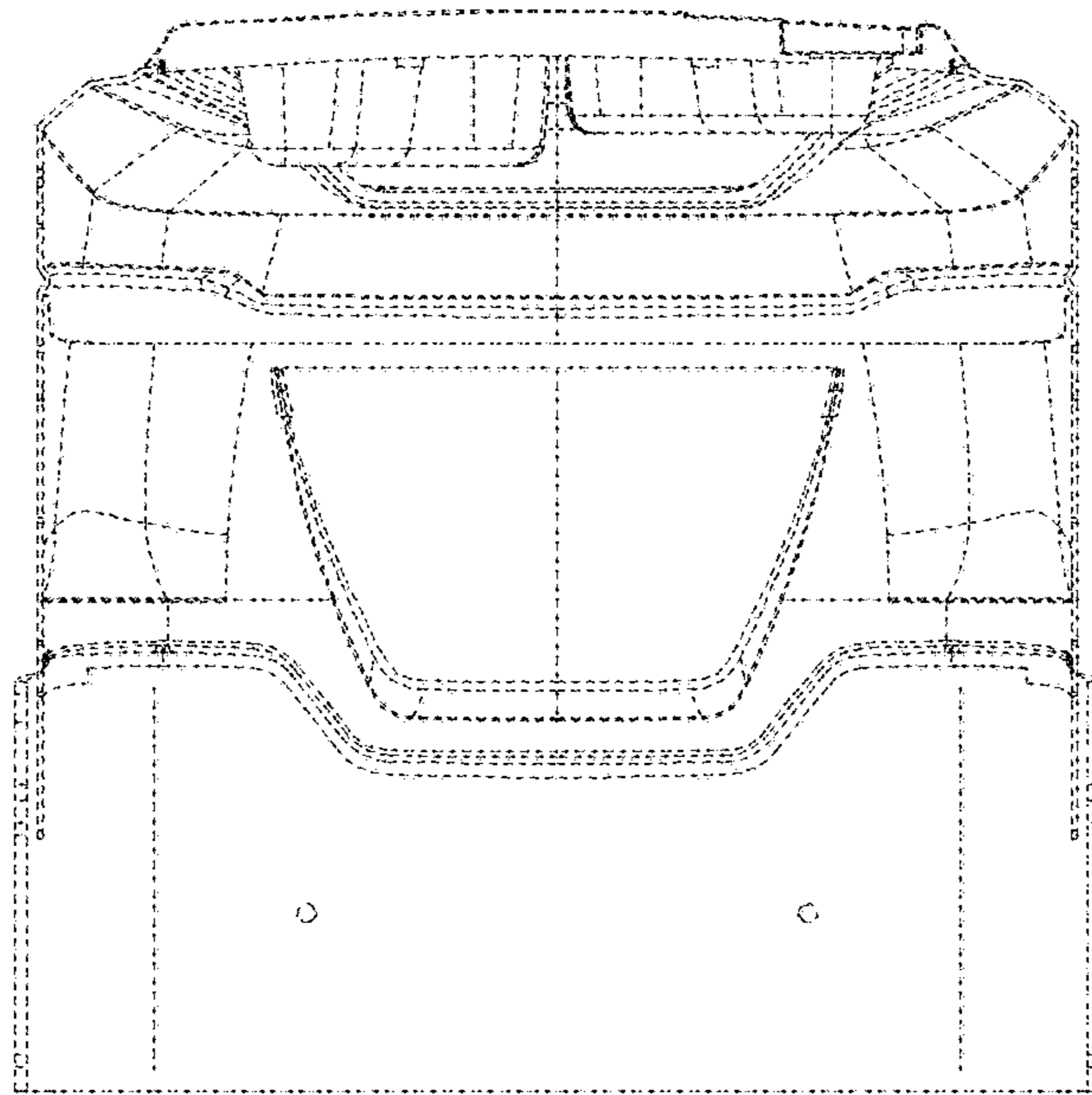


FIG. 4

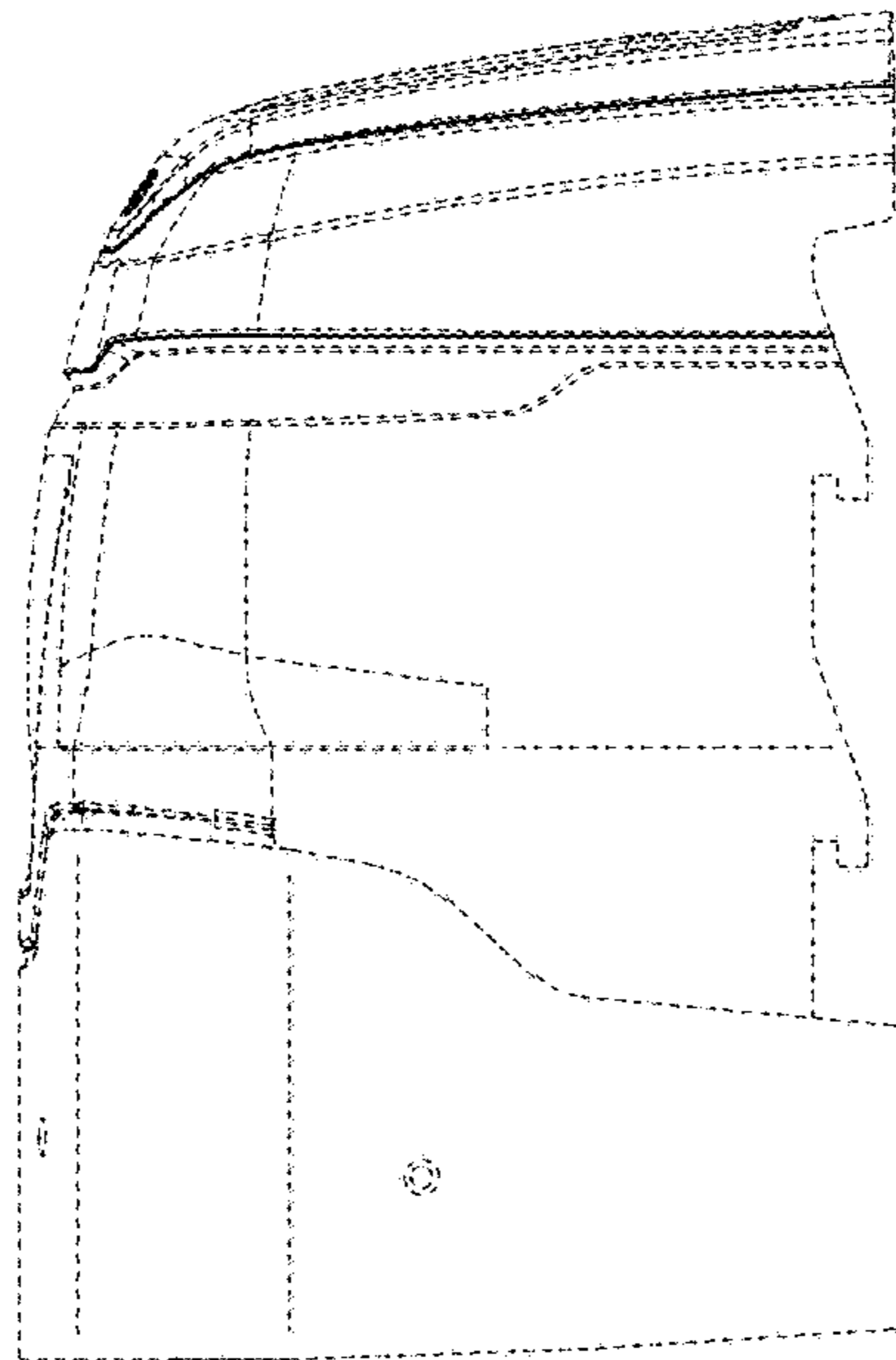


FIG. 5

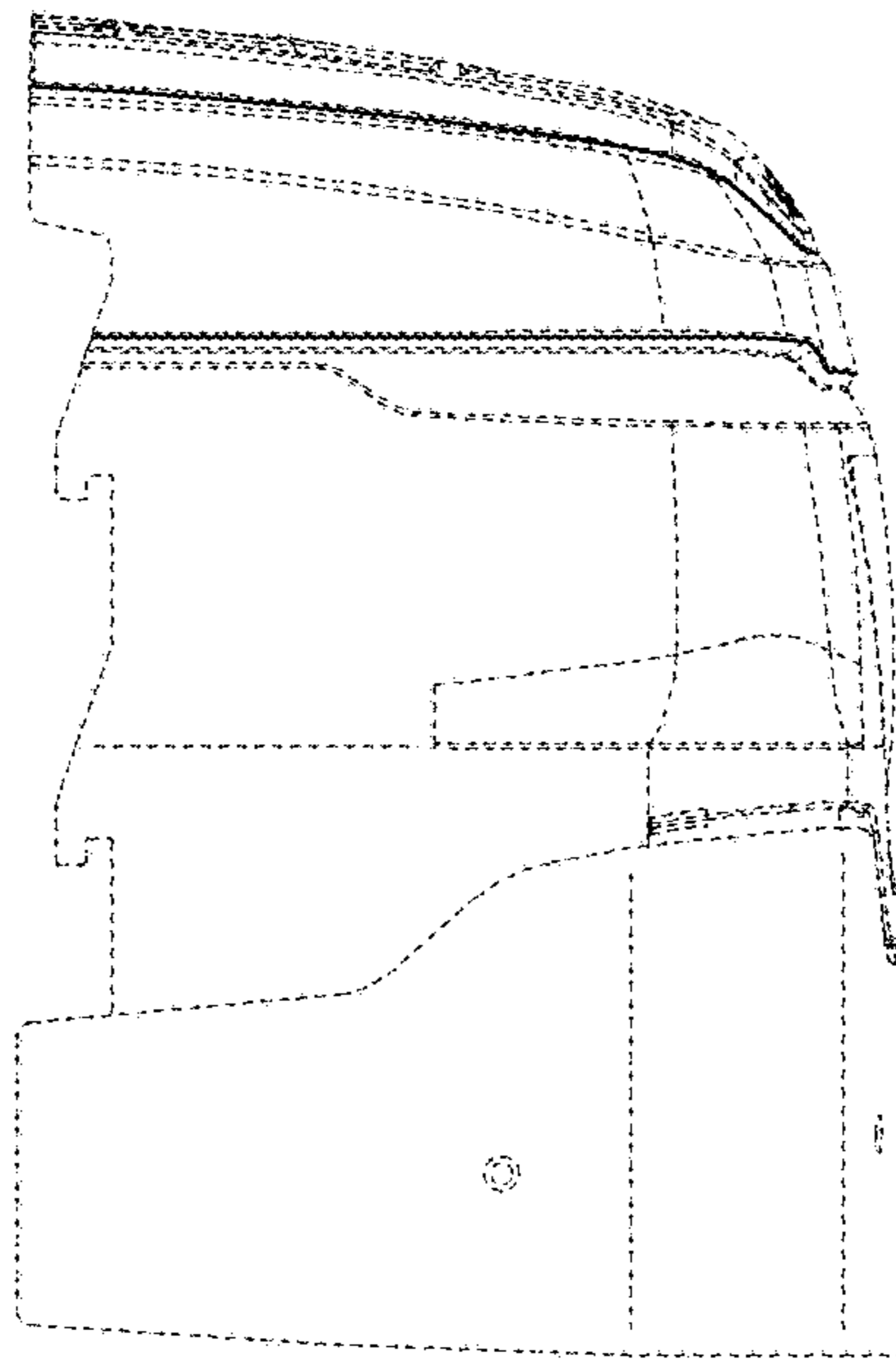


FIG. 6

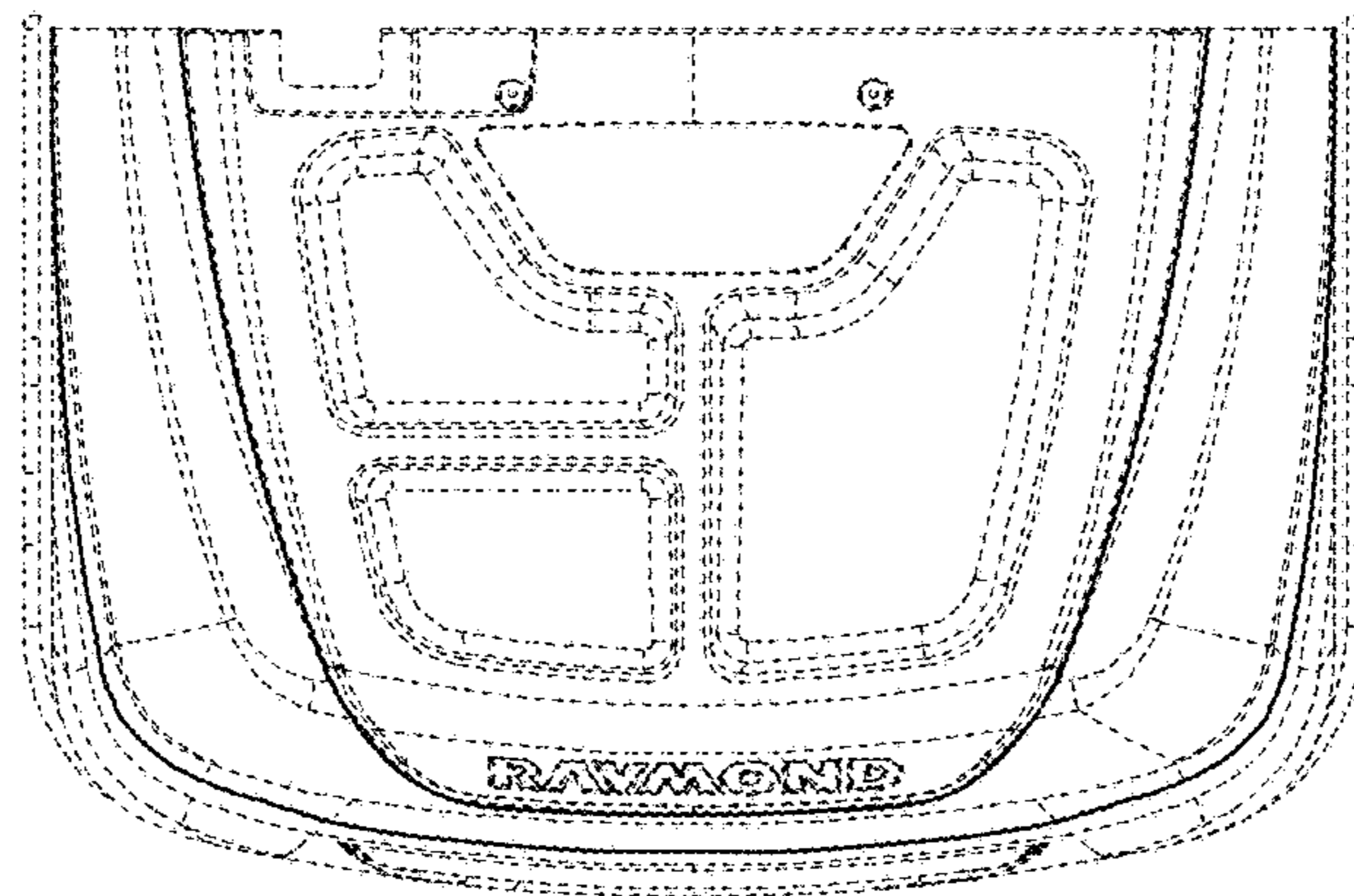


FIG. 7

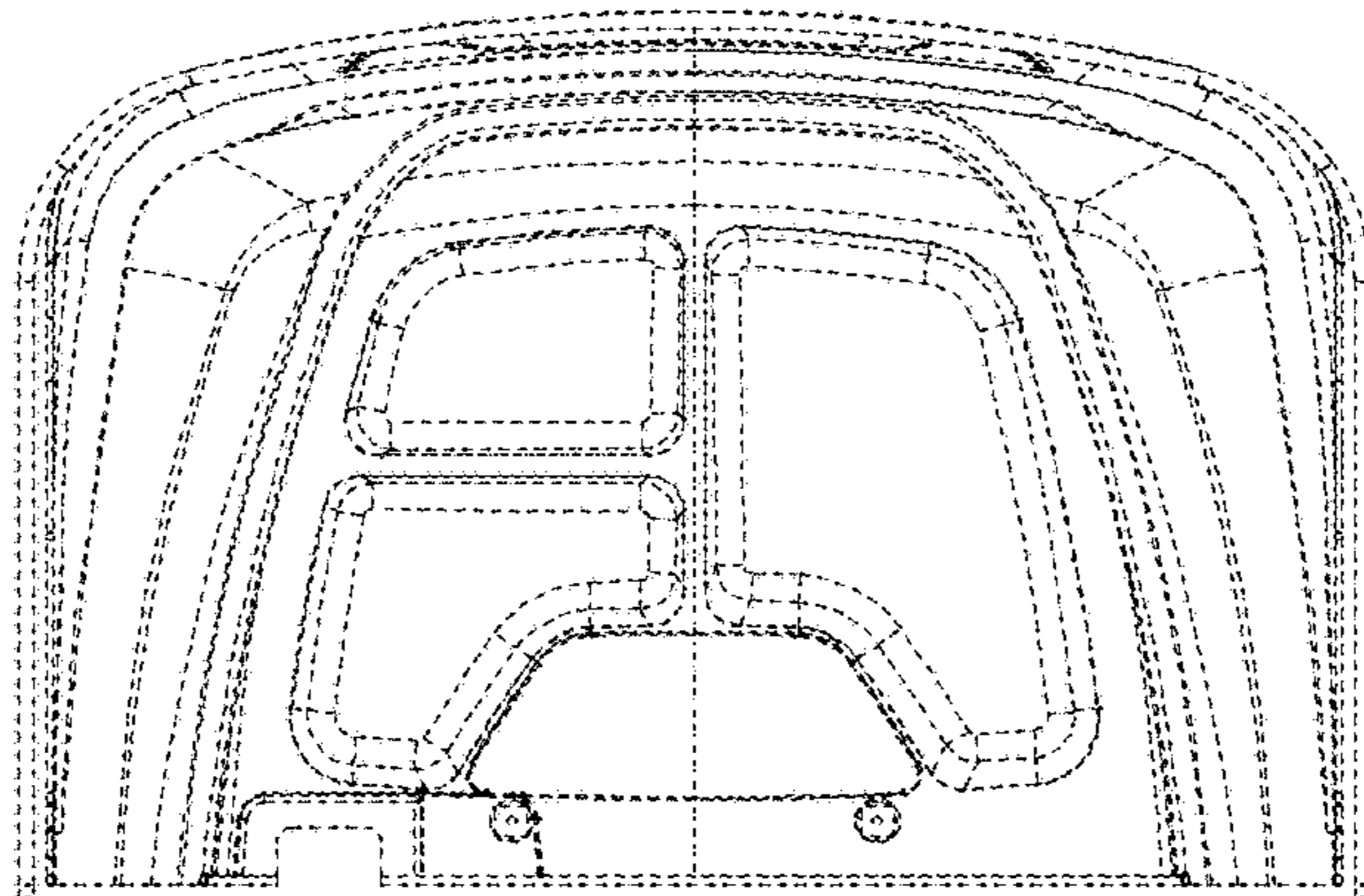


FIG. 8

UNITED STATES PATENT AND TRADEMARK OFFICE
CERTIFICATE OF CORRECTION

PATENT NO. : D865,820 S
APPLICATION NO. : 29/682065
DATED : November 5, 2019
INVENTOR(S) : Howard Scott Ryan et al.

Page 1 of 1

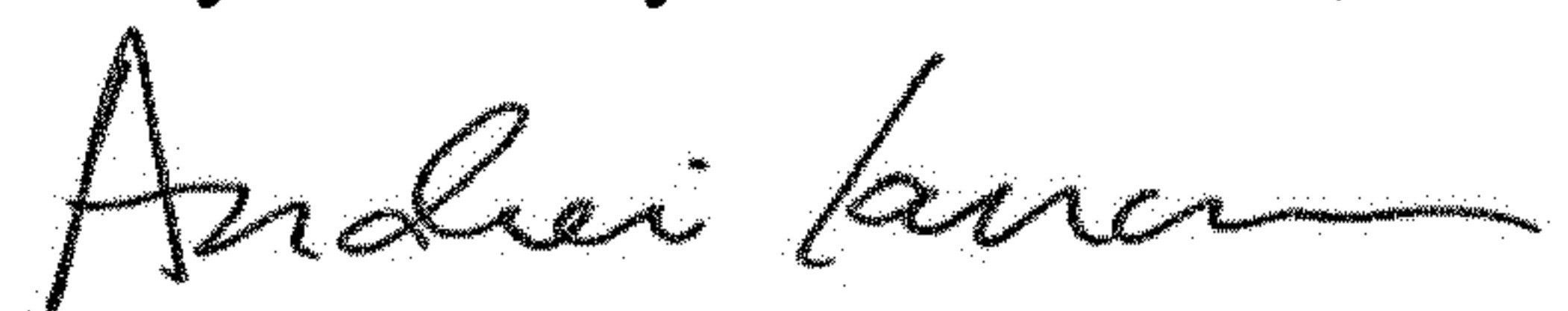
It is certified that error appears in the above-identified patent and that said Letters Patent is hereby corrected as shown below:

On the Title Page

In The Description:

The sentence "The appendix depicts additional embodiments of the claimed ornamental design for a cover." should be deleted.

Signed and Sealed this
Thirty-first Day of December, 2019



Andrei Iancu
Director of the United States Patent and Trademark Office