



US00D865819S

(12) **United States Design Patent** (10) **Patent No.:** **US D865,819 S**
Bungart et al. (45) **Date of Patent:** **** Nov. 5, 2019**

(54) **REPLACEABLE TOOTH FOR A FRONT-END,
SOIL-LEVELING ATTACHMENT
REMOVABLY ATTACHED TO A SKID STEER**

(71) Applicants: **Donnie Bungart**, Jefferson City, MO
(US); **Brandon L. Bungart**, Jefferson
City, MO (US)

(72) Inventors: **Donnie Bungart**, Jefferson City, MO
(US); **Brandon L. Bungart**, Jefferson
City, MO (US)

(**) Term: **15 Years**

(21) Appl. No.: **29/669,309**

(22) Filed: **Nov. 7, 2018**

Related U.S. Application Data

(63) Continuation of application No. 14/882,956, filed on
Oct. 14, 2015, now abandoned.

(51) **LOC (12) Cl.** **15-03**

(52) **U.S. Cl.**
USPC **D15/29; D15/28**

(58) **Field of Classification Search**
USPC D15/11, 28, 29; 37/456, 452, 450, 446,
37/454, 449, 453, 455, 903; 403/379.5,
(Continued)

(56) **References Cited**

U.S. PATENT DOCUMENTS

814,446 A 3/1906 Harter 172/197
1,167,969 A 1/1916 Arbogast 172/136
(Continued)

FOREIGN PATENT DOCUMENTS

DE 250363 8/1910 A01B 33/010
EP 1078562 2/2001 A01B 43/00
(Continued)

OTHER PUBLICATIONS

Bradco 78" Land Plane—Medium Duty. Accessed at; <http://www.skidsteersolutions.com/skid-steer-attachments/land-planes/bradco-78-land-plane-medium-duty/>.

(Continued)

Primary Examiner — Mark A Goodwin

(74) *Attorney, Agent, or Firm* — Jonathan A. Bay

(57) **CLAIM**

The ornamental design for a replaceable tooth for a front-end, soil-leveling attachment removably attached to a skid steer, as shown and described.

DESCRIPTION

FIG. 1 is a perspective view of a replaceable tooth for a front-end, soil-leveling attachment removably attached to a skid steer showing our new design;

FIG. 2 is an enlarged scale perspective view of detail II-II in FIG. 1;

FIG. 3 is an enlarged scale perspective view of FIG. 2;

FIG. 4 is a front elevation view of FIG. 3, the rear being a mirror opposite;

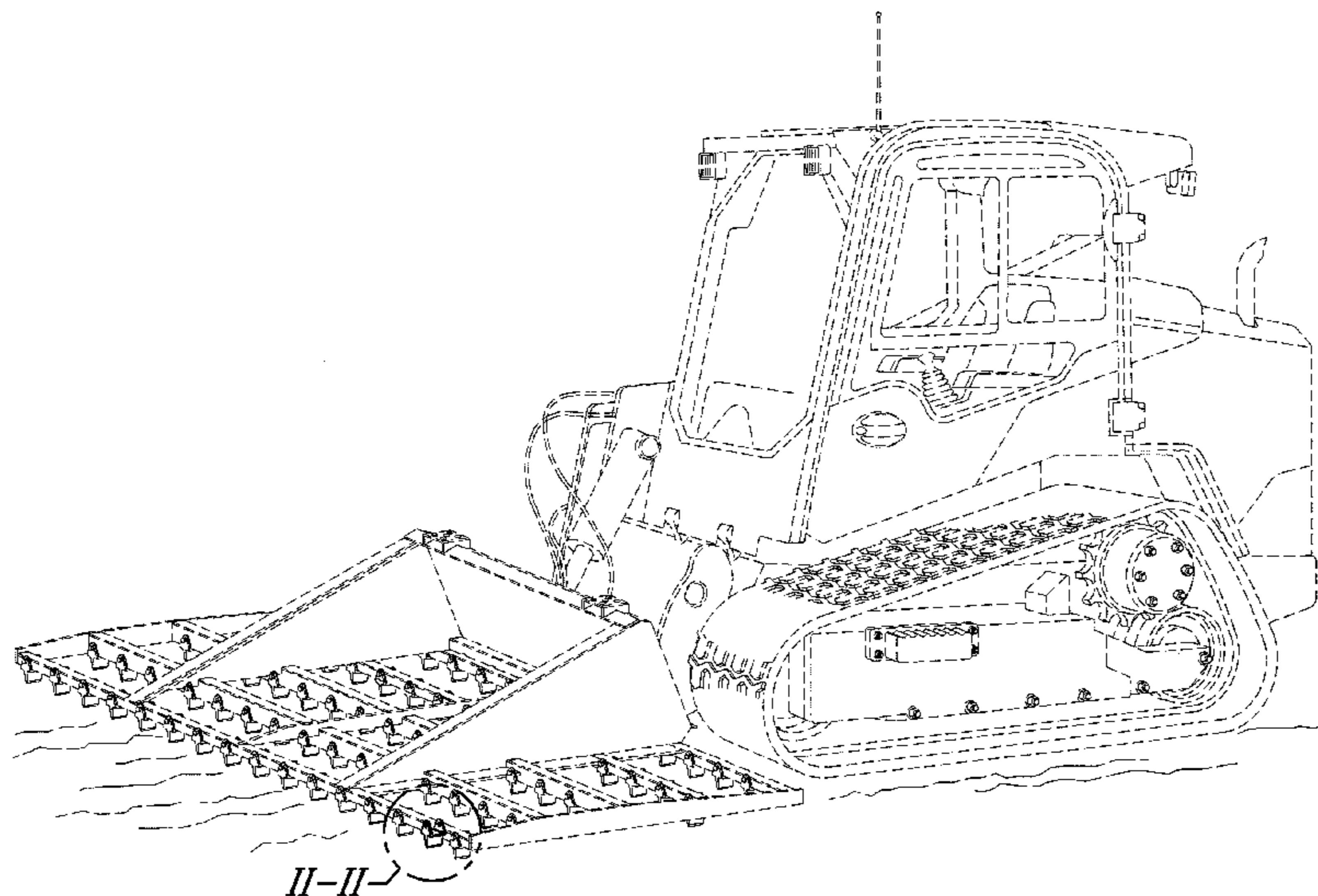
FIG. 5 is a right side elevational view of FIG. 3, the left being a mirror opposite;

FIG. 6 is a top plan view thereof; and,

FIG. 7 is a bottom plan view.

The broken line showing of a skid steer loader, soil leveler, and extra teeth is included for the purpose of illustrating environmental subject matter only and forms no part of the claimed design. The broken line showing in FIGS. 2-5, and 7 of a tip for a replaceable tooth for a front-end soil-leveling attachment removably attached to a skid steer form no part of the claimed design.

1 Claim, 5 Drawing Sheets



(58) **Field of Classification Search**
 USPC 403/DIG. 1; 111/152; 172/724, 730,
 172/766, 770, 771, 721, 713, 699, 772
 CPC Y10T 29/49826; Y10T 403/589; Y10T
 403/7018; Y10T 403/7075; E02F 9/28;
 E02F 9/2825; E02F 9/2833; E02F 9/2866;
 E02F 9/2858; E02F 9/2808; E02F 9/2841
 See application file for complete search history.

(56) **References Cited**

U.S. PATENT DOCUMENTS

1,428,880	A	9/1922	De Mott	172/684.5
2,327,198	A	8/1943	Lingle	172/688
2,652,673	A	9/1953	Zehren	171/63
2,731,896	A	1/1956	Wurster	172/448
2,737,004	A	3/1956	Archer	172/691
2,737,732	A	3/1956	Billings	37/101
2,997,115	A	8/1961	Moser	172/136
3,287,505	A	11/1966	Fukamachi	172/707
T860,022	I4	3/1969	Richey	172/197
3,814,190	A	6/1974	Wilson	172/26.5
4,196,778	A	4/1980	Smith	172/248
4,224,995	A	9/1980	Alberger	171/105
4,231,173	A *	11/1980	Davis	E02F 9/2825 172/762
4,418,759	A	12/1983	Mork	172/197
4,878,713	A	11/1989	Zanetis	299/39.5
4,893,456	A	1/1990	Wallace	56/15.5
4,896,489	A	1/1990	Wykhuis	172/479
5,005,344	A	4/1991	McCracken	56/14.7
5,024,280	A	6/1991	Mork	172/197
D339,593	S *	9/1993	Johansson	D15/29
5,413,181	A	5/1995	Keigley	172/253
5,425,224	A	6/1995	Downey	56/15.8
5,515,625	A	5/1996	Keigley	172/253
5,620,267	A	4/1997	Mahaney	414/686
5,666,794	A	9/1997	Vought	172/112
5,771,672	A	6/1998	Gummerson	56/15.4

5,862,764	A	1/1999	Umemoto	111/127
5,873,417	A	2/1999	Halischuk	172/199
5,966,912	A	10/1999	Swisher	56/1
6,223,510	B1	5/2001	Gillins	56/15.1
6,223,828	B1	5/2001	Paulson et al.	171/63
6,497,294	B2	12/2002	Vought	172/122
6,687,939	B1	2/2004	Koester	15/83
D541,311	S *	4/2007	Oh	D15/29
7,226,268	B2	6/2007	Gustafson	37/406
D567,827	S *	4/2008	Clendenning	D15/29
D567,832	S	4/2008	Edwards	D15/139
8,083,005	B1	12/2011	Nicolai	172/393
8,393,406	B2	3/2013	Seal	172/393
8,752,855	B2	6/2014	Dilworth	280/481
8,857,144	B2	10/2014	Koester	56/255
D728,636	S *	5/2015	Kunz	D15/28
D728,637	S *	5/2015	Kunz	D15/28
D748,685	S *	2/2016	Kunz	D15/28
D749,147	S *	2/2016	Kunz	D15/28
9,554,514	B2	1/2017	Marotte	
9,648,796	B1	5/2017	Tschetter	
2005/0132690	A1	6/2005	Khairallah et al.	56/344
2006/0289180	A1	12/2006	Wentling	172/817
2008/0098704	A1	5/2008	Dairon	56/11.9
2012/0243939	A1 *	9/2012	Oxford	E01C 23/088 404/90
2016/0270285	A1 *	9/2016	Hennes	A01B 61/046

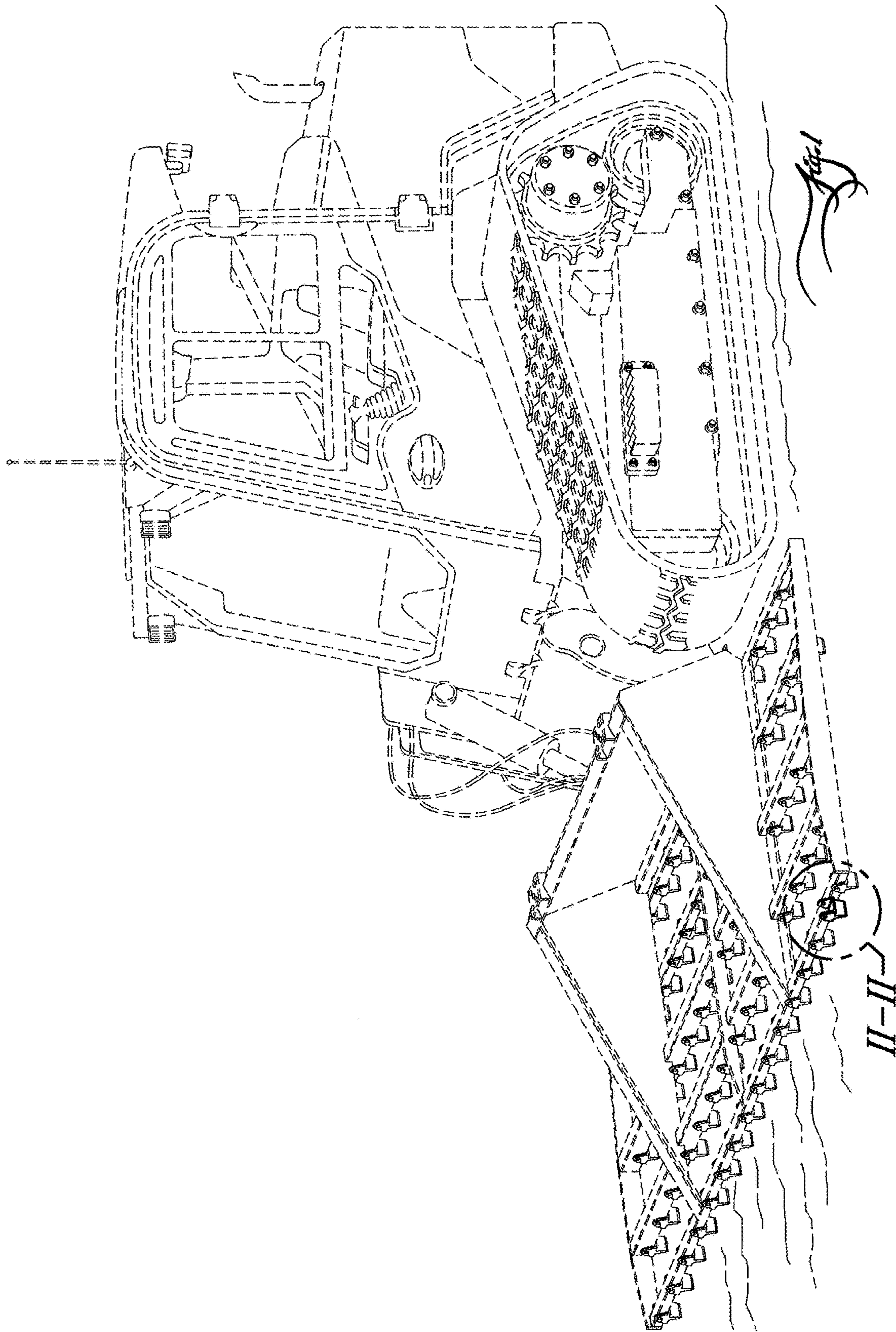
FOREIGN PATENT DOCUMENTS

EP	2647275	10/2013	A01B 59/06
GB	472443	9/1937	A01B 33/022
GB	987221	3/1965	A01B 59/002

OTHER PUBLICATIONS

Bradco Leveler, Mini Accessed at: <http://www.paladinattachments.com/Product-Details/100/Leveler-Mini#.Vh1CrexViko>.

* cited by examiner



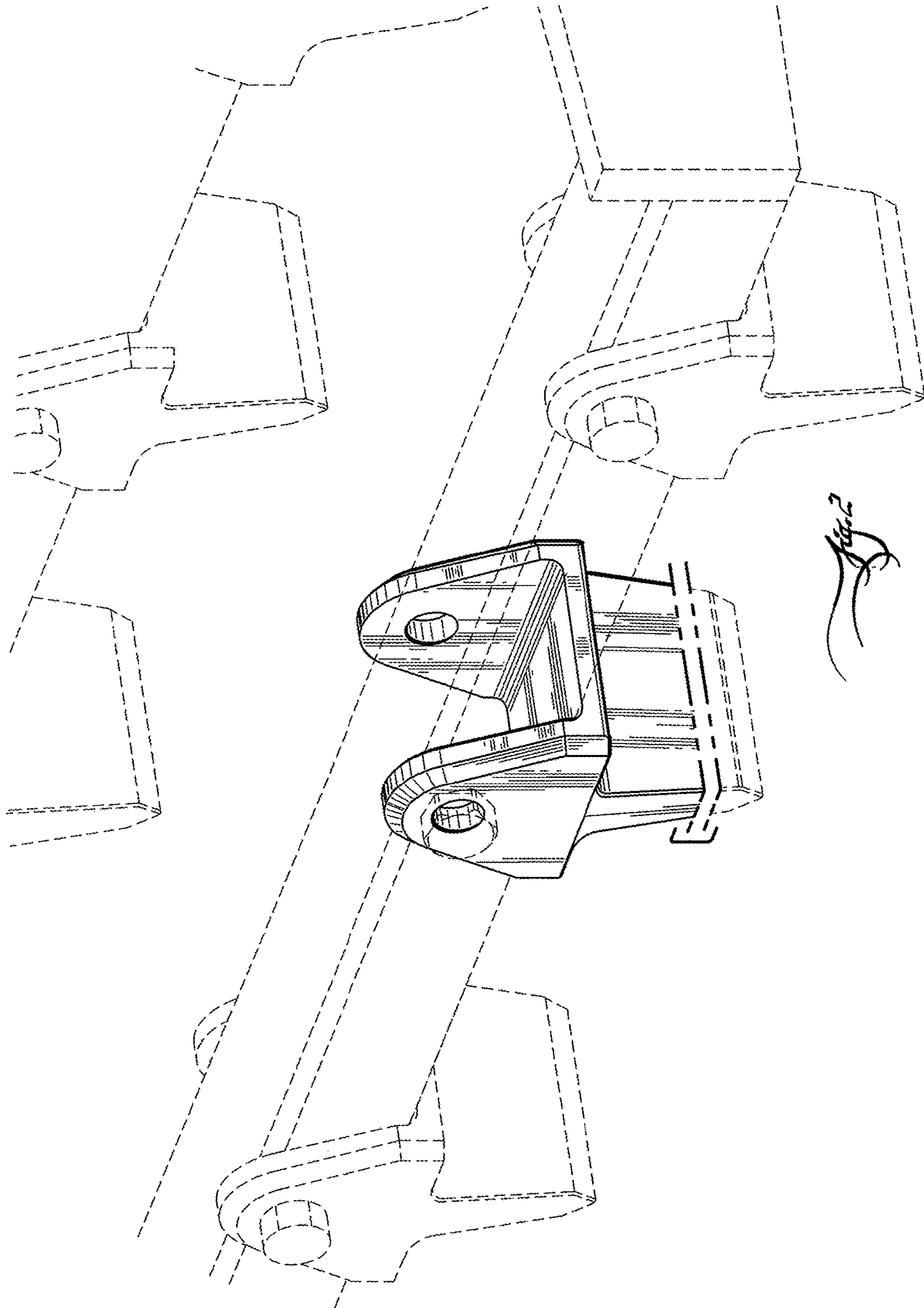
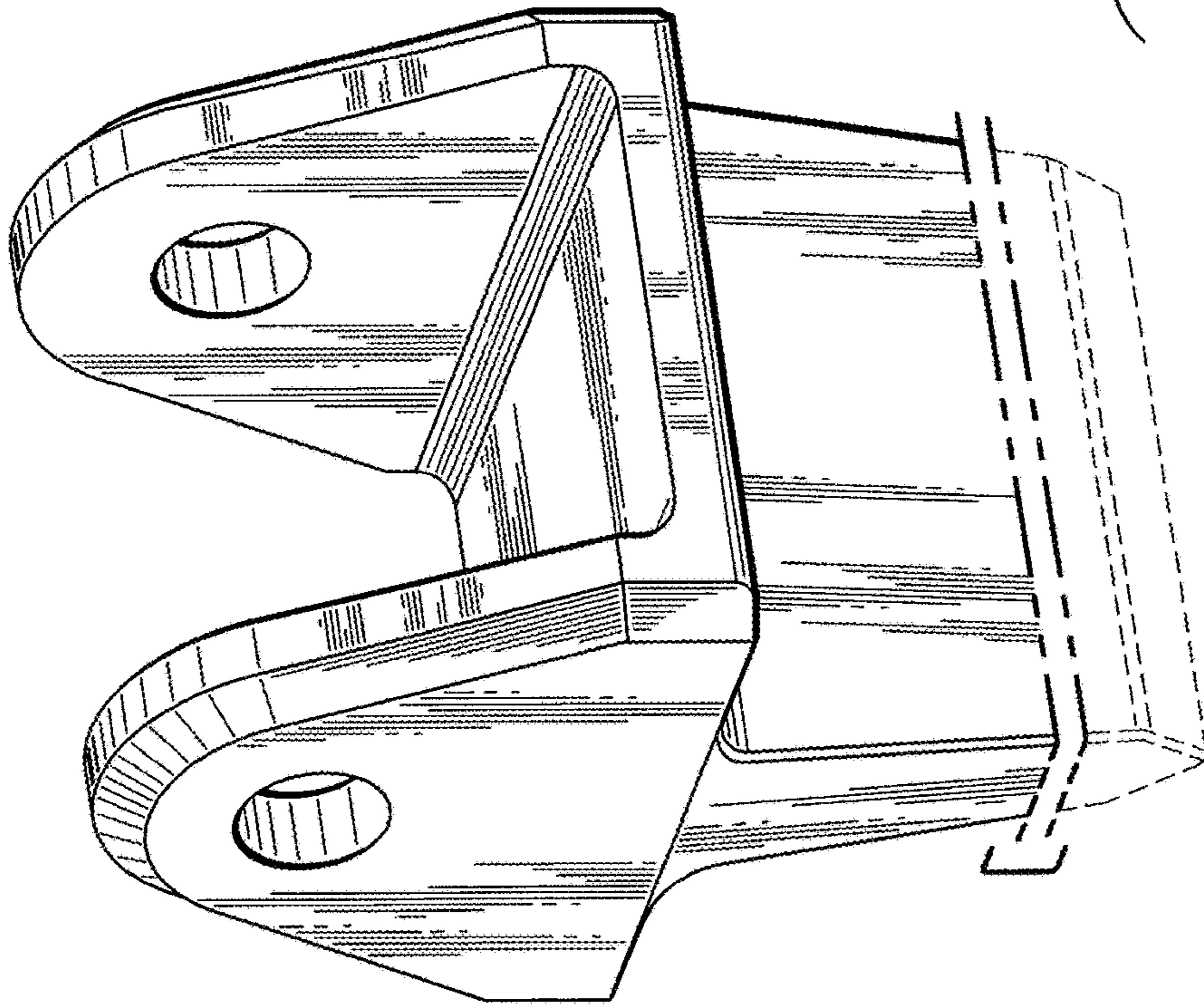


Fig. 2

Fig. 3



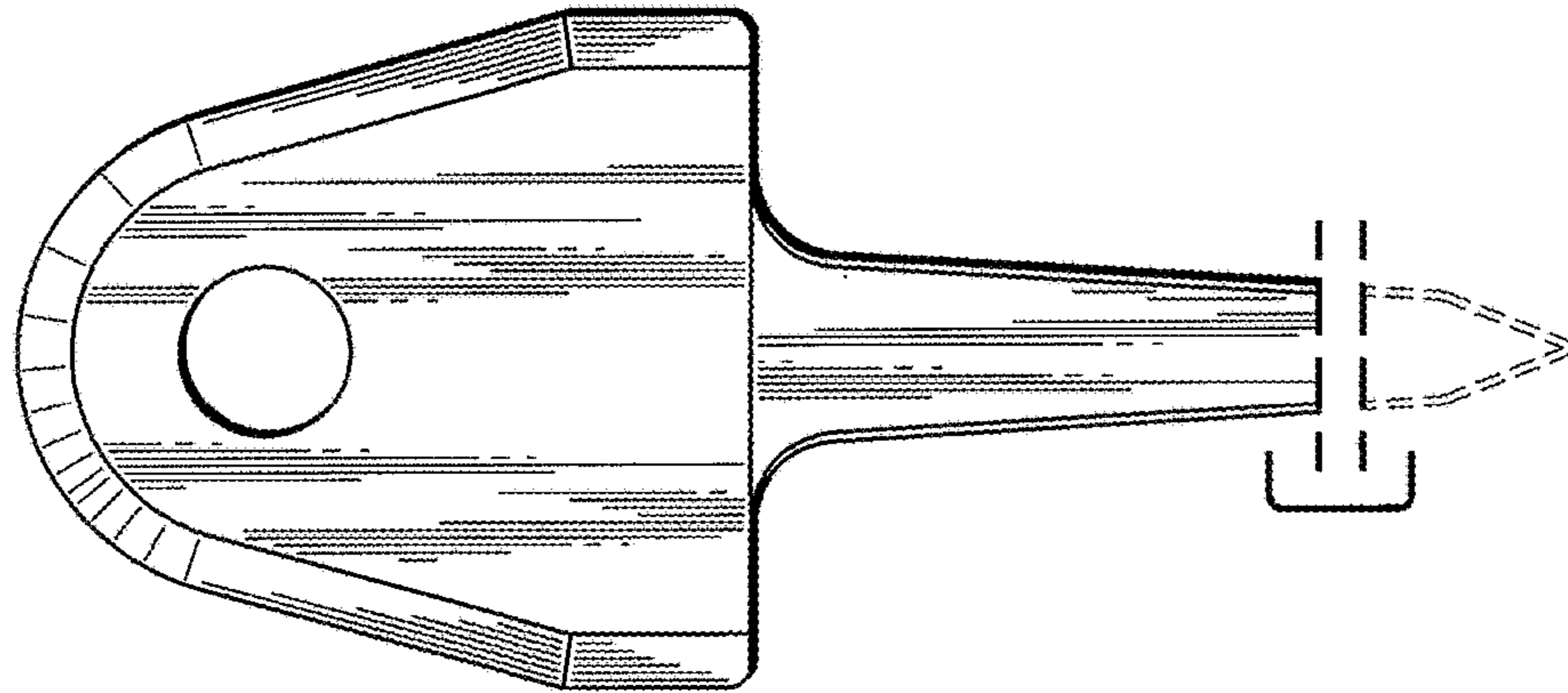


Fig. 5

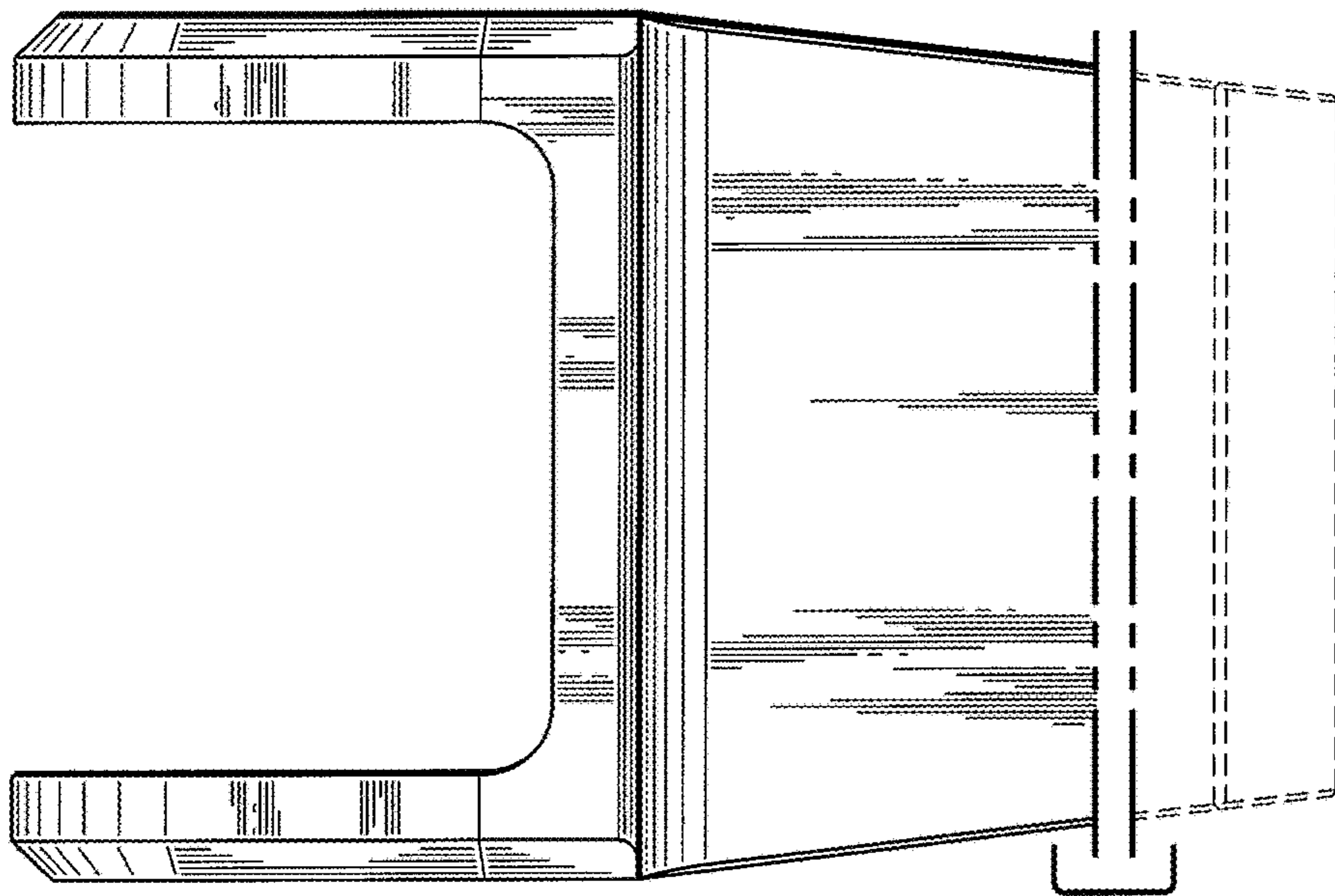


Fig. 4

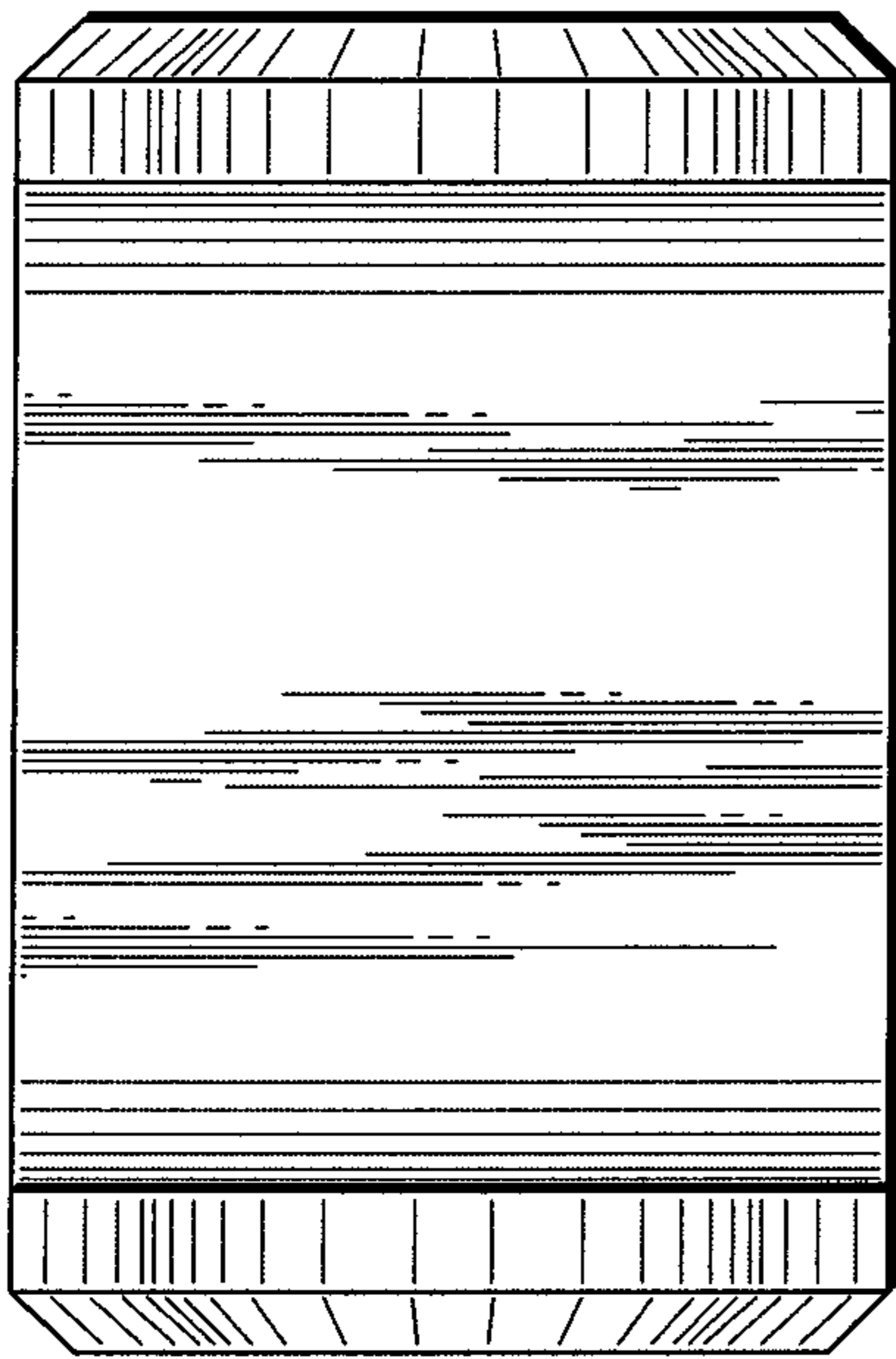


Fig. 6

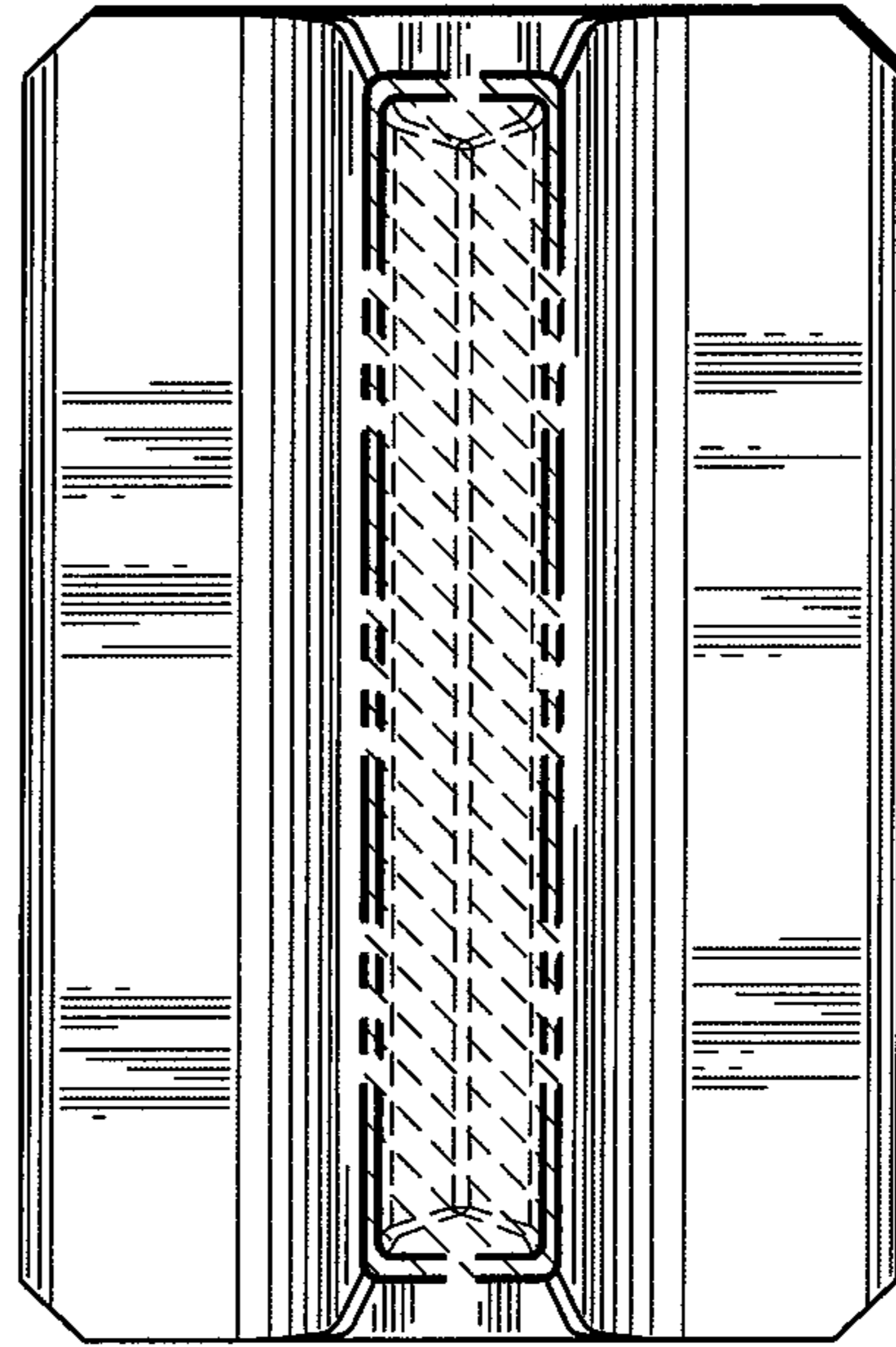


Fig. 7