



US00D865818S

(12) **United States Design Patent**
Rolin Jacquemins

(10) **Patent No.:** **US D865,818 S**

(45) **Date of Patent:** **** Nov. 5, 2019**

(54) **COMPRESSOR PART**

(71) Applicant: **ATELIERS FRANCOIS, SOCIETE ANONYME**, Liège (BE)

(72) Inventor: **Didier Rolin Jacquemins**, Overijssel (BE)

(**) Term: **15 Years**

(21) Appl. No.: **35/504,791**

(22) Filed: **Feb. 26, 2018**

(80) **Hague Agreement Data**

Int. Filing Date: **Feb. 26, 2018**

Int. Reg. No.: **DM/100503**

Int. Reg. Date: **Feb. 26, 2018**

Int. Reg. Pub. Date: **Apr. 20, 2018**

(30) **Foreign Application Priority Data**

Sep. 20, 2017 (EM) 004243228-001

(51) **LOC (12) Cl.** **15-09**

(52) **U.S. Cl.**

USPC **D15/9**

CPC **F02M 37/04** (2013.01)

(58) **Field of Classification Search**

USPC D15/7-9; D23/225, 231, 232; 417/60, 417/235, 265, 321, 355, 358, 363, 359, 417/410.1, 415, 416, 405, 900, 269, 539; 60/408, 412; 184/26-37; 137/140-147, 137/565.34

CPC F02M 37/04; F02M 37/14; F04B 53/92; F04B 1/005; F04D 13/06; F04D 29/22; F04D 29/046; F04D 29/2266

See application file for complete search history.

(56) **References Cited**

U.S. PATENT DOCUMENTS

D245,501 S * 8/1977 Fitch D15/7
4,178,888 A * 12/1979 Jaulmes F01L 3/205
123/73 A

D366,488 S * 1/1996 Alfano D15/9
D394,068 S * 5/1998 Pollrich D15/9
D405,455 S * 2/1999 Leu D15/9
6,371,742 B1 * 4/2002 Gigon F01P 3/22
418/2
6,401,472 B2 * 6/2002 Pollrich F04B 27/0414
417/213
D465,791 S * 11/2002 Moan D15/7
D466,523 S * 12/2002 Saito D15/9
D467,254 S * 12/2002 Ullrich D15/9
D468,752 S * 1/2003 Hopper D15/9
D479,245 S * 9/2003 Leu D15/7
D479,247 S * 9/2003 Ullrich D15/9
D484,147 S * 12/2003 Tai D15/9
D485,281 S * 1/2004 Hsiao D15/9
D487,473 S * 3/2004 Saito D15/9
D498,768 S * 11/2004 Romandy D15/9
D499,117 S * 11/2004 Leasure D15/9
D516,093 S * 2/2006 Hsiao D15/9
D522,534 S * 6/2006 Kawasaki D15/7
D538,826 S * 3/2007 Kienzle D15/9
D604,330 S * 11/2009 Duong D15/7
D668,684 S * 10/2012 Noguchi D15/9

(Continued)

Primary Examiner — Richard E Chilcot

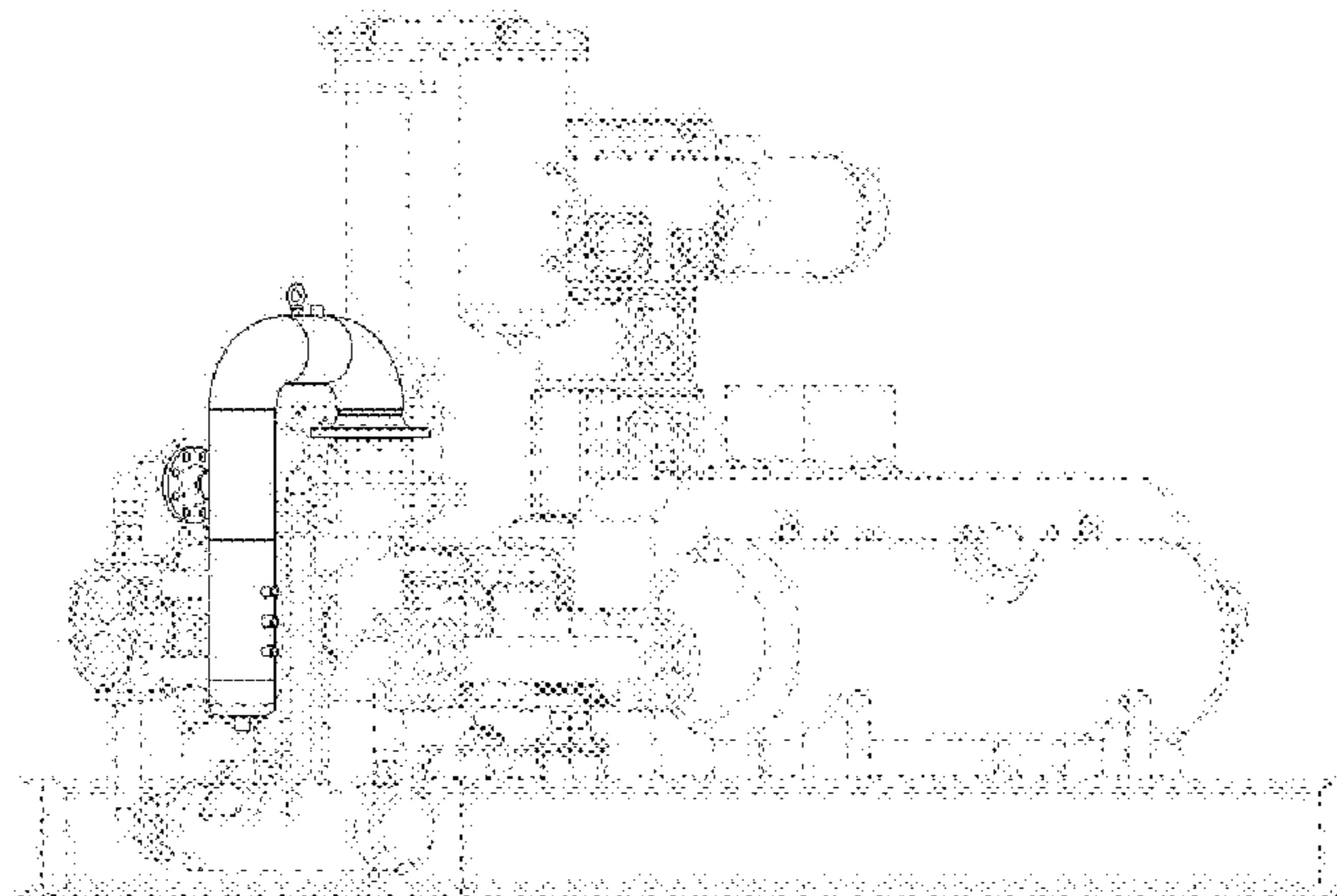
(57) **CLAIM**

The ornamental design for a compressor part, as shown and described.

DESCRIPTION

FIG. 1.1 is a right-side perspective view of a compressor part showing my new design;
FIG. 1.2 is a rear perspective view thereof;
FIG. 1.3 is a left-side perspective view thereof;
FIG. 1.4 is a left-side view thereof;
FIG. 1.5 is a right-side, rear view thereof;
FIG. 1.6 is a right-side, rear perspective view thereof;
FIG. 1.7 is a left-side, rear perspective view thereof.
The broken lines are for the purpose of illustrating portions environmental subject matter that form no part of the claimed design.

1 Claim, 7 Drawing Sheets



(56)

References Cited

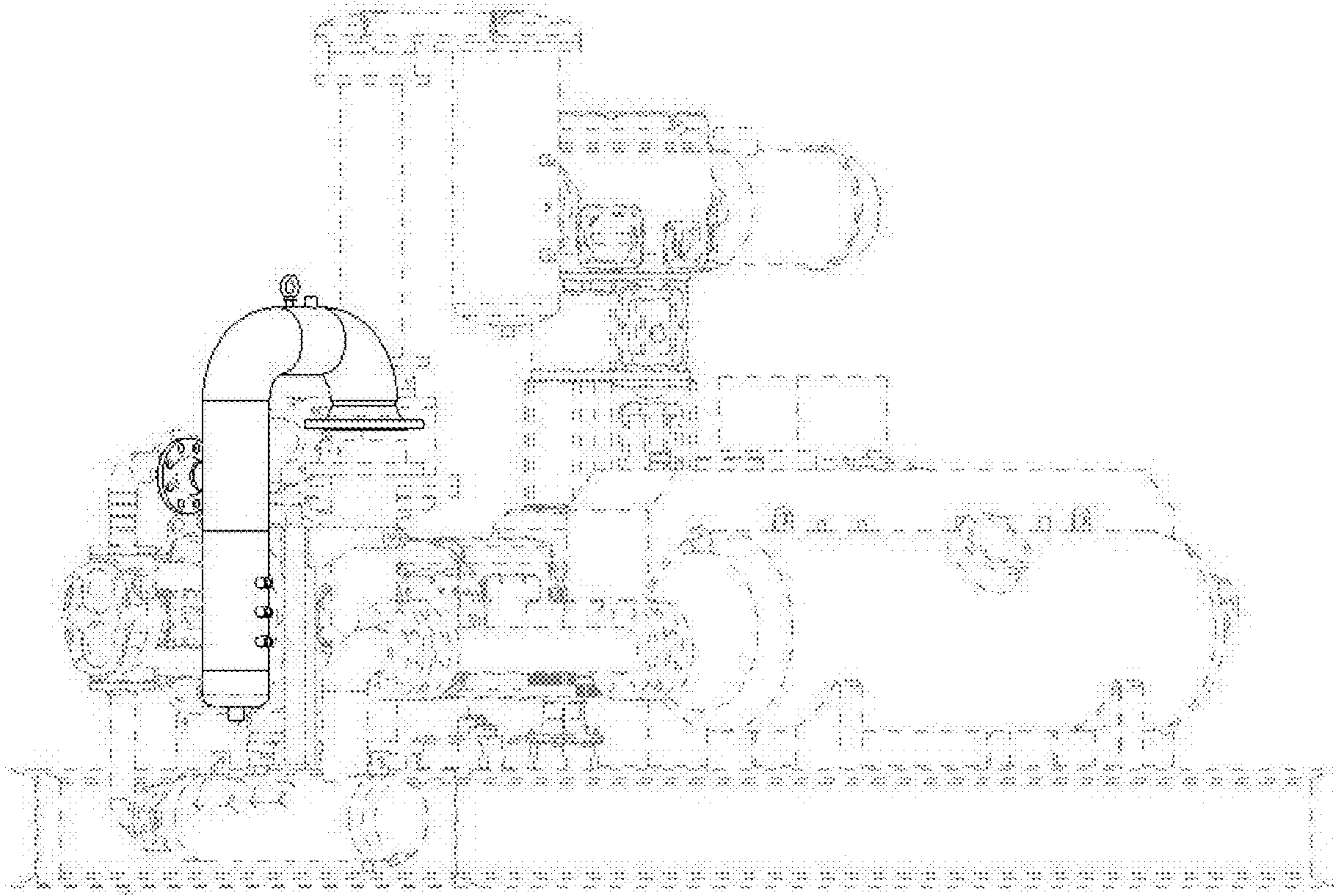
U.S. PATENT DOCUMENTS

D680,133 S * 4/2013 Hoehn D15/7
 D682,885 S * 5/2013 Varini D15/7
 D684,197 S * 6/2013 Kienzle D15/9
 D684,998 S * 6/2013 Southwood D15/7
 D690,324 S * 9/2013 Kienzle D15/9
 D697,532 S * 1/2014 Varini D15/7
 D699,762 S * 2/2014 Alexander D15/7
 D700,211 S * 2/2014 Alexander D15/7
 D709,524 S * 7/2014 Ohser D15/9
 D717,344 S * 11/2014 Ohser D15/9
 D726,225 S * 4/2015 Alexander D15/7
 D726,226 S * 4/2015 Alexander D15/7
 D732,641 S * 6/2015 Hermann D23/233
 D733,764 S * 7/2015 Ohser D15/9
 D745,896 S * 12/2015 Ohser D15/9
 D761,326 S * 7/2016 Kienzle D15/9
 D763,323 S * 8/2016 Mikulic D15/9

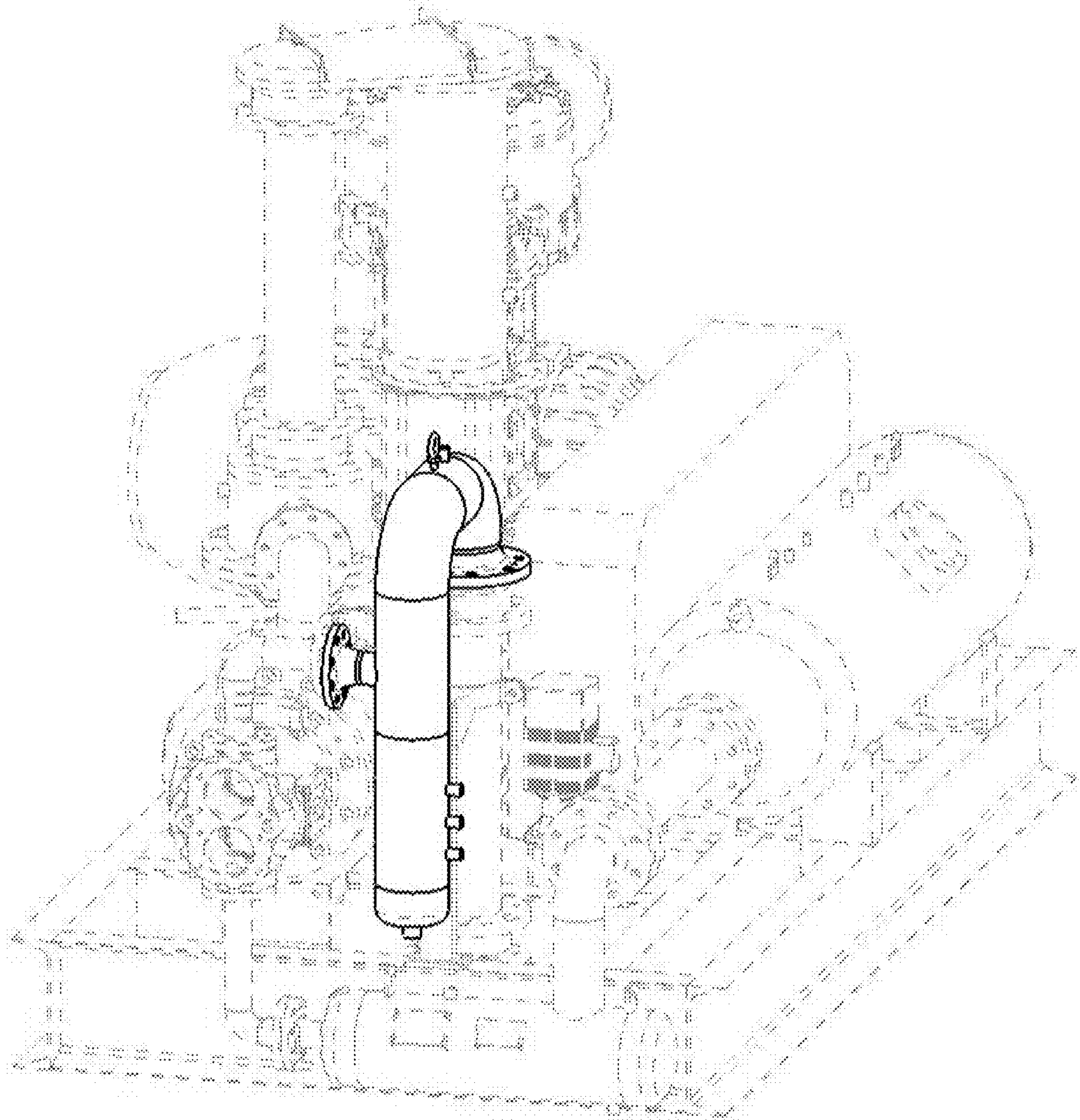
D777,213 S * 1/2017 Ohser D15/9
 D777,794 S * 1/2017 Wipper D15/9
 9,593,692 B2 * 3/2017 Smith F04D 29/4286
 D787,561 S * 5/2017 Theiss D15/7
 D807,924 S * 1/2018 Wilkie D15/7
 D807,925 S * 1/2018 De Keyser D15/9
 D815,152 S * 4/2018 Berry D15/7
 D817,363 S * 5/2018 Alexander D15/7
 D823,898 S * 7/2018 Alexander D15/7
 D823,899 S * 7/2018 Alexander D15/7
 D823,900 S * 7/2018 Alexander D15/7
 D825,615 S * 8/2018 Alexander D15/7
 D828,402 S * 9/2018 Sandkotter D15/9
 D828,403 S * 9/2018 Sandkotter D15/9
 D829,771 S * 10/2018 Loerch D15/9
 D830,416 S * 10/2018 Shin D15/7
 D832,900 S * 11/2018 Tuttle D15/143
 D836,677 S * 12/2018 Alexander D15/7
 D840,438 S * 2/2019 Mikulic D15/9

* cited by examiner

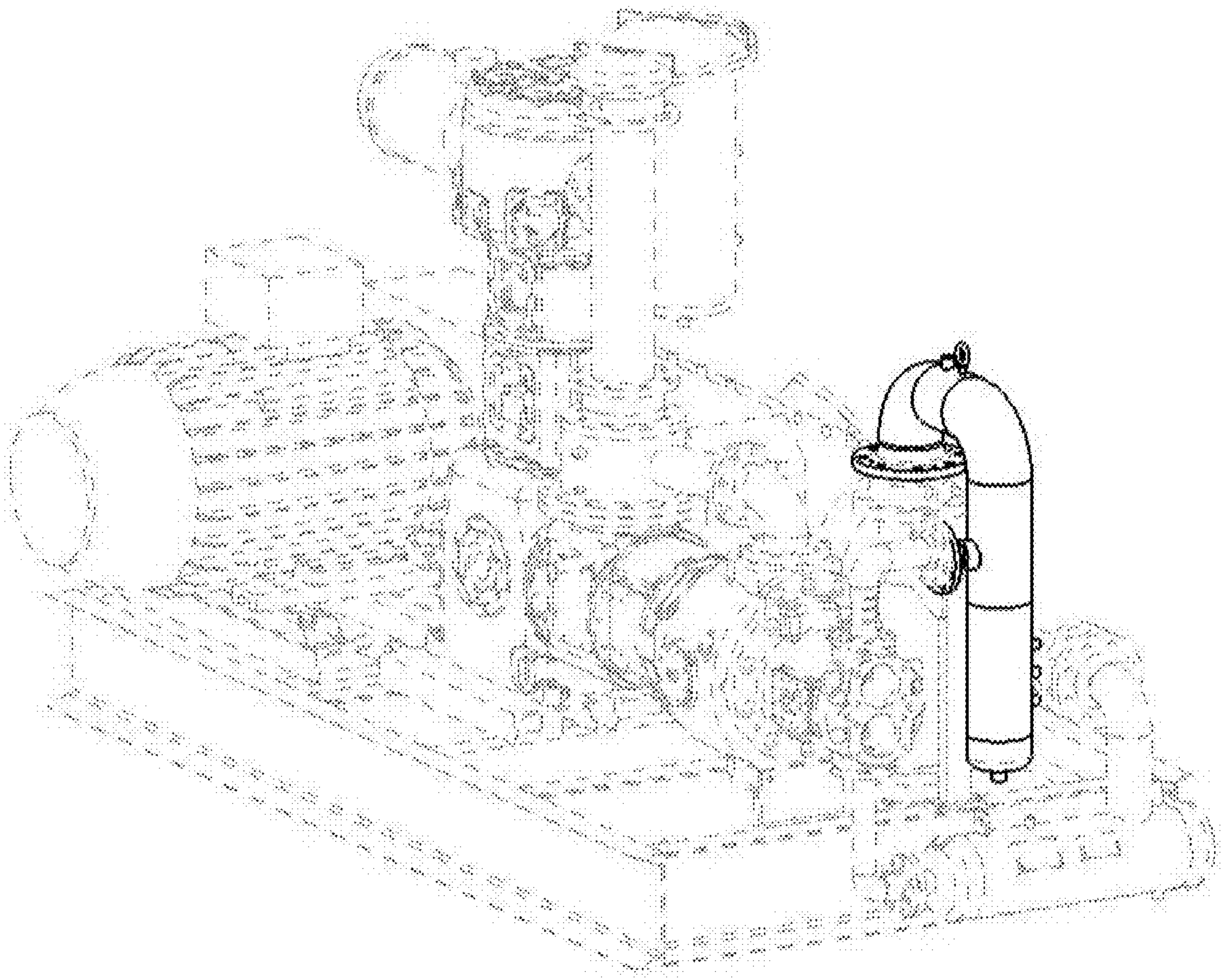
1.1



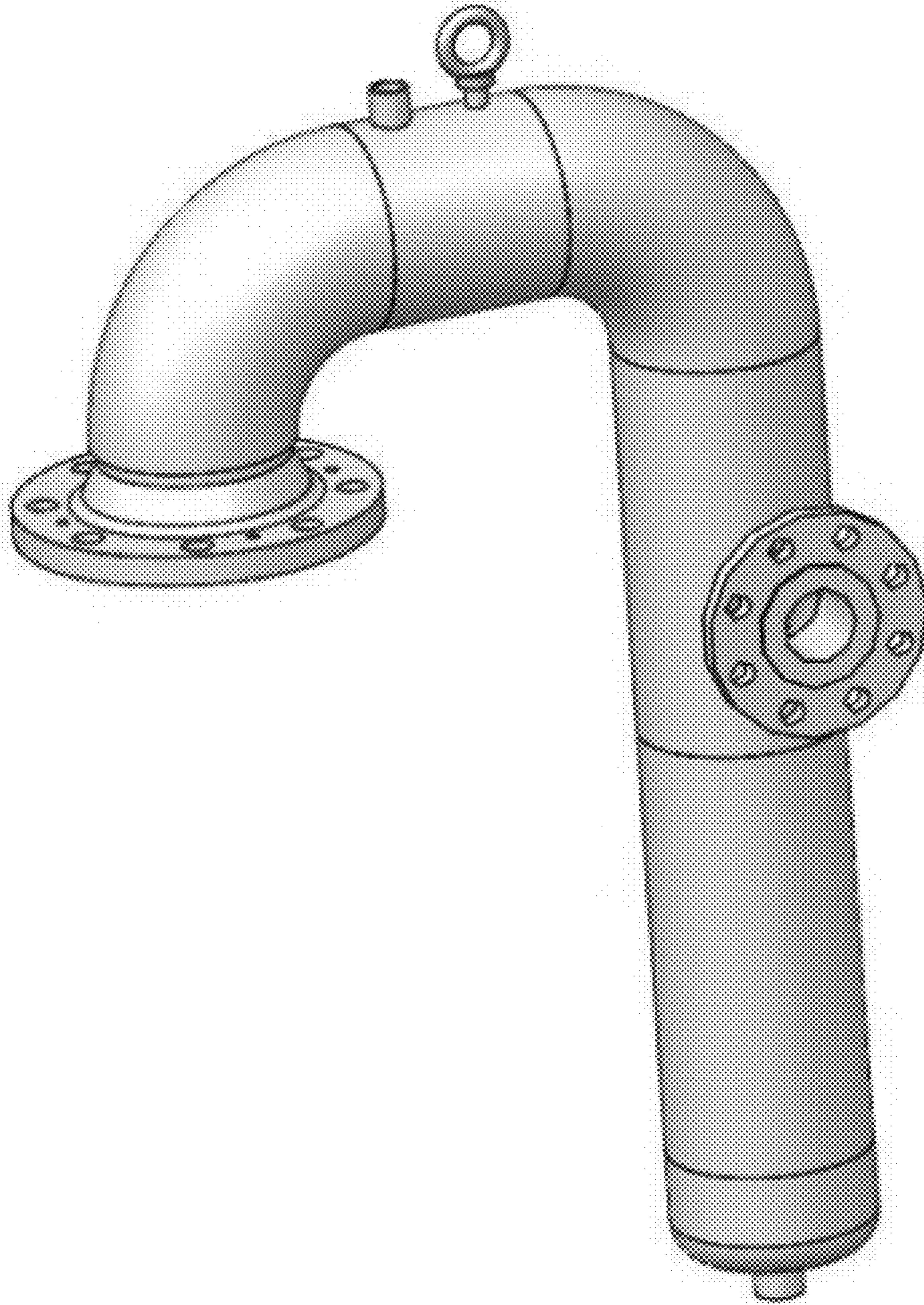
1.2



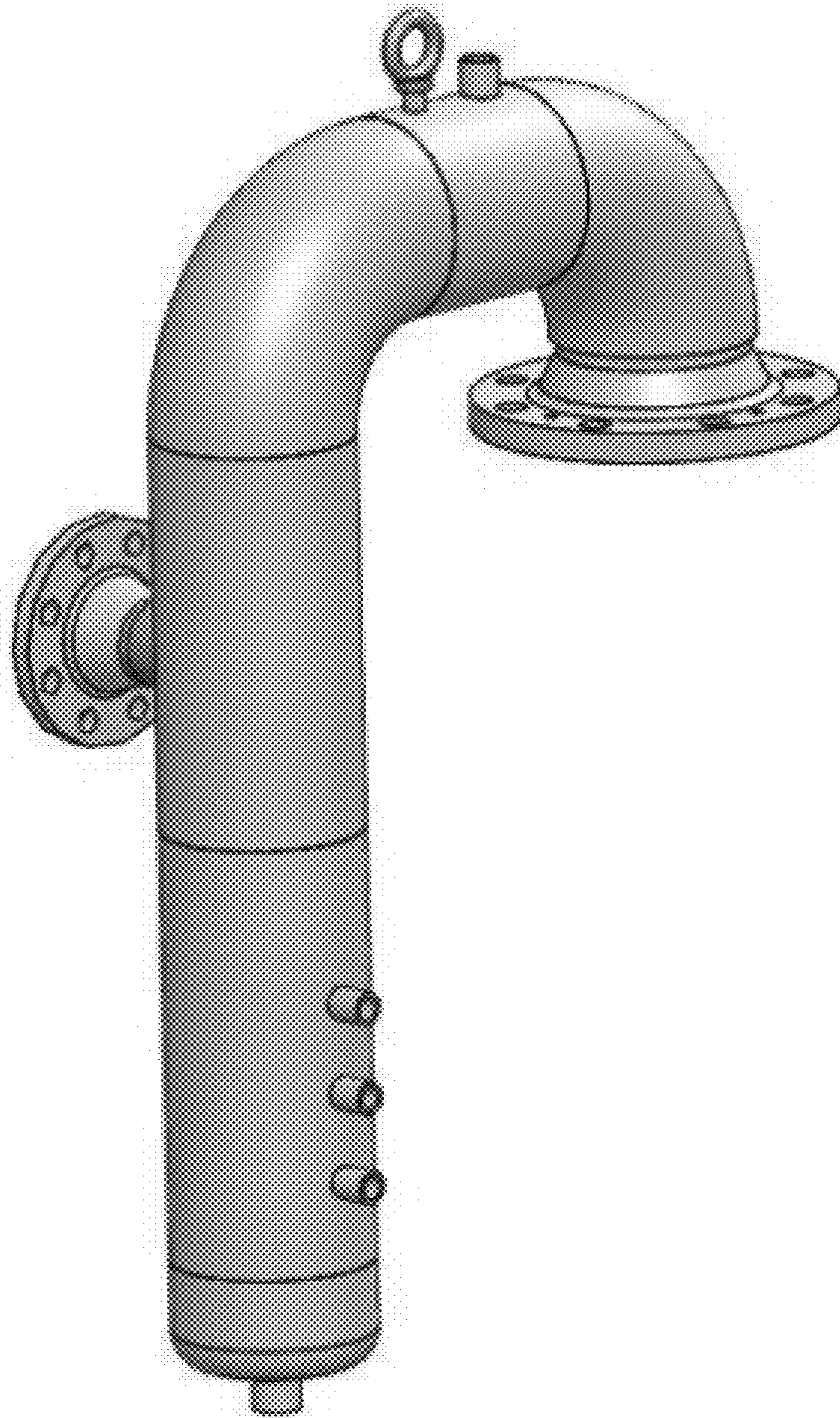
1.3



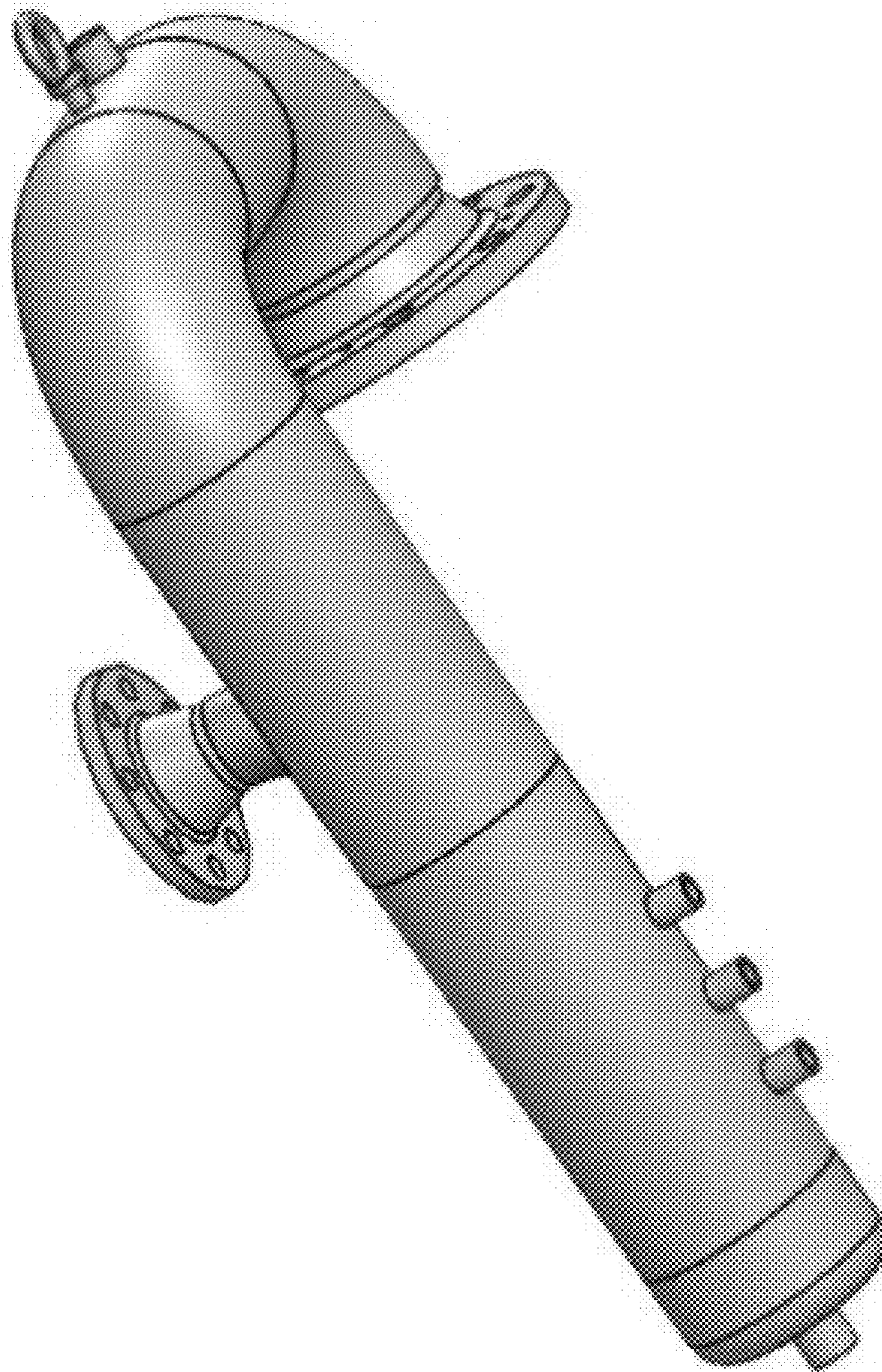
1.4



1.5



1.6



1.7

