



US00D865817S

(12) **United States Design Patent**  
**Miyazaki**

(10) **Patent No.:** **US D865,817 S**

(45) **Date of Patent:** **\*\* Nov. 5, 2019**

(54) **INTERNAL COMBUSTION ENGINE**

(71) Applicant: **Kawasaki Jukogyo Kabushiki Kaisha,**  
Kobe-shi, Hyogo (JP)

(72) Inventor: **Hideshi Miyazaki,** Akashi (JP)

(73) Assignee: **KAWASAKI JUKOGYO**  
**KABUSHIKI KAISHA** (JP)

(\*\*) Term: **15 Years**

(21) Appl. No.: **29/654,471**

(22) Filed: **Jun. 25, 2018**

(51) **LOC (12) Cl.** ..... **15-01**

(52) **U.S. Cl.**  
USPC ..... **D15/1**

(58) **Field of Classification Search**

USPC ..... D15/1-5, 11, 12, 17, 14, 149

CPC ..... F01P 5/02; F01P 1/02; F01P 1/06; F01P  
2001/023; F02B 75/007; F02B 63/02;  
F02B 75/02; F02B 2075/022; F02B  
75/16; F02B 2075/025; F02B 75/18

See application file for complete search history.

(56) **References Cited**

**U.S. PATENT DOCUMENTS**

D353,382 S \* 12/1994 Kiyooka ..... D15/1  
D599,822 S \* 9/2009 Okuda ..... D15/1  
D644,664 S \* 9/2011 Sugiyama ..... D15/1  
D646,299 S \* 10/2011 Aruga ..... D15/1

D682,782 S \* 5/2013 Yamamoto ..... D13/112  
D700,620 S \* 3/2014 Aruga ..... D15/1  
D704,741 S \* 5/2014 Tinius ..... D15/1  
D794,077 S \* 8/2017 Shimogami ..... D15/1  
D796,553 S \* 9/2017 Tinius ..... D15/1  
D849,795 S \* 5/2019 Taniguchi ..... D15/1  
2014/0216402 A1 \* 8/2014 Oppenlander ..... F02M 3/10  
123/437  
2016/0237876 A1 \* 8/2016 Ichihashi ..... F01N 3/10

\* cited by examiner

*Primary Examiner* — T Chase Nelson

*Assistant Examiner* — Ania K Aman

(57) **CLAIM**

The ornamental design for an internal combustion engine, as shown and described.

**DESCRIPTION**

FIG. 1 is a front elevational view of an internal combustion engine showing my new design;

FIG. 2 is a rear elevational view thereof;

FIG. 3 is a left side elevational view thereof;

FIG. 4 is a right side elevational view thereof;

FIG. 5 is a top plan view thereof;

FIG. 6 is a bottom plan view thereof;

FIG. 7 is a front left high perspective view thereof;

FIG. 8 is a front left low perspective view thereof;

FIG. 9 is a rear left high perspective view thereof;

FIG. 10 is a front right high perspective view thereof; and,

FIG. 11 is a rear right high perspective view thereof.

**1 Claim, 11 Drawing Sheets**

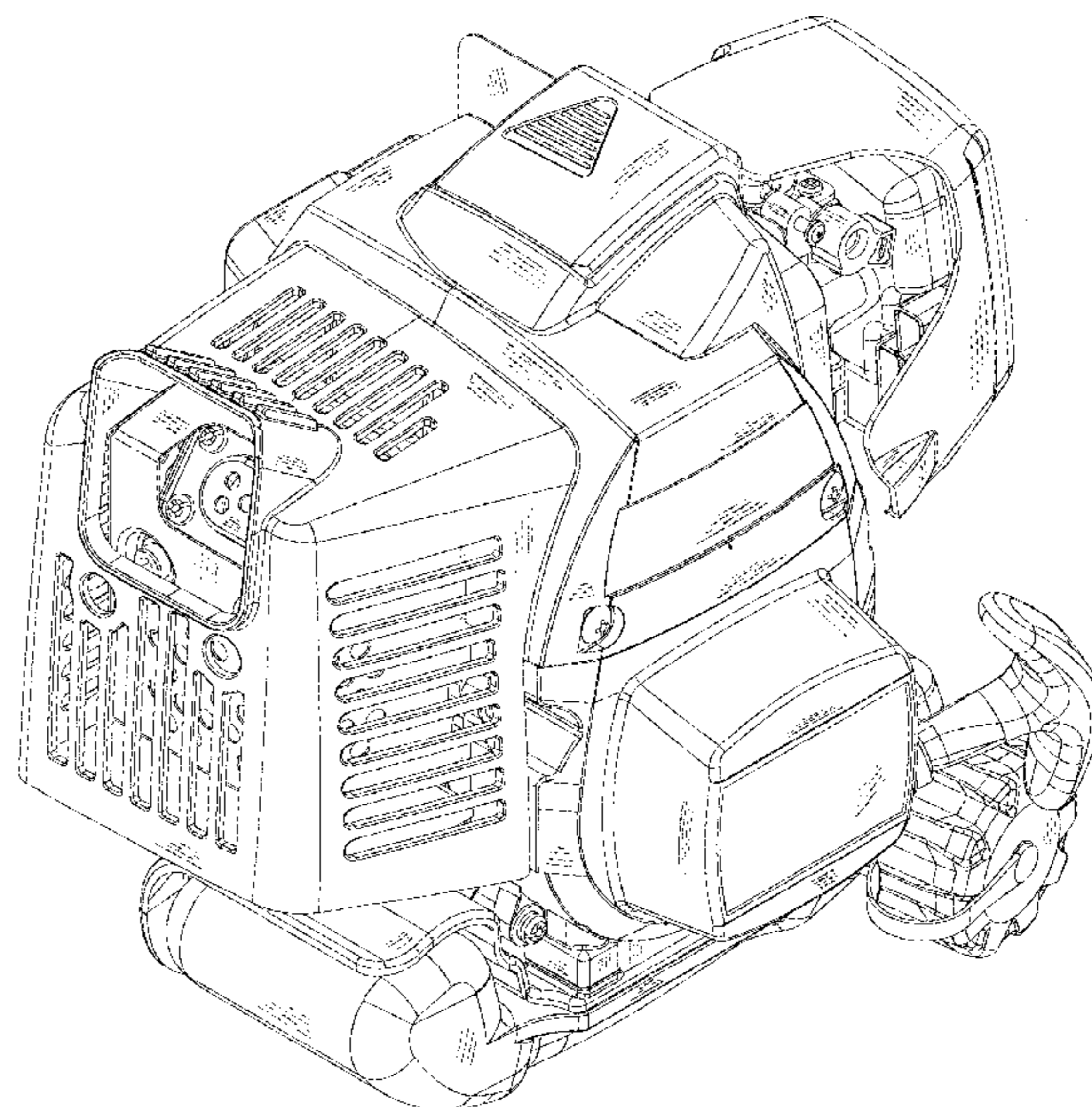
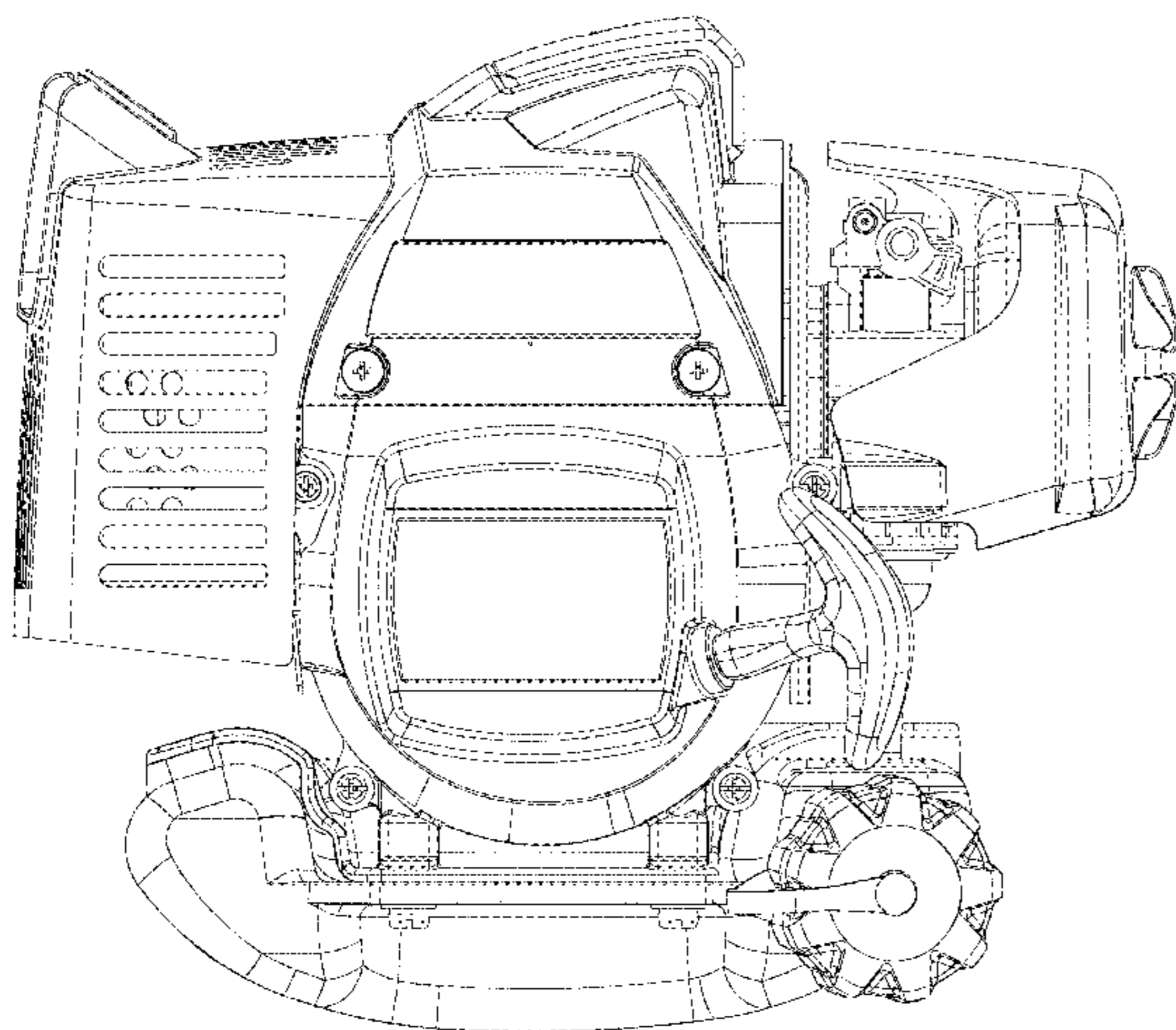


Fig. 1

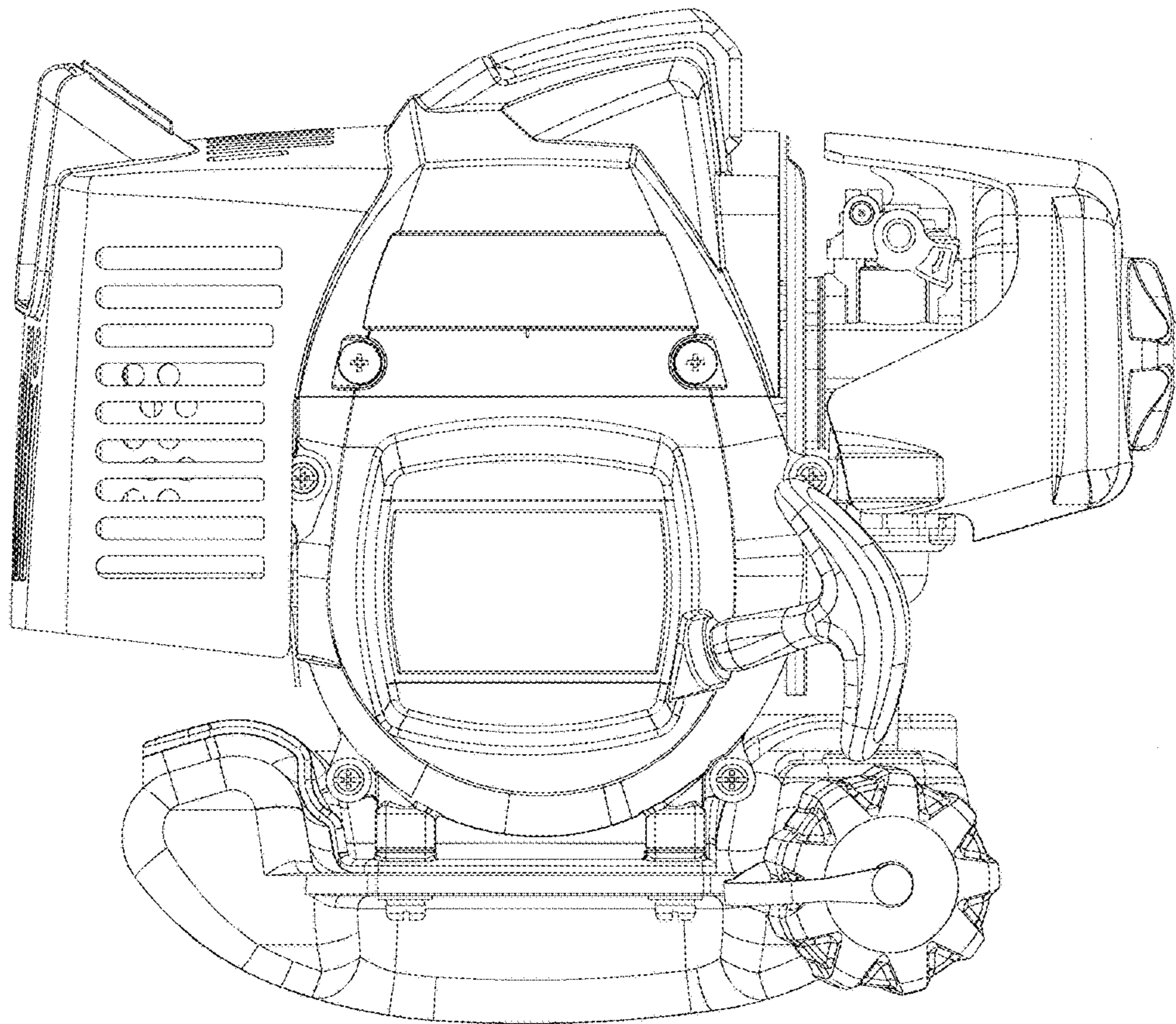


Fig. 2

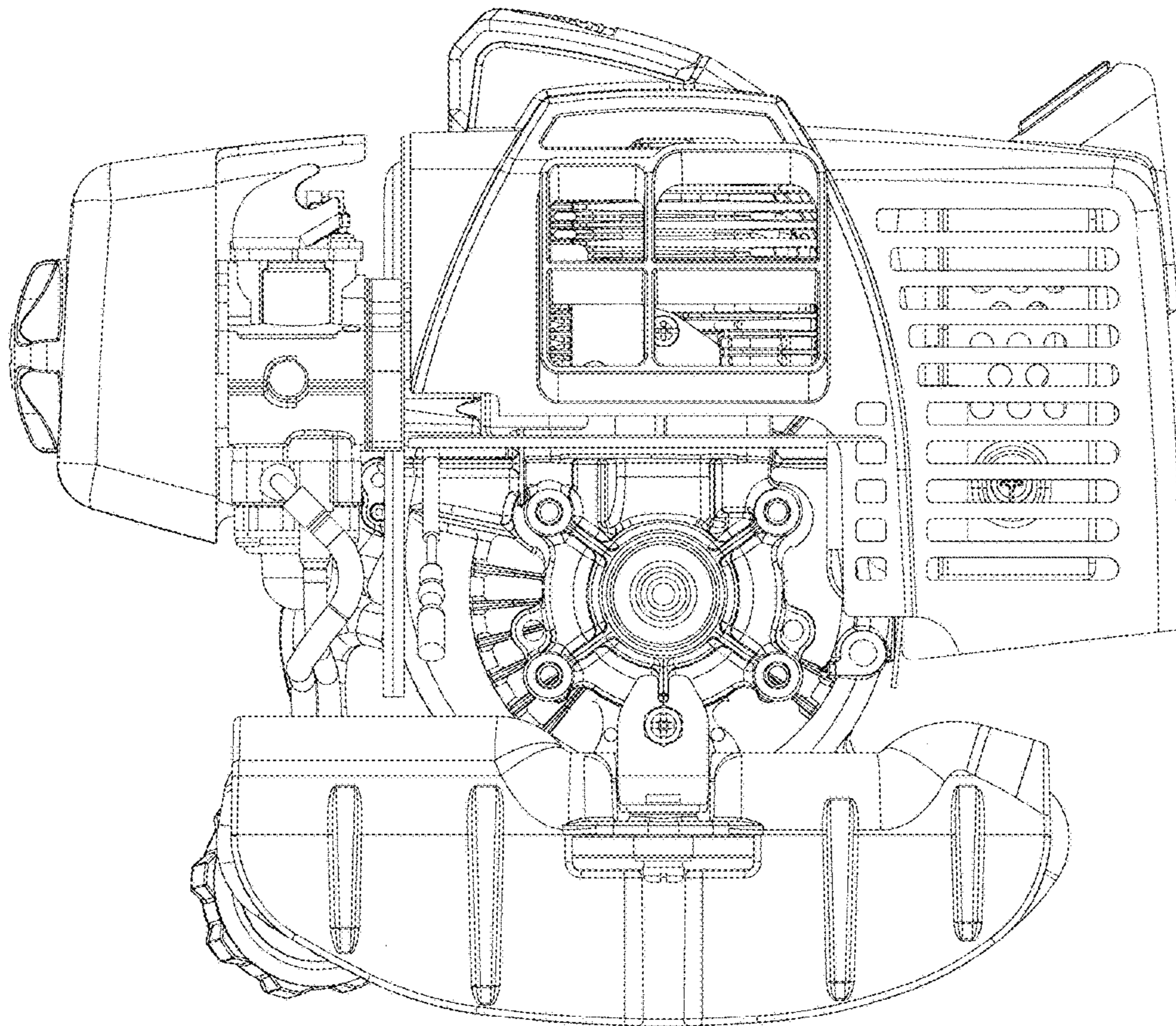


Fig. 3

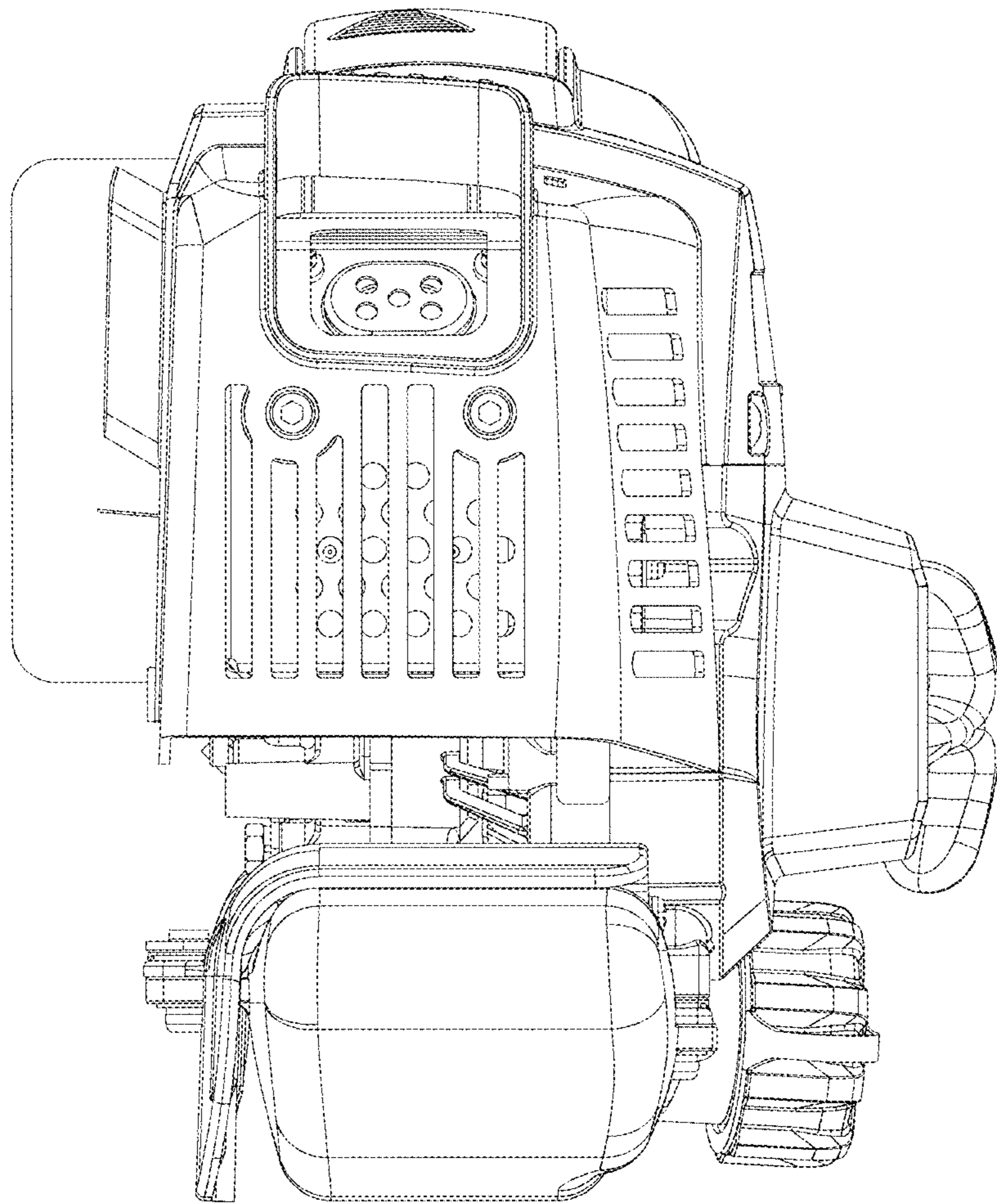


Fig. 4

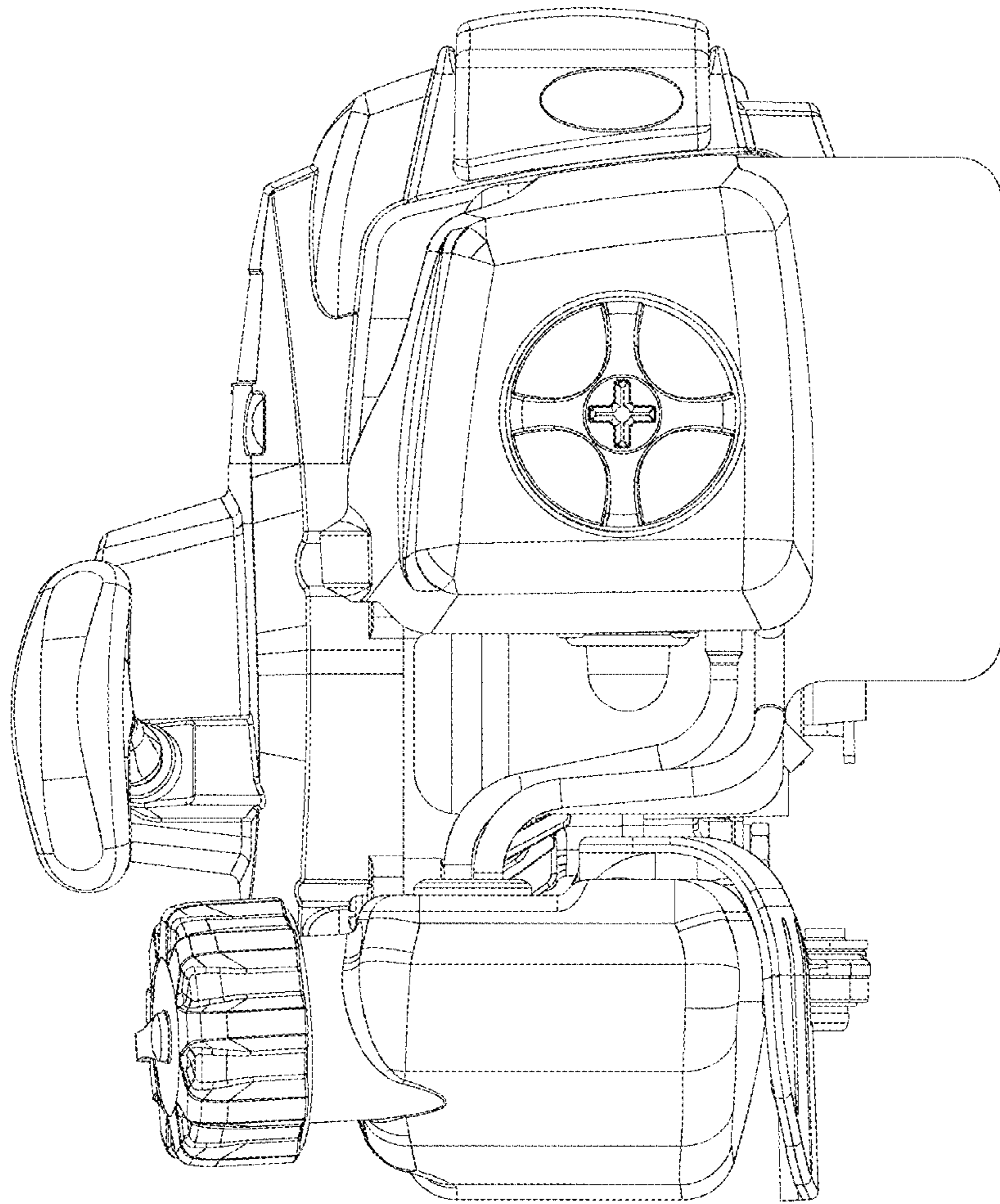


Fig. 5

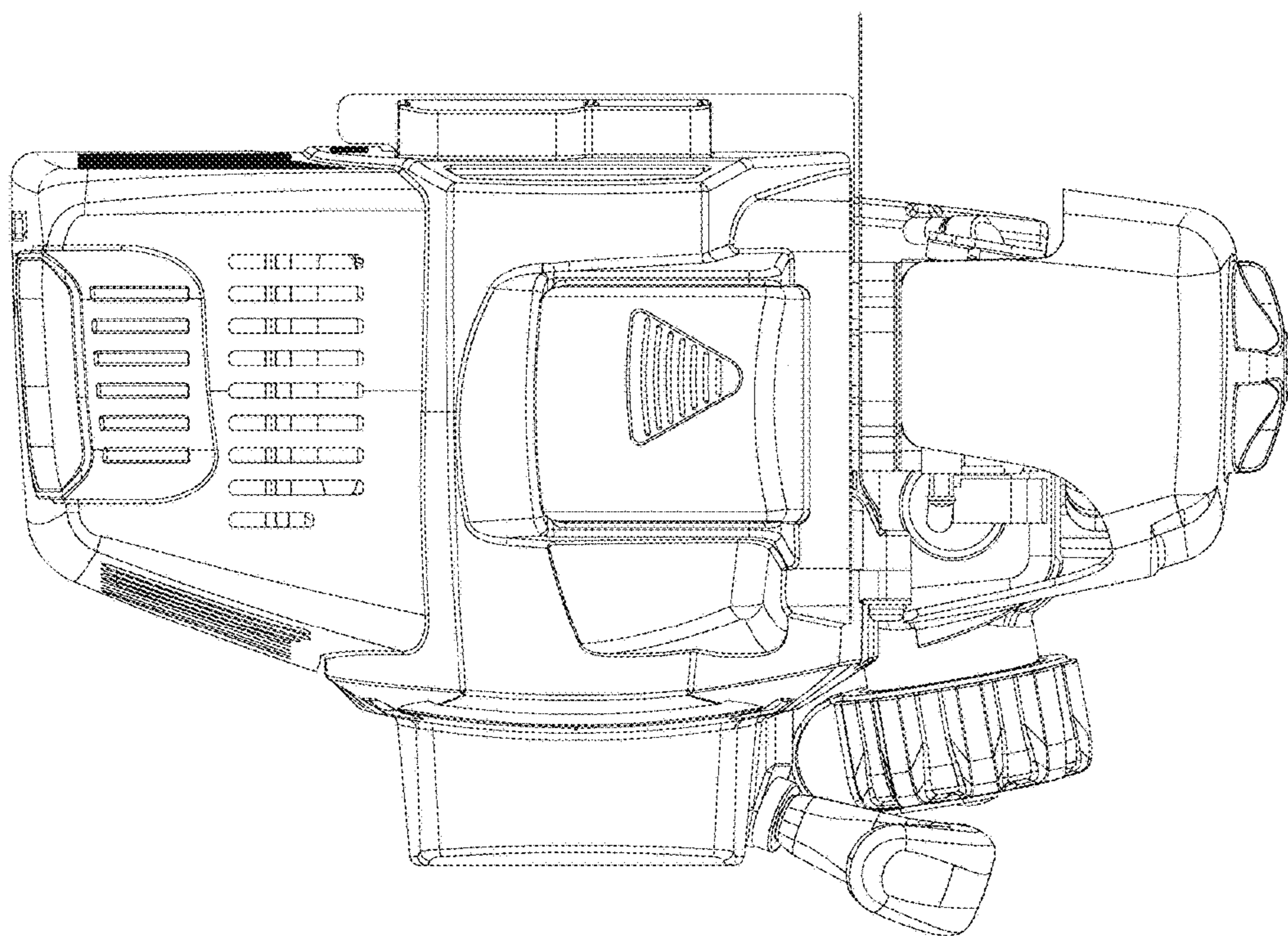


Fig. 6

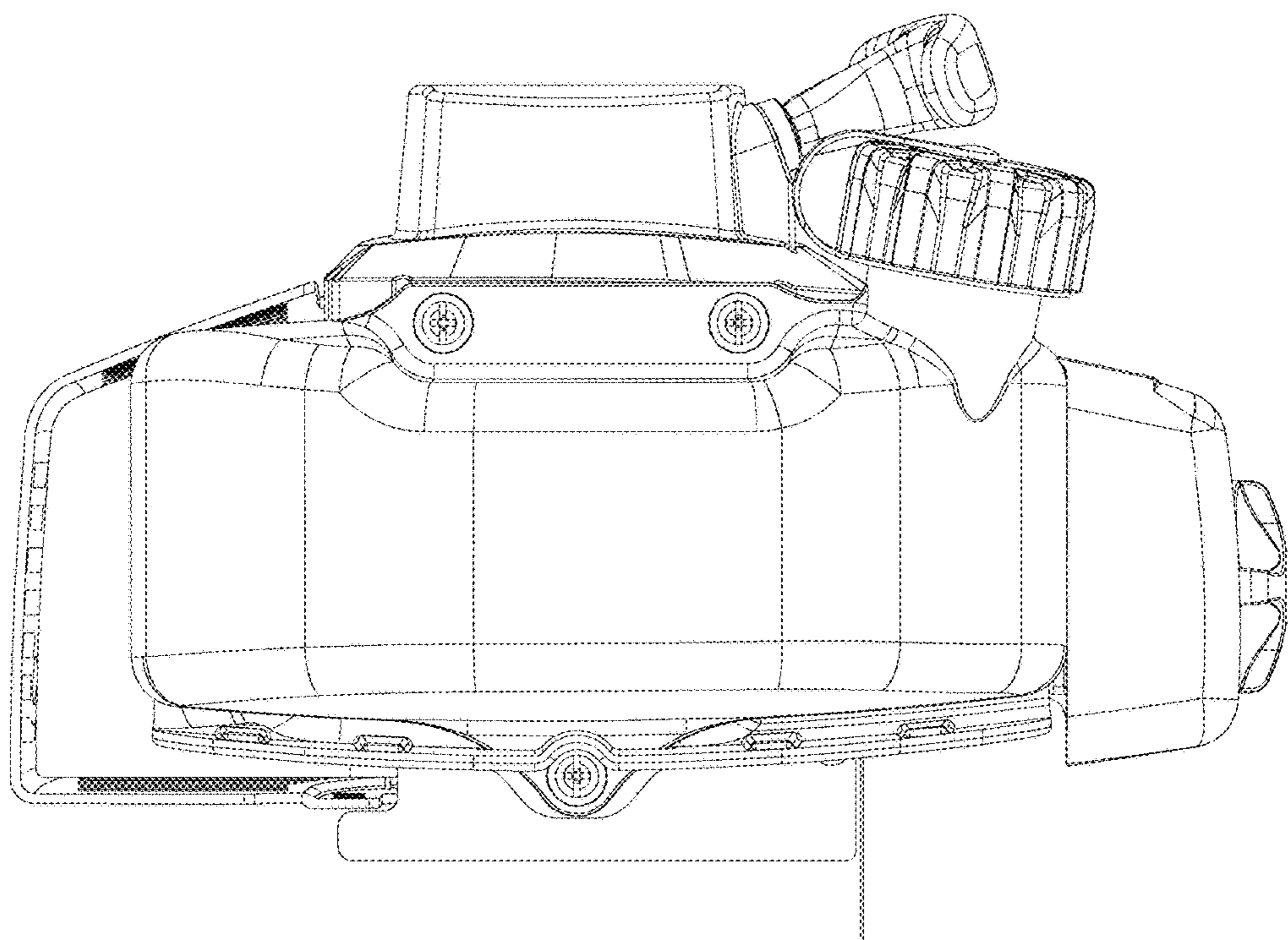


Fig. 7

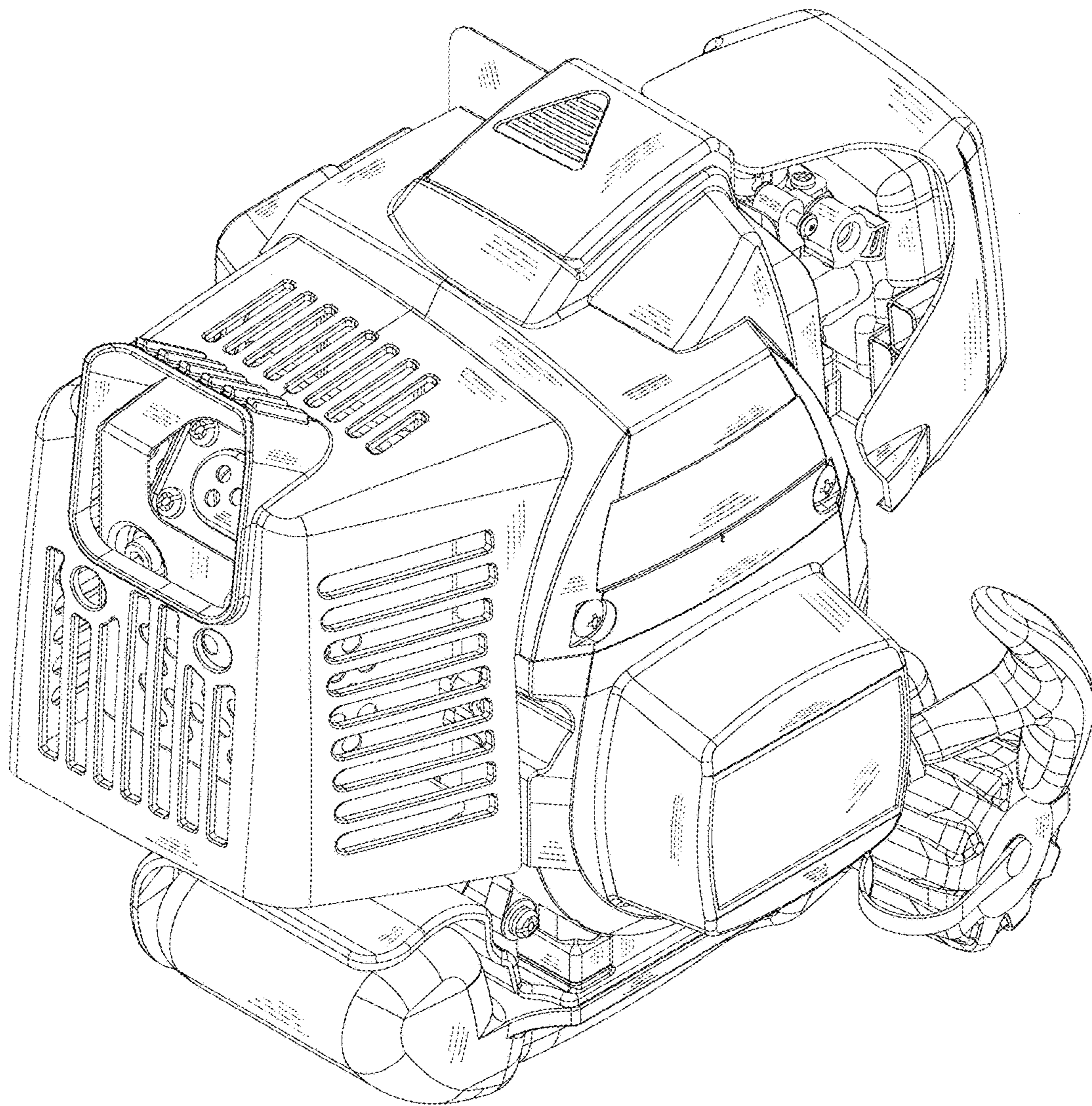




Fig. 8

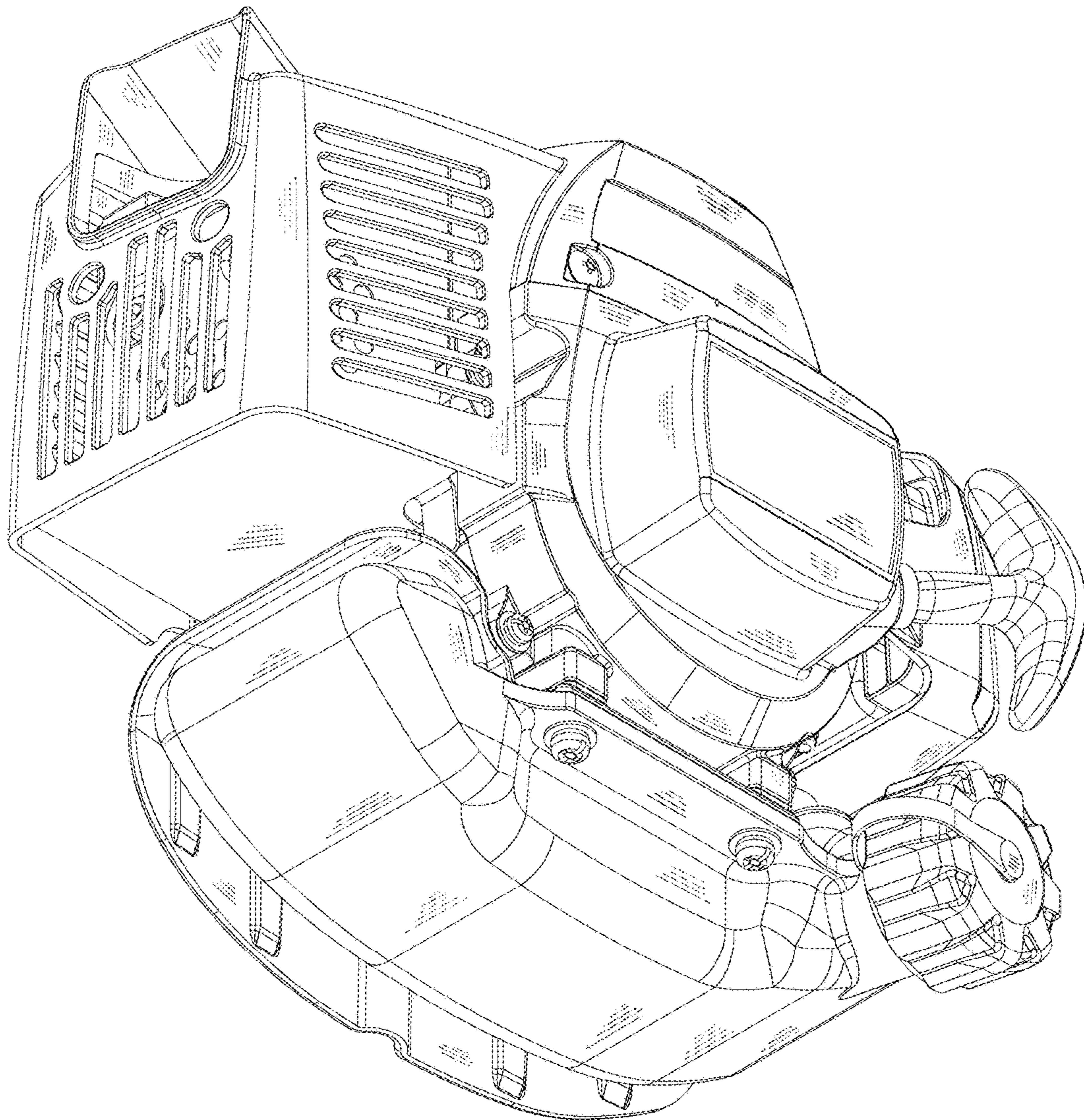


Fig. 9

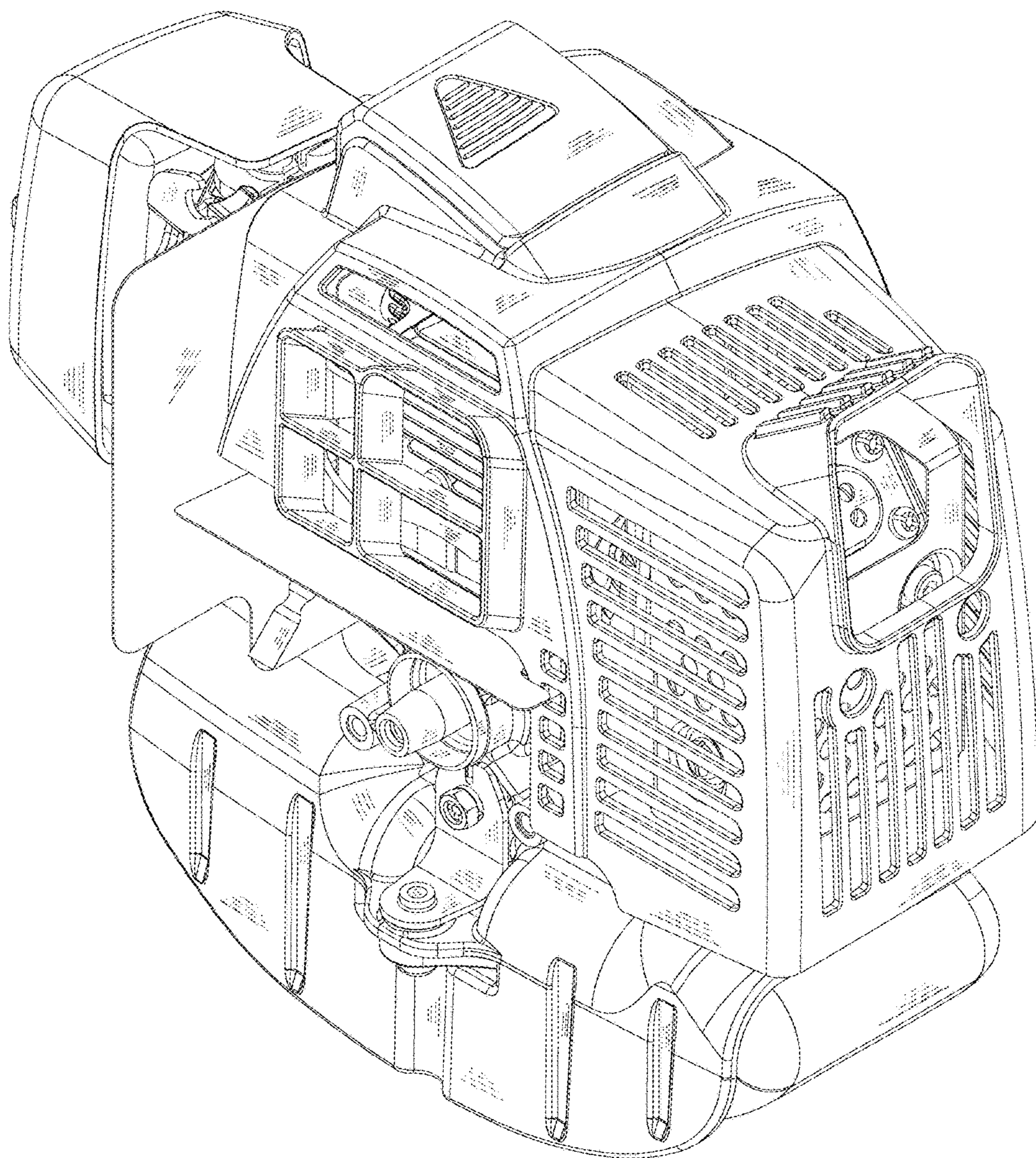


Fig. 10

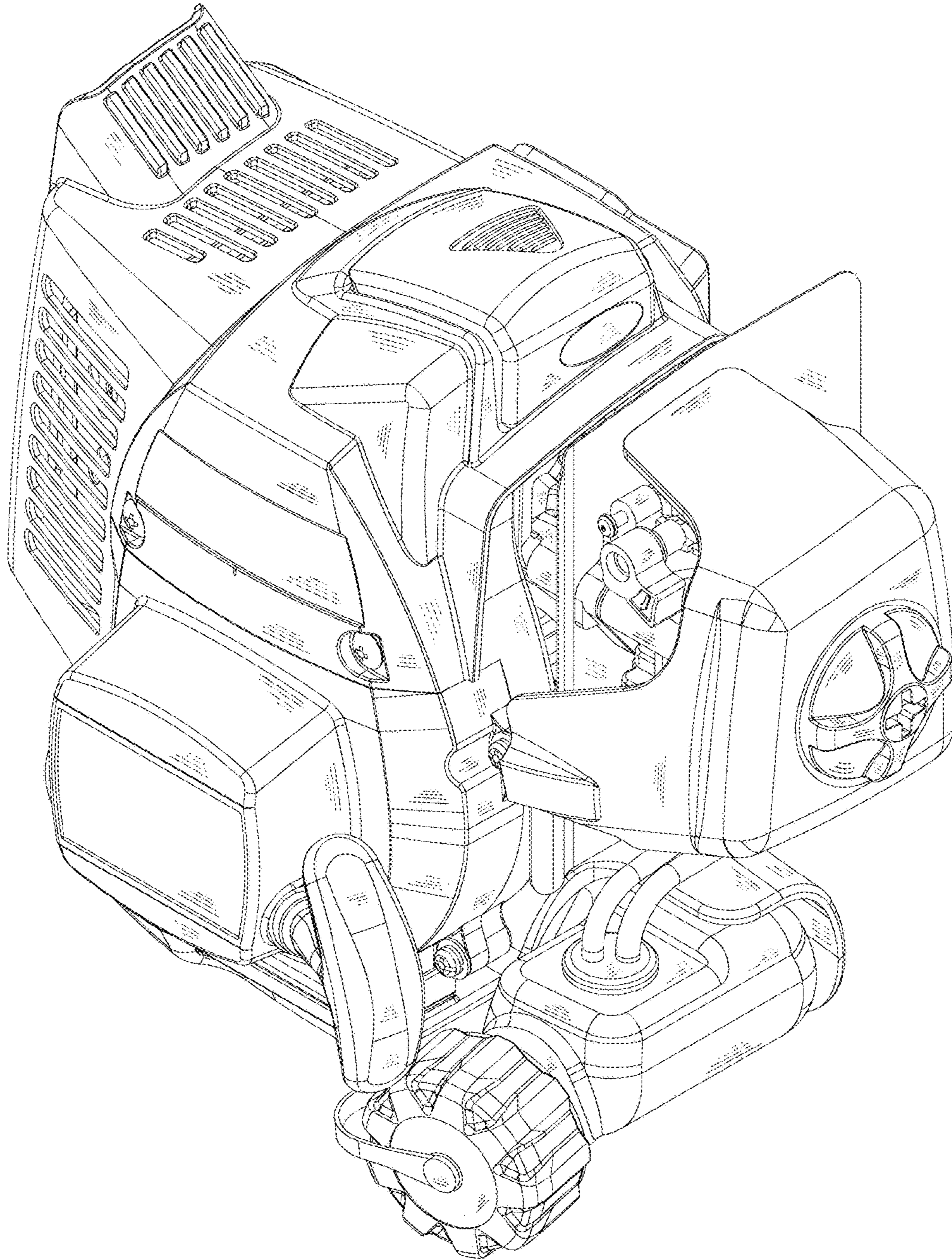


Fig. 11

