



US00D865816S

(12) **United States Design Patent** (10) **Patent No.:** **US D865,816 S**
Lien (45) **Date of Patent:** **** Nov. 5, 2019**

(54) **ENGINE**

(71) Applicant: **Black & Decker Inc.**, New Britain, CT (US)

(72) Inventor: **Liu Chao Lien**, Taichung (TW)

(73) Assignee: **Black & Decker Inc.**, New Britain, CT (US)

(**) Term: **15 Years**

(21) Appl. No.: **29/629,809**

(22) Filed: **Dec. 15, 2017**

(51) **LOC (12) Cl.** **15-01**

(52) **U.S. Cl.**
USPC **D15/1**

(58) **Field of Classification Search**
USPC D15/1-6
CPC ... F01M 5/00; F16M 1/026; F02P 3/02; F02B 37/013

See application file for complete search history.

(56) **References Cited**

U.S. PATENT DOCUMENTS

D531,638 S	*	11/2006	Drew	D15/1
D583,831 S	*	12/2008	Post	D15/5
D628,596 S	*	12/2010	Azuma	D15/1
D776,164 S	*	1/2017	Hashimoto	D15/1

D780,225 S	*	2/2017	Hashimoto	D15/1
2013/0019822 A1	*	1/2013	Raasch	F02N 3/02
					123/41.65
2015/0361932 A1	*	12/2015	Kakuk	F02B 75/00
					55/385.3

* cited by examiner

Primary Examiner — T Chase Nelson

Assistant Examiner — Ania Aman

(74) *Attorney, Agent, or Firm* — Adan Ayala

(57) **CLAIM**

The ornamental design for an engine, as shown and described.

DESCRIPTION

FIG. 1 is a front perspective view of an engine according to the invention.

FIG. 2 is a front view of the engine of FIG. 1.

FIG. 3 is a rear view of the engine of FIG. 1.

FIG. 4 is a left side view of the engine of FIG. 1.

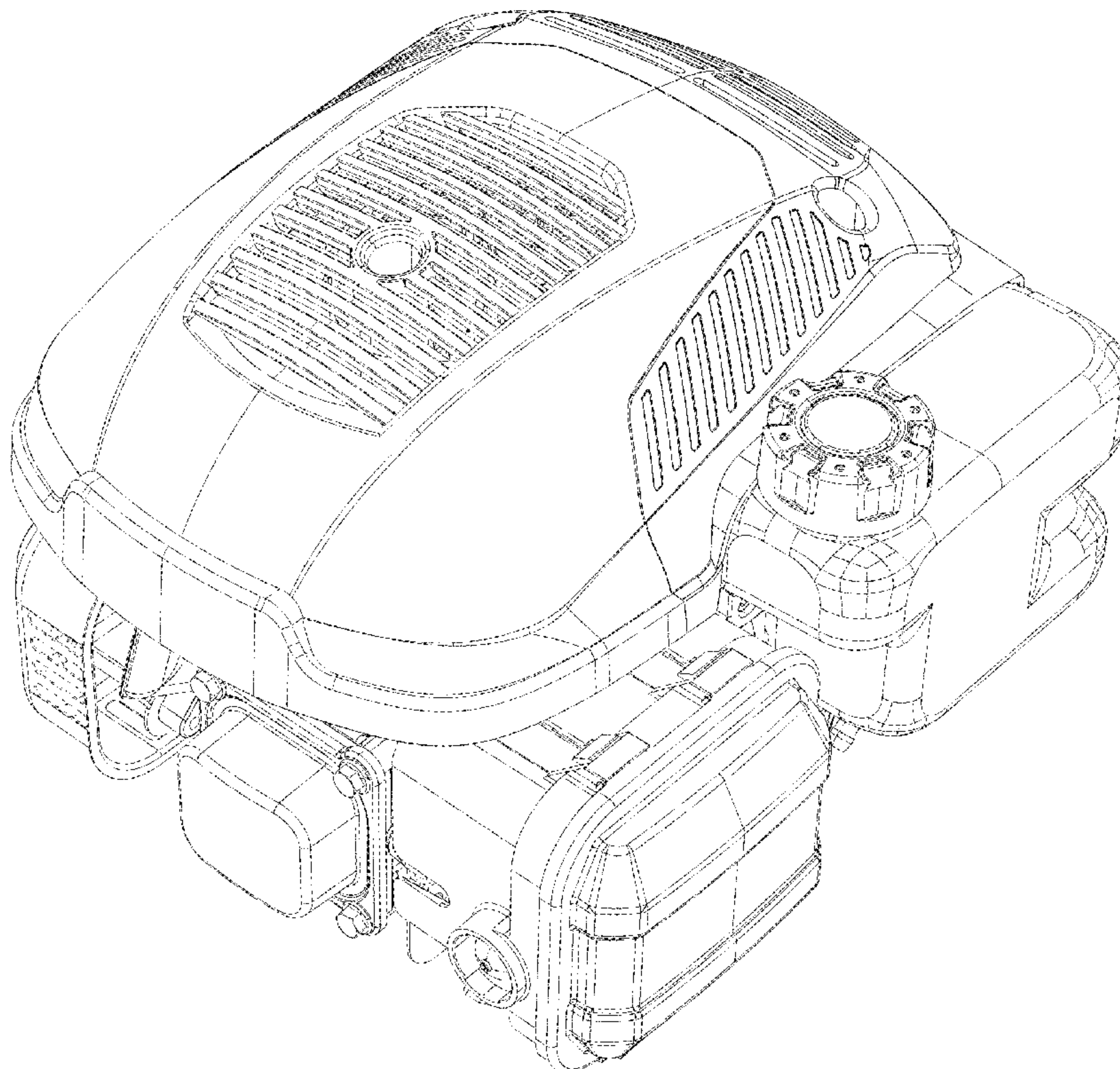
FIG. 5 is a right side view of the engine of FIG. 1.

FIG. 6 is a top plan view of the engine of FIG. 1; and,

FIG. 7 is a bottom plan view of the engine of FIG. 1.

The broken lines shown in FIGS. 1, 2, 4-5 and 7 illustrate portions of the engine that form no part of the claimed design.

1 Claim, 7 Drawing Sheets



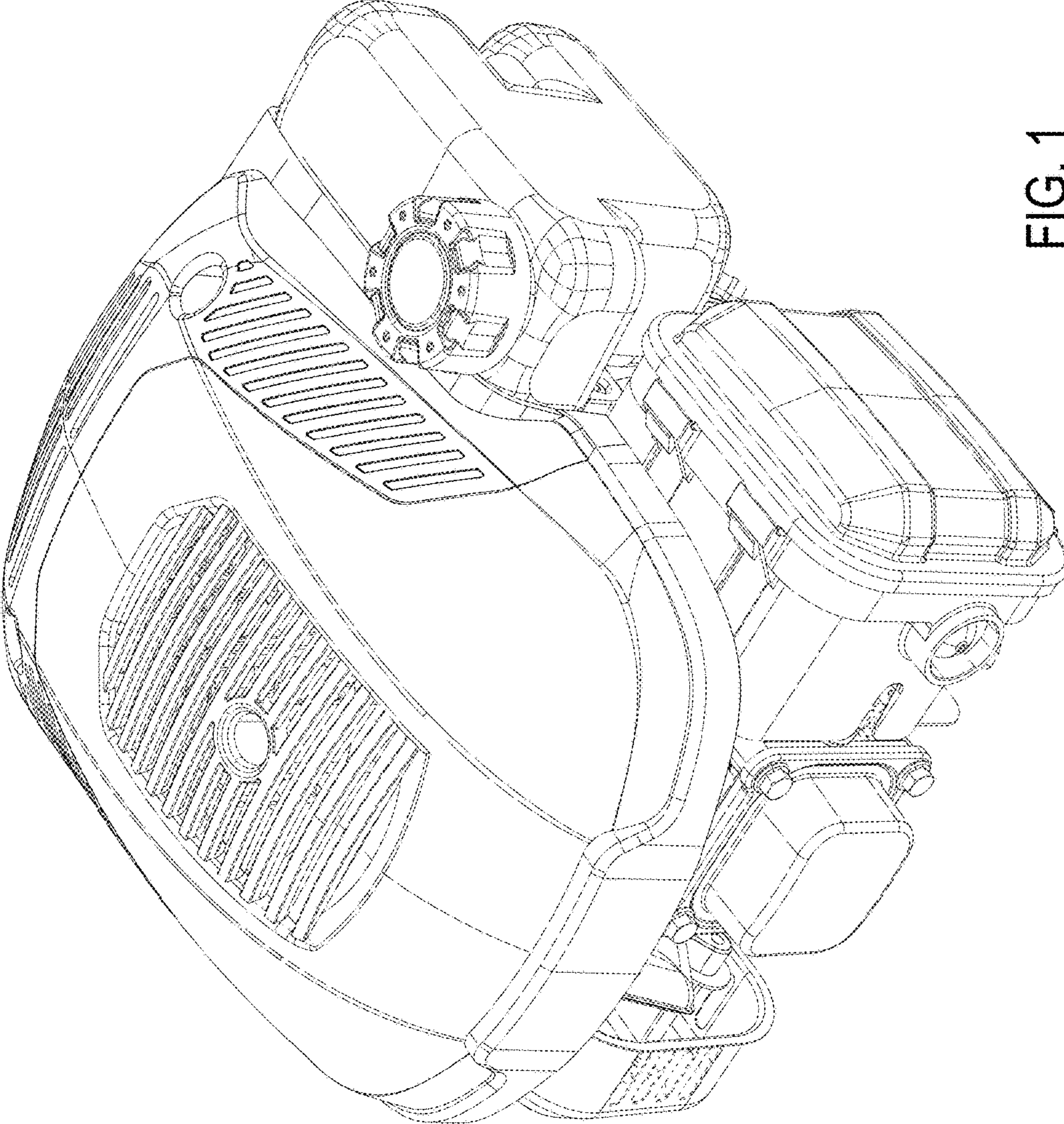


FIG. 1

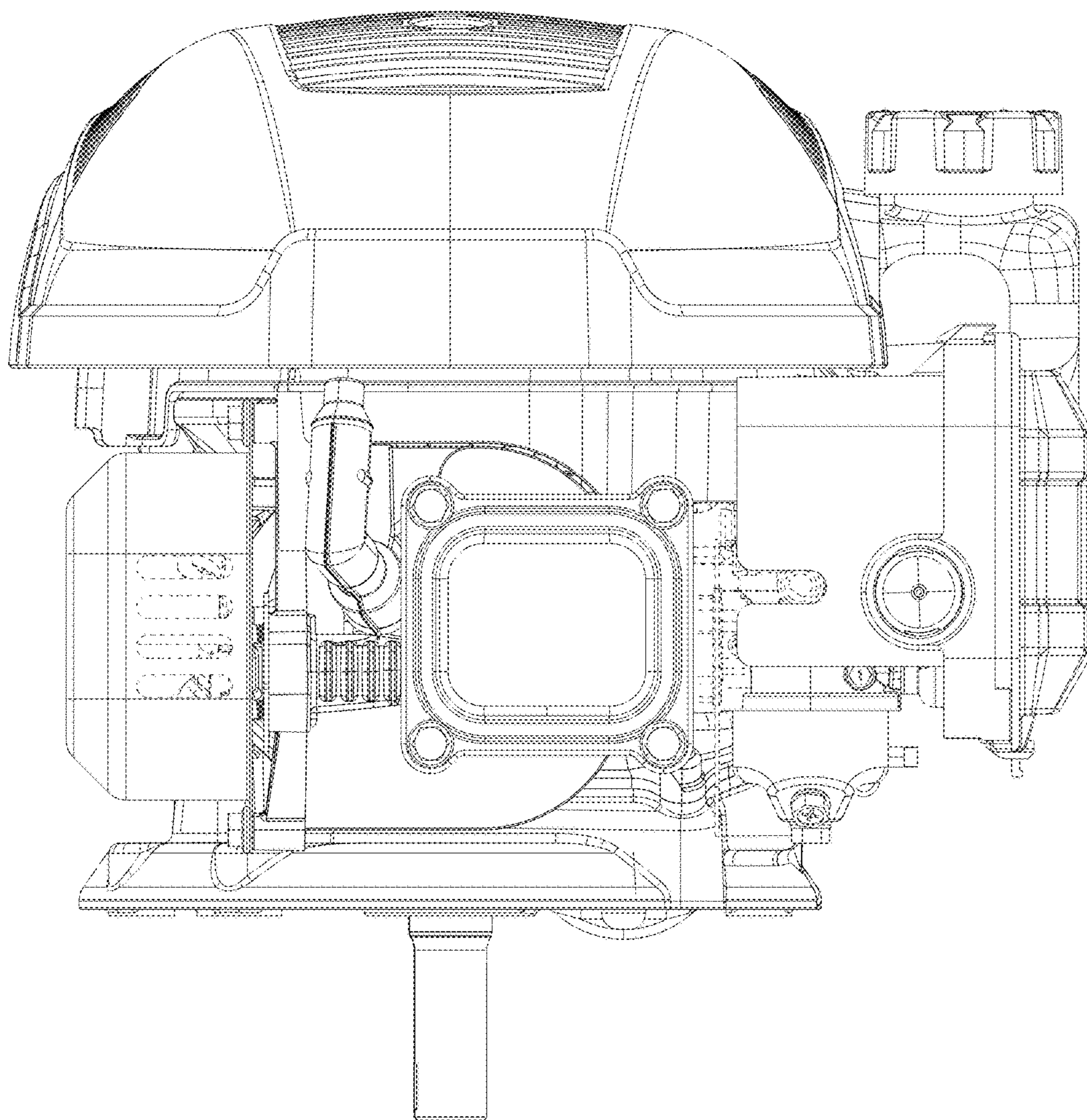


FIG. 2

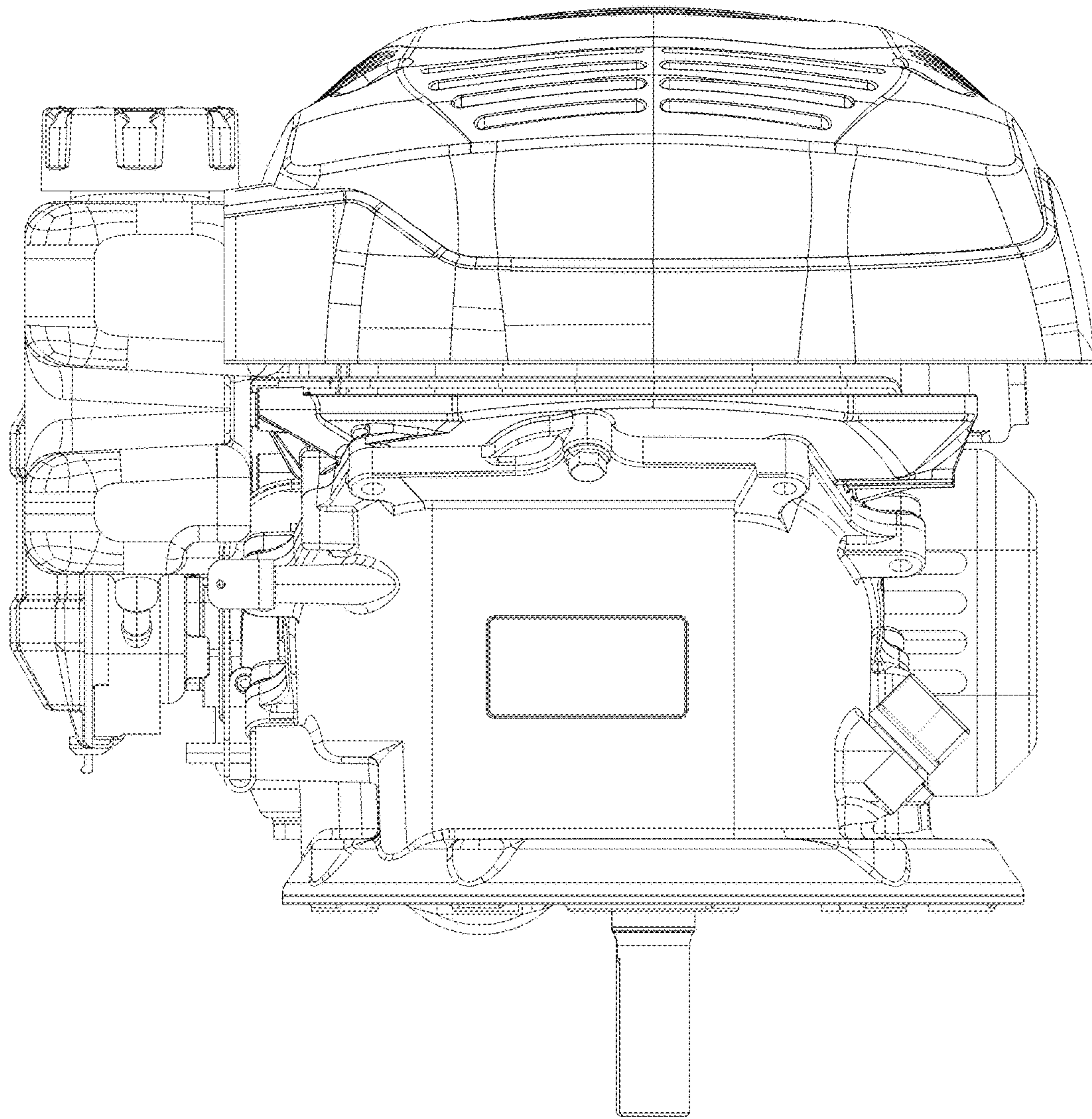


FIG. 3

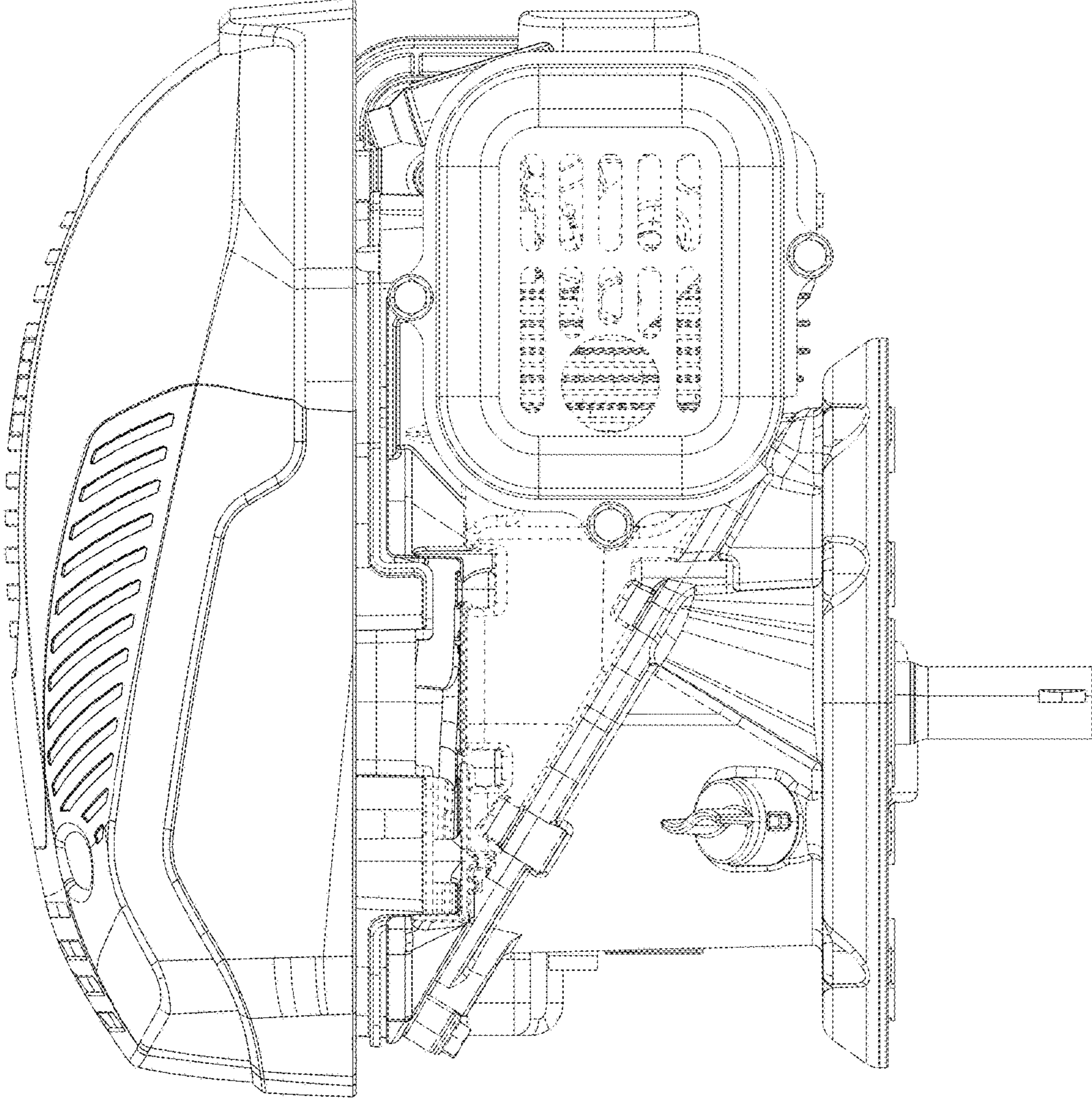


FIG. 4

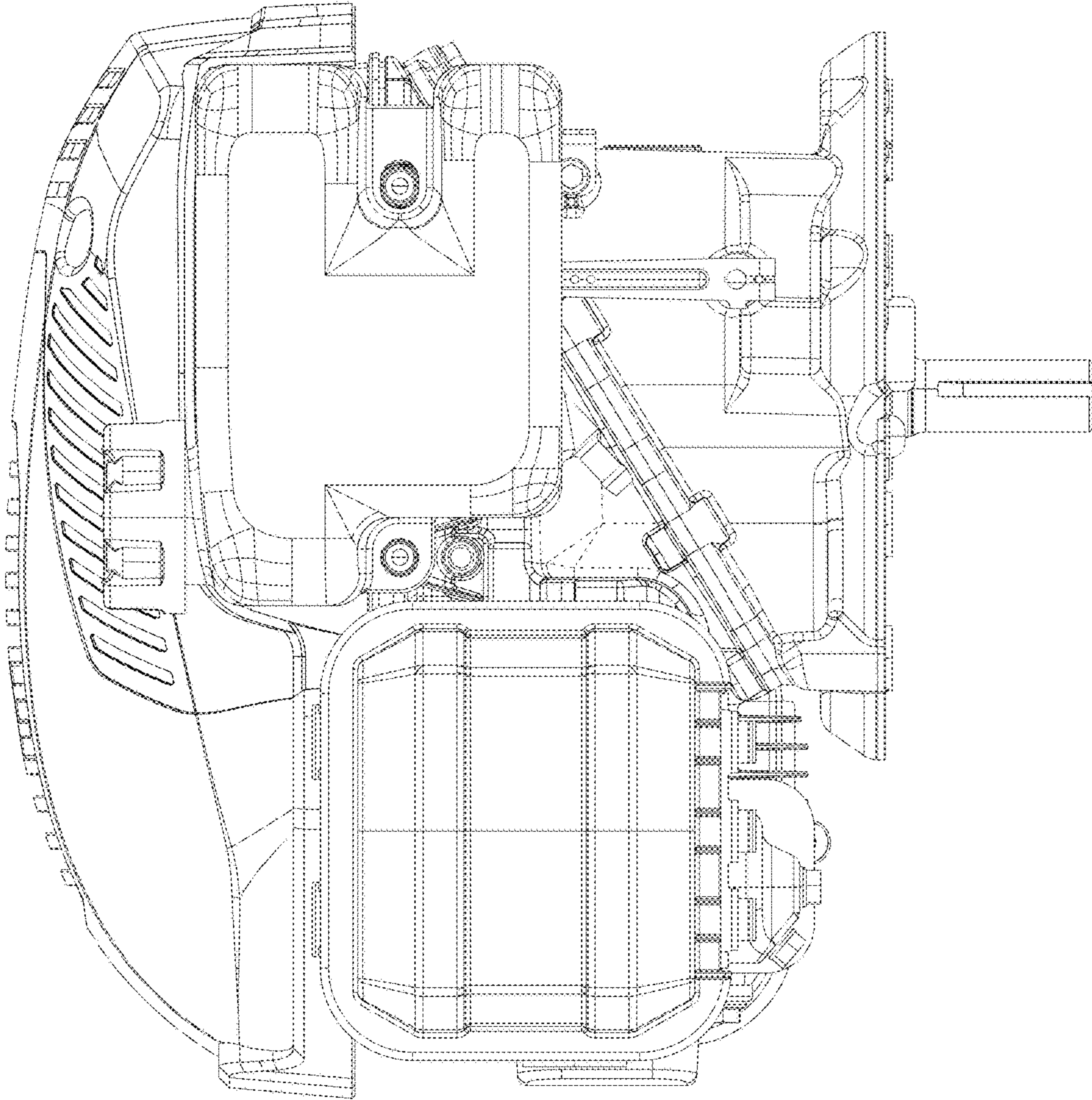


FIG. 5

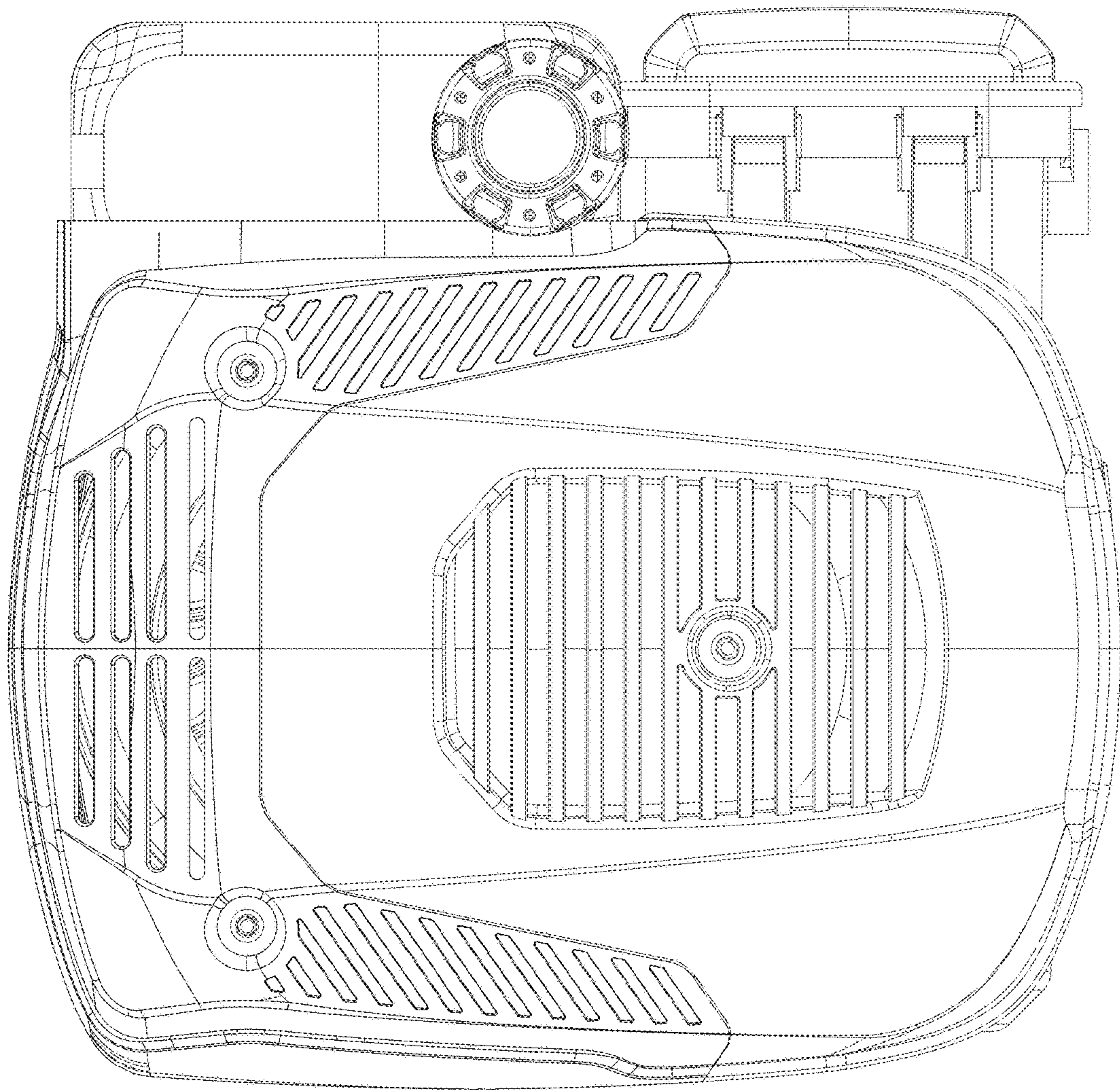


FIG. 6

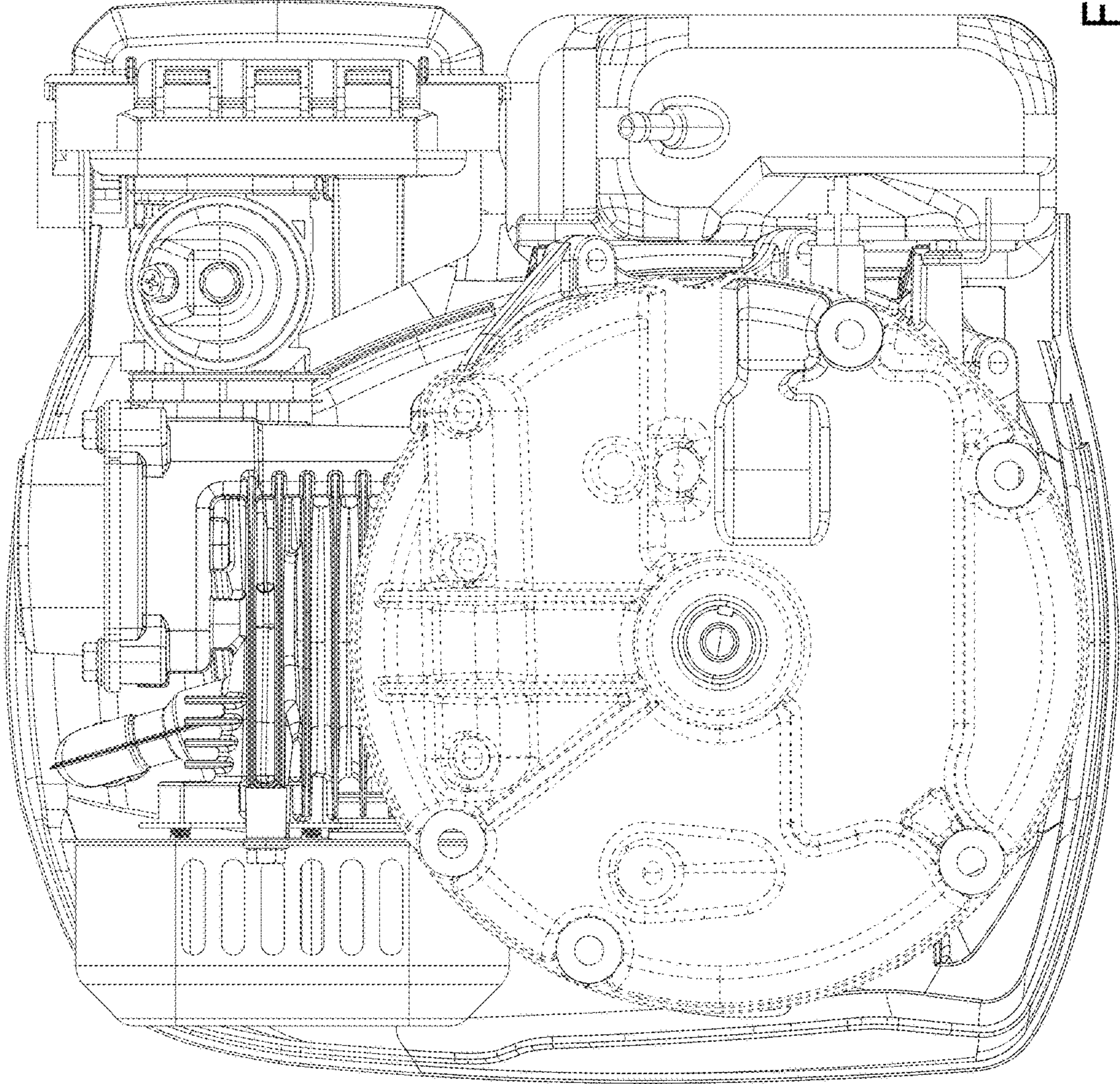


FIG. 7