



US00D865815S

(12) **United States Design Patent**
Kim et al.

(10) **Patent No.:** **US D865,815 S**

(45) **Date of Patent:** **** Nov. 5, 2019**

(54) **MULTIFUNCTION ELECTRONIC ENTERTAINMENT SYSTEM**

(71) Applicant: **LG ELECTRONICS INC.**, Seoul (KR)

(72) Inventors: **Kyungmin Kim**, Seoul (KR); **JunKi Kim**, Seoul (KR)

(73) Assignee: **LG ELECTRONICS INC.**, Seoul (KR)

(**) Term: **15 Years**

(21) Appl. No.: **35/505,440**

(22) Filed: **Feb. 6, 2018**

(80) **Hague Agreement Data**

Int. Filing Date: **Feb. 6, 2018**
Int. Reg. No.: **DM/099735**
Int. Reg. Date: **Feb. 6, 2018**
Int. Reg. Pub. Date: **Aug. 10, 2018**

(30) **Foreign Application Priority Data**

Aug. 7, 2017 (KR) 30-2017-0036454

(51) **LOC (12) Cl.** **14-03**

(52) **U.S. Cl.**
USPC **D14/497**

(58) **Field of Classification Search**
USPC ... D14/496, 497, 498, 135, 160, 168, 203.1, D14/203.3, 507
CPC H04W 88/00; H04W 88/04; H04B 1/38; G10H 1/361; H04R 5/00; H04R 1/02; H04R 1/04; H04R 1/08; H04R 9/06
See application file for complete search history.

(56) **References Cited**

U.S. PATENT DOCUMENTS

D310,220 S * 8/1990 Hirose D14/163
D344,519 S * 2/1994 Kanno D14/163

D524,325 S * 7/2006 Lau D14/168
D583,798 S * 12/2008 Iijima D14/168
D596,196 S * 7/2009 Laituri D14/168
D600,251 S * 9/2009 Poandl D14/168
D615,555 S * 5/2010 Ho D14/203.1
D618,252 S * 6/2010 Bradford D14/203.1
D648,324 S * 11/2011 Medas D14/217
D648,743 S * 11/2011 Chang D14/168
D695,705 S * 12/2013 Shimizu D14/172
D725,152 S * 3/2015 Wong D14/203.3
D730,942 S * 6/2015 Wong D14/203.1
D749,541 S * 2/2016 Wong D14/170
D753,185 S * 4/2016 Ryu D14/496

(Continued)

OTHER PUBLICATIONS

Extract from www.amazon.com: LG RK8 LOUDR Portable Entertainment System. Earliest date Dec. 24, 2018; 2 pages. Found online May 21, 2019 at: <https://www.amazon.com/LG-RK8-Entertainment-Bluetooth-Connectivity/dp/B07C57GX34>.*

Primary Examiner — Robert M. Spear
(74) *Attorney, Agent, or Firm* — Birch, Stewart, Kolasch & Birch, LLP

(57) **CLAIM**

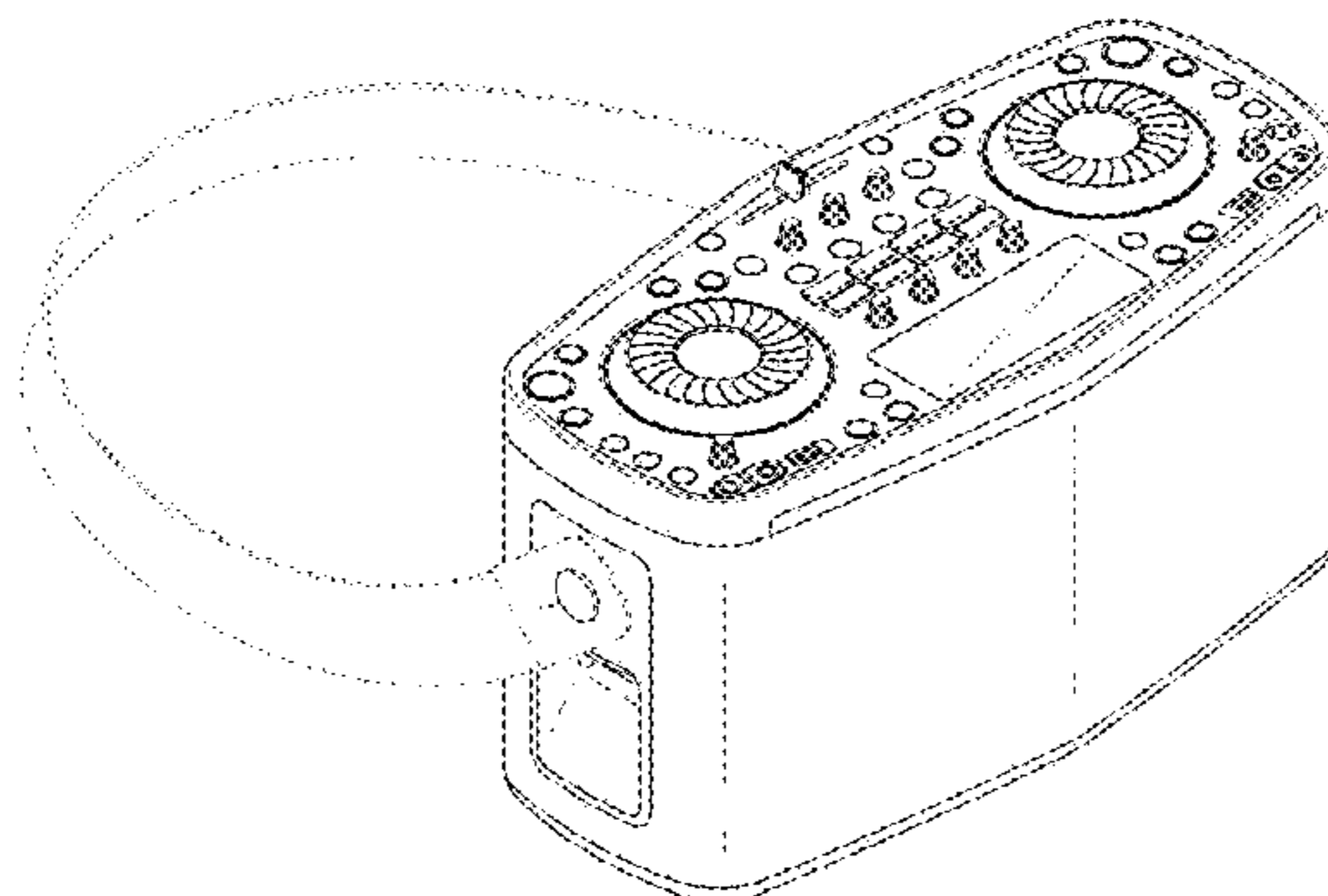
The ornamental design for a multifunction electronic entertainment system, as shown and described.

DESCRIPTION

- 1. Multifunction electronic entertainment system
- 1.1 : Perspective
- 1.2 : Front
- 1.3 : Back
- 1.4 : Left
- 1.5 : Right
- 1.6 : Top
- 1.7 : Bottom

The broken lines indicate portions of the multifunction electronic entertainment system that form no part of the claimed design.

1 Claim, 7 Drawing Sheets



(56)

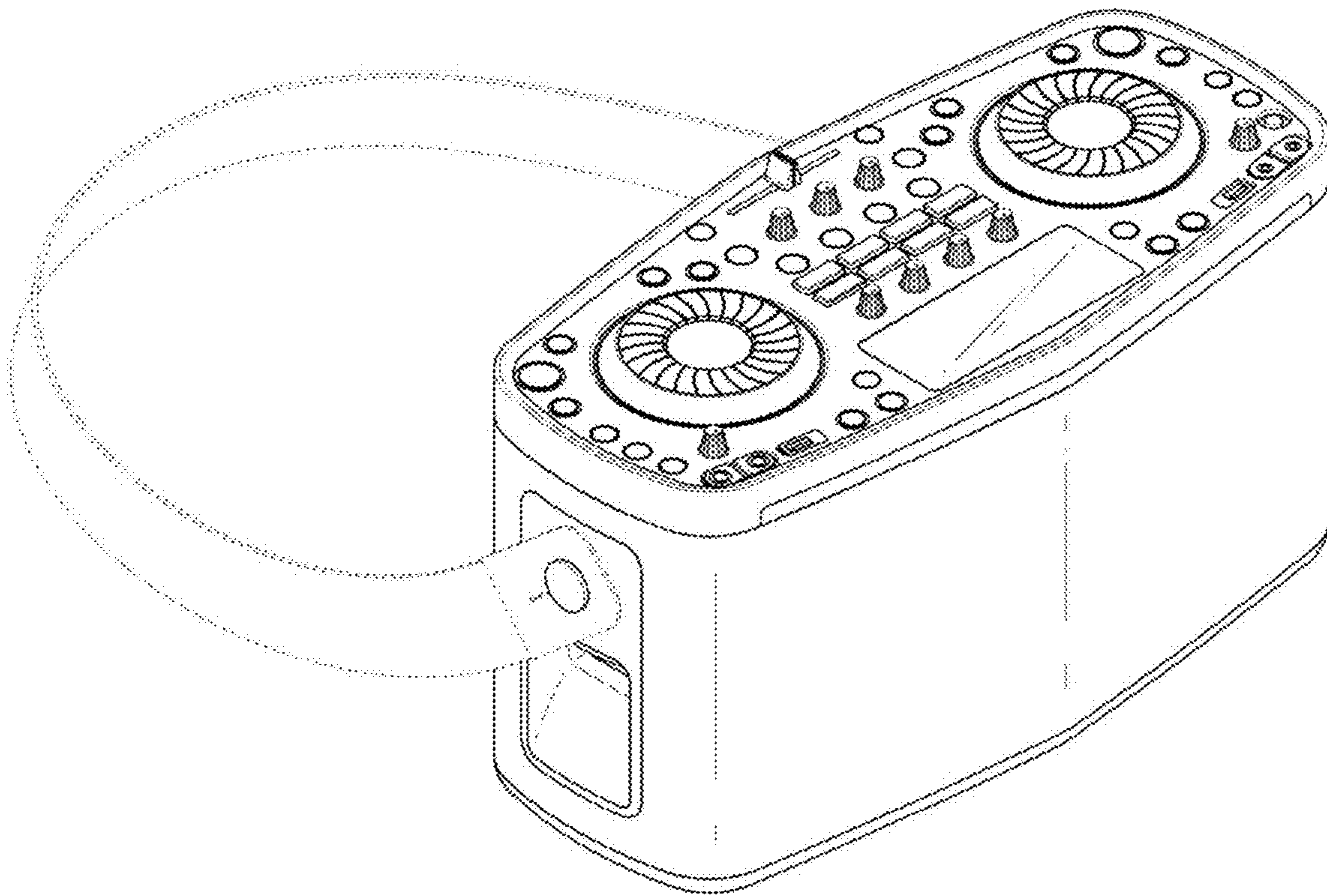
References Cited

U.S. PATENT DOCUMENTS

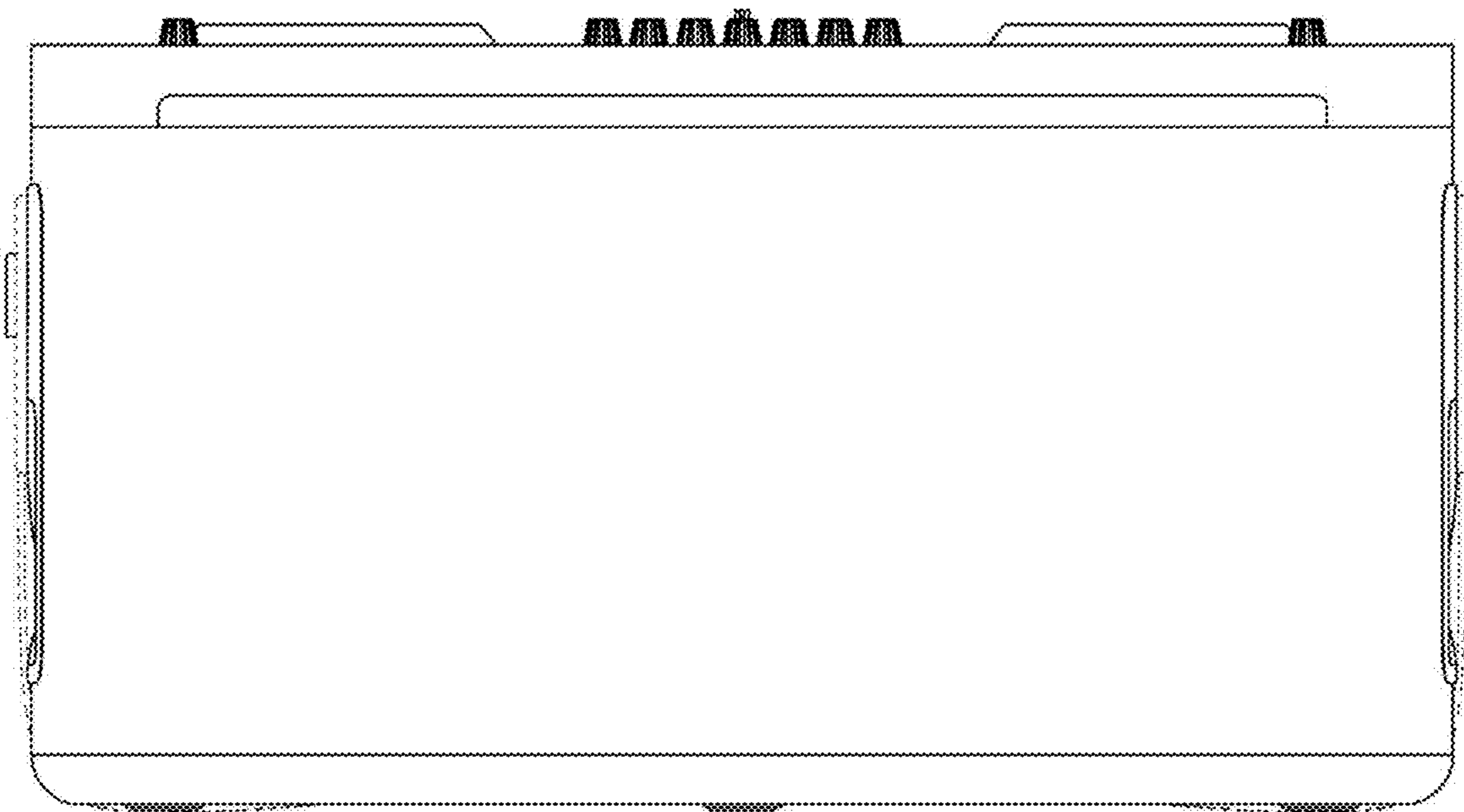
D771,591 S * 11/2016 Carbone D14/203.8
D774,492 S * 12/2016 Jinjin D14/216

* cited by examiner

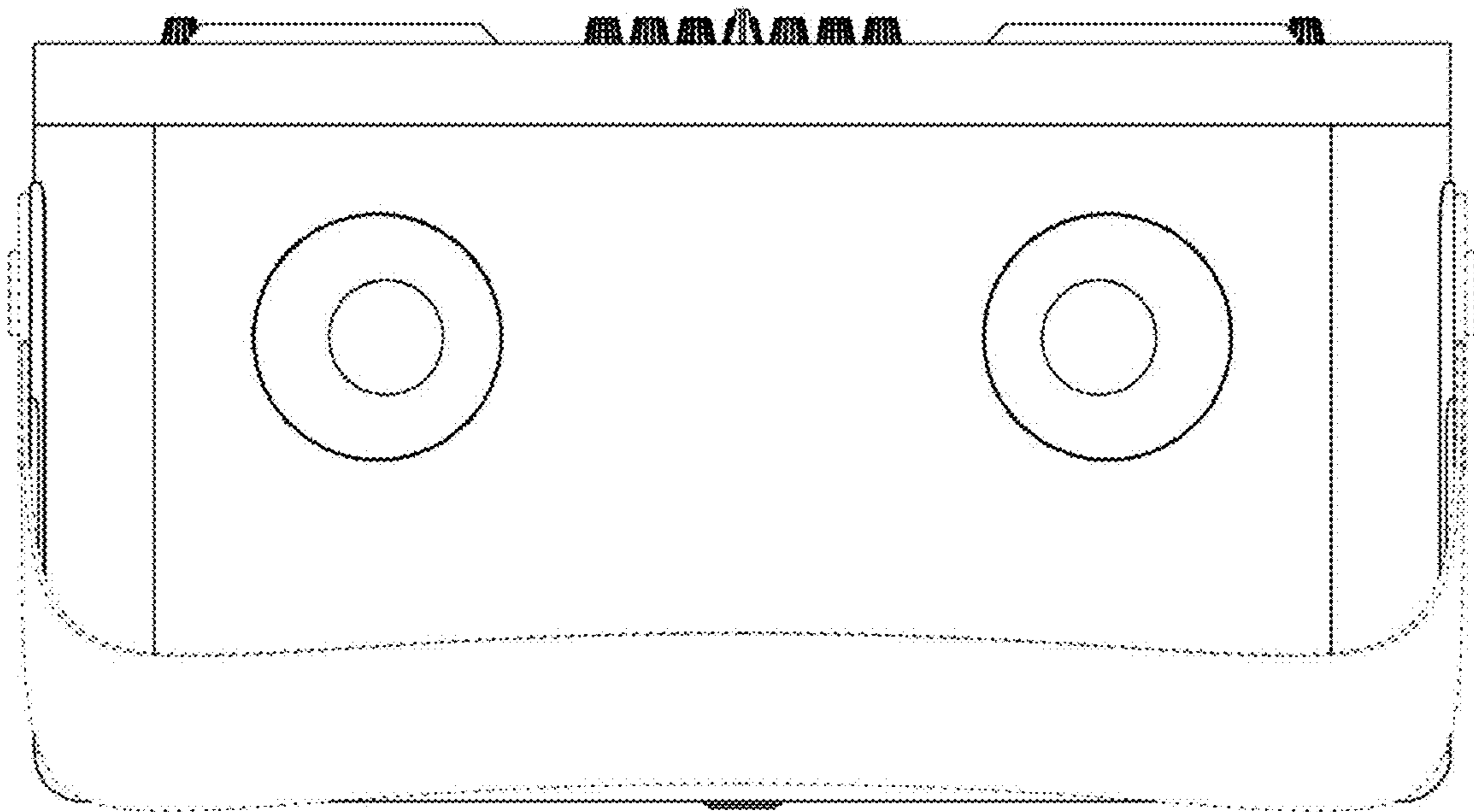
1.1



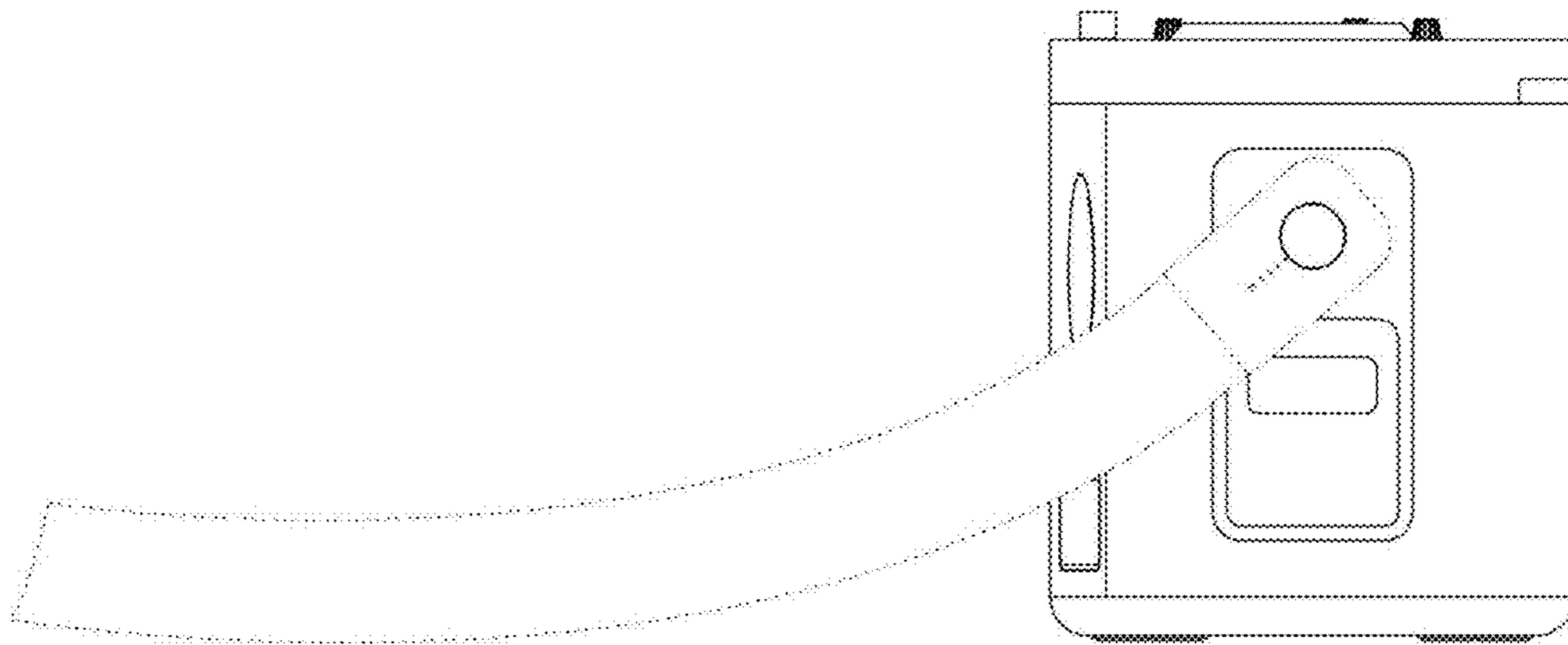
1.2



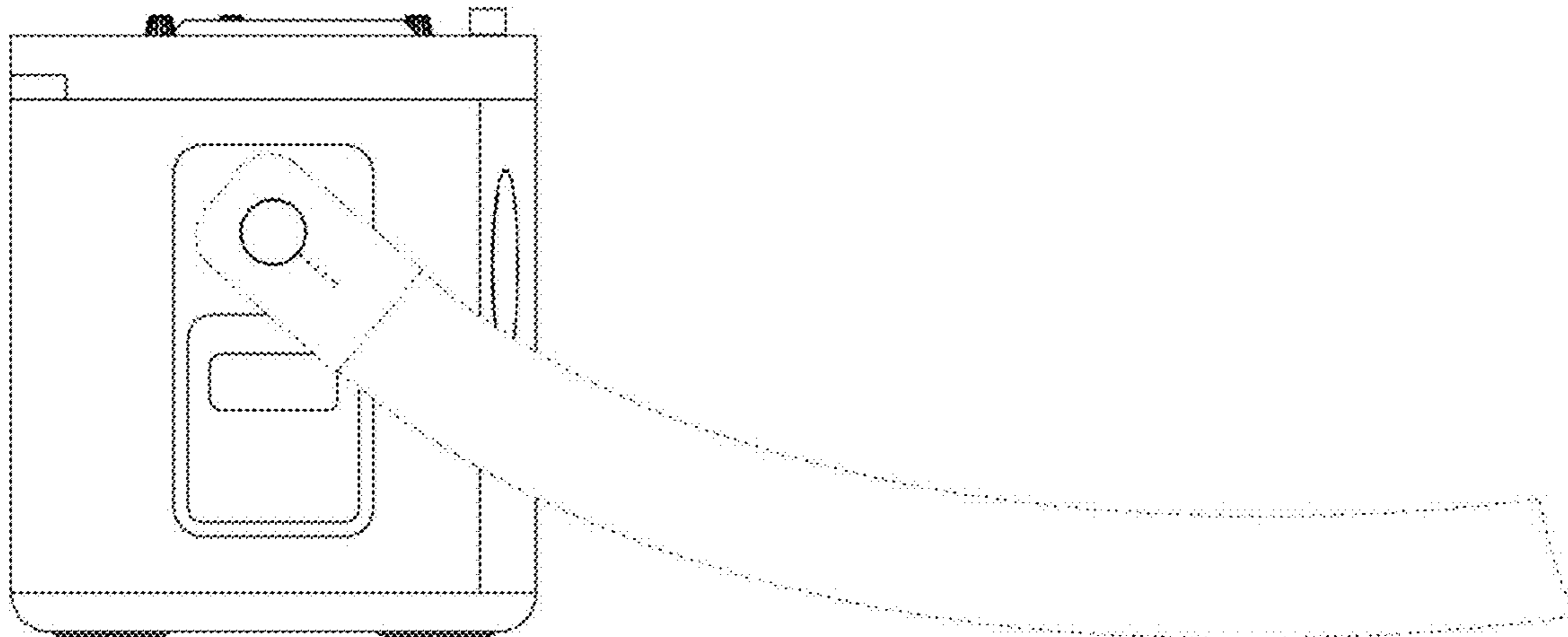
1.3



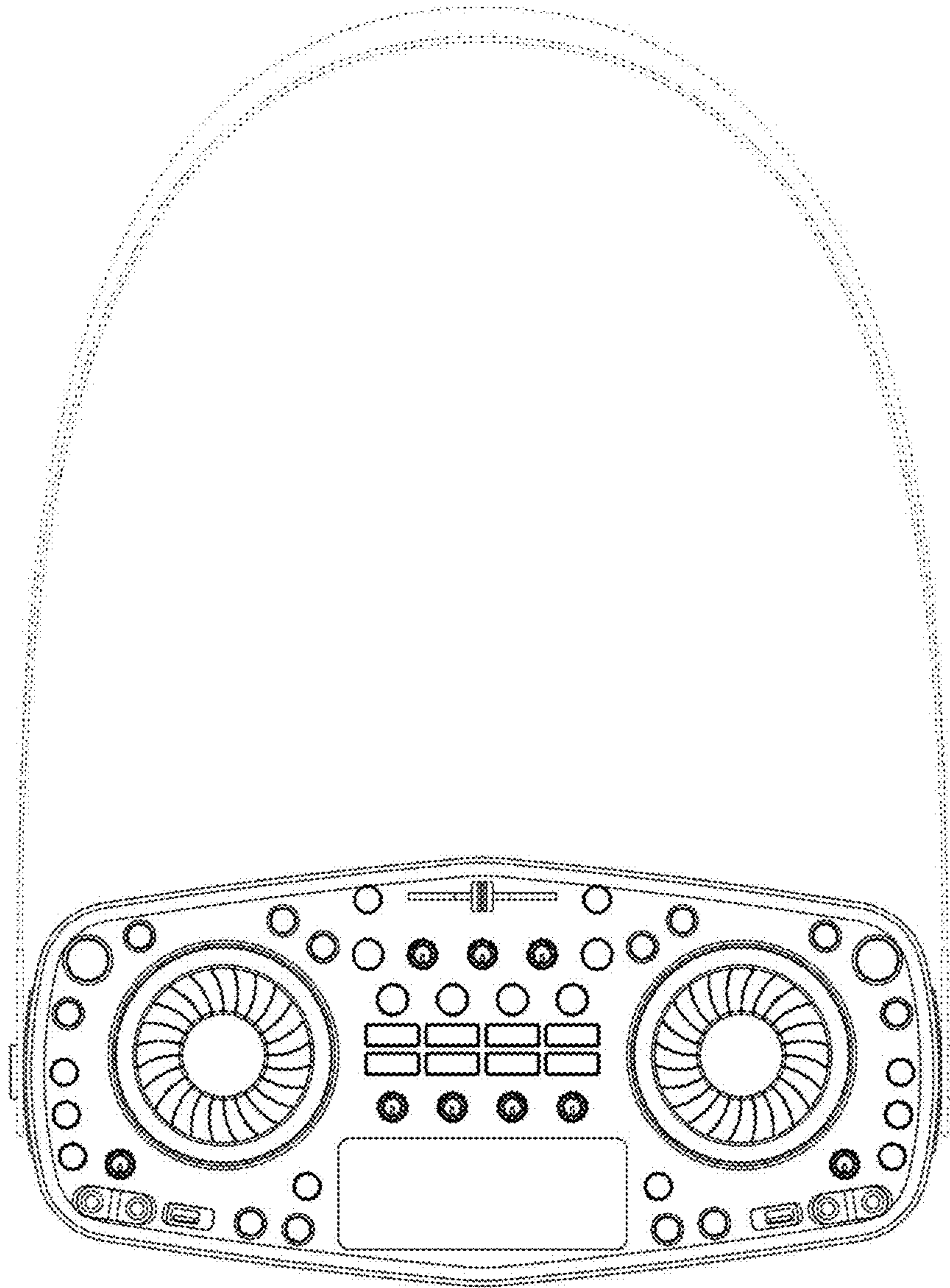
1.4



1.5



1.6



1.7

