



US00D865773S

(12) **United States Design Patent** (10) **Patent No.:** **US D865,773 S**
Oberpriller (45) **Date of Patent:** **** Nov. 5, 2019**

(54) **ELECTRONIC DEVICE WITH ATTACHMENT APPARATUS**

(71) Applicant: **Hand Held Products, Inc.**, Fort Mill, SC (US)

(72) Inventor: **Mark Lee Oberpriller**, Atlanta, GA (US)

(73) Assignee: **Hand Held Products, Inc.**, Fort Mills, SC (US)

(**) Term: **15 Years**

(21) Appl. No.: **29/602,189**

(22) Filed: **Apr. 28, 2017**

(51) **LOC (12) Cl.** **14-02**

(52) **U.S. Cl.**
USPC **D14/453; D14/427**

(58) **Field of Classification Search**
USPC D14/420, 426-430, 453, 346, 341, 347, D14/412, 498, 507, 371, 344, 125-129,
(Continued)

(56) **References Cited**

U.S. PATENT DOCUMENTS

D15,984 S * 3/1885 Bunker D8/354
855,016 A * 5/1907 Orthwein A63B 53/14
473/206

(Continued)

FOREIGN PATENT DOCUMENTS

CN 102641023 A 8/2012
CN 303119529 S 3/2015

(Continued)

OTHER PUBLICATIONS

International Search Report and Written Opinion for related application No. PCT/CN2017/082716, dated Jan. 26, 2018, 11 pages.
(Continued)

Primary Examiner — Susan Moon Lee
(74) *Attorney, Agent, or Firm* — Additon, Higgins & Pendleton, P.A.

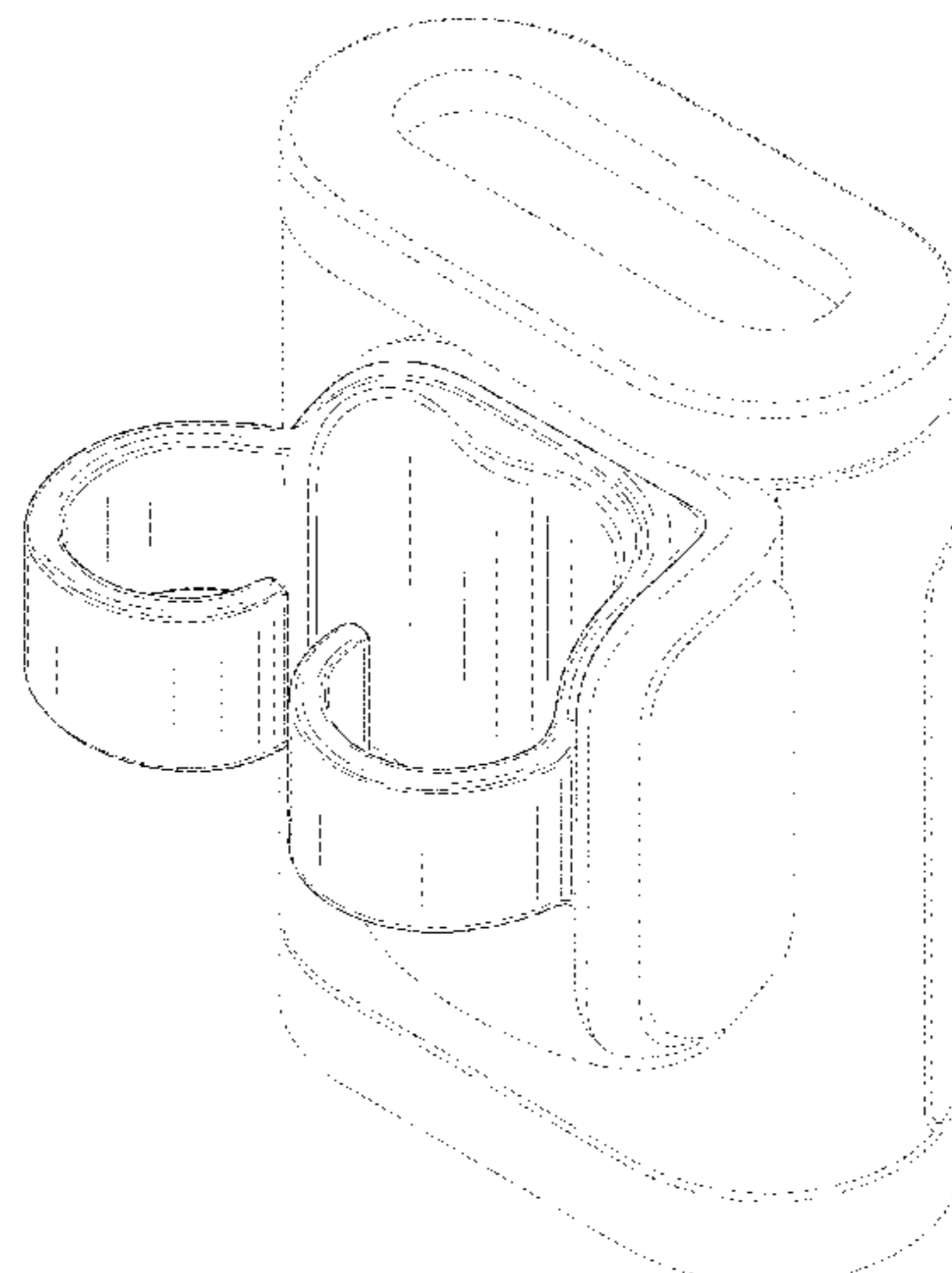
(57) **CLAIM**

The ornamental design for an electronic device with attachment apparatus, as shown in the accompanying drawings and described above.

DESCRIPTION

FIG. 1 is a front, bottom, right perspective view of an electronic device with attachment apparatus in accordance with a first embodiment of the present invention;
FIG. 2 is a rear, bottom, left perspective view of the device of FIG. 1;
FIG. 3 is a bottom plan view of the device of FIG. 1;
FIG. 4 is a top plan view of the device of FIG. 1;
FIG. 5 is a right elevation view of the device of FIG. 1;
FIG. 6 is a left elevation view of the device of FIG. 1;
FIG. 7 is a front elevation view of the device of FIG. 1;
FIG. 8 is a rear elevation view of the device of FIG. 1;
FIG. 9 is a front, bottom, right perspective view of an electronic device with attachment apparatus in accordance with a second embodiment of the present invention;
FIG. 10 is a rear, bottom, left perspective view of the device of FIG. 9;
FIG. 11 is a bottom plan view of the device of FIG. 9;
FIG. 12 is a top plan view of the device of FIG. 9;
FIG. 13 is a right elevation view of the device of FIG. 9;
FIG. 14 is a left elevation view of the device of FIG. 9;
FIG. 15 is a front elevation view of the device of FIG. 9; and,
FIG. 16 is a rear elevation view of the device of FIG. 9.
The broken lines shown herein are for illustrative purposes and form no part of the claimed design.

1 Claim, 16 Drawing Sheets



(58) **Field of Classification Search**

USPC D14/138 R-138 G, 496, 510; D13/107, D13/184; 358/473; 235/462.43, 462.44, 235/462.45, 462.47, 462.48, 462.46, 487, 235/472.01, 472.02, 440, 486, 462.01, 235/462.15, 462.21, 412, 462.11, 462.49, 235/385, 454, 435, 439-441, 375, 444, 235/456, 459, 462.14, 462.17, 462.2, 490, 235/494, 476, 462.22, 462.32, 462.35; 16/110.1, 430, 431; 439/133, 135; 709/219, 201; 710/73; 320/114, 115, 320/123; 361/679, 679.03; 382/313, 382/321, 318; 455/575.1, 561, 572, 455/575.6; 705/17, 14.64, 14.65, 21; 341/20; 362/103, 157, 158, 171-174, 362/183-208; 250/370.8, 370.1, 215, 250/216, 566; 348/E5.137, E5.143, 348/E9.026; 345/179, 156; 463/36; 14/2; 73/702; 600/300, 485; D3/218; 224/267, 575, 269, 271, 272; 340/5.92; D24/186, 158; D10/65, 57, 81, 78, 98, D10/70; D26/37-50, 24; 396/427; D8/1, 394-396; D11/26, 27, 88, 41
 CPC G06K 7/10702; G06K 7/10; G06K 7/04; G06K 7/1404; G06K 7/1447; G06K 7/10396; G06K 7/0004; G06K 7/0017; G06K 7/002; G06K 7/10881; G06K 7/10386; G06K 7/10009; G06K 7/01; G06K 7/10891; G06K 7/10544-1099; G06K 2007/10524; G06K 2007/10534; G06F 1/163; G06F 1/1633; G06F 1/1654; G06F 1/1698; G06F 1/1684; G06F 2203/0331; G06Q 20/204; G06Q 20/208; G06Q 20/30; G06Q 20/322; G06Q 20/203; G06Q 20/343; A45F 5/00; A45F 2005/002; A45F 2005/008; A45F 2200/0516; A45F 2200/0525; A45F 2200/0533; A45F 2200/0508; H04N 5/74; H04N 9/3129; H04N 9/3141; H01H 2009/0221; A47F 9/046; A47F 9/047; G07G 1/0045; G04N 5/23238; G04N 5/2252; G04N 5/2251; G03B 17/02; B25H 5/00; B66F 7/28; G02B 26/10; G02B 26/106; G07F 11/002; G07F 11/02; A44C 5/0084

See application file for complete search history.

(56) **References Cited**

U.S. PATENT DOCUMENTS

892,812 A 7/1908 Day
 1,601,560 A * 9/1926 Amory B26B 27/007
 30/232
 1,724,129 A * 8/1929 Cramer A44C 9/0076
 224/217
 2,539,940 A 1/1951 Abramson
 3,894,706 A * 7/1975 Mizusawa F16L 3/1025
 248/68.1
 3,993,230 A 11/1976 Oakes
 4,106,310 A * 8/1978 Abramowitz A44C 7/00
 24/108
 4,224,721 A * 9/1980 Ohlson F16B 7/0433
 24/376
 4,244,544 A * 1/1981 Kornat F16L 3/13
 248/68.1
 D265,811 S * 8/1982 Barr D11/226

4,382,317 A * 5/1983 McDonald A44C 7/003
 24/705
 4,653,716 A * 3/1987 Sakaguchi F16L 3/1203
 248/316.5
 D296,074 S * 6/1988 Seyfarth D8/354
 4,766,299 A * 8/1988 Tierney G06K 7/10891
 235/462.21
 D305,214 S * 12/1989 Campbell D11/26
 5,058,885 A * 10/1991 Brant A63B 21/0603
 473/596
 5,191,197 A * 3/1993 Metlitsky G06K 7/10564
 235/462.44
 D335,662 S * 5/1993 Shepard D14/427
 5,272,324 A * 12/1993 Blevins G06K 7/10881
 235/385
 5,340,972 A * 8/1994 Sandor G06K 7/10564
 235/462.44
 5,410,140 A * 4/1995 Bard G06F 1/163
 235/462.33
 D375,890 S * 11/1996 Takai D8/380
 D376,309 S * 12/1996 Takai D8/356
 5,602,376 A * 2/1997 Coleman G06K 7/10594
 235/462.35
 5,610,386 A * 3/1997 Ball G06K 7/10891
 235/412
 5,610,387 A * 3/1997 Bard G04B 47/00
 235/462.44
 5,688,428 A * 11/1997 Maguire E04G 21/185
 249/219.1
 D387,652 S * 12/1997 Carlson, Jr. D8/356
 D391,250 S * 2/1998 Swift D14/427
 5,742,043 A * 4/1998 Knowles G06K 7/10
 235/462.3
 5,752,297 A * 5/1998 Ramey E04H 15/644
 24/460
 5,808,289 A * 9/1998 Becker G06K 7/10891
 235/462.01
 5,837,990 A * 11/1998 Shepard G06K 7/10891
 235/383
 D406,749 S * 3/1999 Selk D8/356
 D407,295 S * 3/1999 Belokin D8/349
 5,875,945 A * 3/1999 Roach F41H 9/10
 222/183
 5,986,446 A * 11/1999 Williamson G01R 1/06788
 324/149
 D440,005 S * 4/2001 Blanton 24/16 R
 D457,503 S * 5/2002 Butler, Jr. D14/126
 6,405,414 B1 * 6/2002 Byrnes A61M 25/00
 24/339
 D462,688 S 9/2002 Schieffers et al.
 6,607,134 B1 * 8/2003 Bard G04B 47/00
 235/462.44
 6,634,558 B1 * 10/2003 Patel G06K 7/10891
 235/462.01
 6,853,293 B2 * 2/2005 Swartz G06F 1/163
 235/462.15
 D522,352 S * 6/2006 Van Straaten D8/395
 7,135,011 B2 11/2006 Powers et al.
 7,140,546 B1 * 11/2006 Terlizzi G06K 7/10881
 235/472.01
 7,286,803 B2 10/2007 Hamasaki et al.
 7,316,332 B2 1/2008 Powers et al.
 D574,746 S * 8/2008 Nolan D11/41
 D581,255 S * 11/2008 Calvin D8/356
 D592,092 S * 5/2009 Flynn D11/26
 7,534,206 B1 * 5/2009 Lovitt A61B 5/02438
 600/300
 D597,403 S * 8/2009 Ho D8/356
 D600,586 S * 9/2009 Nolan D11/41
 D631,740 S * 2/2011 Wood D8/396
 7,959,084 B2 * 6/2011 Wulff G06K 17/0022
 235/472.02
 D647,788 S * 11/2011 Weaver D8/396
 D654,597 S * 2/2012 Hiramura D24/186
 D663,735 S * 7/2012 Musselman D14/253
 8,260,384 B2 9/2012 Wulff et al.
 D673,954 S 1/2013 Li et al.

(56)

References Cited

U.S. PATENT DOCUMENTS

D675,856 S * 2/2013 Yiannaki D6/606
 D686,103 S * 7/2013 Mitsui D11/26
 D686,104 S * 7/2013 Mitsui D11/26
 D689,862 S * 9/2013 Liu D14/402
 8,534,514 B2 9/2013 Zhu et al.
 D704,769 S * 5/2014 Penington D19/81
 8,950,638 B2 2/2015 Wangercyn, Jr. et al.
 D740,827 S * 10/2015 Sun D14/427
 D741,701 S * 10/2015 McNeil D8/356
 D756,360 S * 5/2016 Zhu D14/402
 D766,886 S * 9/2016 Lee D14/253
 D777,025 S * 1/2017 Turksu D14/218
 9,585,455 B2 * 3/2017 Boyle A45D 29/00
 D791,558 S * 7/2017 Carpio D8/1
 9,743,731 B2 * 8/2017 Oberpriller A45F 5/021
 D808,391 S * 1/2018 Schooneveldt D14/426
 D813,660 S * 3/2018 Tyner D8/396
 D832,844 S * 11/2018 Lim D14/427
 D833,438 S * 11/2018 Lim D14/427
 D840,377 S * 2/2019 Jin D14/217
 2002/0130237 A1 * 9/2002 Kluser F16B 5/0685
 248/316.1
 2002/0185542 A1 * 12/2002 Wilz, Sr. G06K 7/10693
 235/462.46
 2004/0111071 A1 6/2004 Powers et al.
 2004/0162534 A1 8/2004 Powers et al.
 2004/0222301 A1 * 11/2004 Willins G02B 26/105
 235/472.01
 2005/0124945 A1 6/2005 Powers et al.
 2005/0234351 A1 * 10/2005 Nishii A61B 5/02
 600/503
 2006/0108425 A1 * 5/2006 Wiklof G06K 7/10891
 235/462.44
 2006/0289771 A1 * 12/2006 White G06K 7/10891
 250/370.1
 2007/0017997 A1 1/2007 Talley et al.
 2007/0088298 A1 4/2007 Powers et al.
 2007/0171090 A1 7/2007 Newman et al.
 2008/0054039 A1 * 3/2008 Wulff A45F 5/00
 224/575
 2008/0067193 A1 3/2008 Powers et al.

2008/0078837 A1 * 4/2008 Morris G06K 7/10881
 235/462.44
 2008/0078838 A1 4/2008 Morris et al.
 2008/0118304 A1 * 5/2008 Carraher B25H 3/04
 403/396
 2008/0129532 A1 * 6/2008 Bellows G06K 7/0004
 340/4.31
 2008/0197195 A1 * 8/2008 Miller G06K 7/0004
 235/440
 2009/0032560 A1 * 2/2009 Strandberg A45F 5/00
 224/267
 2009/0272811 A1 * 11/2009 An G06K 7/10891
 235/462.44
 2010/0176166 A1 * 7/2010 Siagri A44C 5/0007
 224/271
 2011/0175705 A1 * 7/2011 Bellows G06K 7/10386
 340/10.1
 2014/0214631 A1 * 7/2014 Hansen G06Q 10/087
 705/28
 2014/0267116 A1 9/2014 Weiner
 2015/0278570 A1 * 10/2015 Van Horn H01Q 1/2283
 235/472.01
 2016/0063293 A1 * 3/2016 Sun G06K 7/10891
 235/462.44
 2016/0180132 A1 * 6/2016 Lim G06K 7/10544
 235/462.45
 2016/0227912 A1 8/2016 Oberpriller et al.
 2016/0267310 A1 9/2016 Alnasser et al.
 2018/0167549 A1 * 6/2018 Lim H04N 5/2252
 2018/0225489 A1 * 8/2018 Liou G06K 7/10544

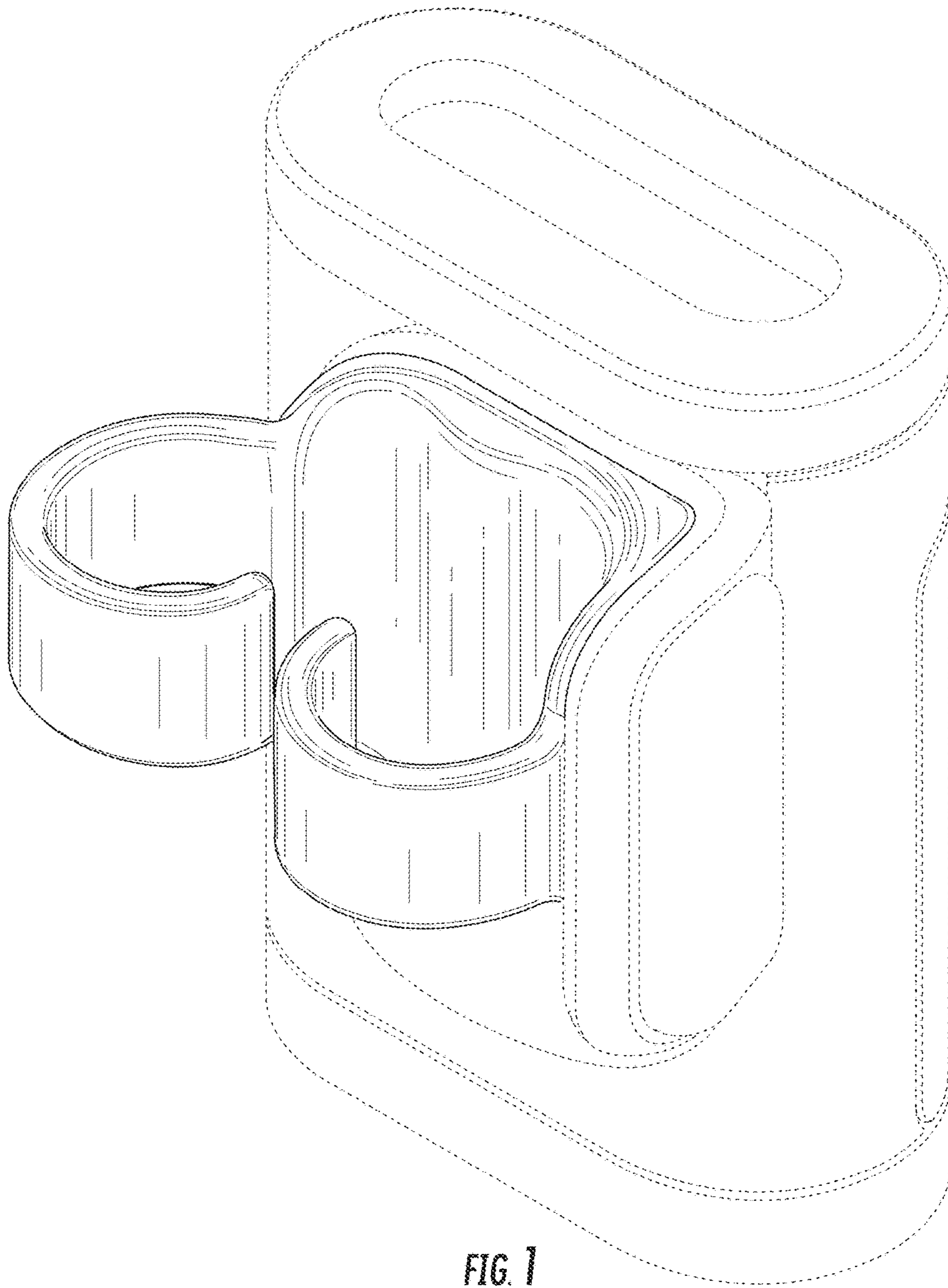
FOREIGN PATENT DOCUMENTS

CN 105466564 A 4/2016
 WO 2004052425 A2 6/2004

OTHER PUBLICATIONS

Technology Solutions; "1062 Bluetooth ® HF RFID & Barcode Hand Scanner" Copyright 2015, 1 page [download available from <https://www.tsl.com/products/1062-bluetooth-hf-rfid-barcode-hand-scanner/>].

* cited by examiner



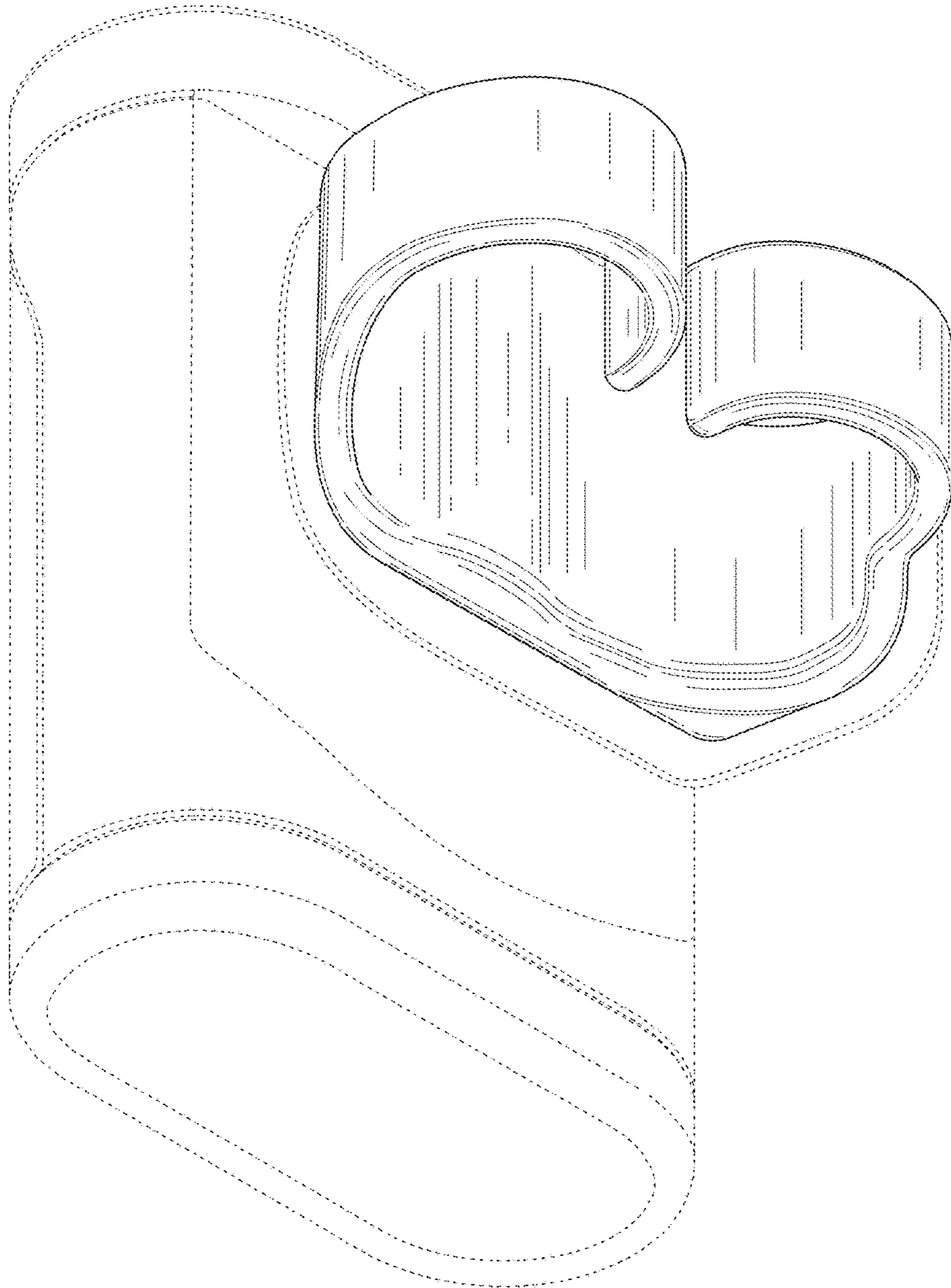


FIG. 2

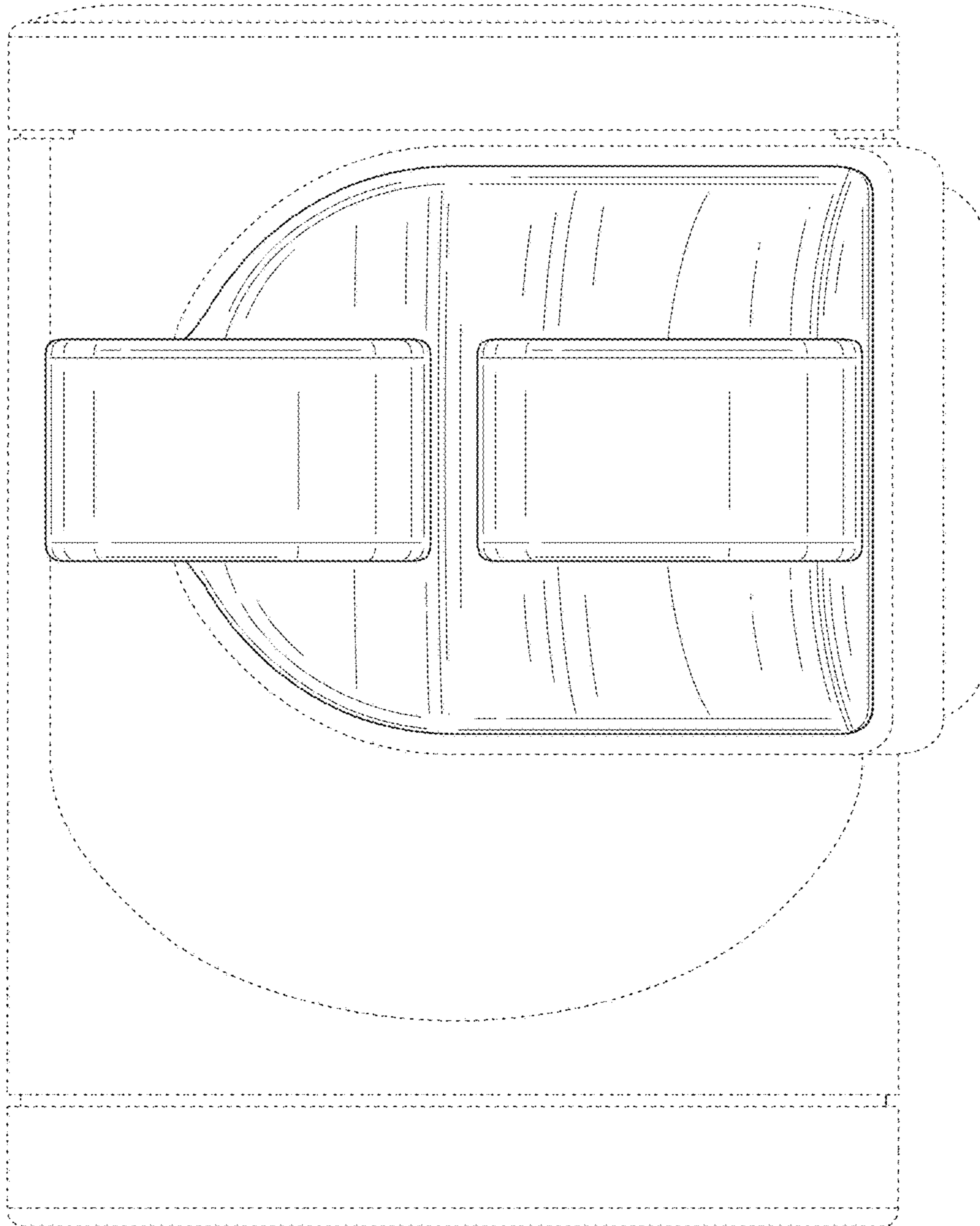


FIG. 3

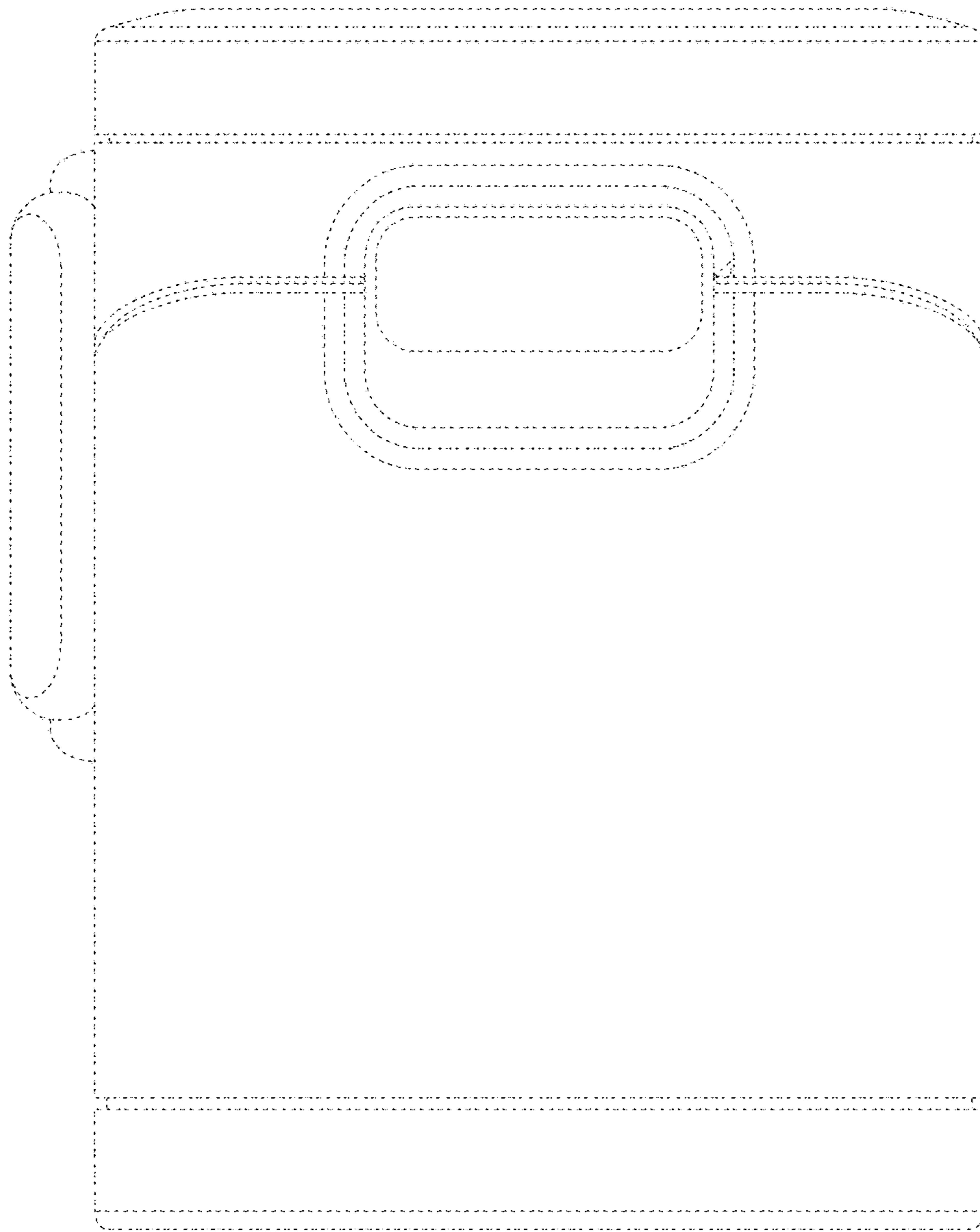


FIG. 4

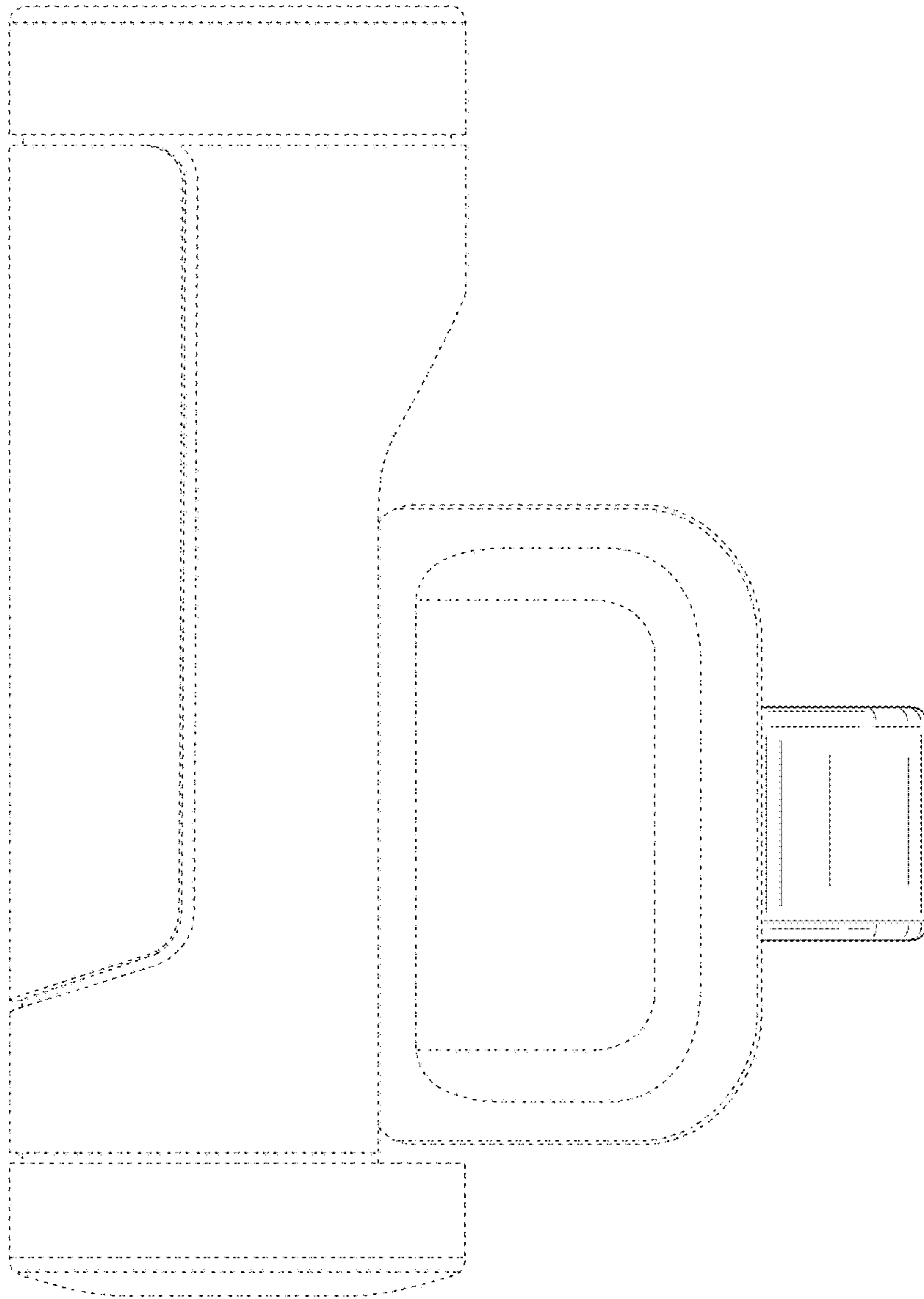


FIG. 5

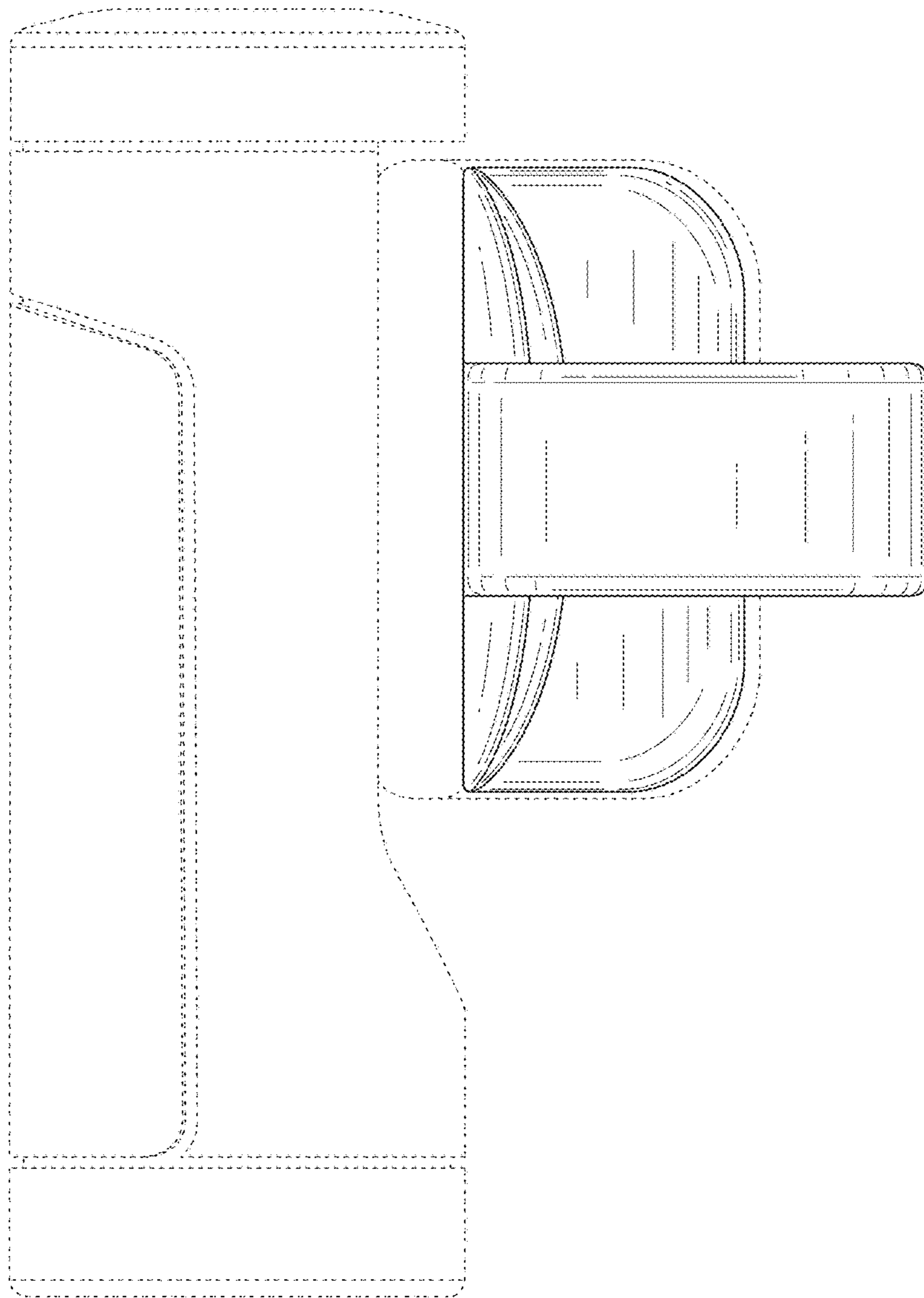


FIG. 6

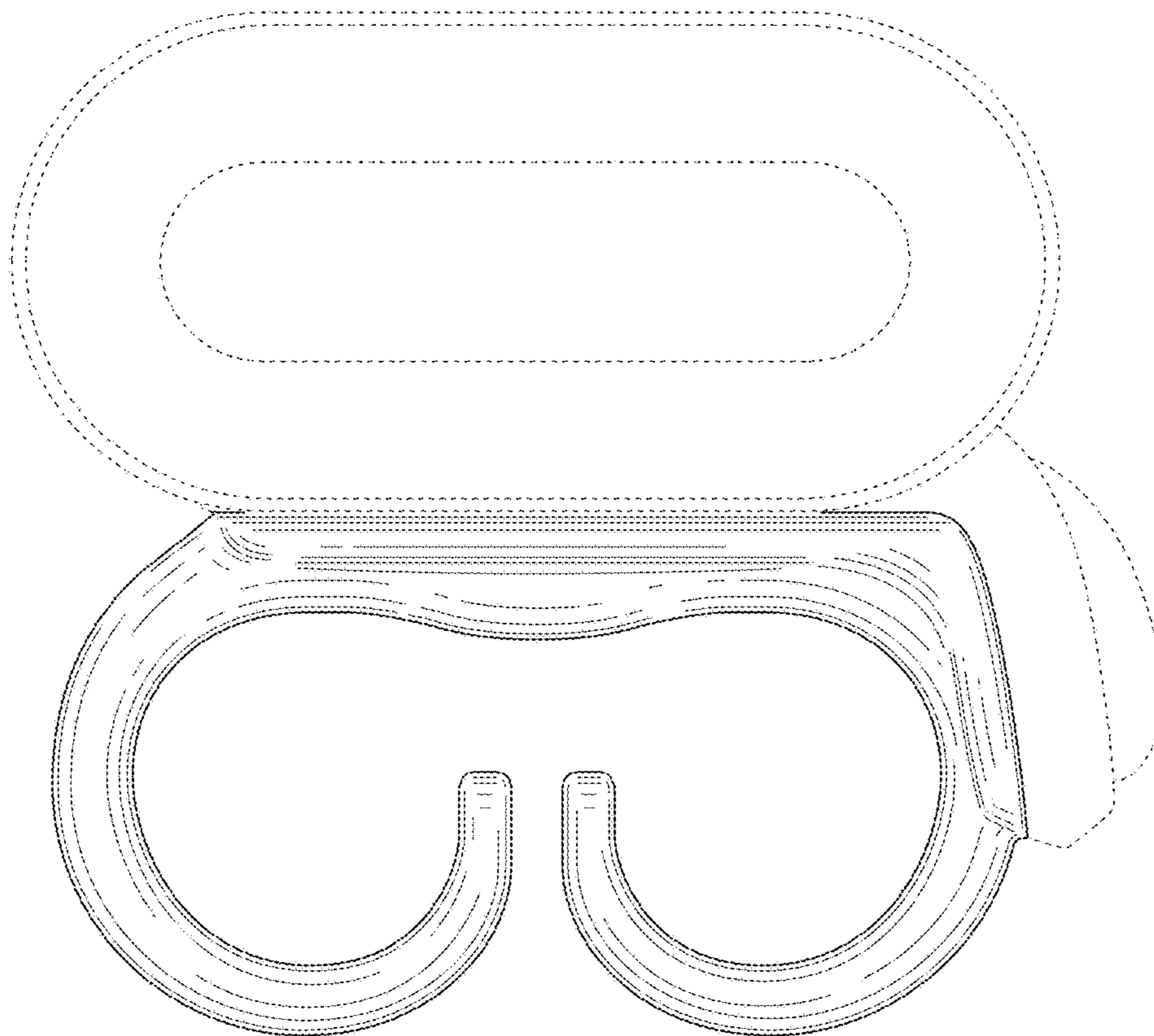


FIG. 7

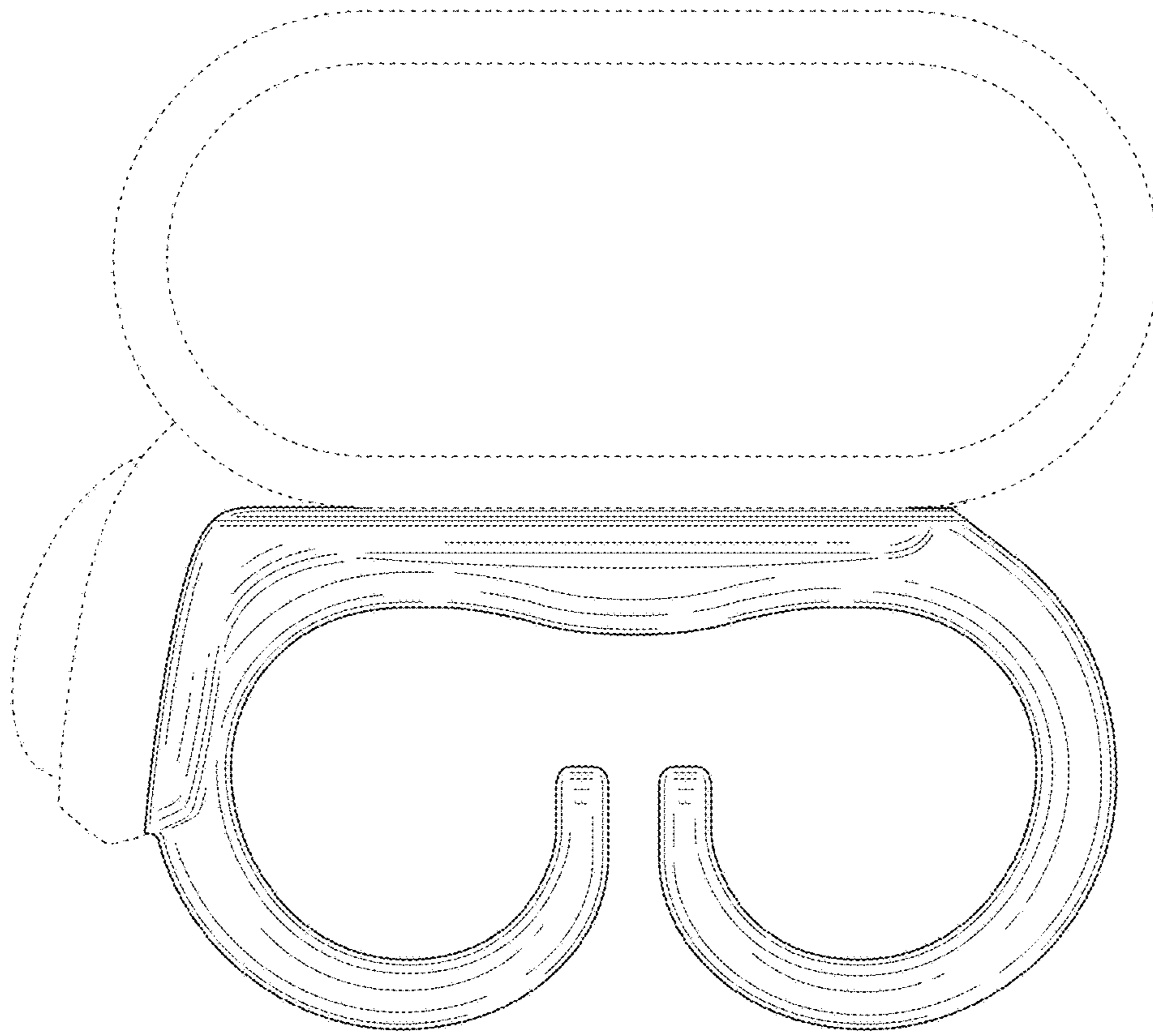


FIG. 8

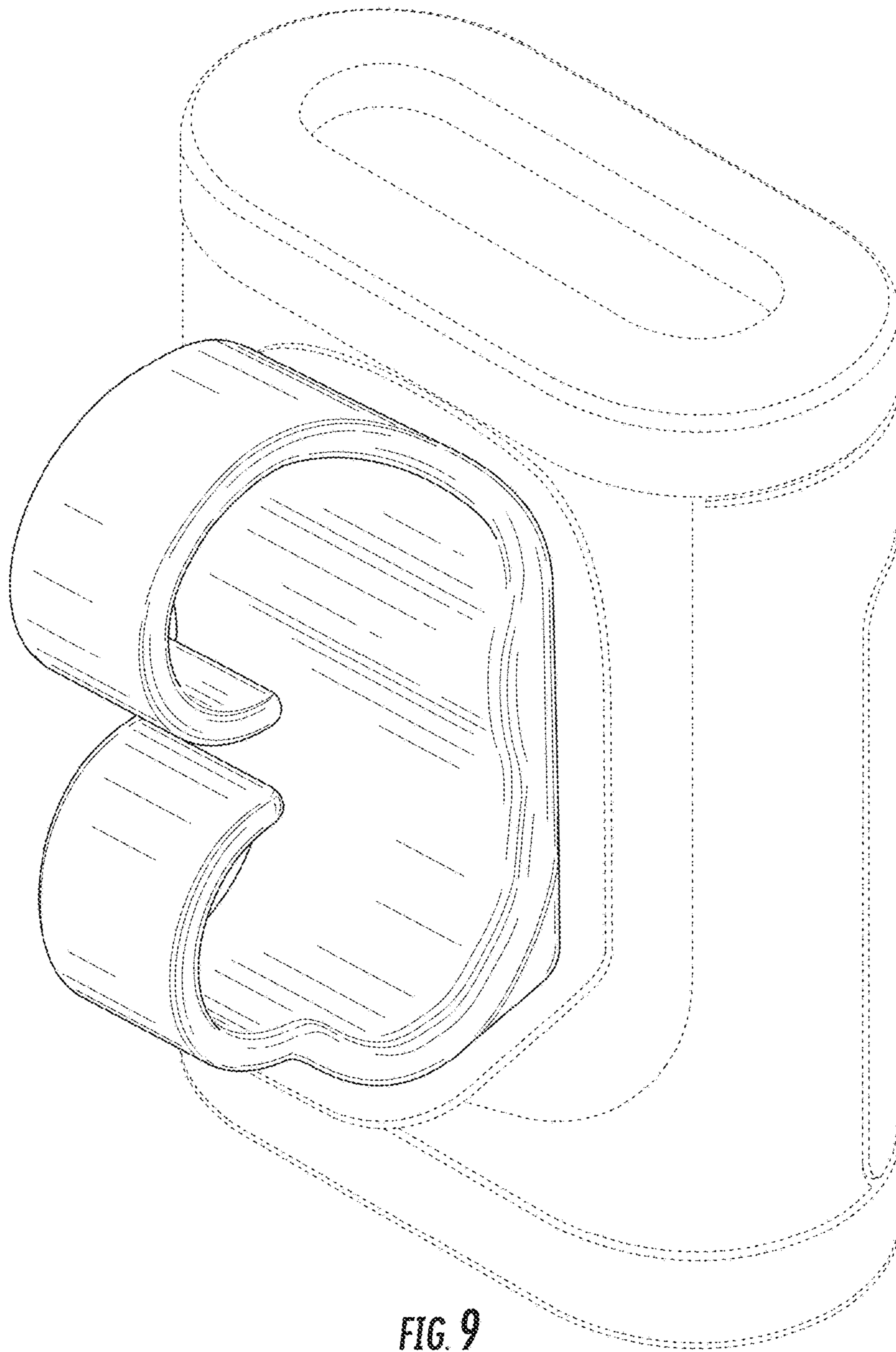


FIG. 9

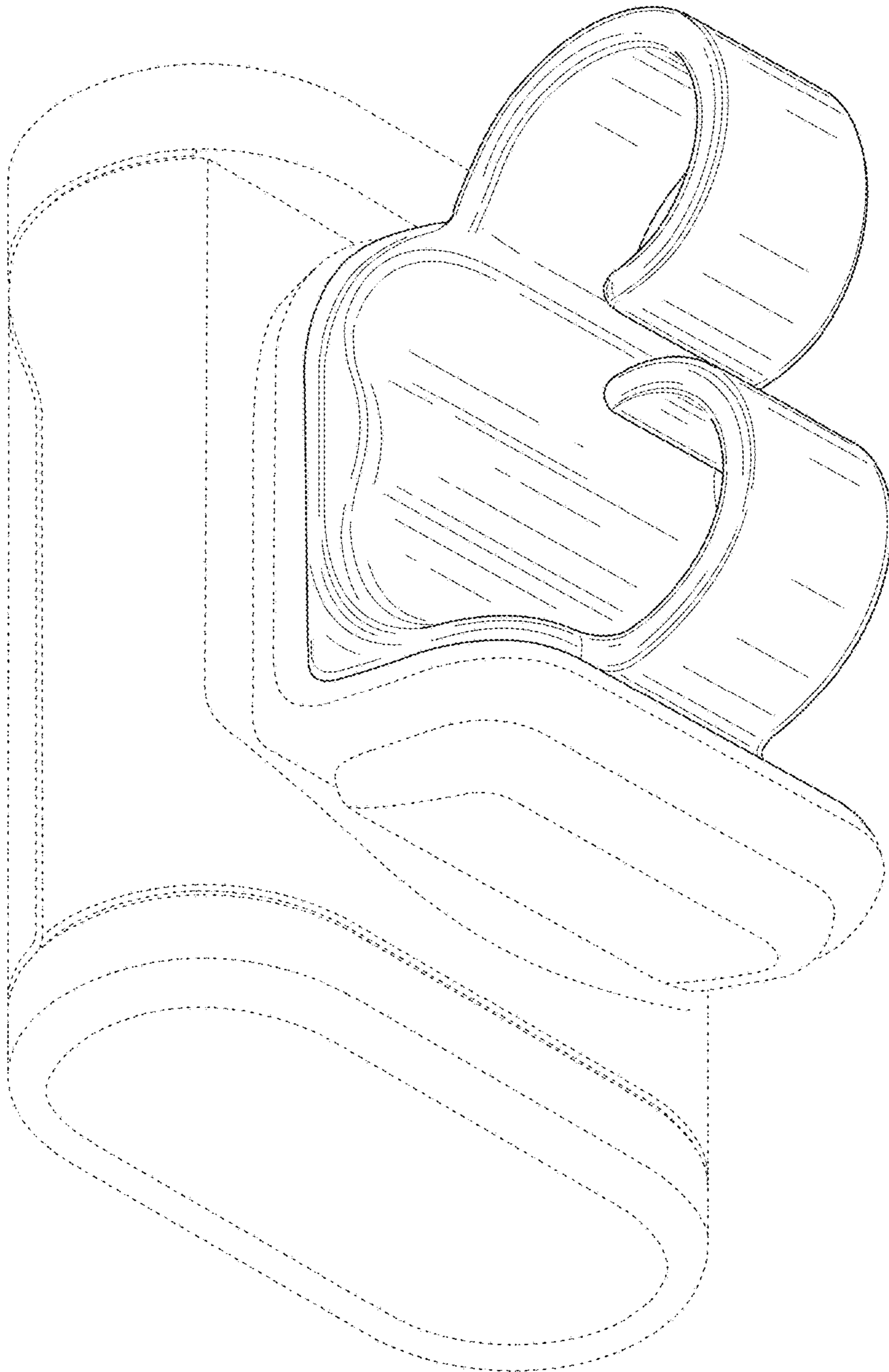


FIG. 10

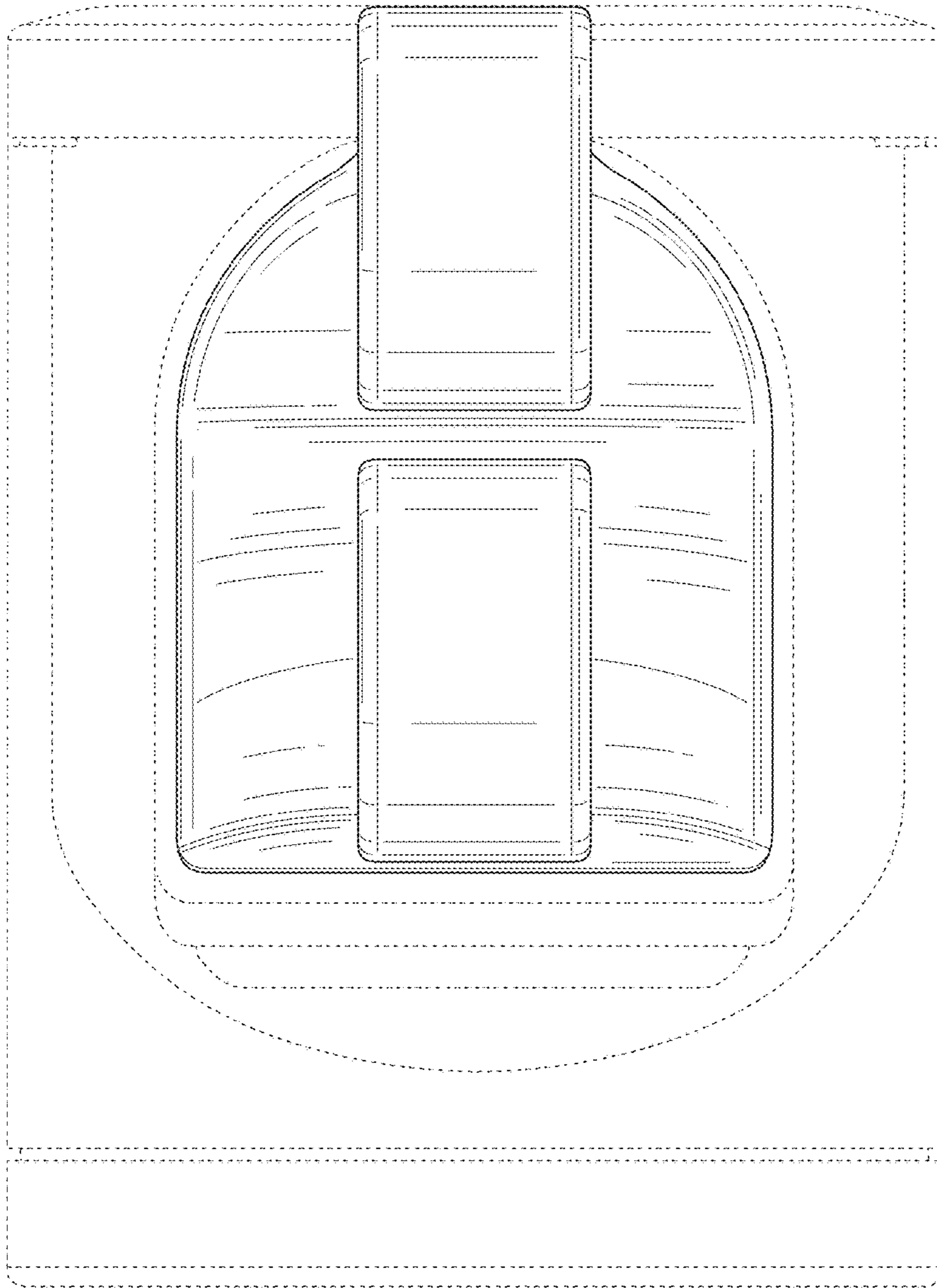


FIG. 11

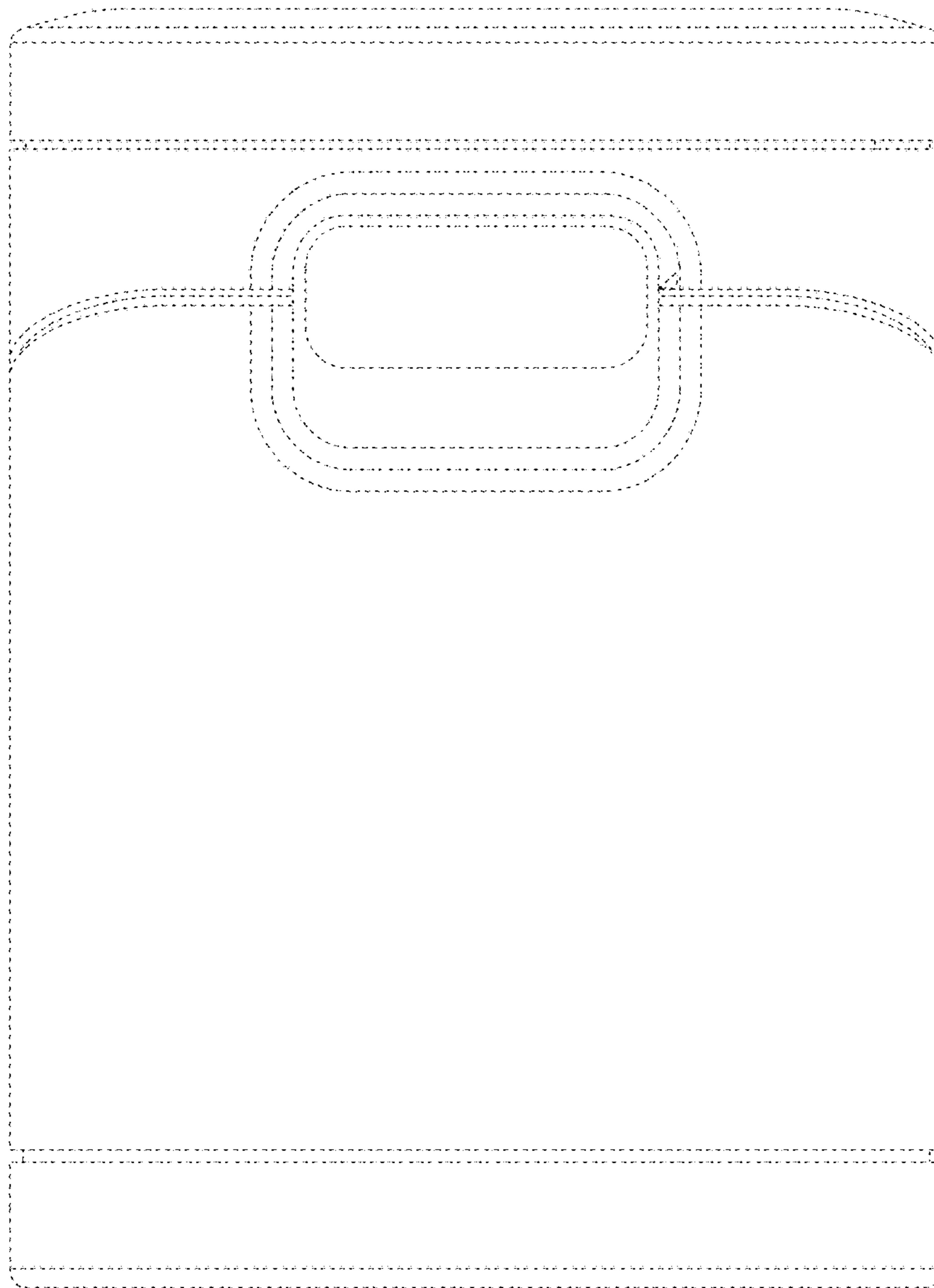


FIG. 12

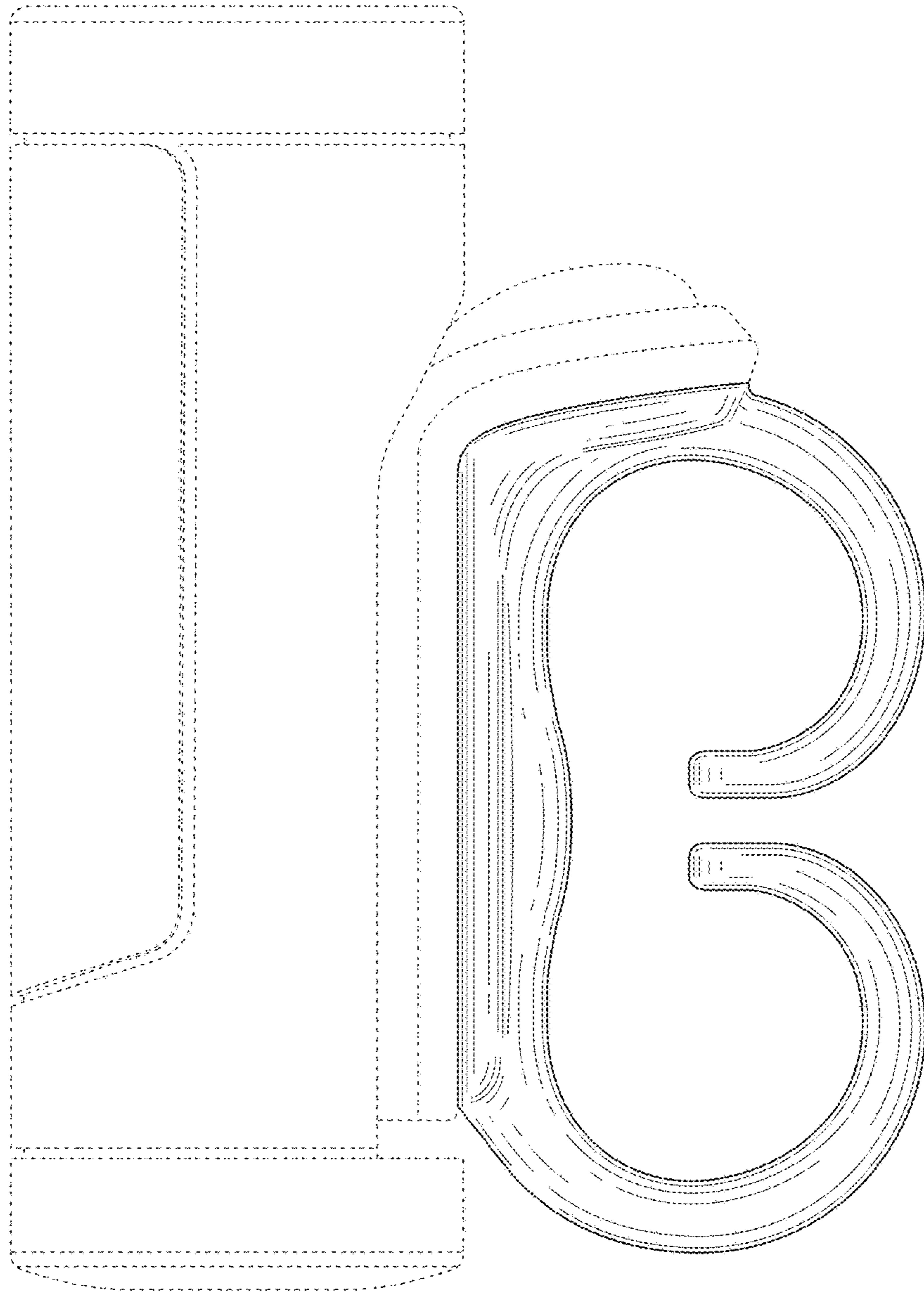


FIG. 13

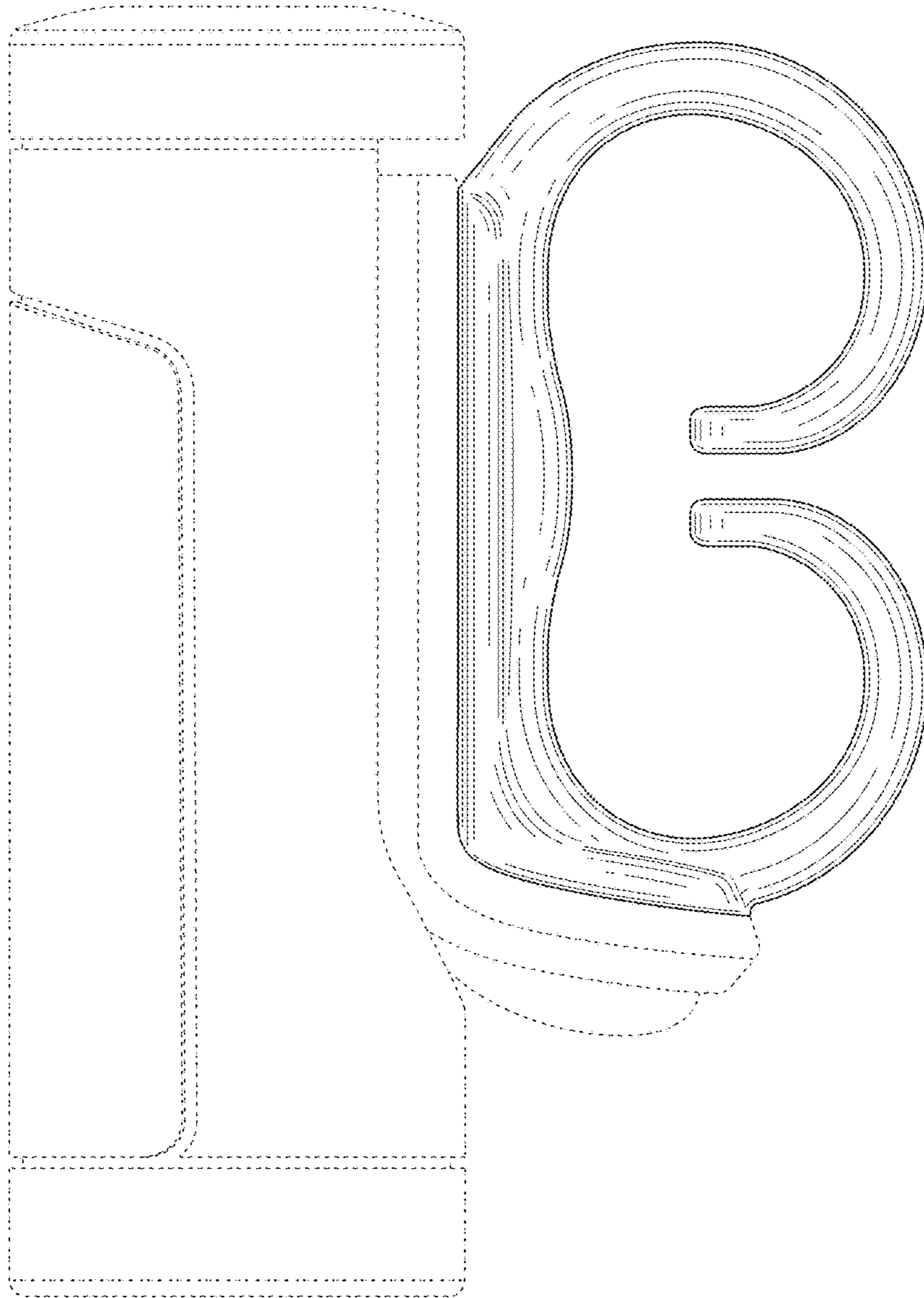


FIG. 14

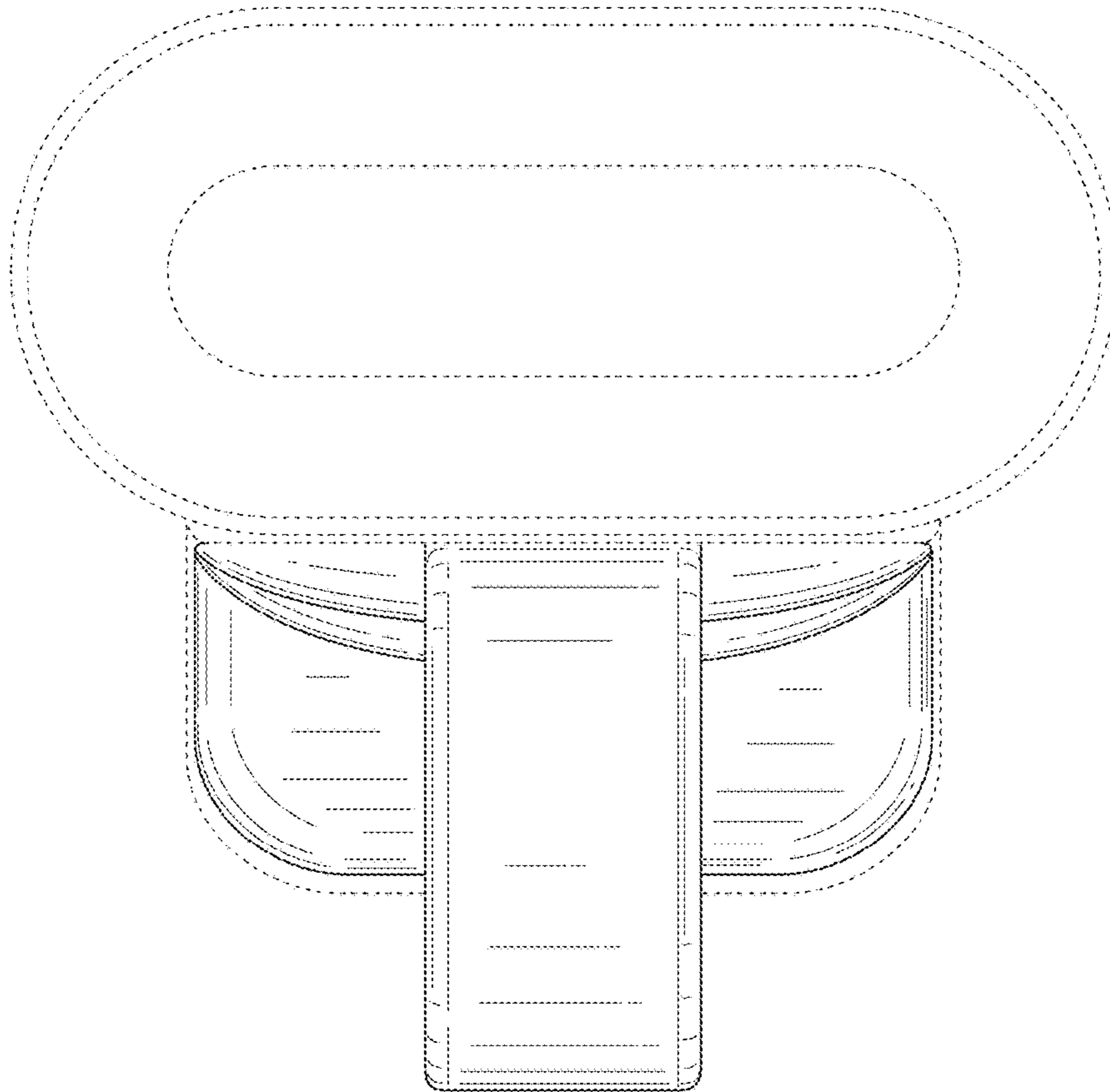


FIG. 15

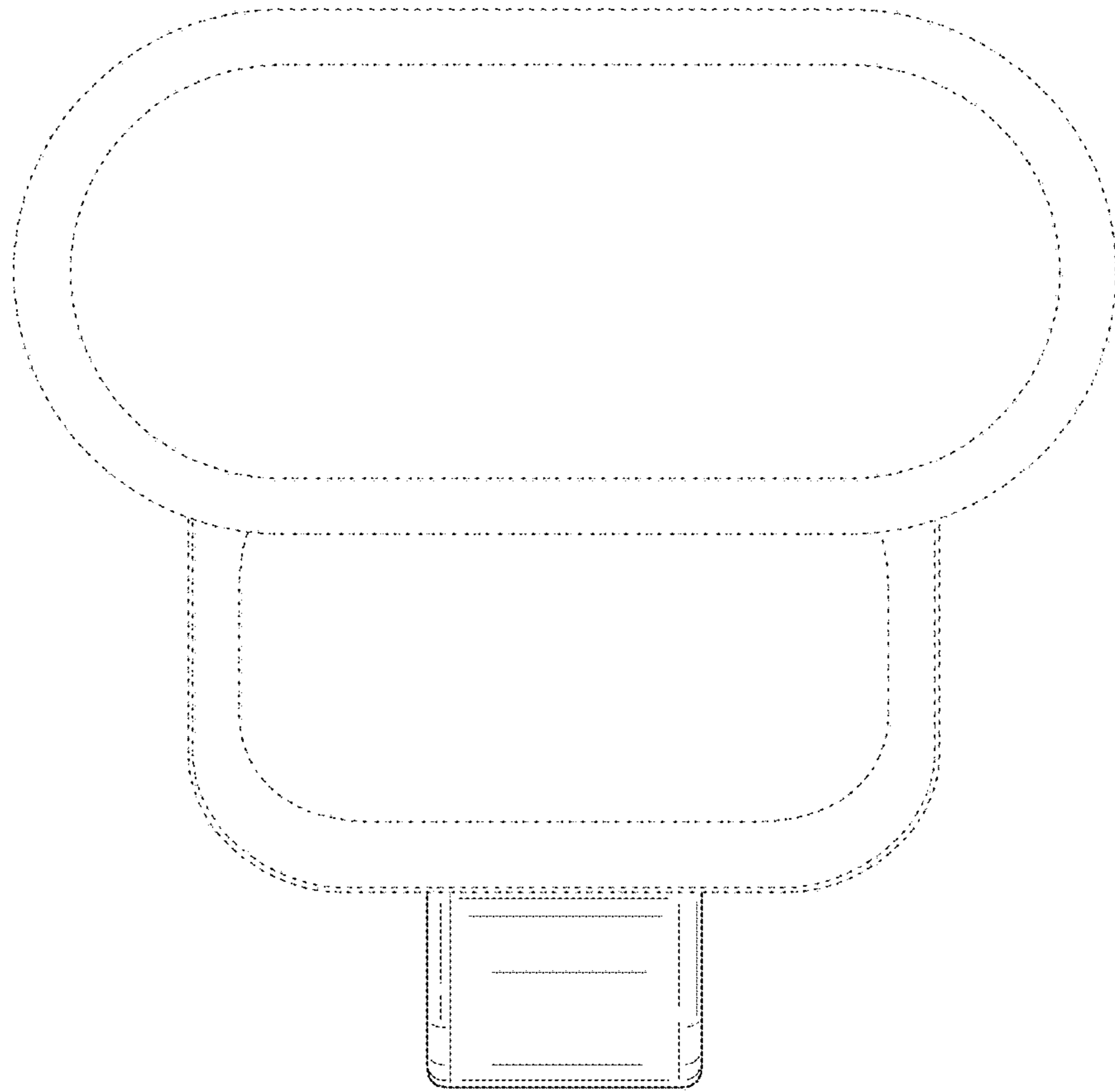


FIG. 16