



US00D865772S

(12) **United States Design Patent** (10) **Patent No.:** **US D865,772 S**
Theisen et al. (45) **Date of Patent:** **** Nov. 5, 2019**

(54) **SPEAKER MOUNT**

A47B 88/044; A47B 2021/0335; H02G
3/126; F16B 47/00; F16B 47/006; A47G
1/17; A47K 2201/00

(71) Applicant: **Milestone AV Technologies LLC**, Eden
Prairie, MN (US)

See application file for complete search history.

(72) Inventors: **Gina Theisen**, Eden Prairie, MN (US);
Justin Kolz, Eden Prairie, MN (US);
Mark Plummer, Eden Prairie, MN
(US)

(56) **References Cited**

U.S. PATENT DOCUMENTS

| | | | | |
|--------------|---------|----------|-------|---------|
| D534,789 S * | 1/2007 | Worrall | | D8/363 |
| D557,126 S * | 12/2007 | Worrall | | D14/452 |
| D558,560 S * | 1/2008 | Ciungan | | D14/452 |
| D563,774 S * | 3/2008 | Wohlford | | D14/452 |
| D565,938 S * | 4/2008 | Massoumi | | D8/363 |
| D580,421 S * | 11/2008 | Sculler | | D14/239 |
| D595,723 S * | 7/2009 | Bures | | D14/451 |
| D596,189 S * | 7/2009 | Bures | | D14/454 |
| D620,943 S * | 8/2010 | Grey | | D14/452 |
| D642,792 S * | 8/2011 | Tremblay | | D3/218 |
| D660,845 S * | 5/2012 | Schmauch | | D14/452 |

(Continued)

Primary Examiner — Katie Jane Stofko

(74) *Attorney, Agent, or Firm* — Patterson Thuent
Pedersen, P.A.

(73) Assignee: **Milestone AV Technologies LLC**, Eden
Prairie, MN (US)

(**) Term: **15 Years**

(21) Appl. No.: **29/616,810**

(22) Filed: **Sep. 8, 2017**

(51) **LOC (12) Cl.** **14-02**

(52) **U.S. Cl.**
USPC **D14/452**

(58) **Field of Classification Search**
USPC D14/371–382, 125–129, 336, 337,
D14/447–452, 492, 335, 239, 457,
D14/439–441, 432, 251–253; D8/349,
D8/354, 363, 373, 376, 380; D21/333;
D12/415; D3/218; 348/180, 184, 325,
348/739, 825

CPC G06F 3/0412; G06F 3/016; G06F 3/0488;
G06F 3/011; G06F 3/038; G06F 3/03543;
G06F 3/0338; G06F 3/0202; G06F
3/0219; G06F 3/0213; G06F 1/1616;
G06F 3/023; G06F 3/04883; G02F
1/13338; G02F 1/1313; G02F 1/1333;
G02F 1/135; G02F 1/132; G02F
1/133308; G02F 1/134309; G02F
1/13718; G09G 3/3648; G06K 15/1252;
B41J 2/465; G03F 7/70291; G02B
27/0172; G02B 5/30; G02B 2027/0118;
G02B 27/0101; F16M 13/02; F16M
13/00; F16M 11/10; F16M 11/04; F16M
2200/08; F16M 11/2021; A47B 21/0314;

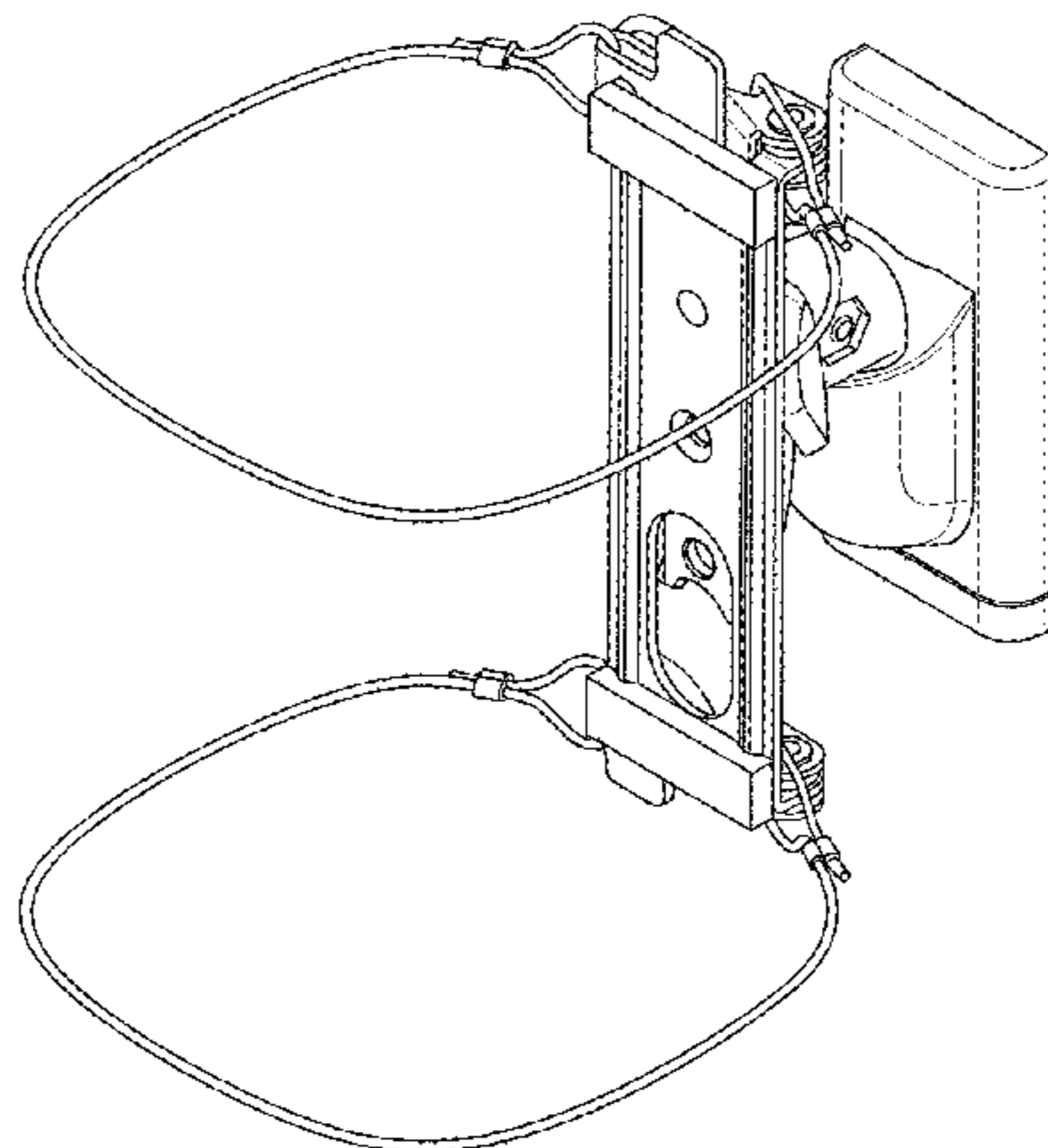
(57) **CLAIM**

The ornamental design for a speaker mount, as shown and
described.

DESCRIPTION

FIG. 1 is a front isometric view of a speaker mount accord-
ing to the invention;
FIG. 2 is a front elevation view of the speaker mount
depicted in FIG. 1;
FIG. 3 is a left side elevation view of the speaker mount
depicted in FIG. 1;
FIG. 4 is a right side elevation view of the speaker mount
depicted in FIG. 1;
FIG. 5 is a top plan view of the speaker mount depicted in
FIG. 1; and,
FIG. 6 is a bottom plan view of the speaker mount depicted
in FIG. 1.

1 Claim, 6 Drawing Sheets



(56)

References Cited

U.S. PATENT DOCUMENTS

RE44,740 E * 2/2014 Ciungan D14/452
D753,128 S * 4/2016 Anderson D14/452

* cited by examiner

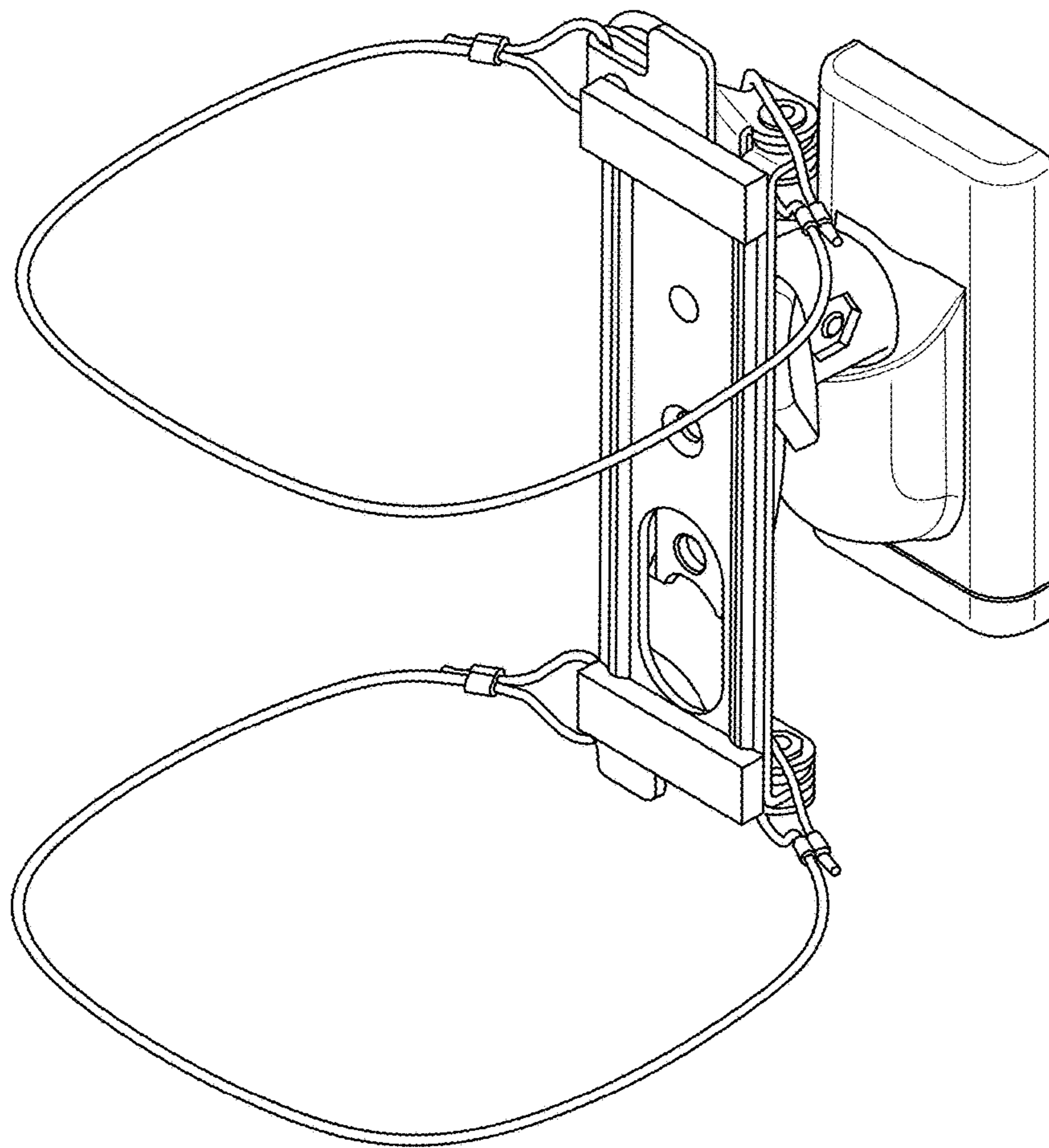


FIG. 1

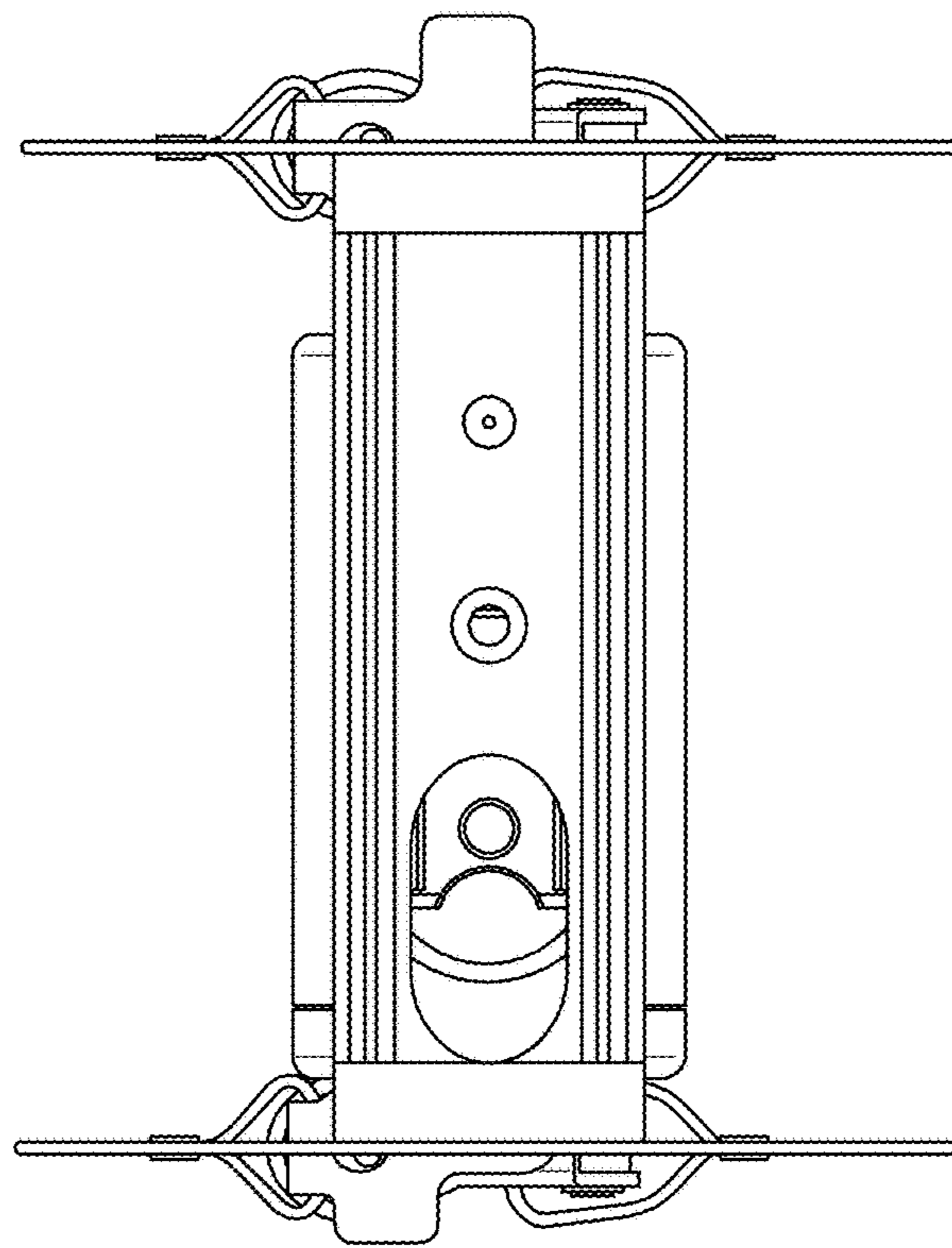


FIG. 2

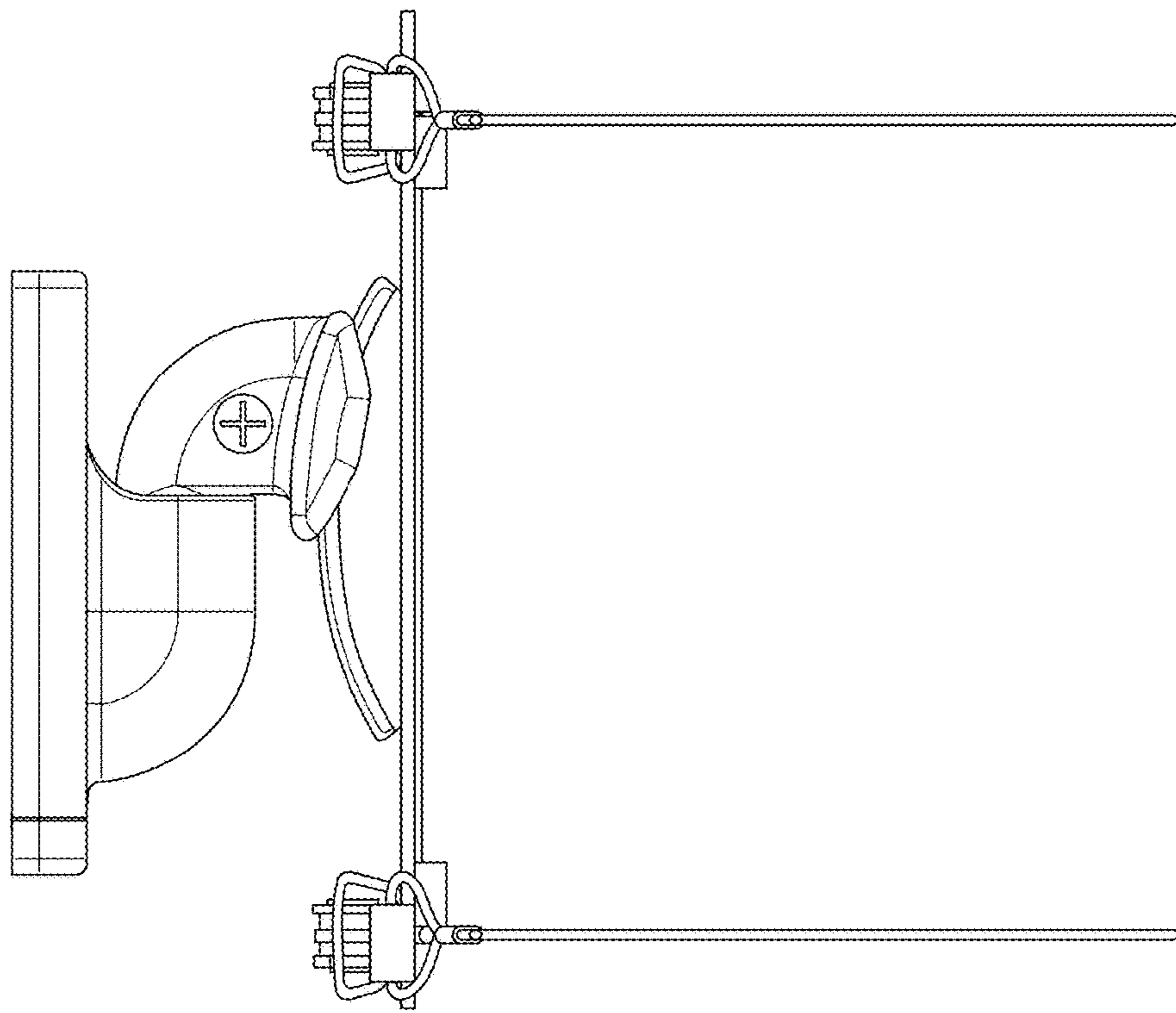


FIG. 3

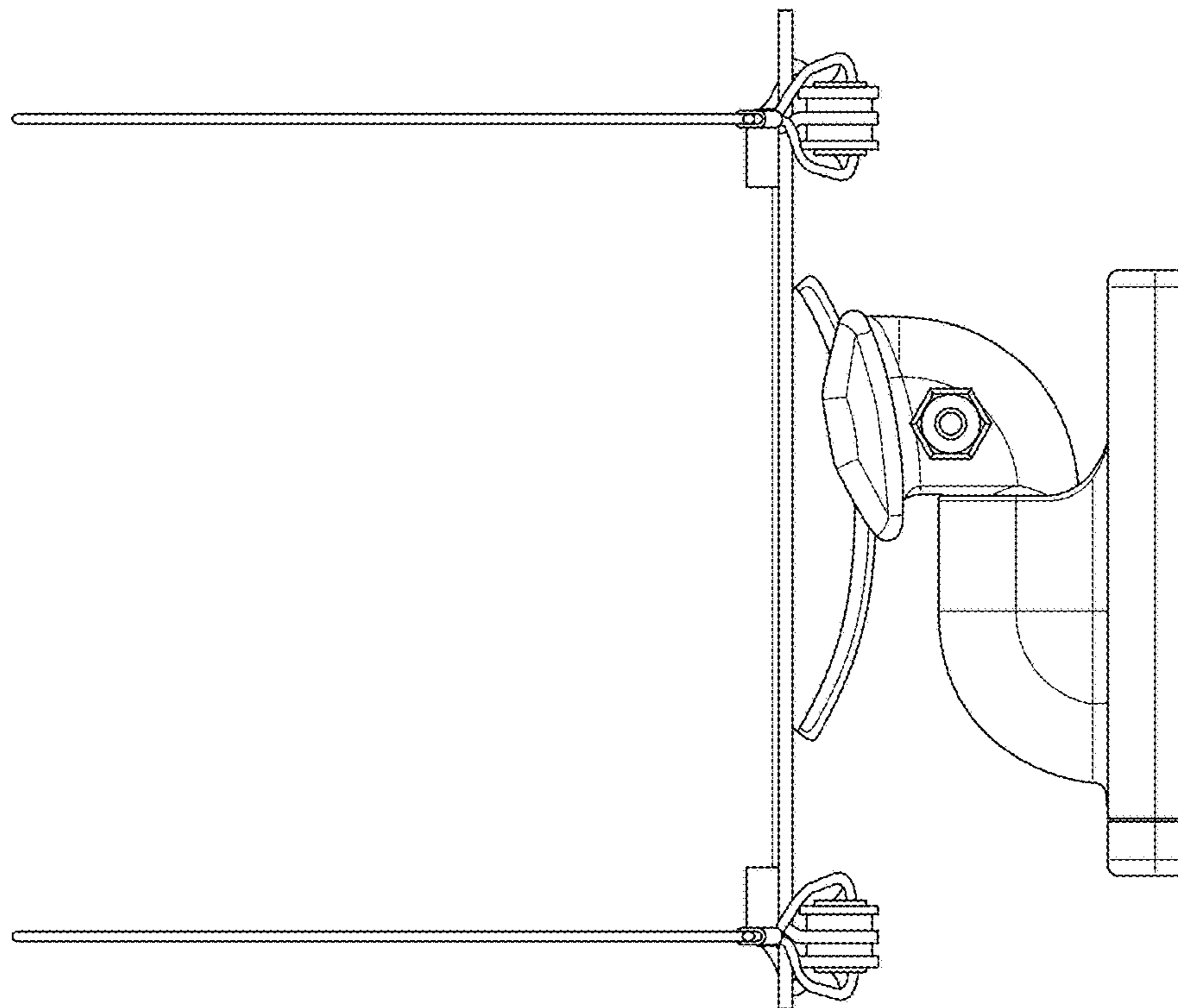


FIG. 4

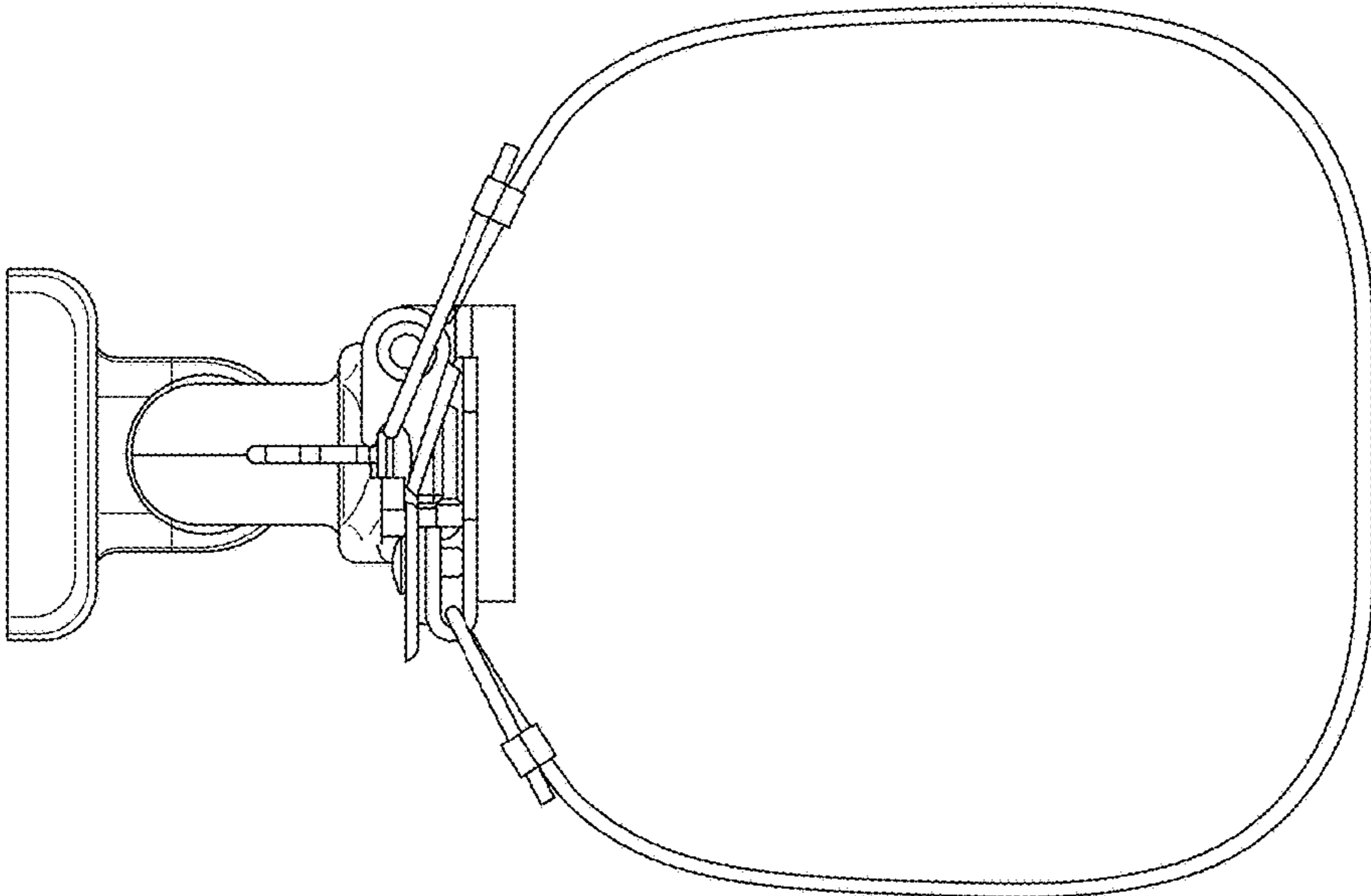


FIG. 5

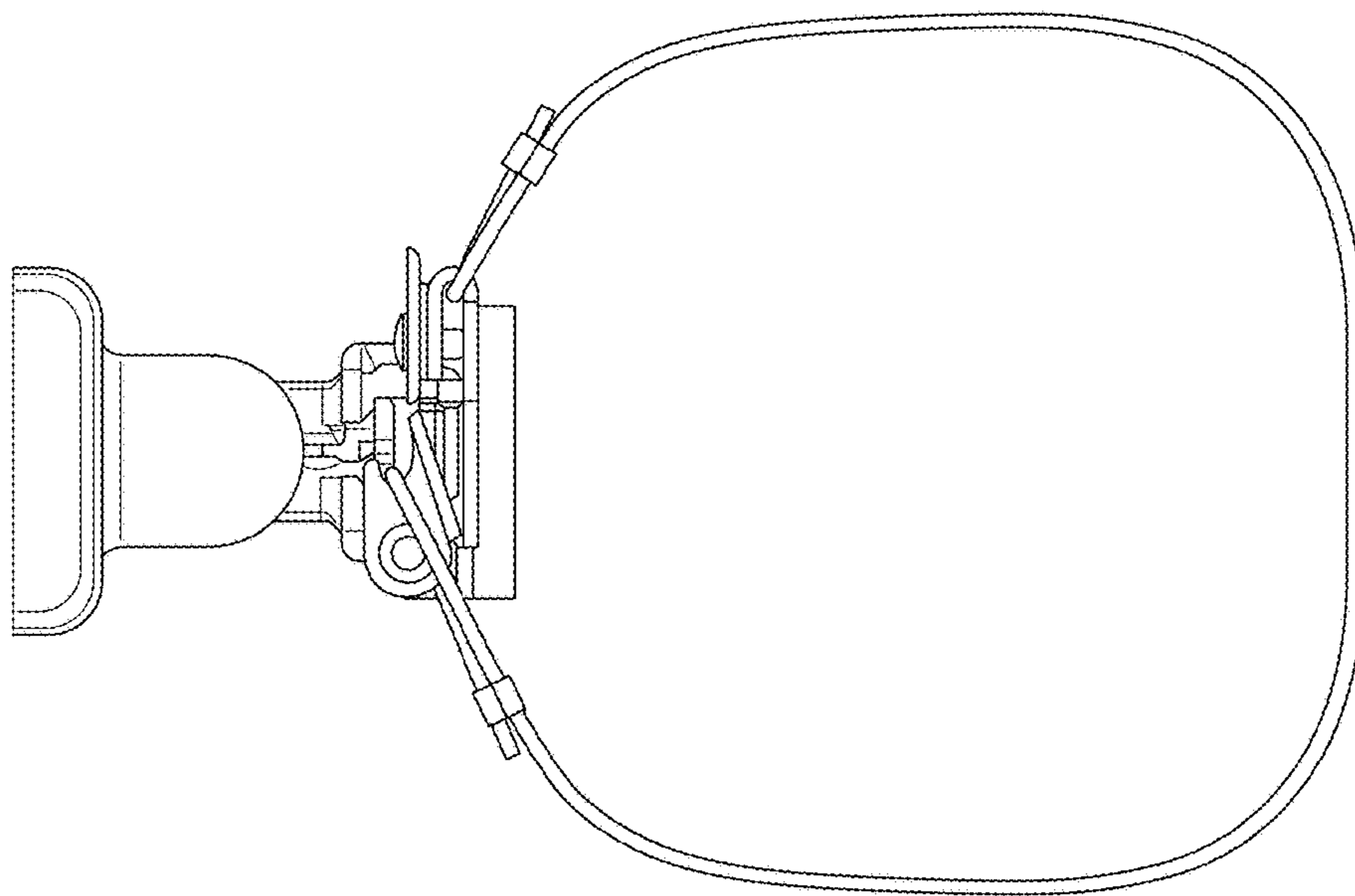


FIG. 6