



US00D865771S

(12) **United States Design Patent** (10) **Patent No.:** **US D865,771 S**
Haller (45) **Date of Patent:** **** Nov. 5, 2019**

(54) **DISPLAY STAND**

(71) Applicant: **ELO TOUCH SOLUTIONS, INC.**,
Milpitas, CA (US)

(72) Inventor: **Jeffrey T. Haller**, Redwood City, CA
(US)

(73) Assignee: **ELO Touch Solutions, Inc.**, Milpitas,
CA (US)

(**) Term: **15 Years**

(21) Appl. No.: **29/607,242**

(22) Filed: **Jun. 12, 2017**

(51) **LOC (12) Cl.** **14-02**

(52) **U.S. Cl.**
USPC **D14/451; D6/672**

(58) **Field of Classification Search**
USPC D6/310, 672, 675.5; D8/349, 354;
D12/415; D14/371, 336, 339, 434, 447,
D14/448, 451, 203.8, 209.1
CPC F16M 11/04; F16M 11/041; F16M 11/10;
F16M 13/00; G06F 1/1637; G06Q
30/0268; B60R 11/00; B60R 2011/0042
See application file for complete search history.

(56) **References Cited**

U.S. PATENT DOCUMENTS

D261,082 S *	10/1981	Lordahl	D6/567
D277,662 S *	2/1985	Huntington	D13/107
D283,954 S *	5/1986	Daws	D6/310
5,317,691 A *	5/1994	Traeger	B60R 11/02 709/250
D368,184 S *	3/1996	Eley	D6/406.4
D409,018 S *	5/1999	Deuschle	D14/217
6,179,253 B1 *	1/2001	Cotton	B60K 35/00 248/27.1
D454,136 S *	3/2002	Deuschle	D14/447
D462,359 S *	9/2002	Scharer	D14/451

(Continued)

Primary Examiner — John Windmuller

Assistant Examiner — Steven J Czyz

(74) *Attorney, Agent, or Firm* — Sterne, Kessler,
Goldstein & Fox P.L.L.C.

(57) **CLAIM**

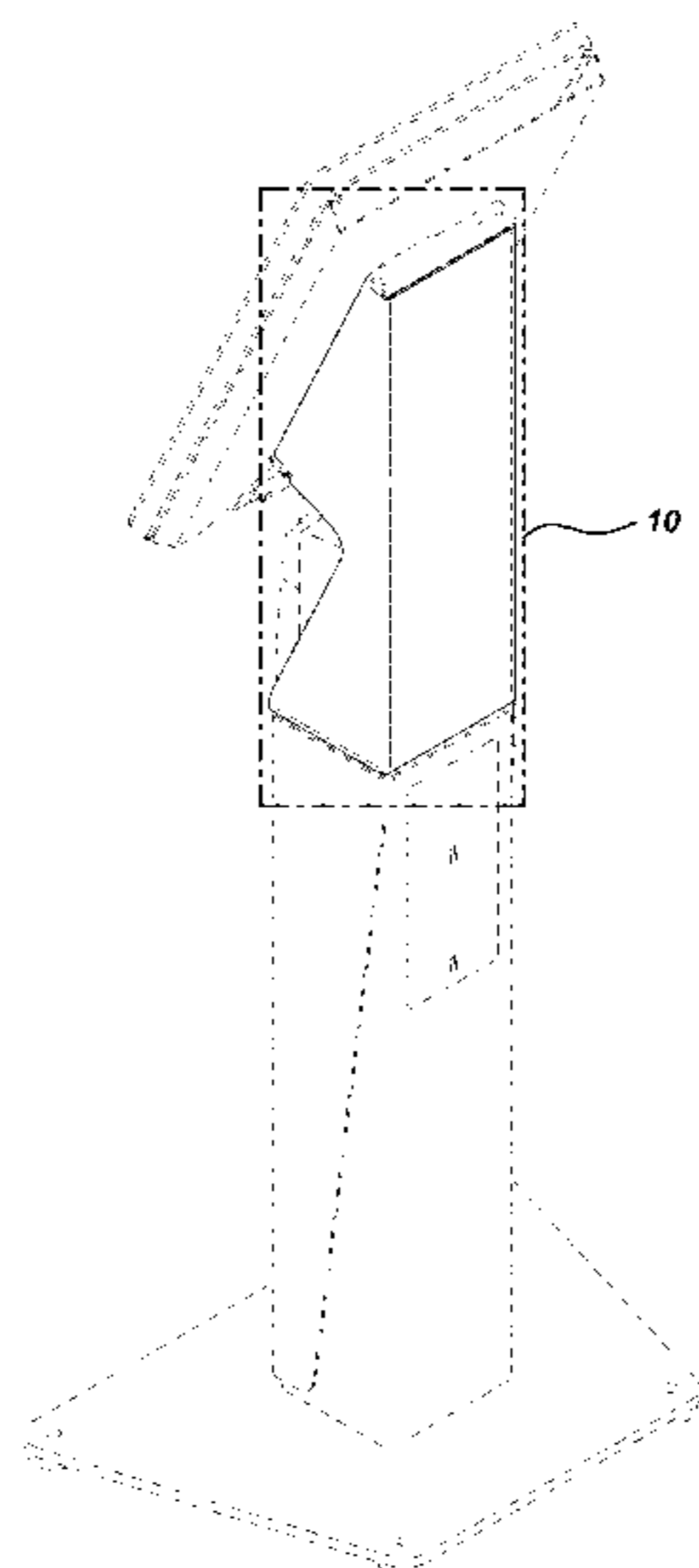
The ornamental design for a display stand, as shown and described.

DESCRIPTION

FIG. 1 is a top front perspective view of a display stand showing the claimed design;
 FIG. 2 is a top rear perspective view thereof;
 FIG. 3 is a front view thereof;
 FIG. 4 is a rear view thereof;
 FIG. 5 is a left side view thereof;
 FIG. 6 is a right side view thereof;
 FIG. 7 is a top view thereof;
 FIG. 8 is a bottom view thereof;
 FIG. 9 is an enlarged view of the area shown in dot-dash lines in FIG. 1 for the ease of illustration;
 FIG. 10 is an enlarged view of the area shown in dot-dash lines in FIG. 2 for the ease of illustration;
 FIG. 11 is an enlarged view of the area shown in dot-dash lines in FIG. 3 for the ease of illustration;
 FIG. 12 is an enlarged view of the area shown in dot-dash lines in FIG. 4 for the ease of illustration;
 FIG. 13 is an enlarged view of the area shown in dot-dash lines in FIG. 5 for the ease of illustration;
 FIG. 14 is an enlarged view of the area shown in dot-dash lines in FIG. 6 for the ease of illustration; and,
 FIG. 15 is a top rear perspective view of the display stand of the present invention showing the claimed design in an alternate environment in which it may be used.

The broken lines in the figures show environment and portions of the display stand that form no part of the claimed design. The dot-dash lines in the FIGS. 9-15 are for illustrative purposes only, and form no part of the claimed design.

1 Claim, 14 Drawing Sheets



(56)

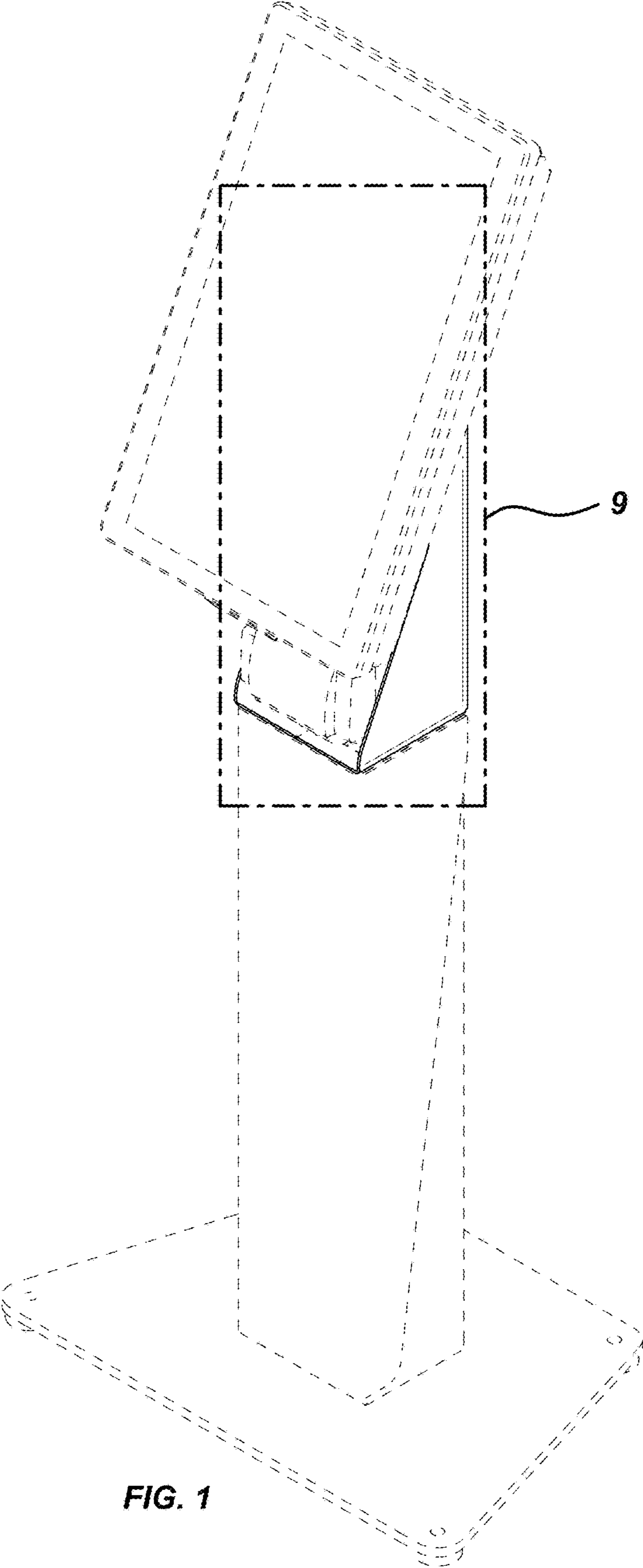
References Cited

U.S. PATENT DOCUMENTS

D467,561 S * 12/2002 Kosciolk D14/129
 D478,088 S * 8/2003 Hamouz D14/451
 D487,270 S * 3/2004 Richter D14/447
 D535,615 S * 1/2007 Iwai D13/108
 D547,755 S * 7/2007 Wang D14/239
 D562,588 S * 2/2008 Bays D6/672
 D584,075 S * 1/2009 Hung D14/239
 D605,588 S * 12/2009 Nomi D13/108
 D613,684 S * 4/2010 Nishizawa D13/108
 D631,481 S * 1/2011 Floersch D14/451
 D645,847 S * 9/2011 Chau D13/108
 D646,904 S * 10/2011 Feldstein D6/310
 D647,898 S * 11/2011 Haller D14/336
 D652,045 S * 1/2012 Hong D14/447
 D655,293 S * 3/2012 Gioscia D14/434
 D663,736 S * 7/2012 Stanek D14/451
 D671,934 S * 12/2012 Alman D14/253
 D680,118 S * 4/2013 Schmelling D14/434
 D683,141 S * 5/2013 Symons D14/447
 D686,852 S * 7/2013 Lalo D6/675.4
 D688,673 S * 8/2013 Haller D14/451
 D725,182 S * 3/2015 Haller D18/11

D736,211 S * 8/2015 Kirkpatrick H05K 7/20136
 D14/434
 D755,788 S * 5/2016 Mitchell D14/371
 D760,845 S * 7/2016 Plakas D14/451
 D771,615 S * 11/2016 Pignotti D14/253
 D775,123 S * 12/2016 Guimaraes D14/336
 D778,277 S * 2/2017 Haller D14/336
 D782,226 S * 3/2017 Zheng D6/672
 D782,975 S * 4/2017 Chen D13/108
 D788,778 S * 6/2017 Magi D14/434
 D792,413 S * 7/2017 Floersch D14/447
 D792,414 S * 7/2017 Floersch D14/447
 D798,636 S * 10/2017 Van Ladingham, Jr.
 D6/677.4
 D806,159 S * 12/2017 Haller D18/4.5
 D806,450 S * 1/2018 Seong D6/672
 D810,014 S * 2/2018 Haranaka D13/108
 D811,753 S * 3/2018 Conrad D6/310
 D813,850 S * 3/2018 Young, III D14/224
 D825,575 S * 8/2018 Gao D14/447
 D830,369 S * 10/2018 Grundstrom D14/447
 D837,800 S * 1/2019 Haller D14/451
 D842,305 S * 3/2019 Gao D14/447
 D842,862 S * 3/2019 Ellis D14/447

* cited by examiner



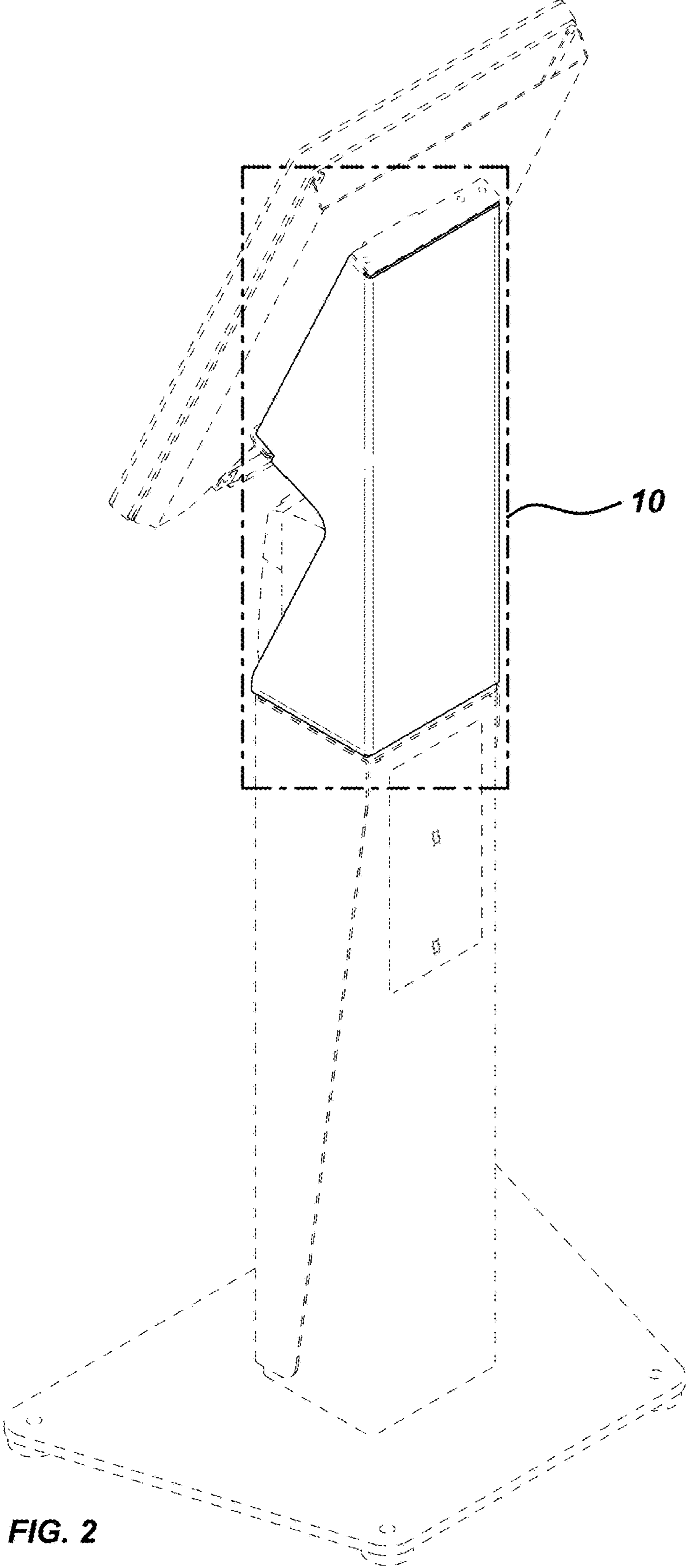


FIG. 2

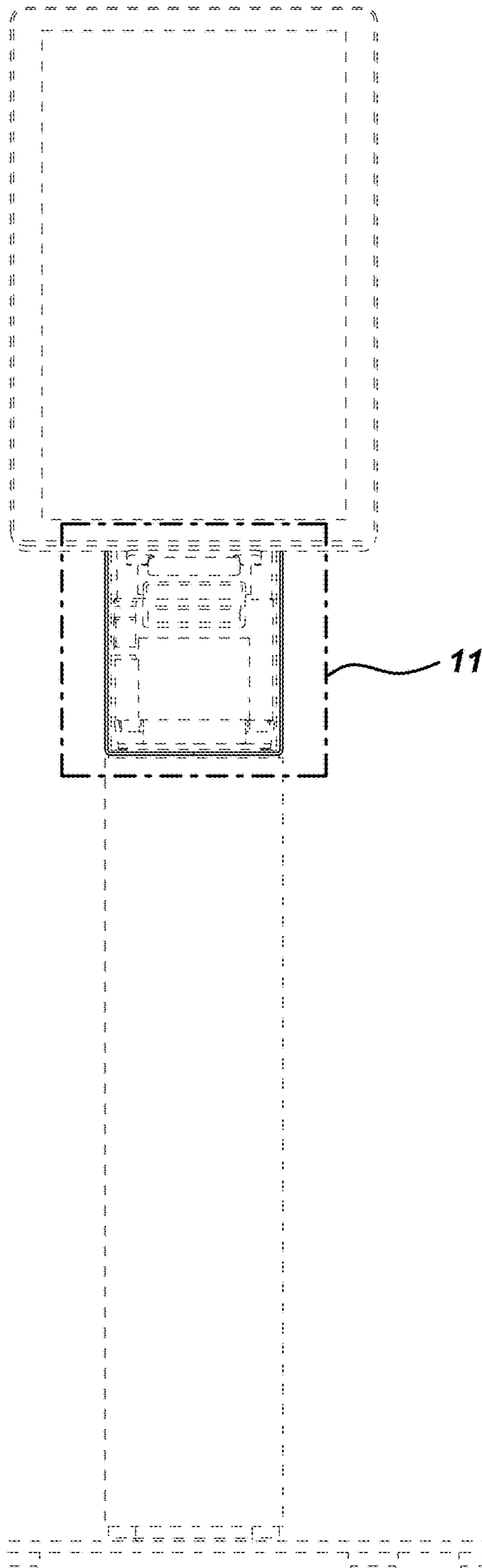


FIG. 3

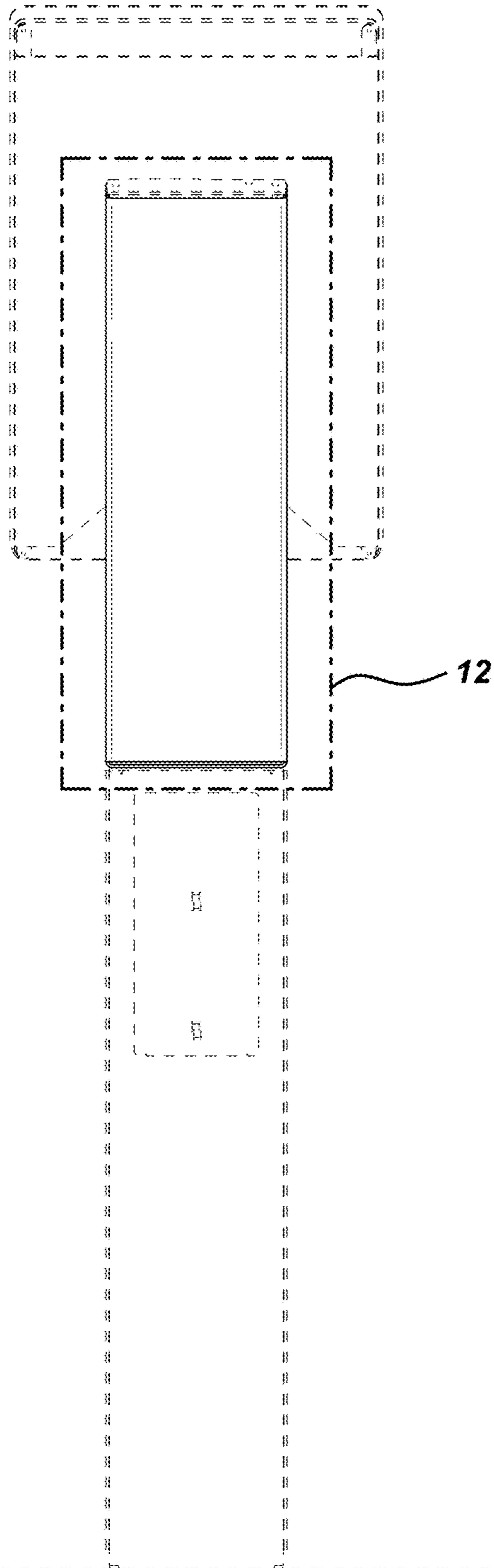


FIG. 4

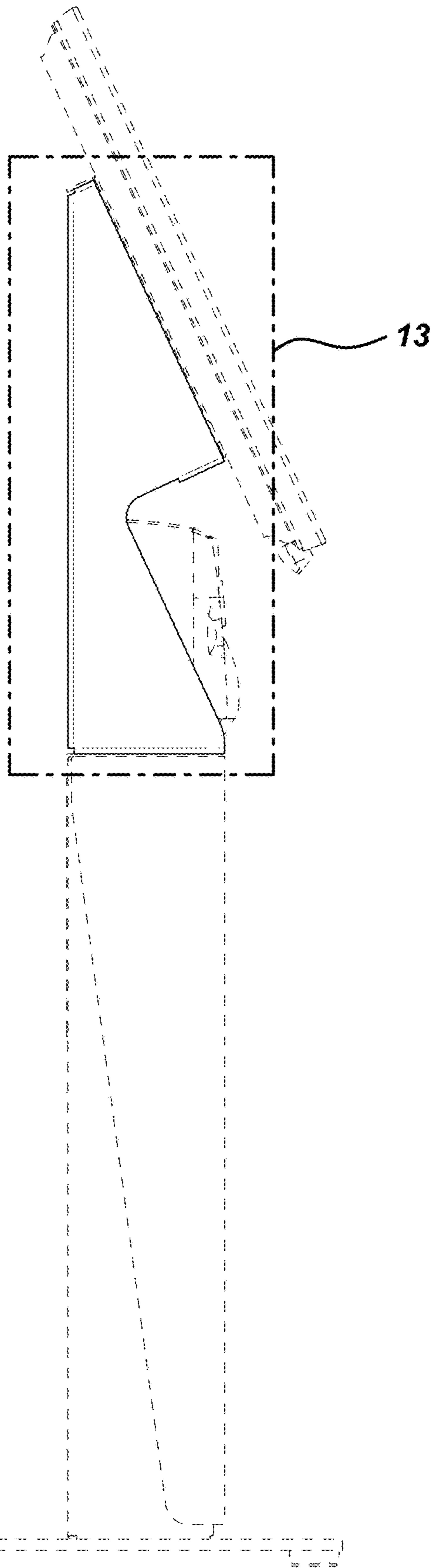


FIG. 5

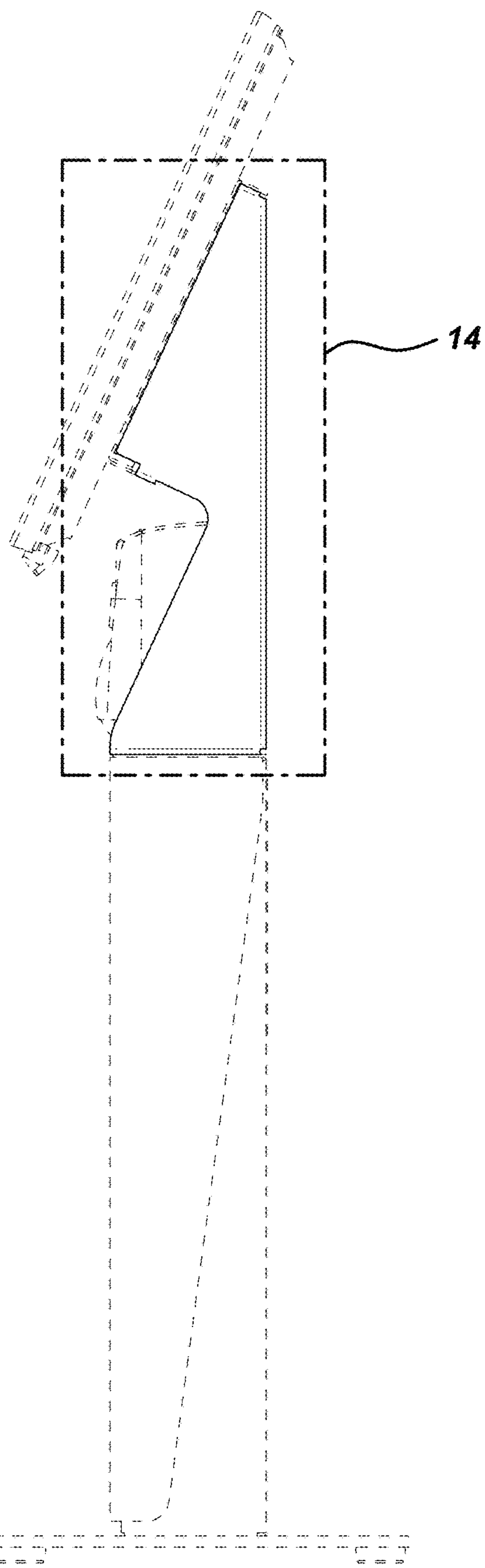


FIG. 6

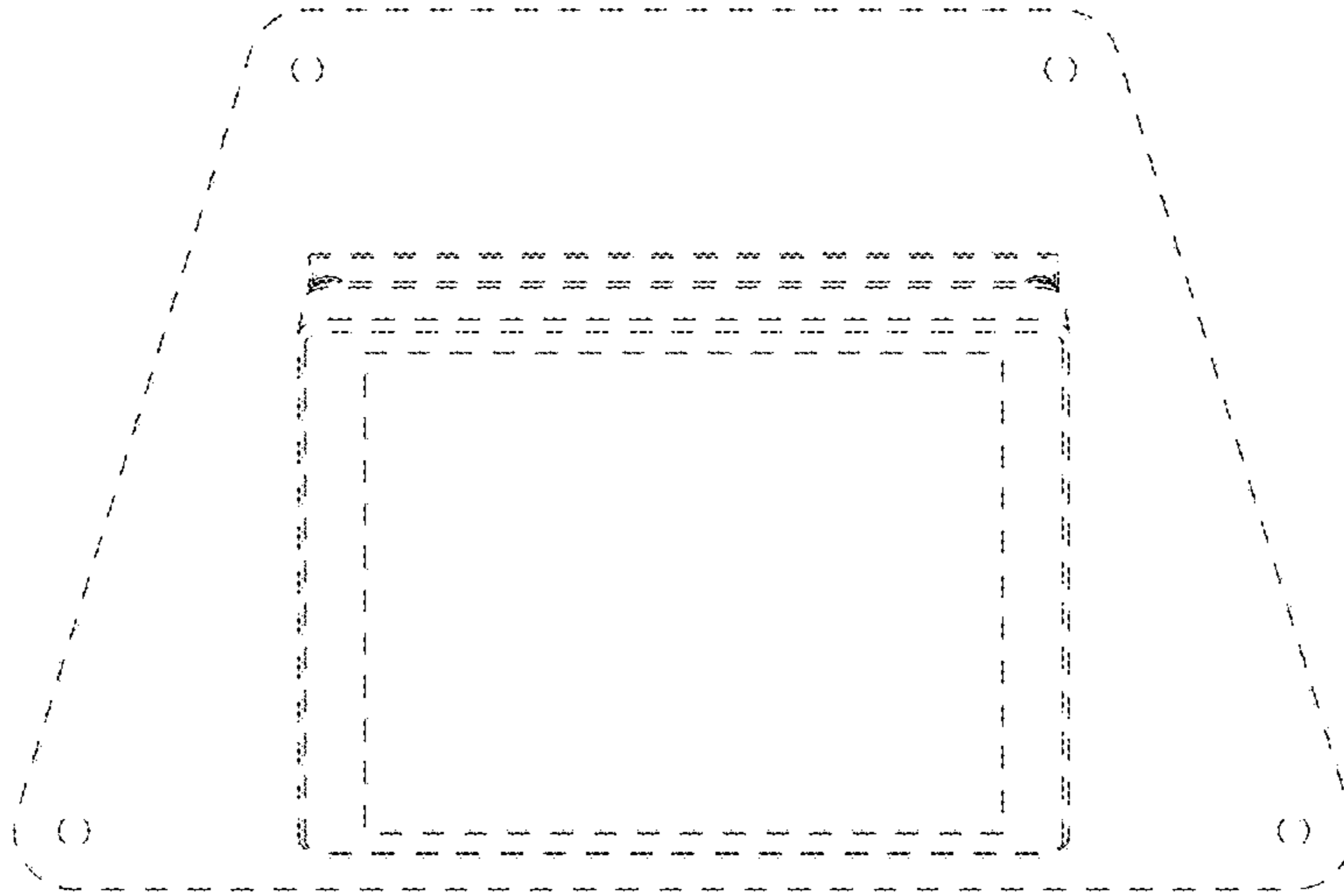


FIG. 7

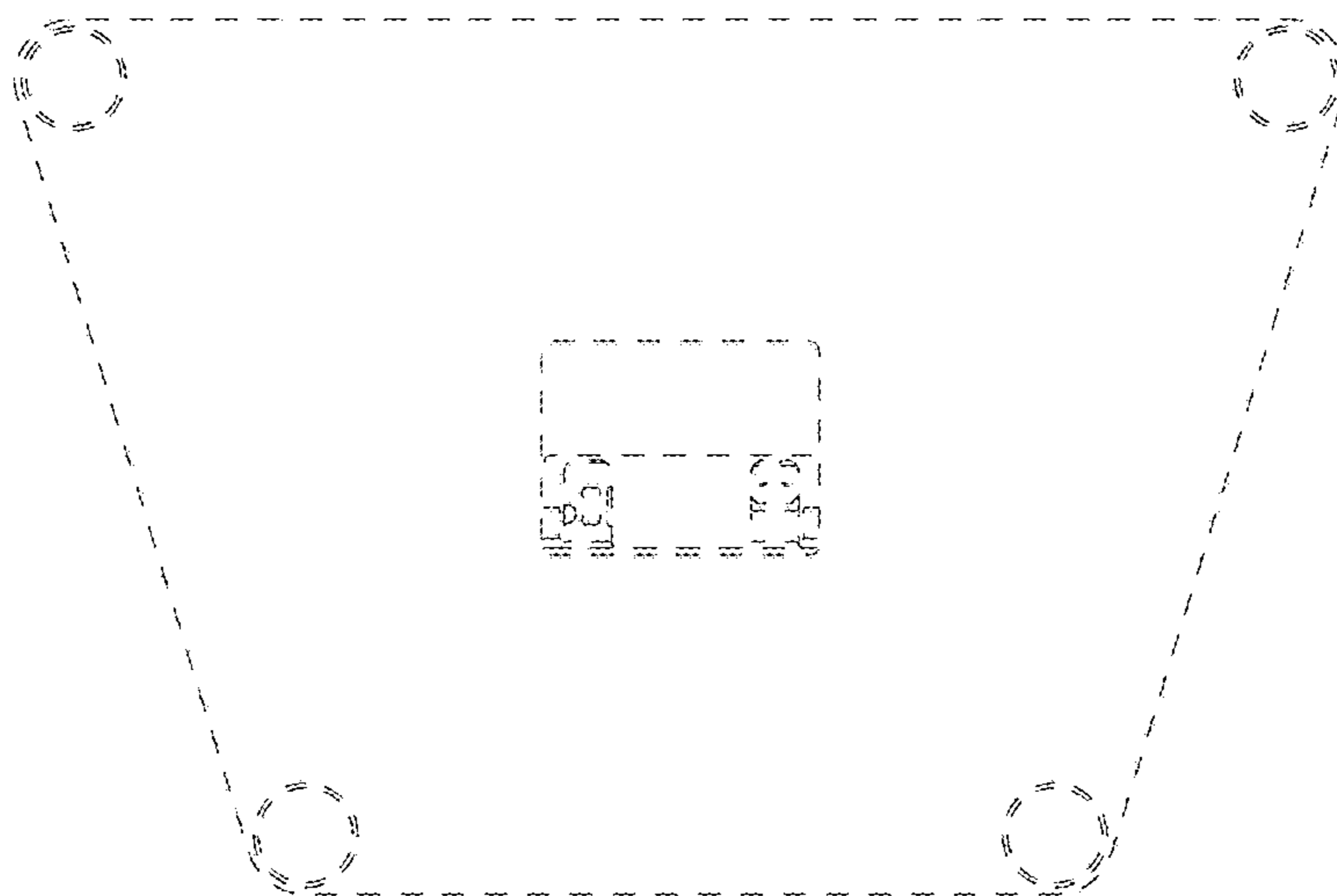


FIG. 8

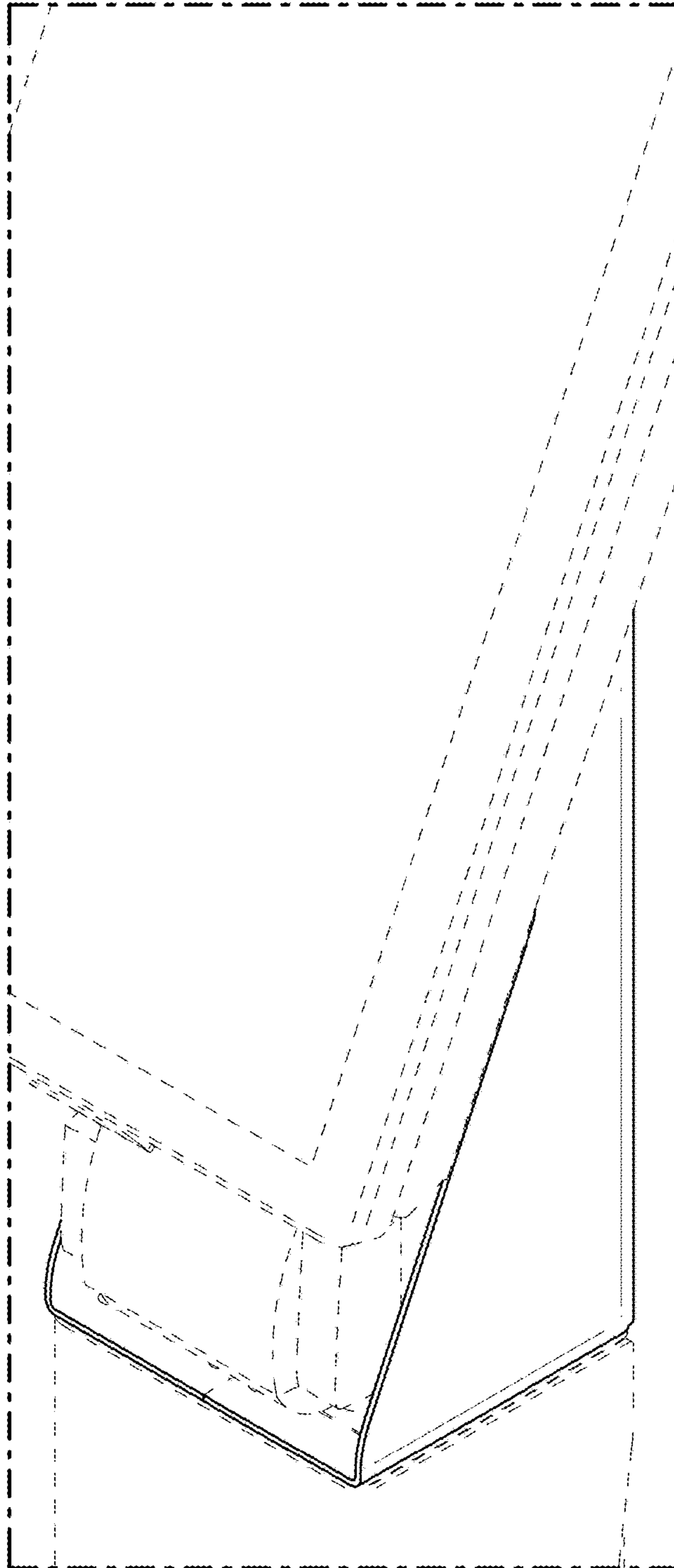


FIG. 9

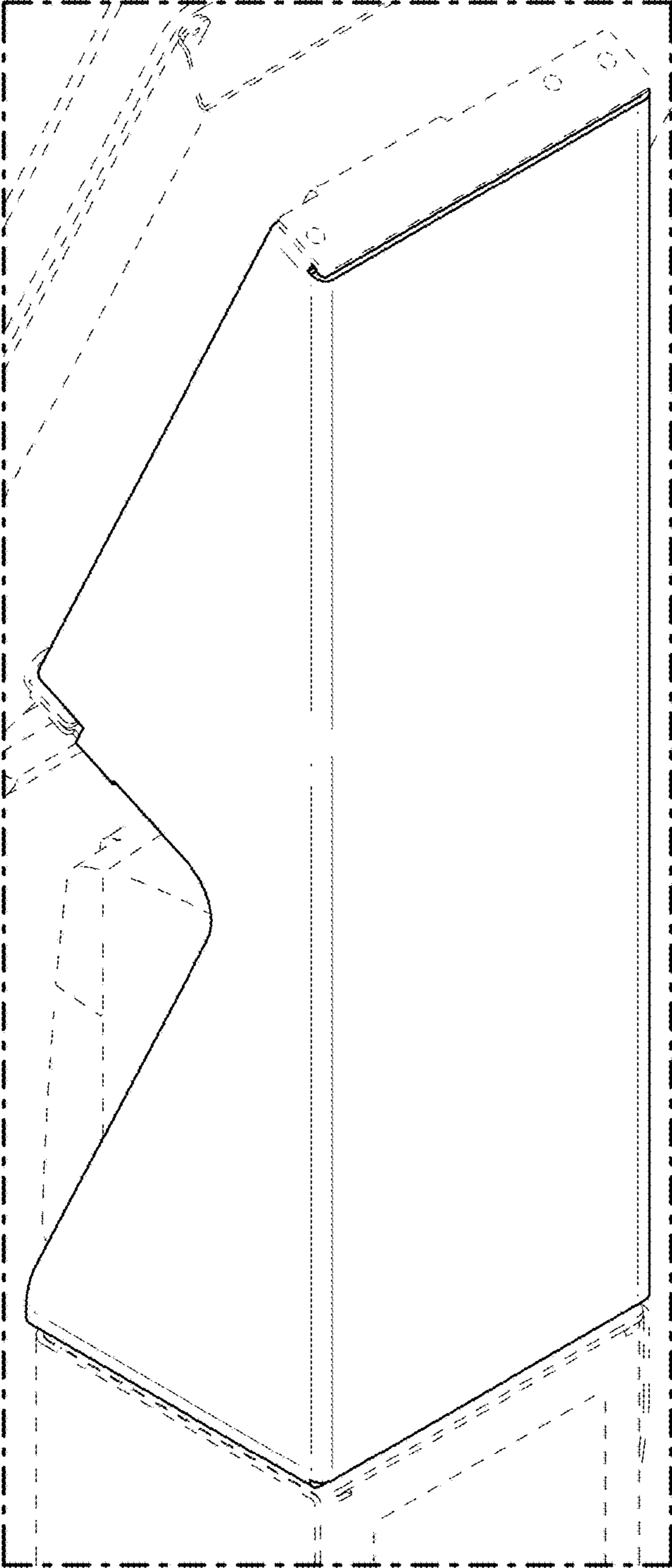


FIG. 10

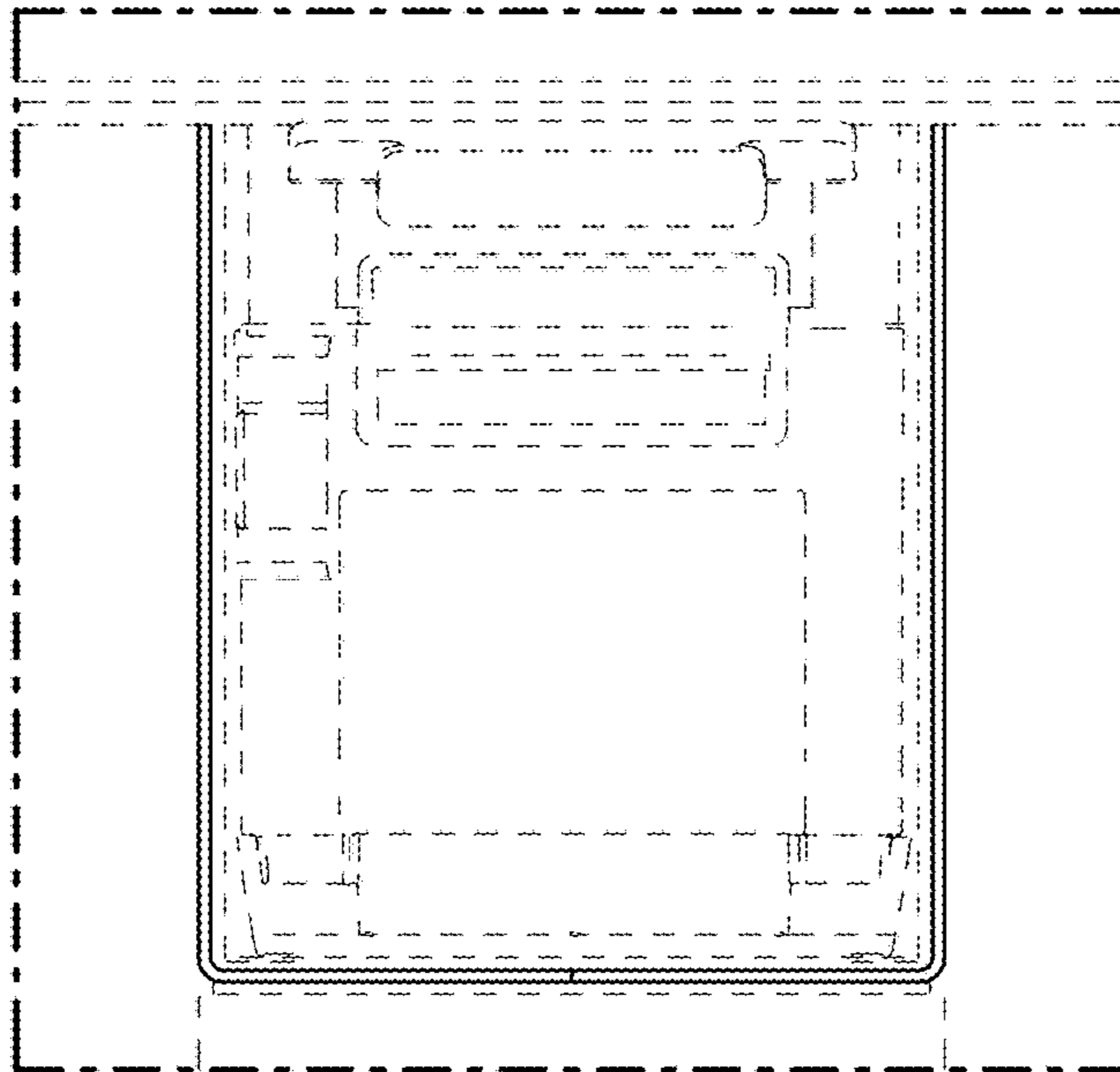


FIG. 11

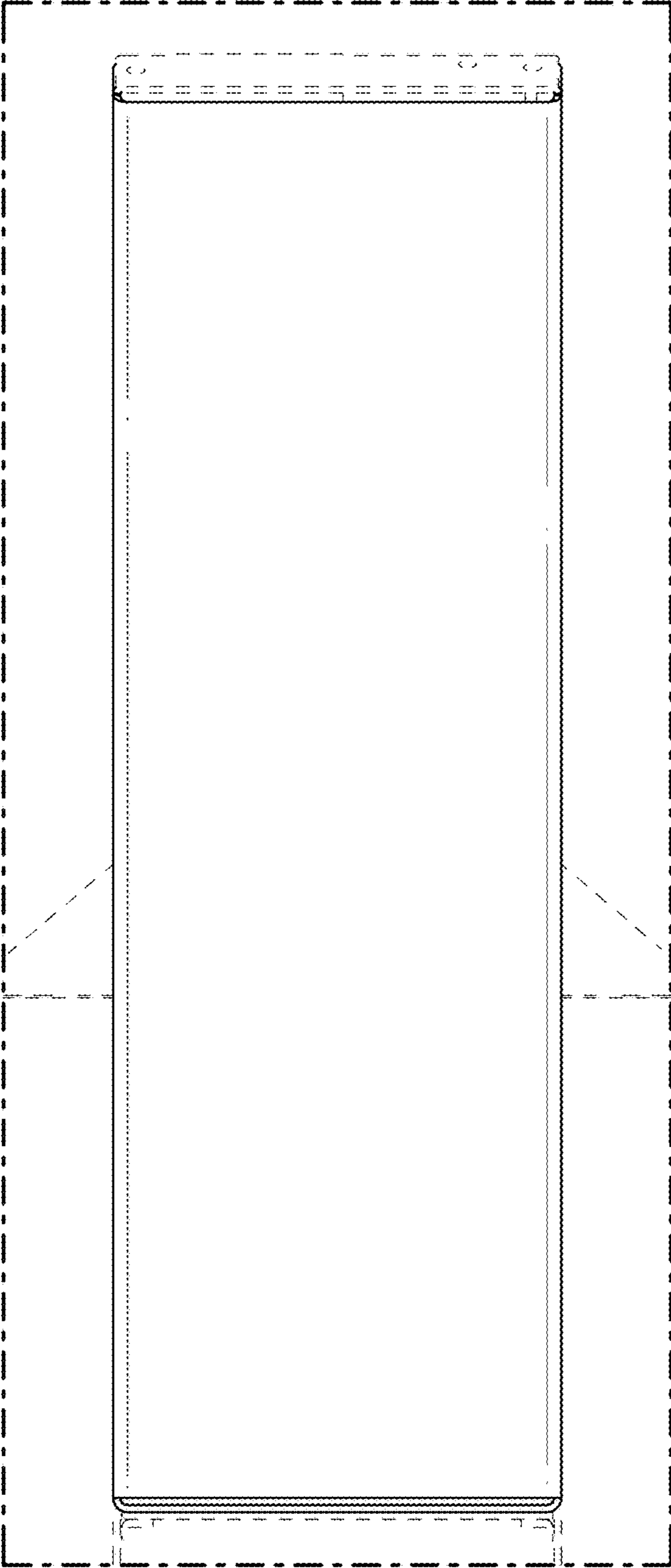


FIG. 12

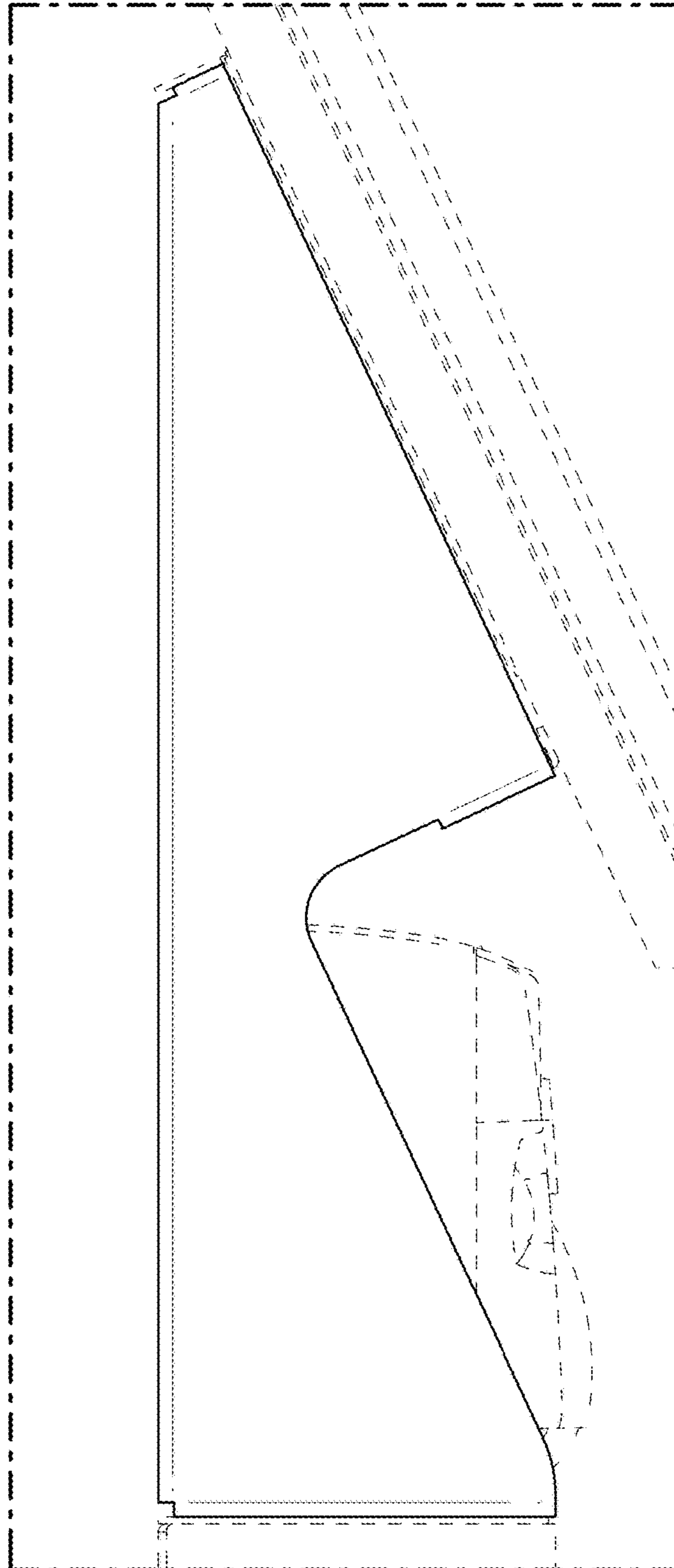


FIG. 13

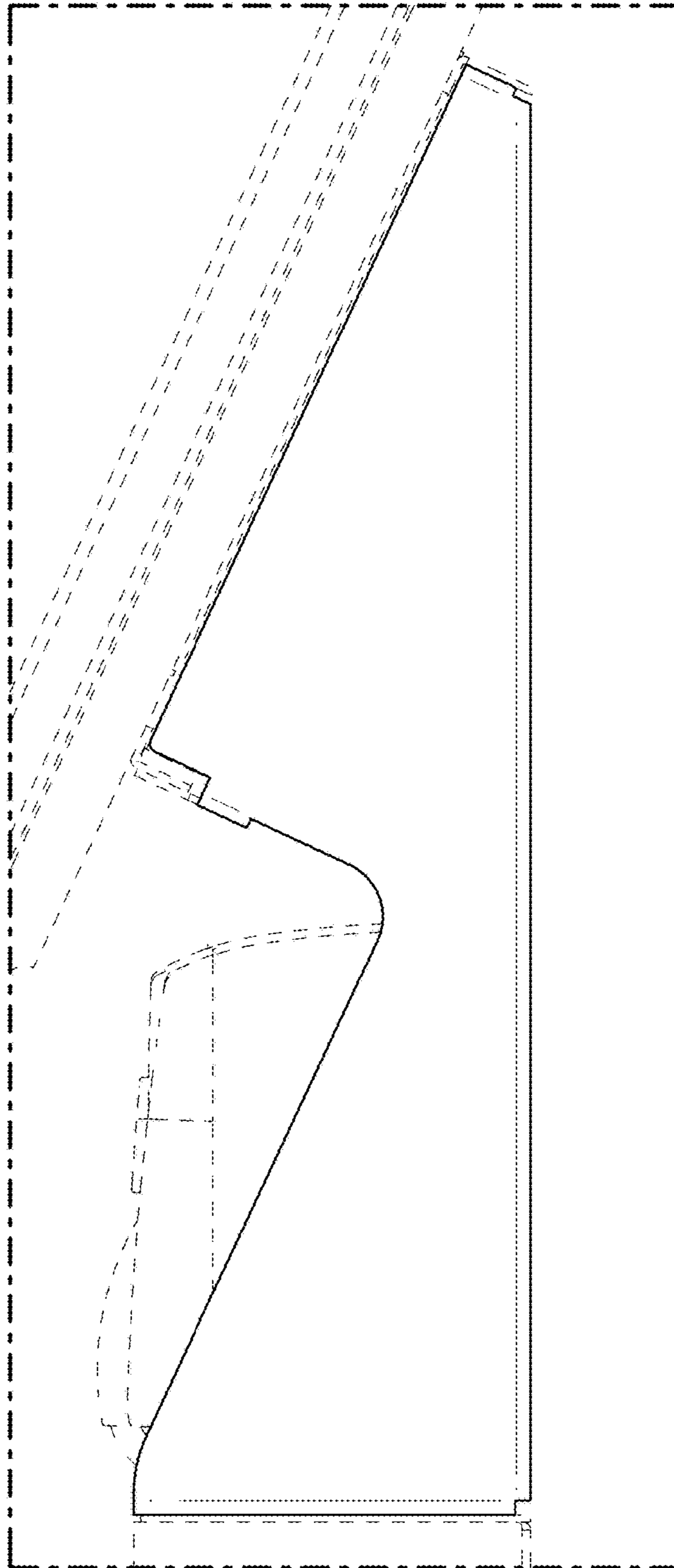


FIG. 14

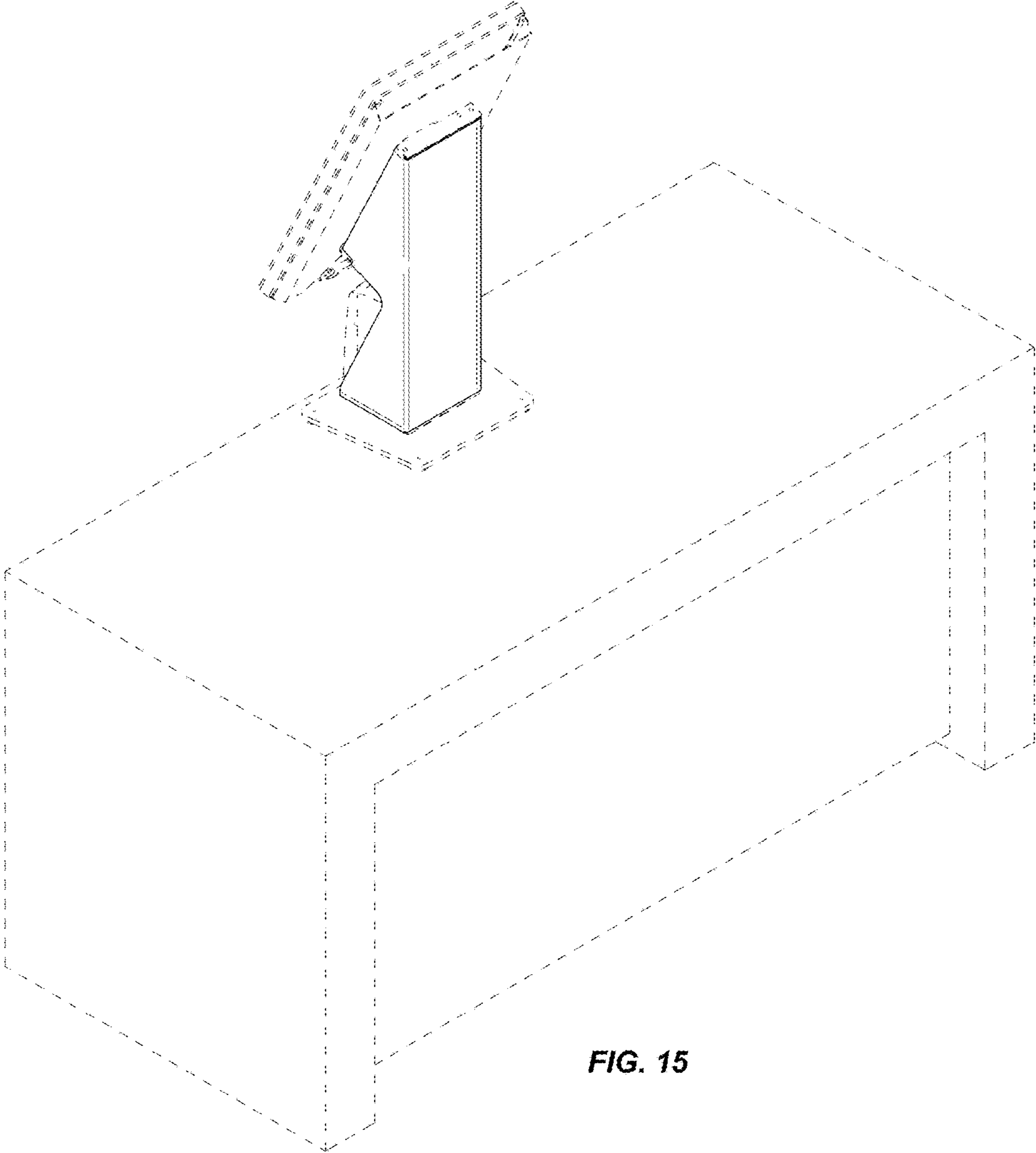


FIG. 15

UNITED STATES PATENT AND TRADEMARK OFFICE
CERTIFICATE OF CORRECTION

PATENT NO. : D865,771 S
APPLICATION NO. : 29/607242
DATED : November 5, 2019
INVENTOR(S) : Jeffrey T. Haller

Page 1 of 1

It is certified that error appears in the above-identified patent and that said Letters Patent is hereby corrected as shown below:

On the Title Page

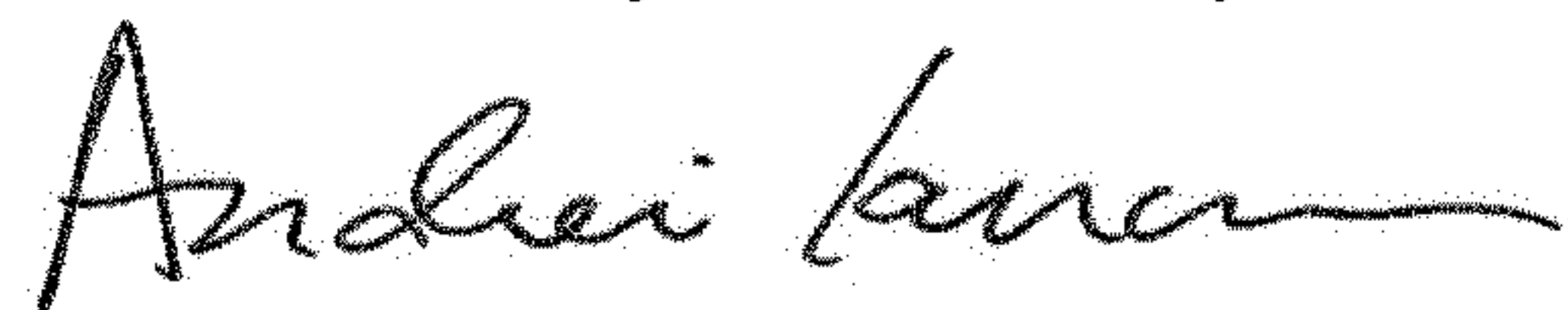
In paragraph 16 of the Description, replace:

“The broken lines in the figures show environment and portions of the display stand that form no part of the claimed design. The dot-dash lines in FIGS. 9–15 are for illustrative purposes only, and form no part of the claimed design.”

With:

--The broken lines in the figures show environment and portions of the display stand that form no part of the claimed design. The dot-dash lines in FIGS. 1–15 are for illustrative purposes only, and form no part of the claimed design.--

Signed and Sealed this
Eleventh Day of February, 2020



Andrei Iancu
Director of the United States Patent and Trademark Office