



US00D865770S

(12) **United States Design Patent** (10) **Patent No.:** **US D865,770 S**  
**Igbo-Nwoke et al.** (45) **Date of Patent:** **\*\* Nov. 5, 2019**

(54) **ADJUSTABLE DUAL MOBILE DEVICE  
HOLDER AND STAND**

(71) Applicants: **Victor Igbo-Nwoke**, Orlando, FL (US);  
**Chichi Igbo-Nwoke**, Orlando, FL (US)

(72) Inventors: **Victor Igbo-Nwoke**, Orlando, FL (US);  
**Chichi Igbo-Nwoke**, Orlando, FL (US)

(\*\*) Term: **15 Years**

(21) Appl. No.: **29/653,169**

(22) Filed: **Jun. 13, 2018**

(51) **LOC (12) Cl.** ..... **08-07**

(52) **U.S. Cl.**  
USPC ..... **D14/447**

(58) **Field of Classification Search**  
USPC ..... D14/447, 432, 434, 439, 440, 451, 452,  
D14/457, 239, 250, 253, 203.7, 336, 337;  
D8/363, 373, 380; D6/406.3, 406.4,  
D6/406.5, 406.6; D12/415; D21/330,  
D21/331; D3/218  
CPC ..... A47B 21/04; A47B 2097/006; A47B  
2097/005; A47B 2023/049; A45C  
2011/002; A45C 2011/003; F16M  
2200/00; F16M 13/00

See application file for complete search history.

(56) **References Cited**

**U.S. PATENT DOCUMENTS**

6,644,611 B1 \* 11/2003 Tai ..... F16C 11/10  
248/292.13  
D648,727 S \* 11/2011 Van Den Nieuwenhuizen .....  
D14/447  
D662,502 S \* 6/2012 Wesolek ..... D14/434  
D676,853 S \* 2/2013 Gengler ..... D14/447  
D678,886 S \* 3/2013 Heckler ..... D14/447

D684,630 S \* 6/2013 Pham ..... D19/91  
D733,155 S \* 6/2015 van Hooft ..... D14/447  
D755,796 S \* 5/2016 Gibson ..... D14/447  
D804,490 S \* 12/2017 Wei ..... D14/447  
D824,914 S \* 8/2018 Okuley ..... D14/447  
D845,307 S \* 4/2019 Hallar ..... D14/447

\* cited by examiner

*Primary Examiner* — Angela J Lee

(74) *Attorney, Agent, or Firm* — The Rapacke Law  
Group, P.A.

(57) **CLAIM**

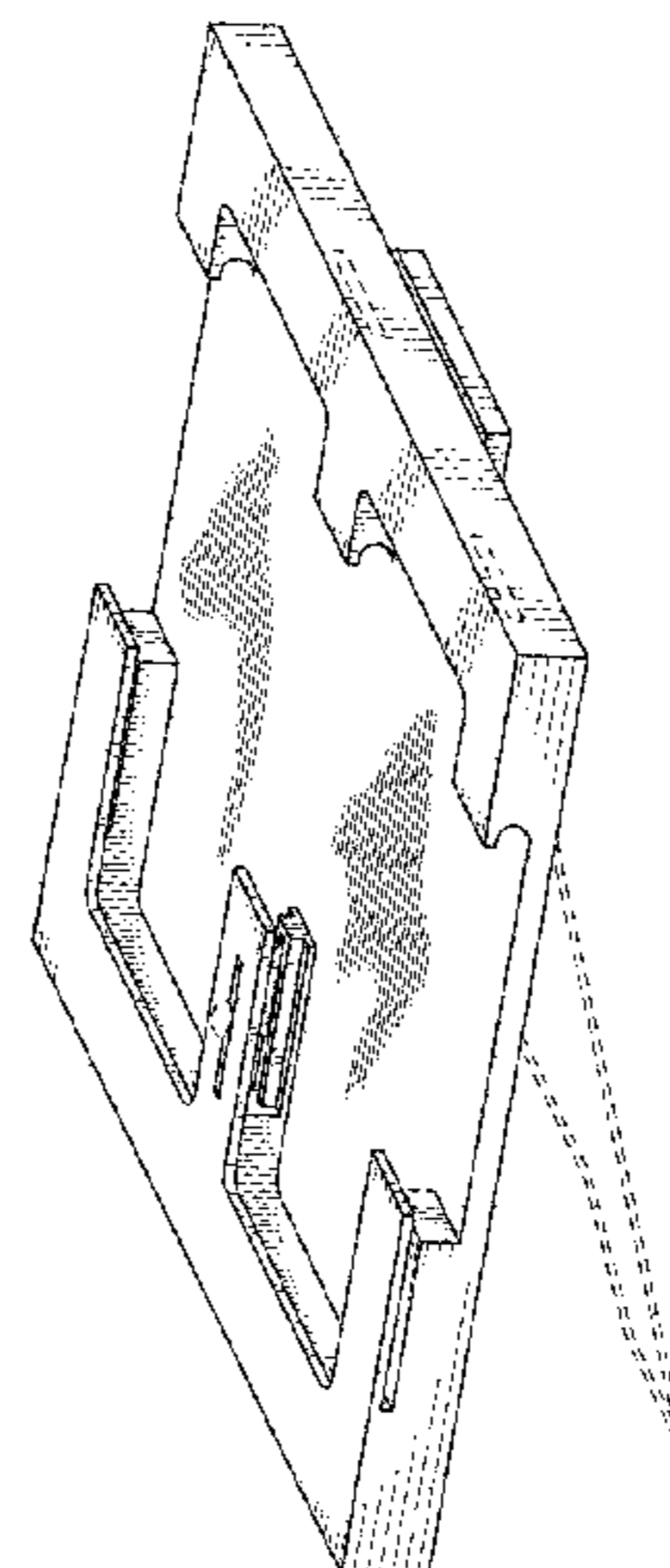
The ornamental design for a adjustable dual mobile device  
holder and stand, as shown and described.

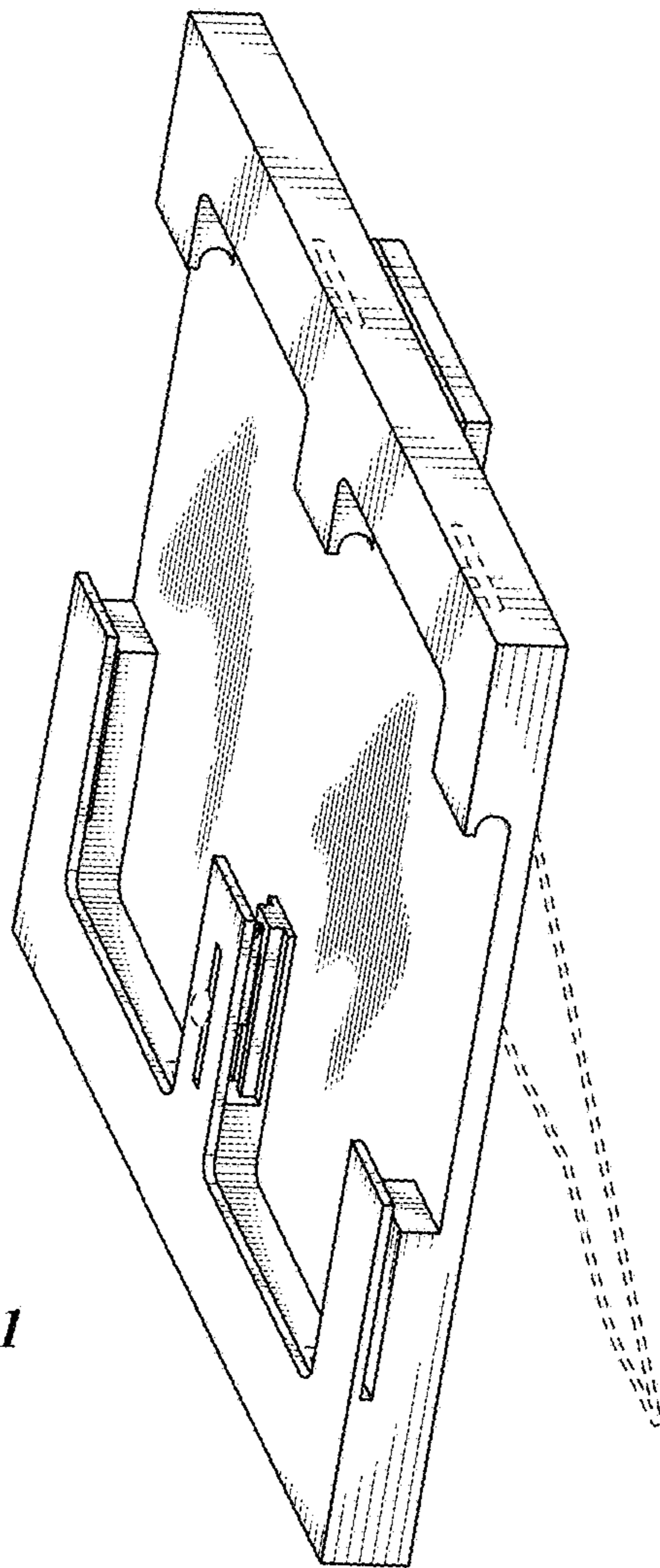
**DESCRIPTION**

FIG. 1 is a perspective view of the adjustable dual mobile  
device holder and stand showing the new design;  
FIG. 2 is a front elevational view of the adjustable dual  
mobile device holder and stand thereof;  
FIG. 3 is a rear elevational view of the adjustable dual  
mobile device holder and stand thereof;  
FIG. 4 is a top plan view of the adjustable dual mobile  
device holder and stand thereof;  
FIG. 5 is a bottom plan view of the adjustable dual mobile  
device holder and stand thereof;  
FIG. 6 is a left side elevational view of the adjustable dual  
mobile device holder and stand thereof;  
FIG. 7 is a right side elevational view of the adjustable dual  
mobile device holder and stand thereof;  
FIG. 8 is a cross-sectional view of the adjustable dual mobile  
device holder and stand thereof; and,  
FIG. 9 is a cross-sectional view of the adjustable dual mobile  
device holder and stand thereof.

The broken lines in the drawings illustrate environmental  
subject matter and form no part of the claimed design.

**1 Claim, 6 Drawing Sheets**





*FIG. 1*

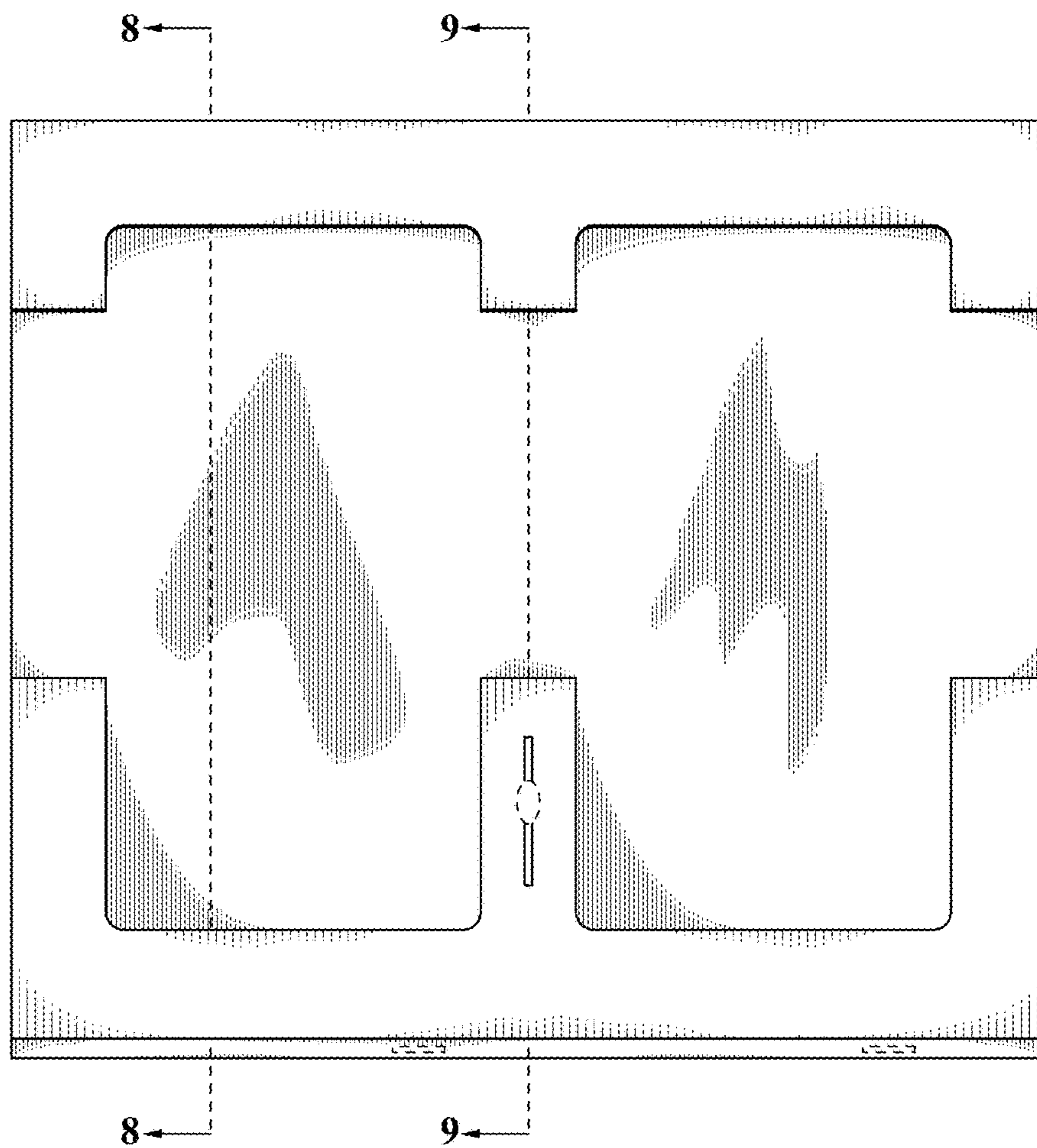


FIG. 2

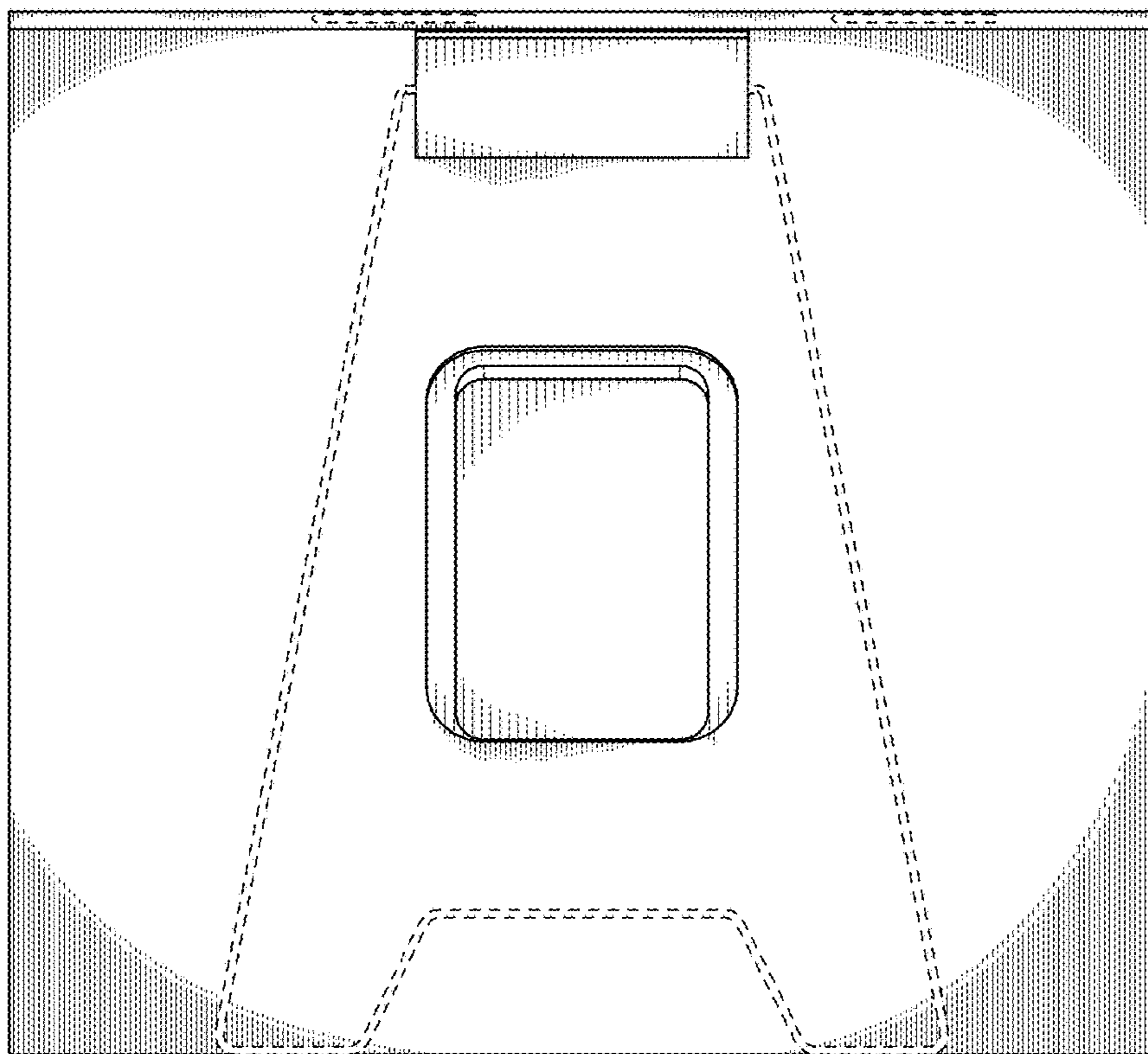
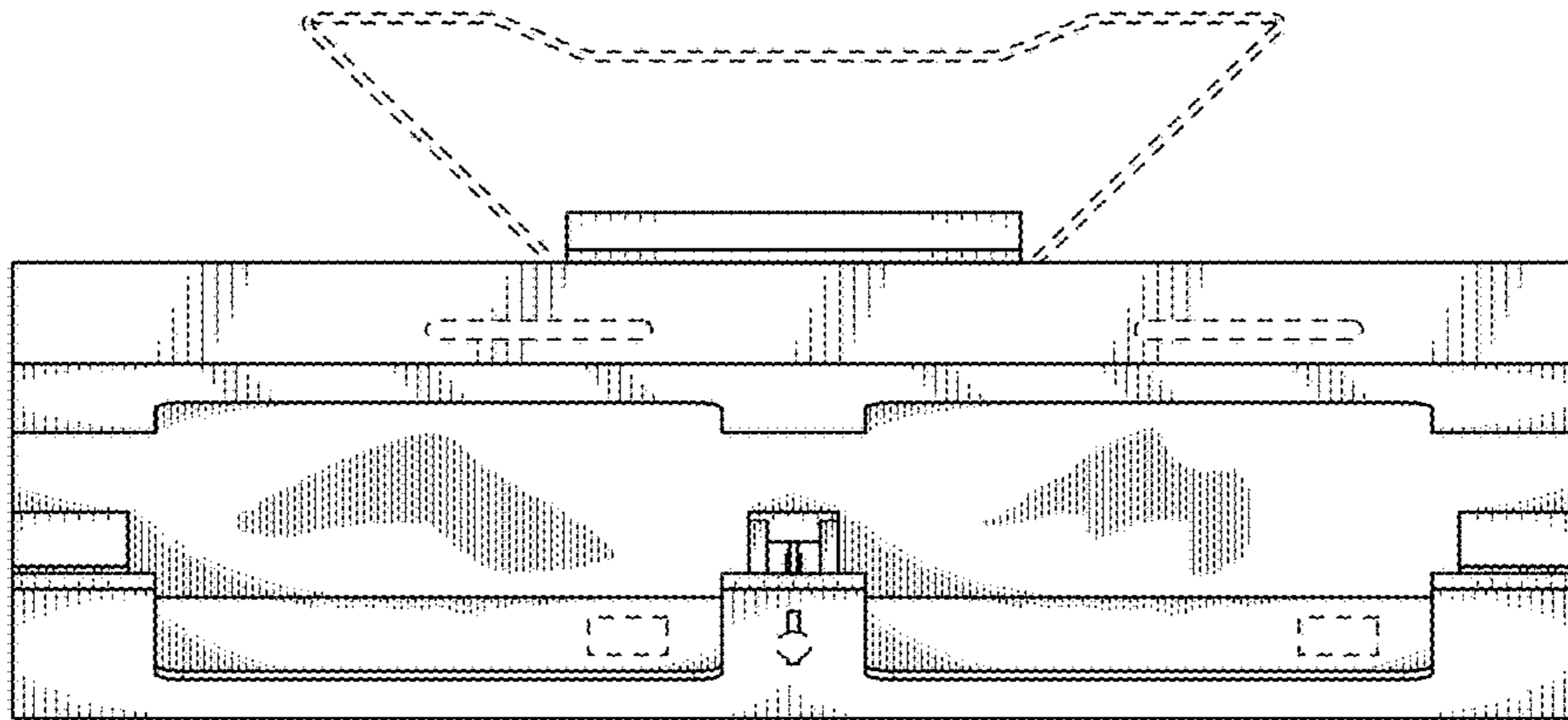
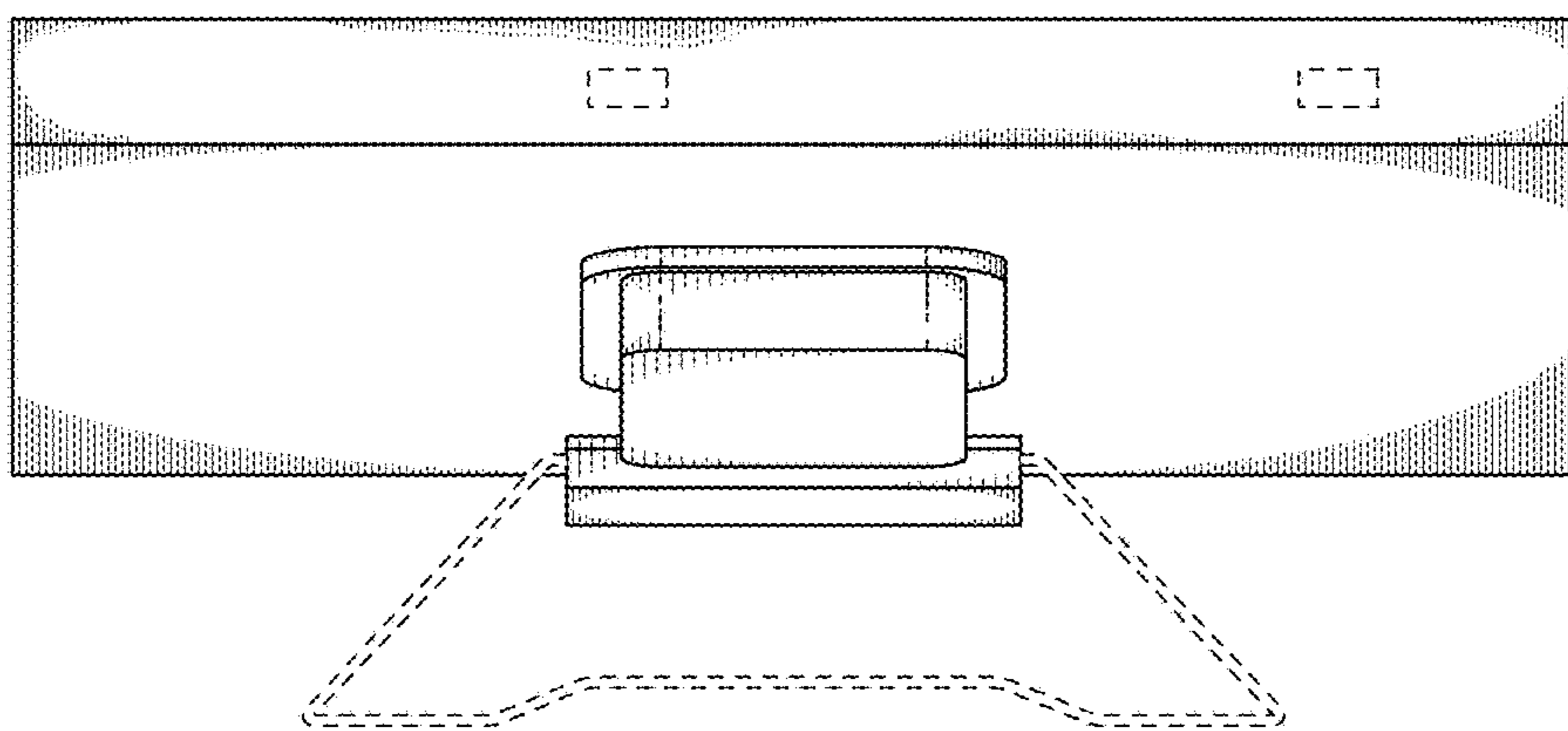


FIG. 3



*FIG. 4*



*FIG. 5*

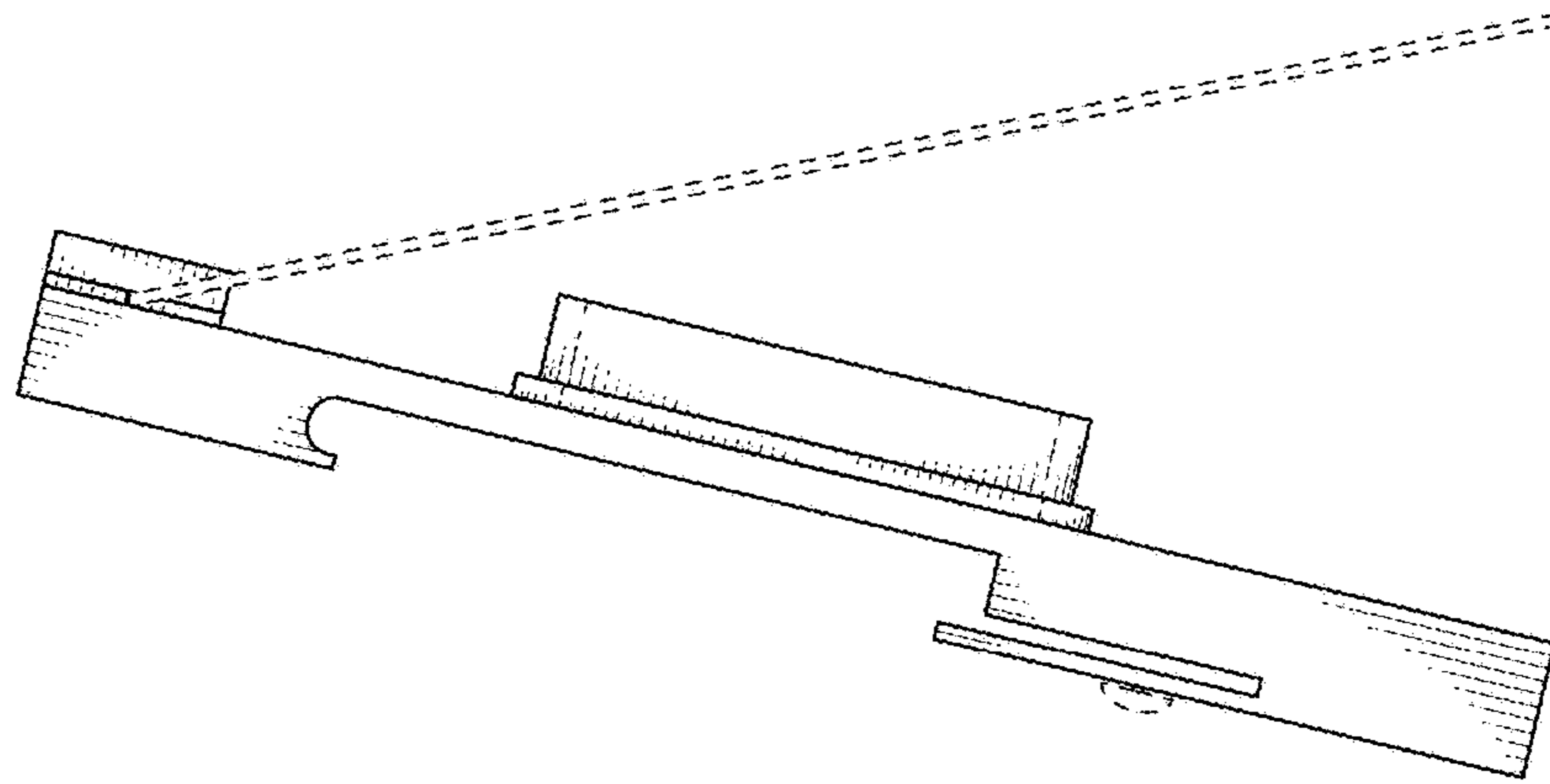


FIG. 7

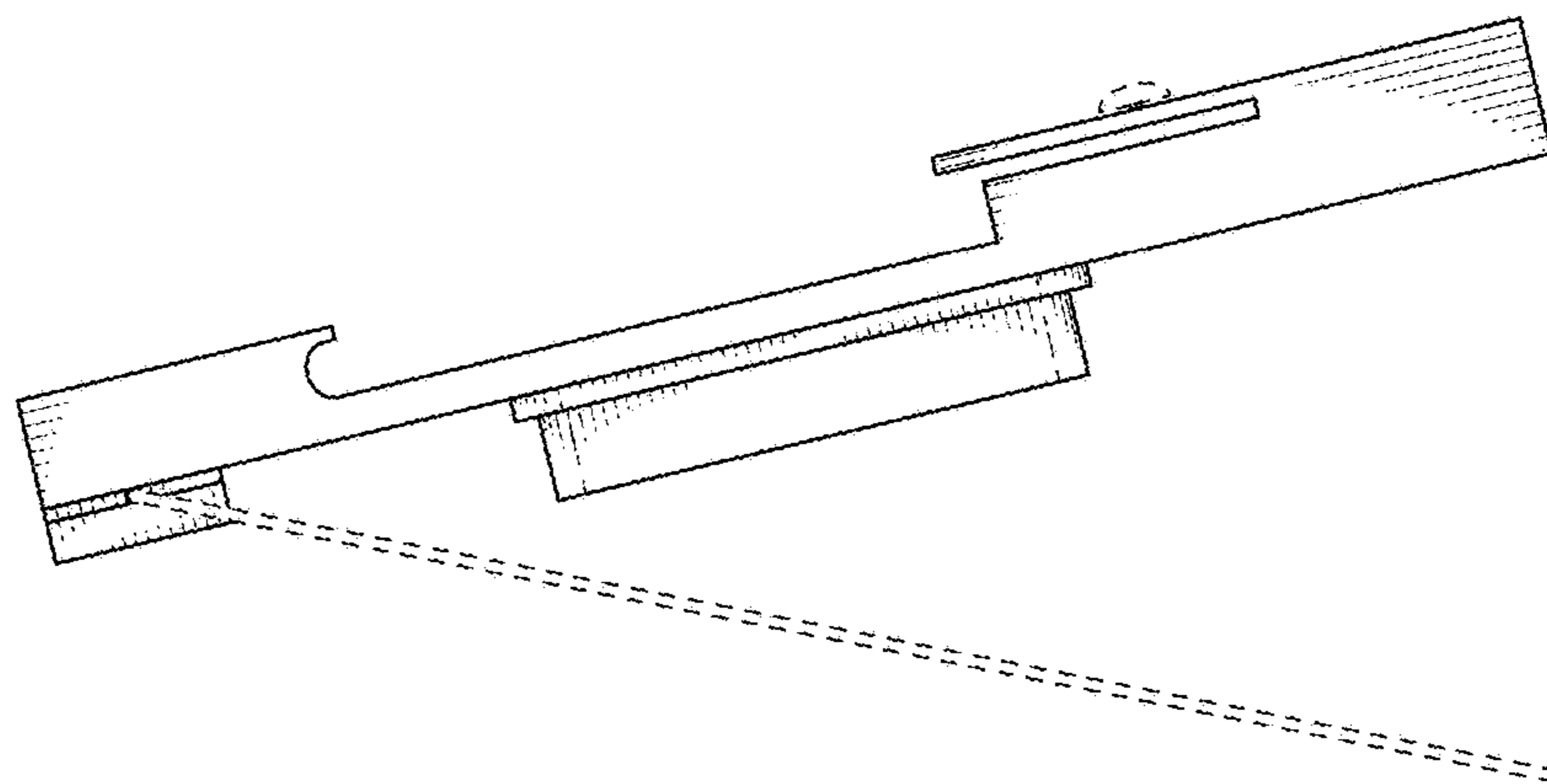


FIG. 6

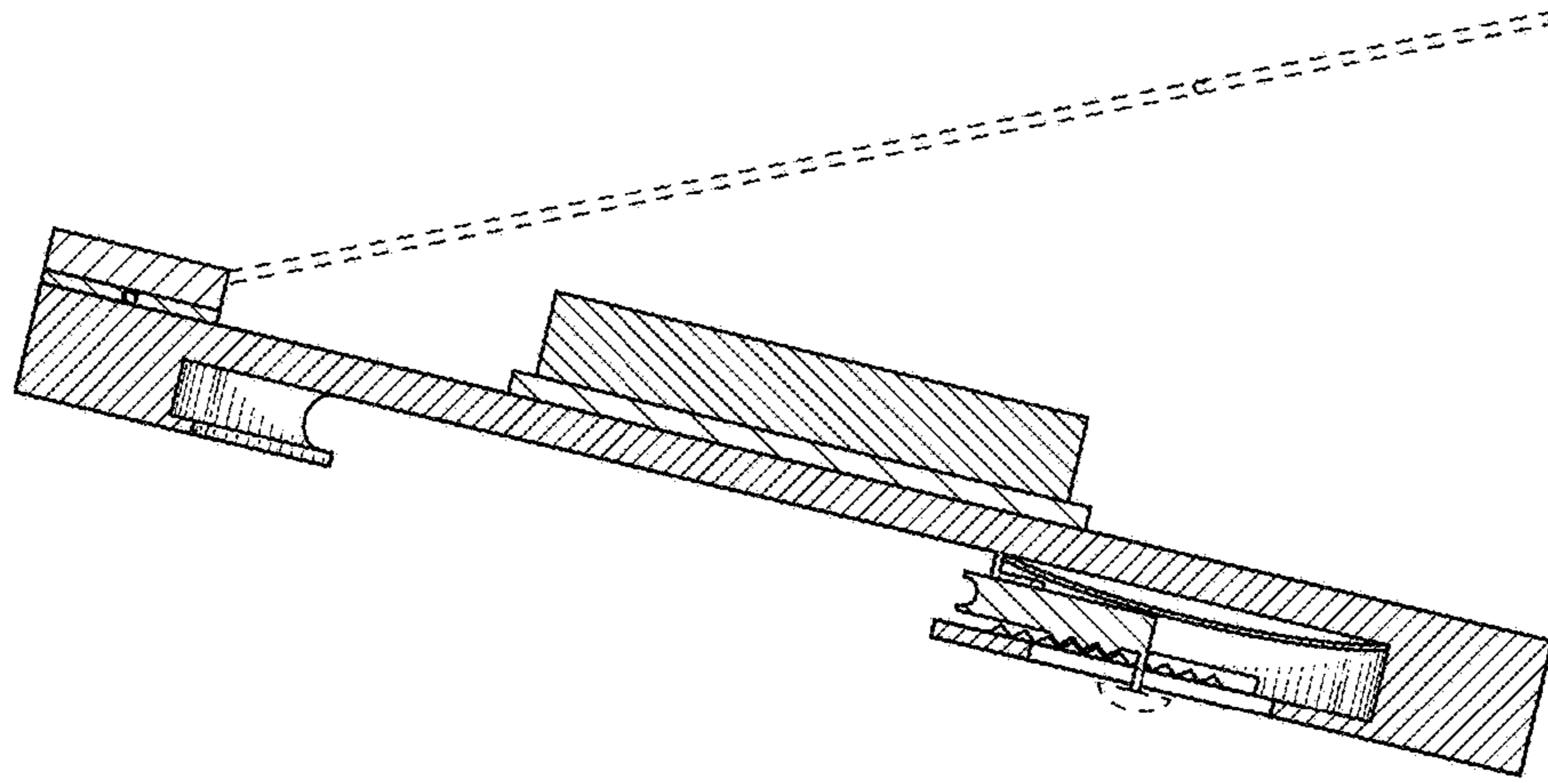


FIG. 9

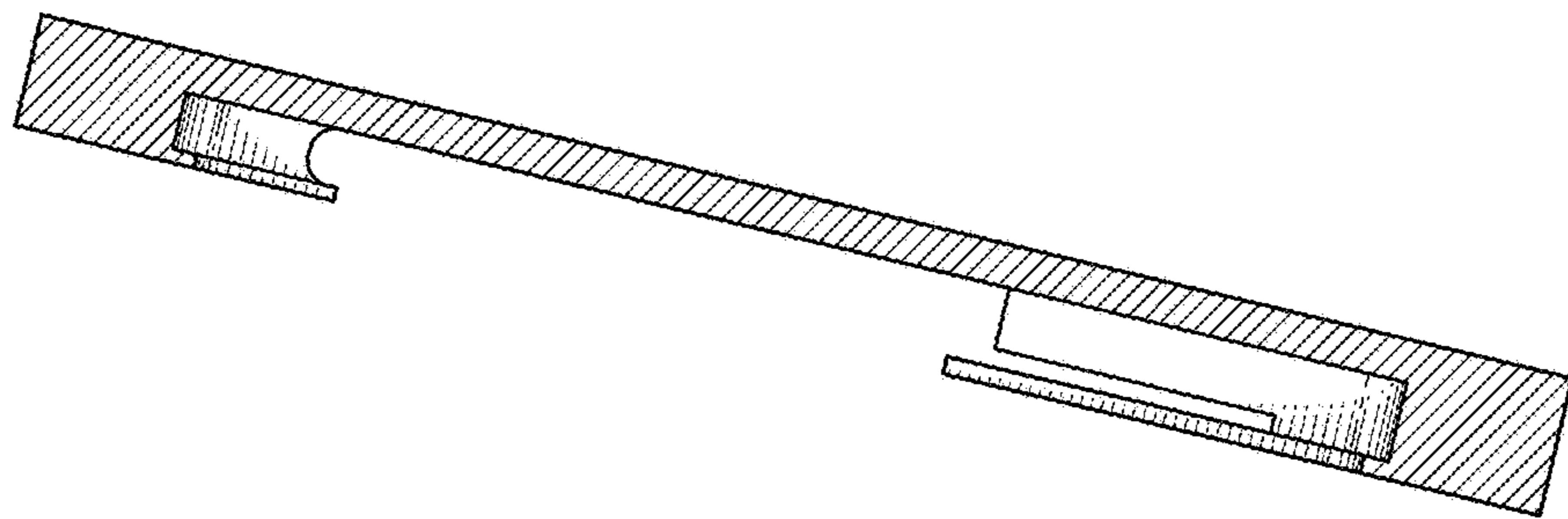


FIG. 8