



US00D865769S

(12) **United States Design Patent**  
**Lu**

(10) **Patent No.:** **US D865,769 S**

(45) **Date of Patent:** **\*\* Nov. 5, 2019**

(54) **DOCKING STATION FOR RUGGED LAPTOP COMPUTER**

<https://sobjprd.questel.fr/export/QPTUJ214/pdf2/6dc9e635-4f5b-43bd-a379-0abf5b48c906-222002.pdf>\*

(71) Applicant: **GETAC TECHNOLOGY CORPORATION**, Hsinchu County (TW)

*Primary Examiner* — Marie D. Fast Horse

(72) Inventor: **Wei-Sen Lu**, Taipei (TW)

(57) **CLAIM**

(73) Assignee: **GETAC TECHNOLOGY CORPORATION**, Hsinchu County (TW)

The ornamental design is for a docking station for rugged laptop computer, as shown and described.

(\*\*) Term: **15 Years**

**DESCRIPTION**

(21) Appl. No.: **29/656,643**

FIG. 1 is a top, front and right side perspective view showing a first embodiment of my new design;

(22) Filed: **Jul. 13, 2018**

FIG. 2 is a top, rear and left side perspective view thereof;

(51) **LOC (12) Cl.** ..... **14-02**

FIG. 3 is a front view thereof;

(52) **U.S. Cl.**

FIG. 4 is a rear view thereof;

USPC ..... **D14/434**

FIG. 5 is a left side view thereof;

(58) **Field of Classification Search**

USPC ..... D14/434, 356, 358, 447, 496, 149, 221, D14/224, 224.1, 238.1, 240, 251, 252, D14/253, 209.1, 217, 168, 172; D13/107, D13/108

FIG. 6 is a right side view thereof;

CPC ..... G06F 1/16; G06F 1/1616; G06F 1/1626; G06F 1/1632; G06F 1/1675; G06F 1/1688; F16M 11/10; F16M 11/24; H05K 5/0234; H04M 1/04

FIG. 7 is a top view thereof;

See application file for complete search history.

FIG. 8 is a bottom view thereof;

FIG. 9 is a reference perspective view of a rugged laptop computer installed on my new design;

(56) **References Cited**

**U.S. PATENT DOCUMENTS**

D359,034 S \* 6/1995 Kondo ..... D14/434  
D362,241 S \* 9/1995 Youens ..... D14/434  
D362,663 S \* 9/1995 Nguyen ..... D14/434

FIG. 10 is a top, front and right side perspective view showing a second embodiment of my new design, the only difference being the absence of the lock, it being understood that all other surfaces are the same as those of the first embodiment;

FIG. 11 is a top, rear and left side perspective view thereof;

FIG. 12 is a front view thereof;

FIG. 13 is a rear view thereof;

FIG. 14 is a left side view thereof;

FIG. 15 is a right side view thereof;

FIG. 16 is a top view thereof;

FIG. 17 is a bottom view thereof; and,

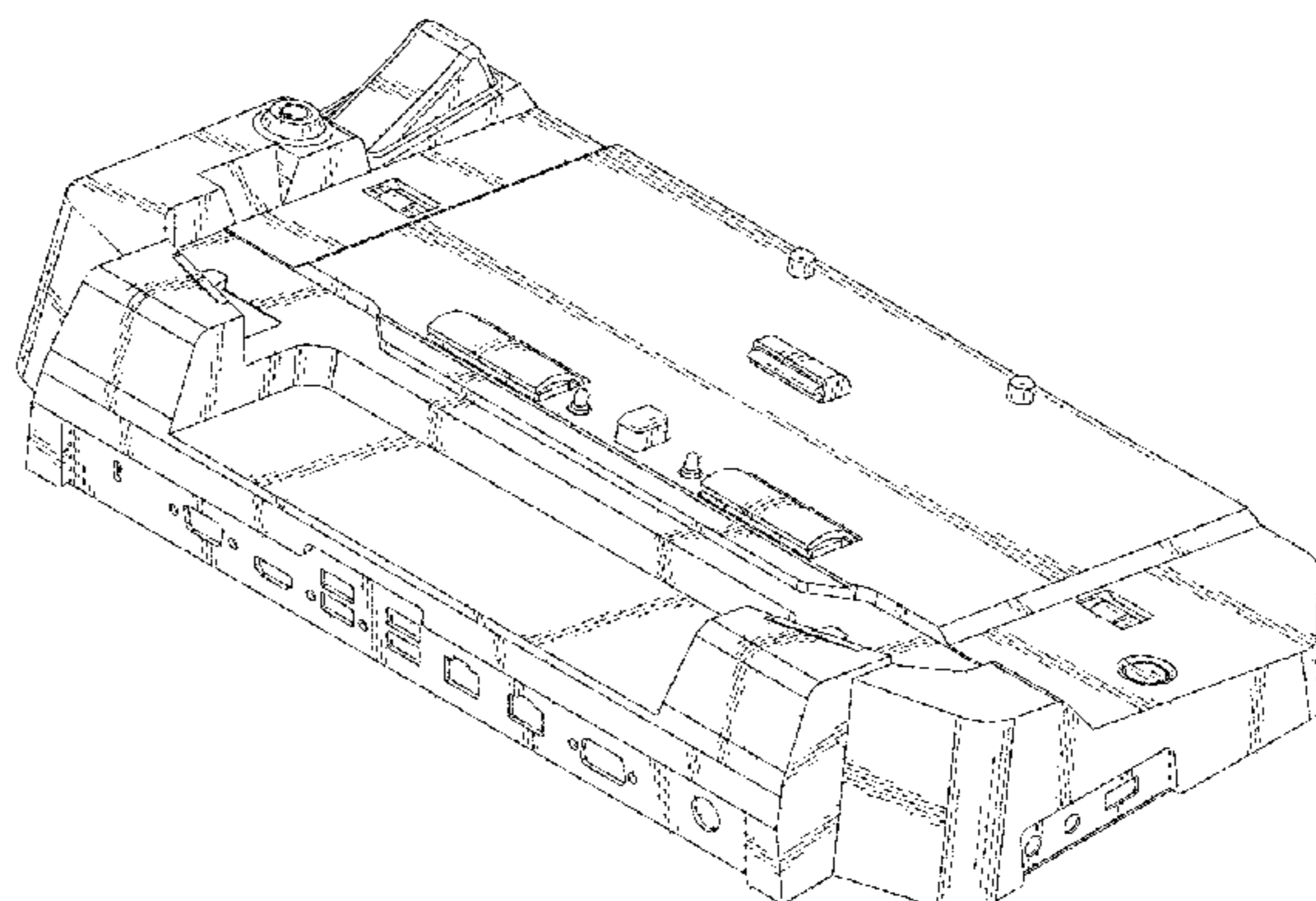
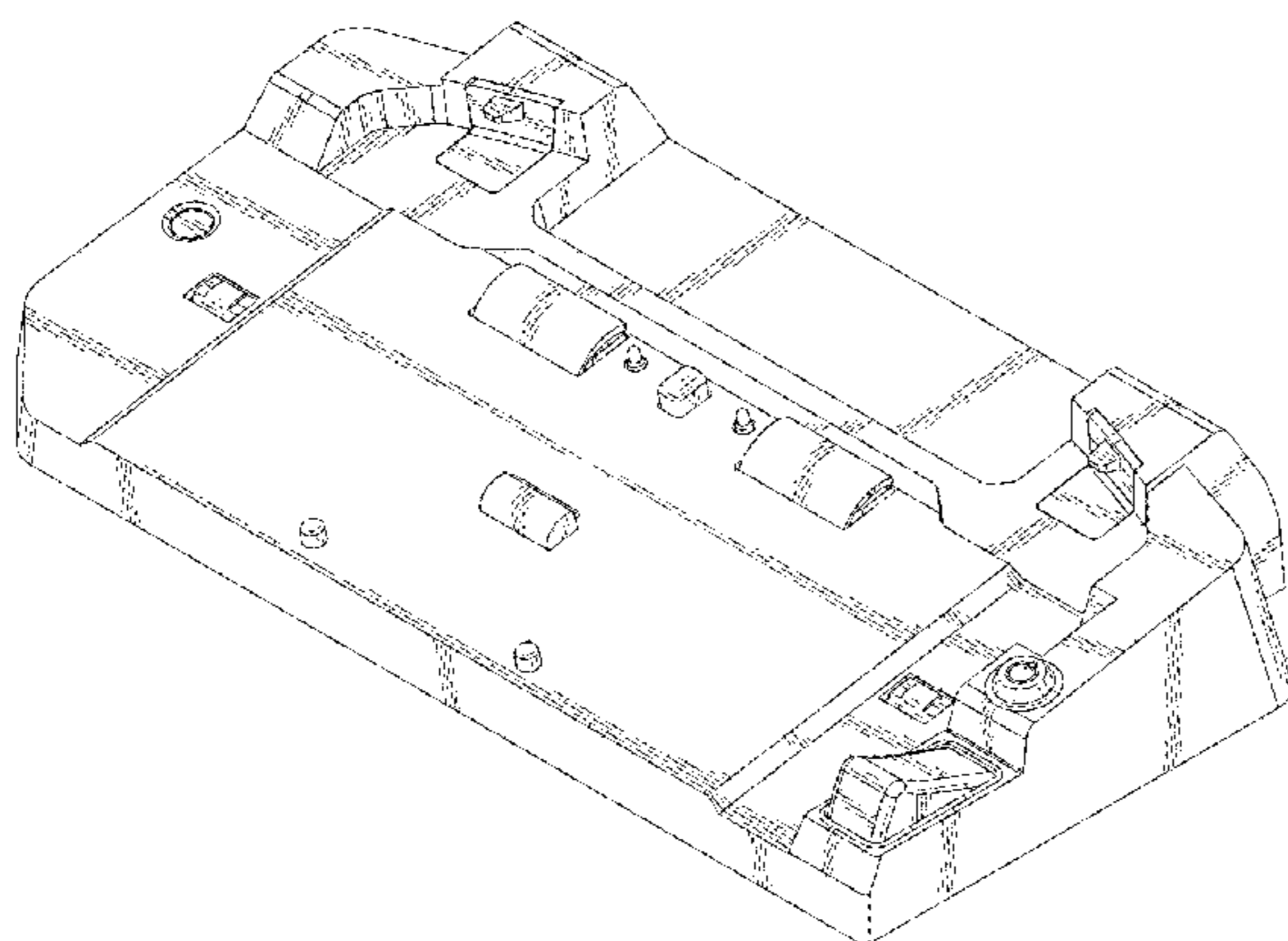
FIG. 18 is a reference perspective view of a rugged laptop computer installed on my new design.

The broken lines are directed to environment and are for illustrative purposes only. The broken lines form no part of the claimed design.

**OTHER PUBLICATIONS**

Docking stations. (Design—© Questel) orbit.com. [online PDF] 10 pgs. Print Dates Jul. 11, 2018. [Retrieved on Aug. 14, 2019]

**1 Claim, 14 Drawing Sheets**



(56)

## References Cited

## U.S. PATENT DOCUMENTS

D394,247 S \* 5/1998 Kondo ..... D14/434  
D400,515 S \* 11/1998 Shima ..... D14/433  
D413,108 S \* 8/1999 Suzuki ..... D14/434  
D413,312 S \* 8/1999 Suzuki ..... D14/434  
D504,893 S \* 5/2005 Araki ..... D14/434  
D505,958 S \* 6/2005 Cheng ..... D14/434  
D552,688 S \* 10/2007 Hussaini ..... D14/434  
D561,186 S \* 2/2008 Kawase ..... D14/434  
7,359,185 B2 \* 4/2008 Hiroyoshi ..... G06F 1/1632  
312/223.3  
D692,437 S \* 10/2013 Sugino ..... D14/447  
D730,905 S \* 6/2015 Li ..... D14/434  
D732,036 S \* 6/2015 Lee ..... D14/434  
D771,051 S \* 11/2016 Beck ..... D14/434  
D780,762 S \* 3/2017 Ju ..... D14/434  
D789,371 S \* 6/2017 Iwamoto ..... D14/433  
D797,669 S \* 9/2017 Chang ..... D13/108  
D801,976 S \* 11/2017 Li ..... D14/440  
D803,220 S \* 11/2017 Li ..... D14/440  
D844,617 S \* 4/2019 Huhne ..... D14/434  
10,248,162 B1 \* 4/2019 Cheng ..... G06F 1/1632  
10,303,216 B1 \* 5/2019 Powell ..... G06F 1/1654  
10,348,026 B1 \* 7/2019 Cheng ..... H01R 13/447  
2016/0236493 A1 \* 8/2016 Lyman ..... G06F 1/1632  
2018/0046218 A1 \* 2/2018 Iwamoto ..... G06F 1/1632  
2018/0046222 A1 \* 2/2018 Iwamoto ..... G06F 1/1632

\* cited by examiner

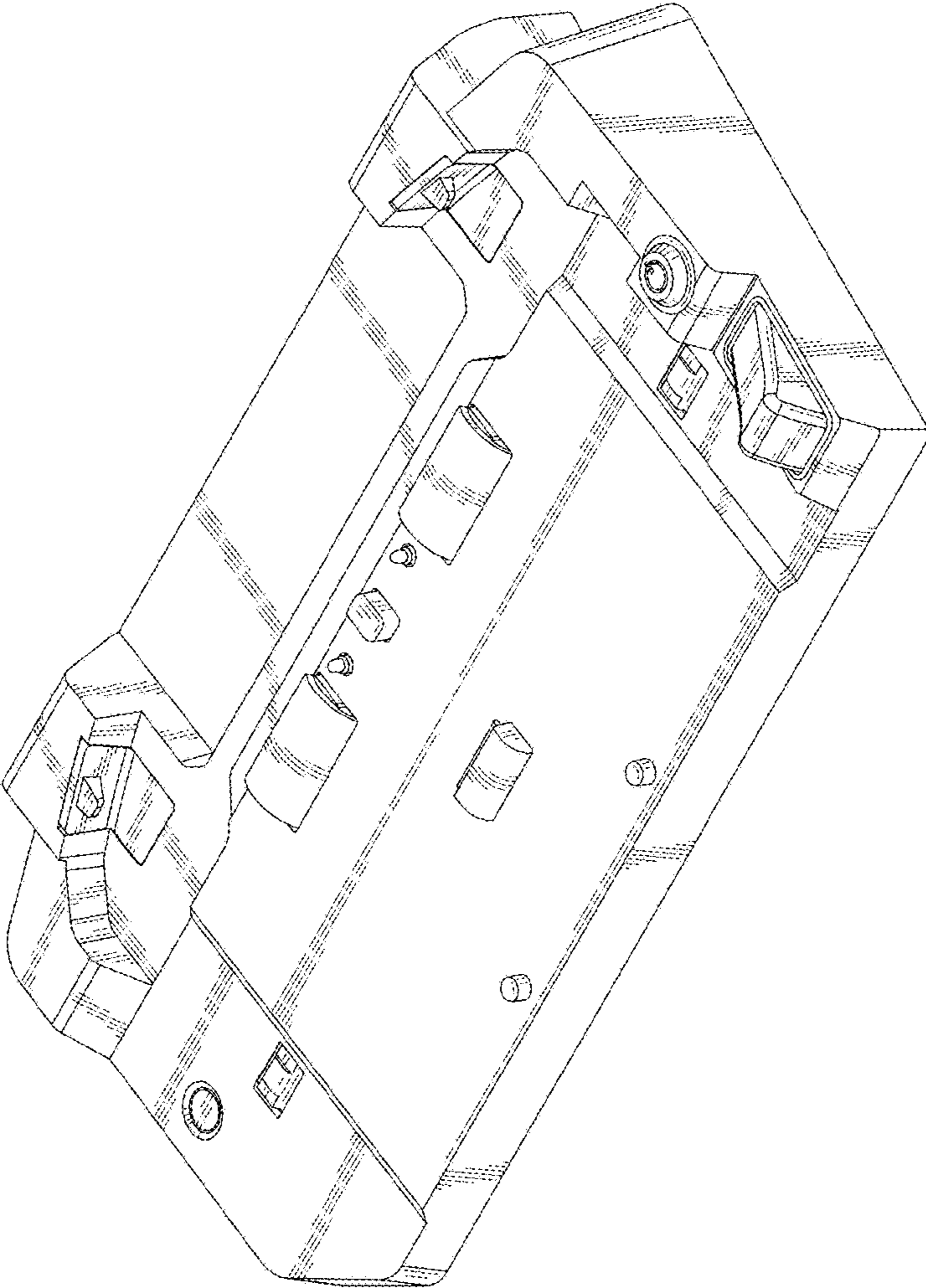


FIG. 1

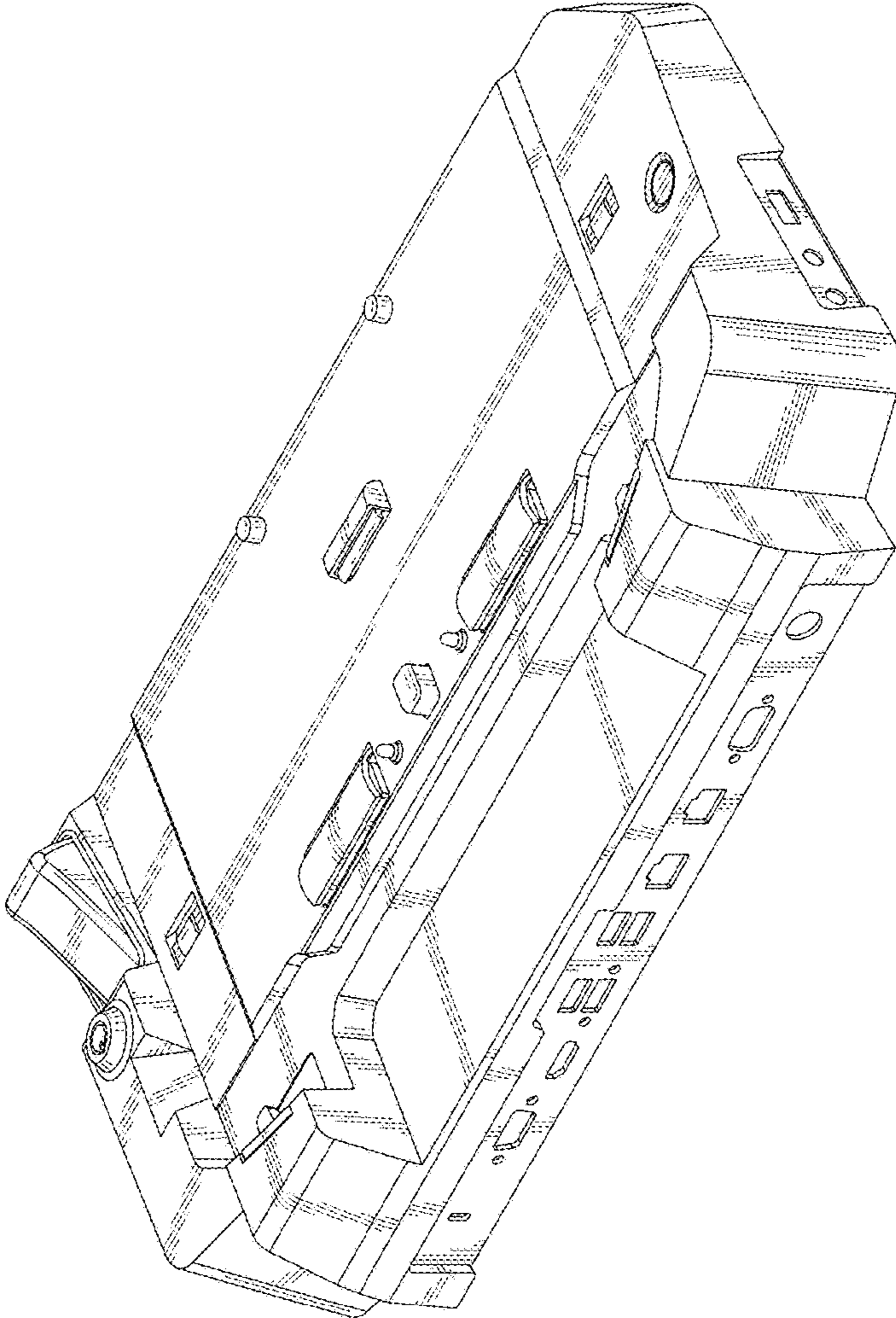


FIG. 2

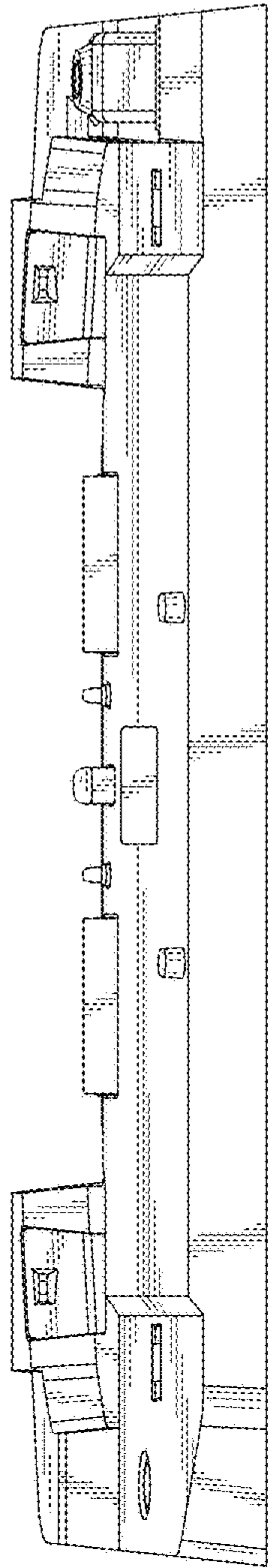


FIG. 3

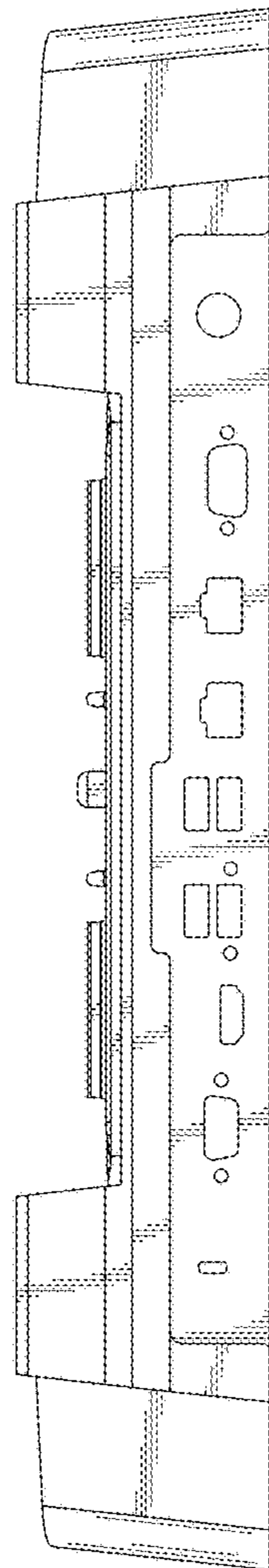


FIG. 4

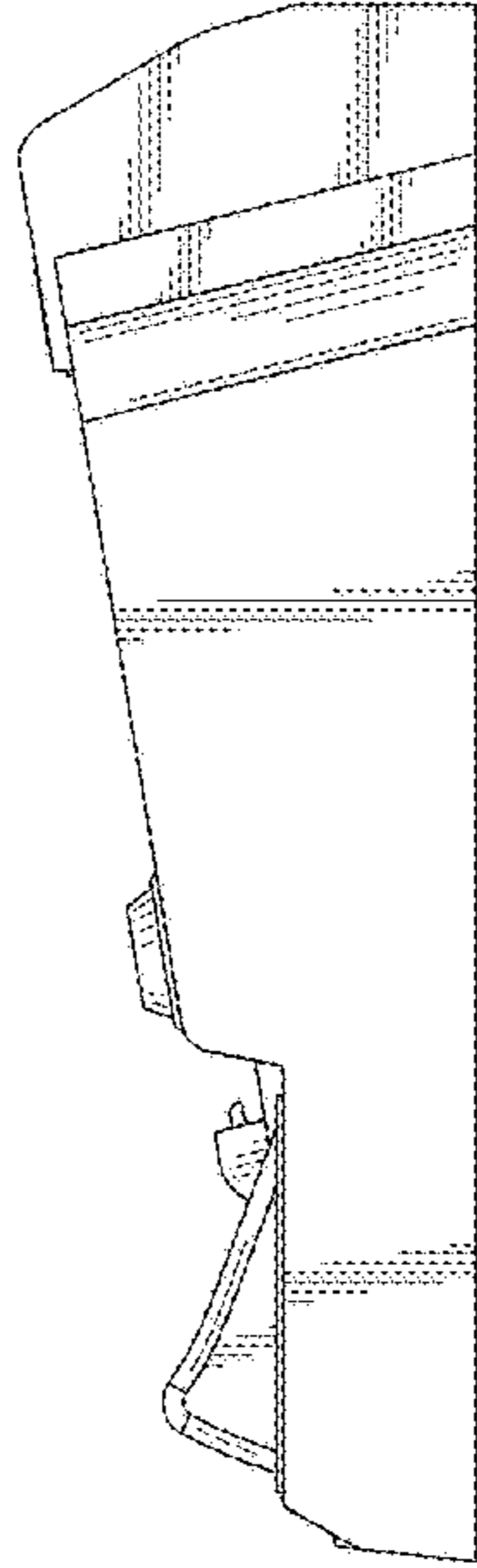


FIG. 6

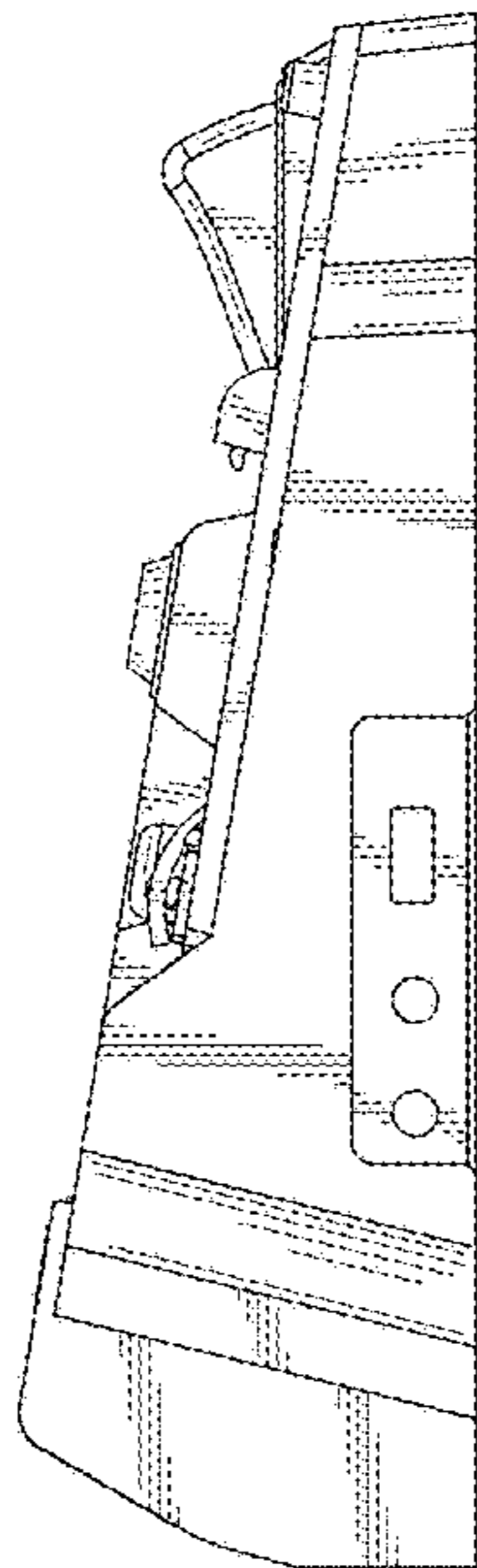


FIG. 5

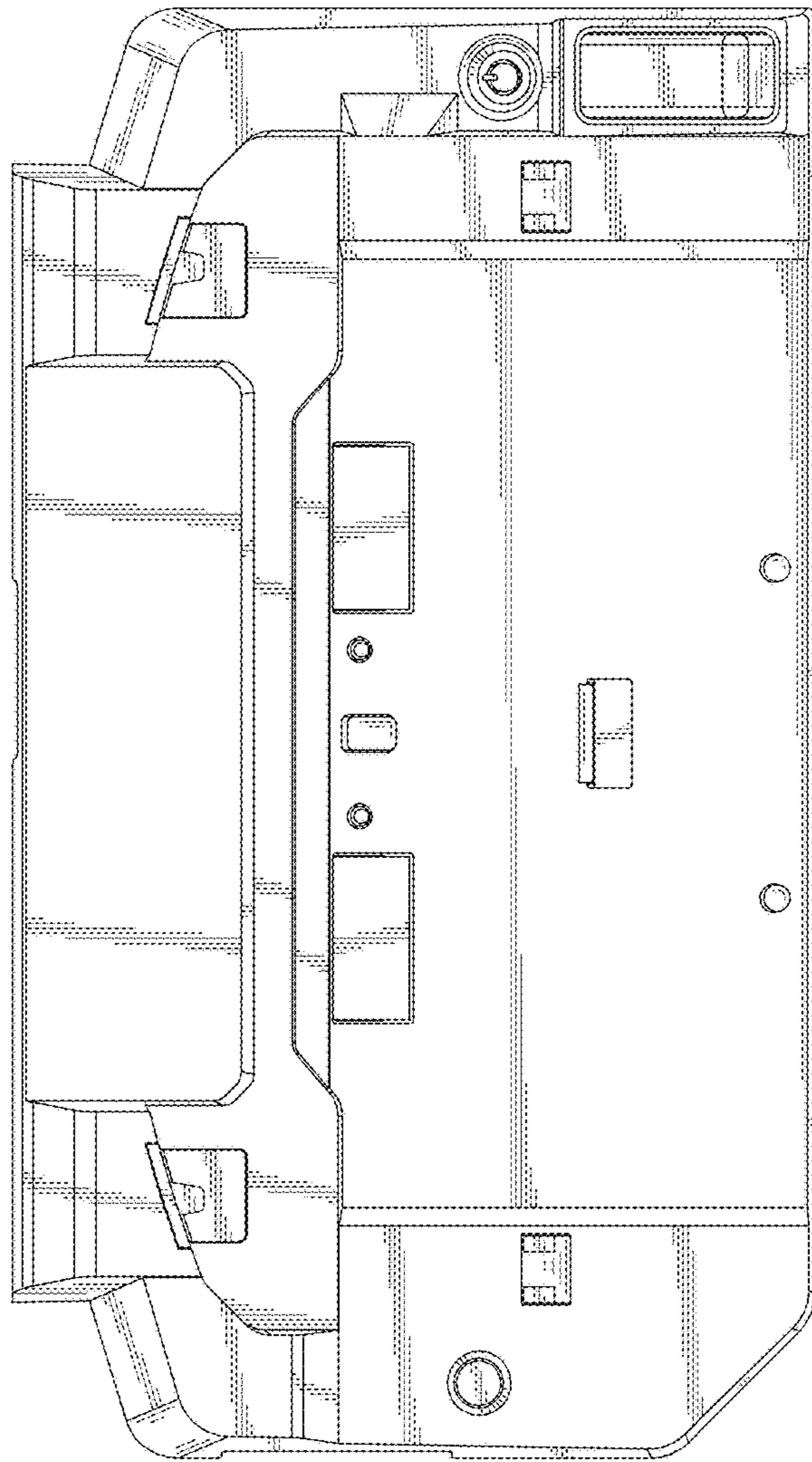


FIG. 7

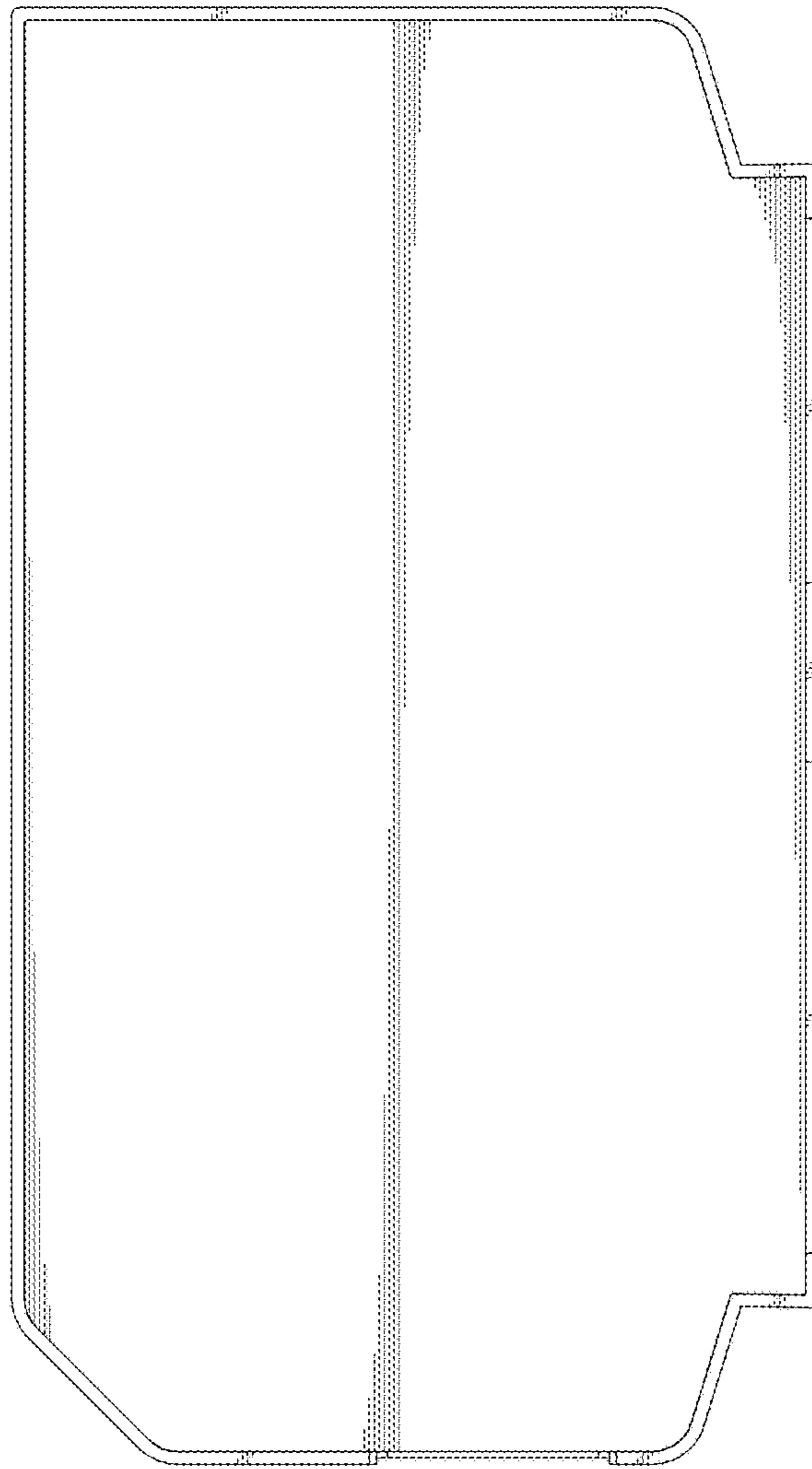


FIG. 8



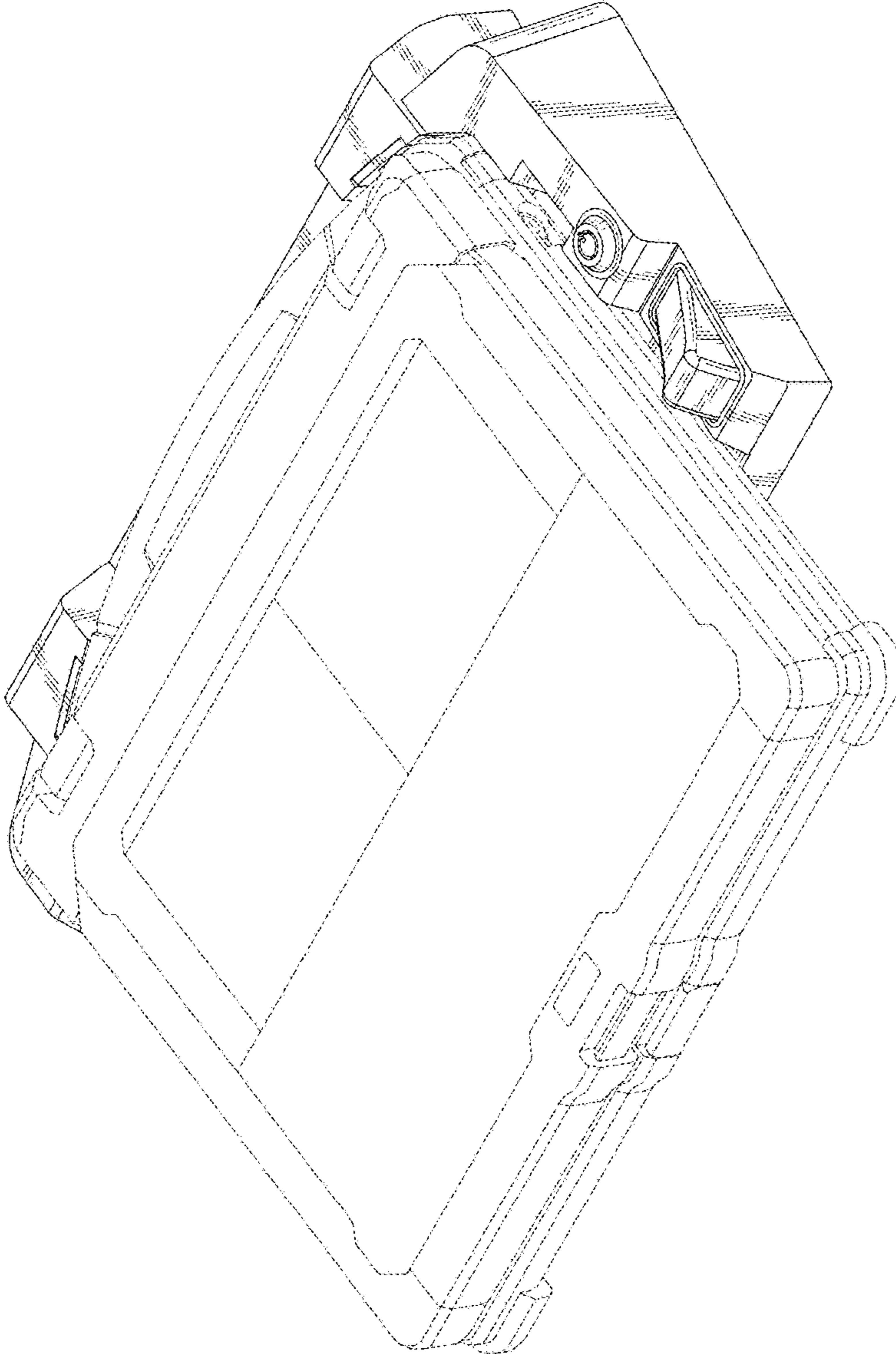


FIG. 9

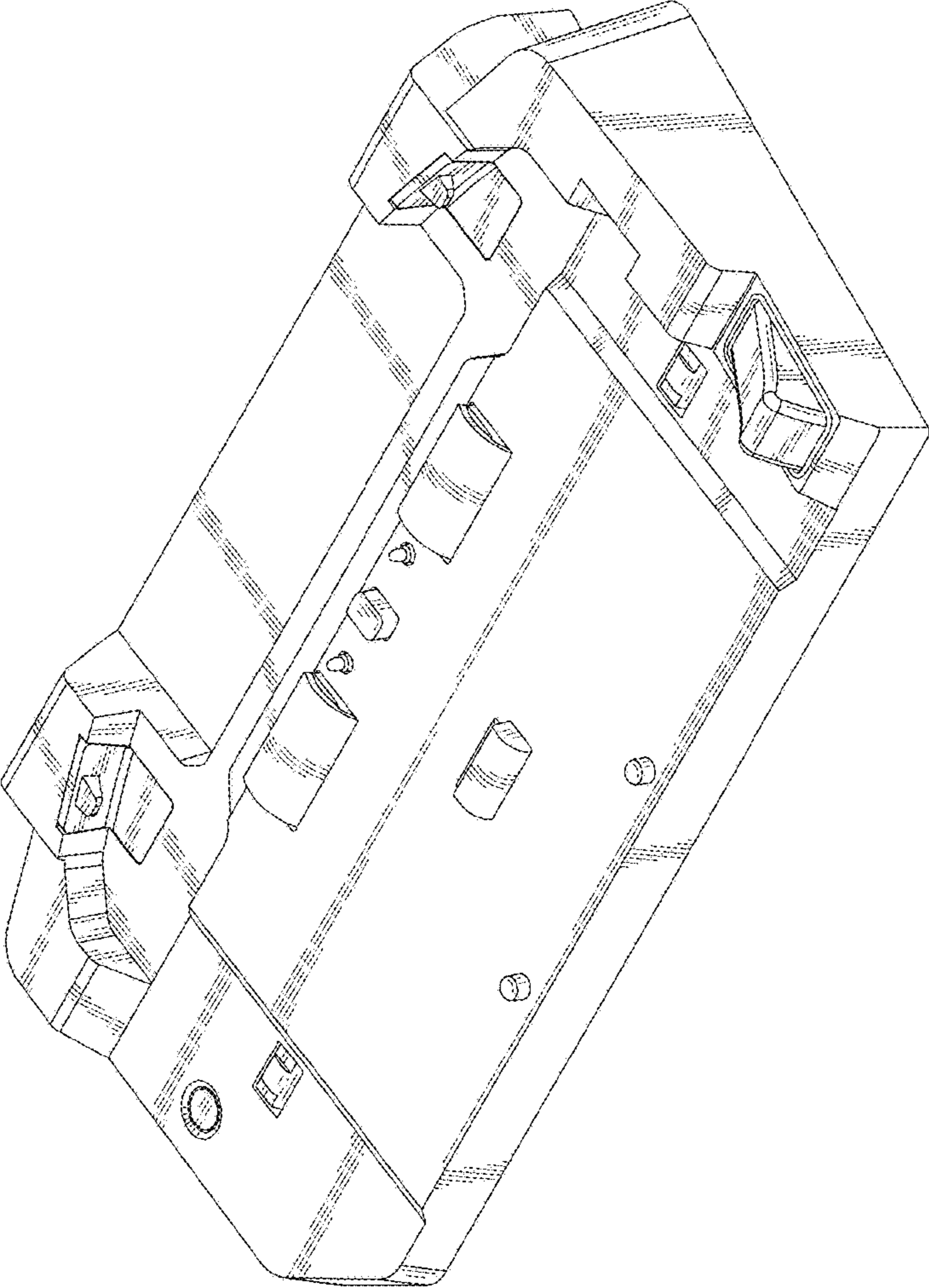


FIG. 10

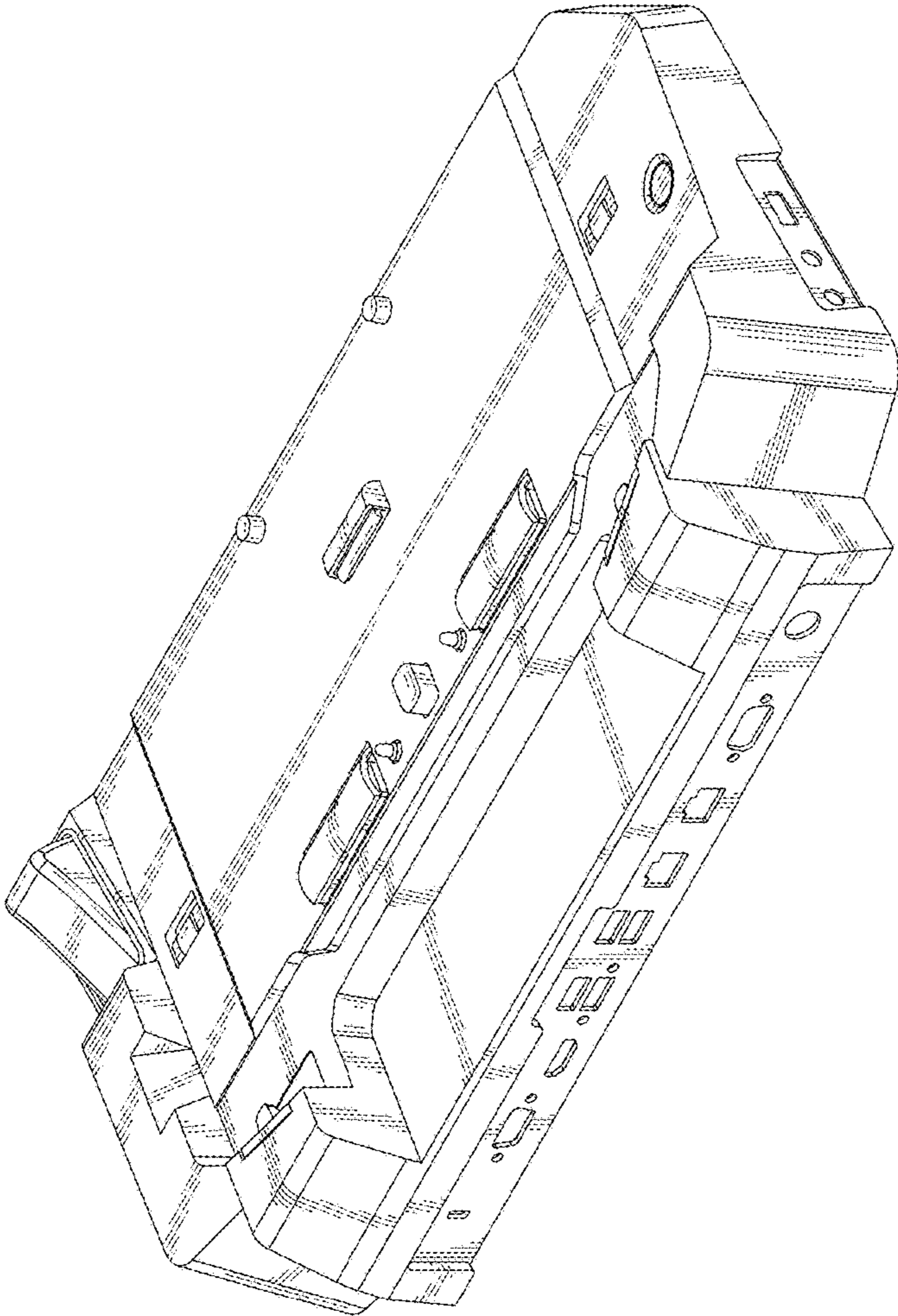


FIG. 11

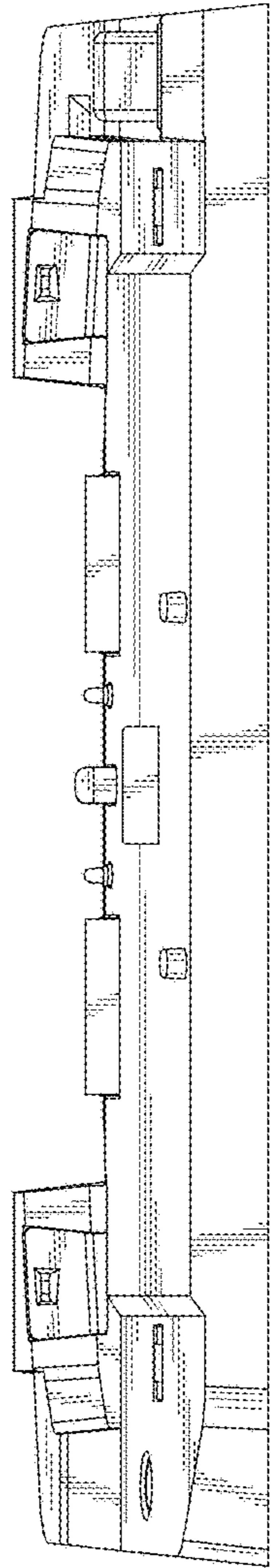


FIG. 12

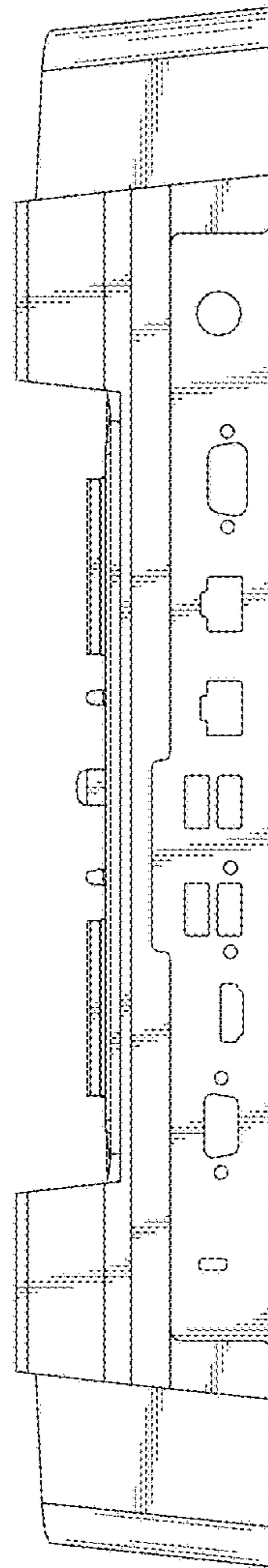


FIG. 13

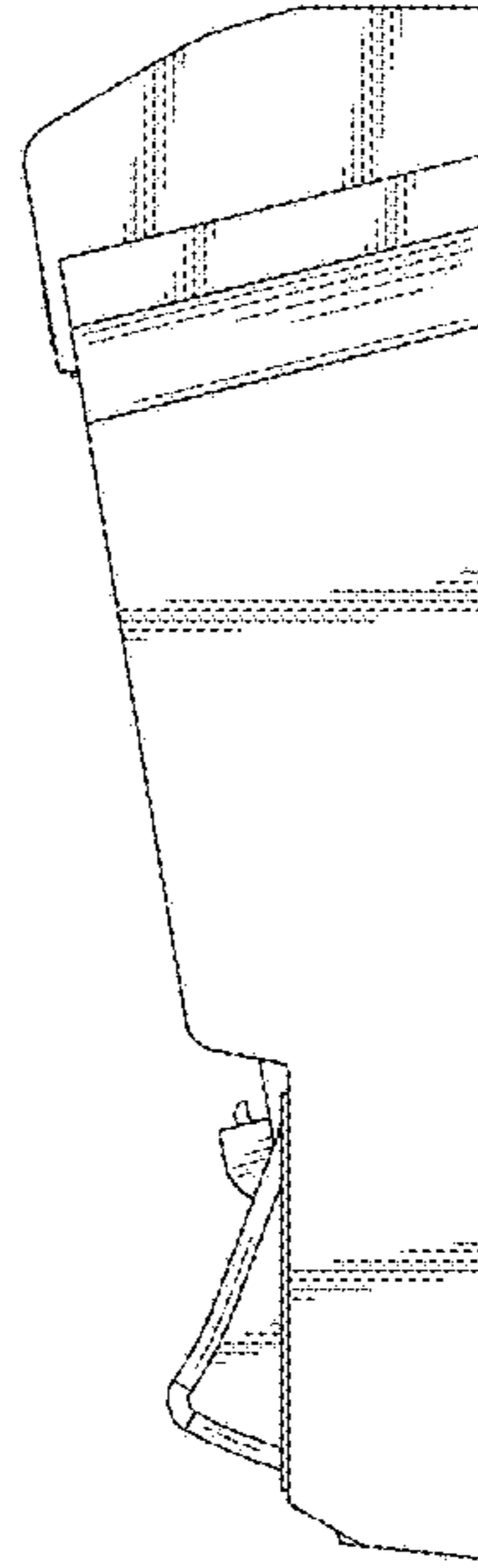


FIG. 15

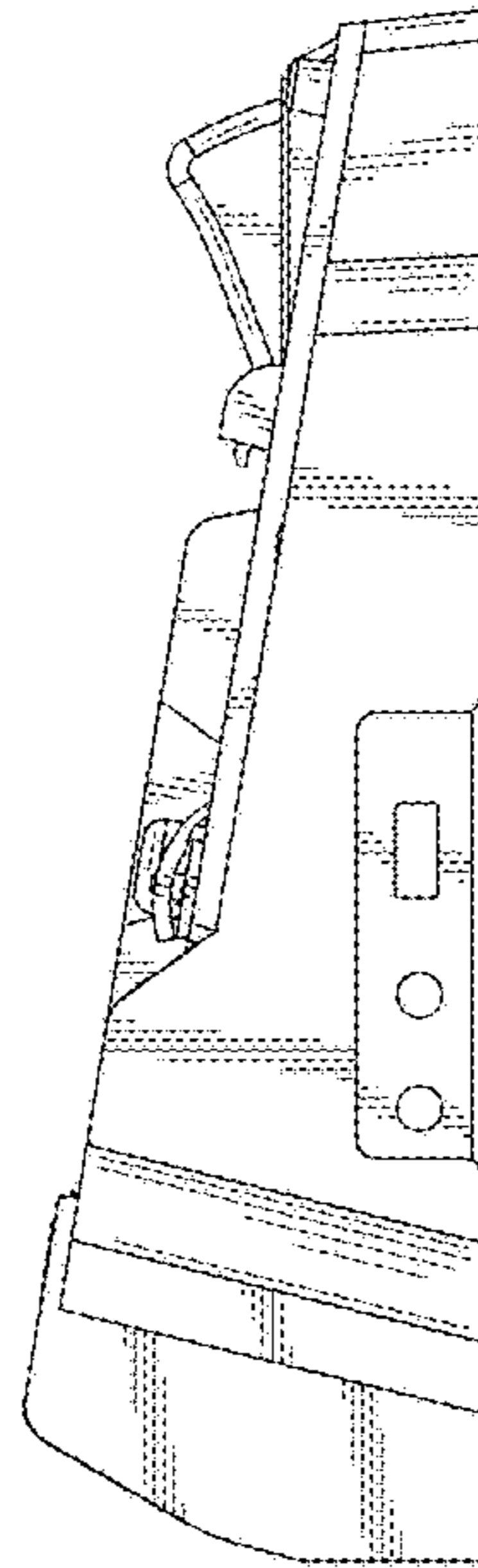


FIG. 14

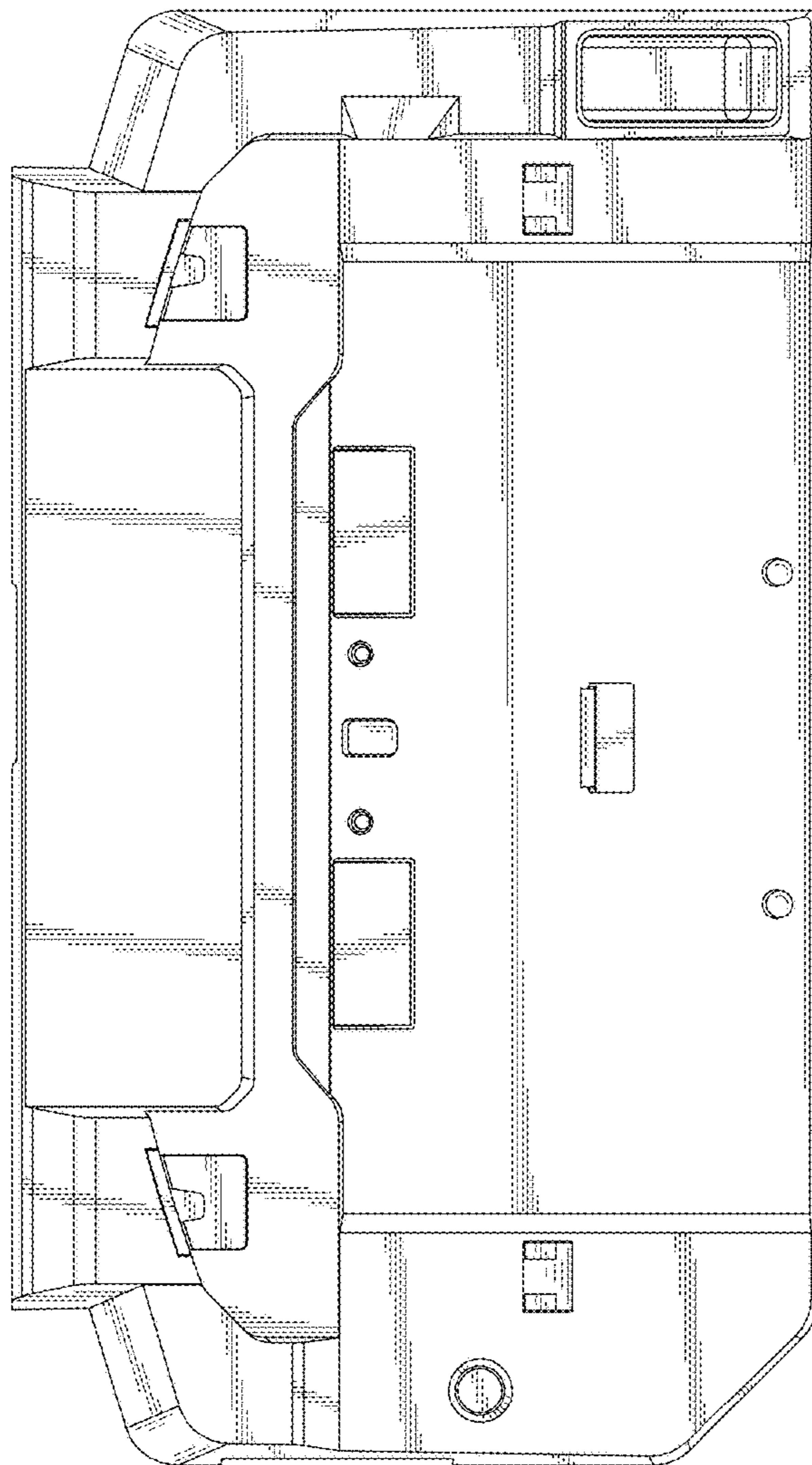


FIG. 16

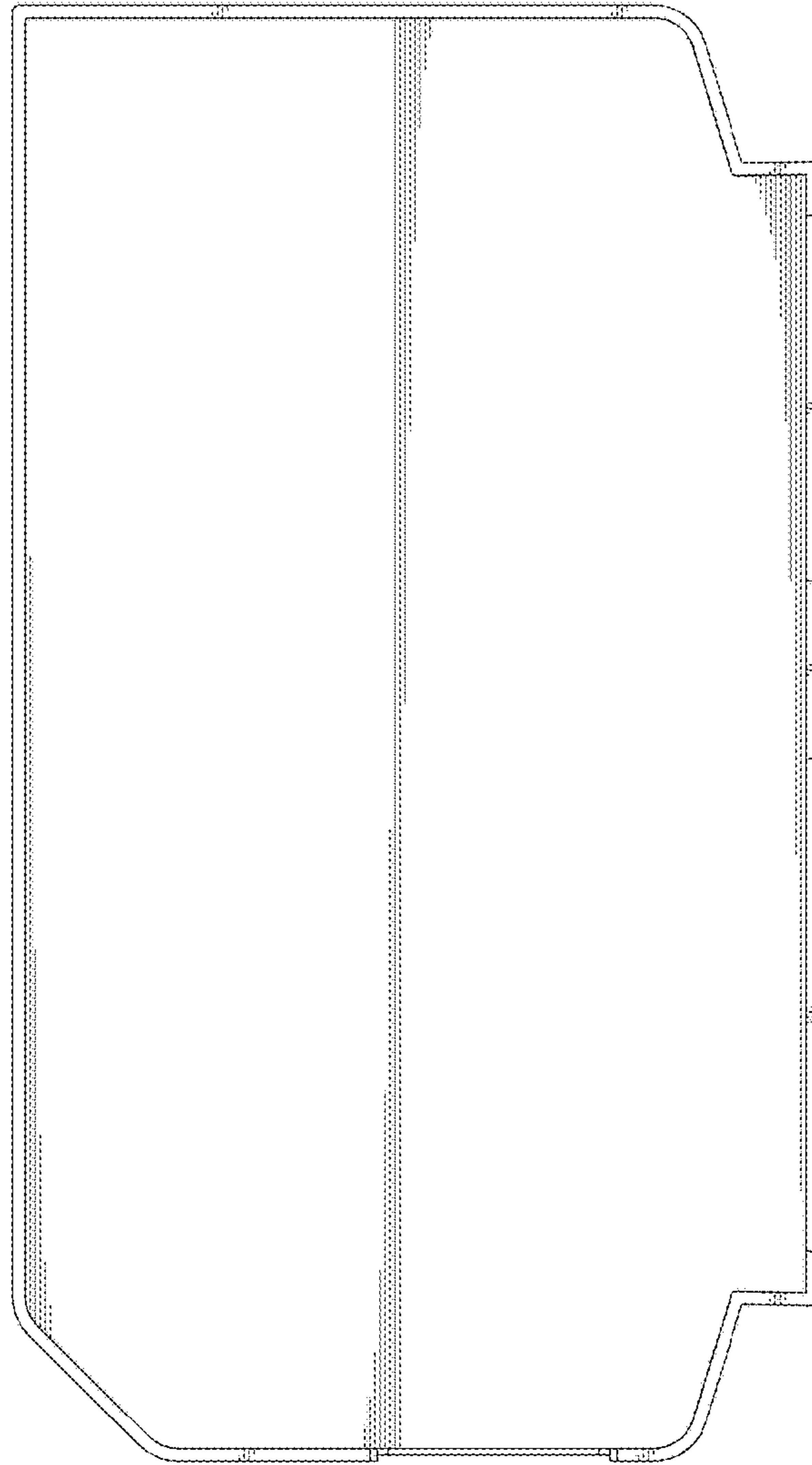


FIG. 17

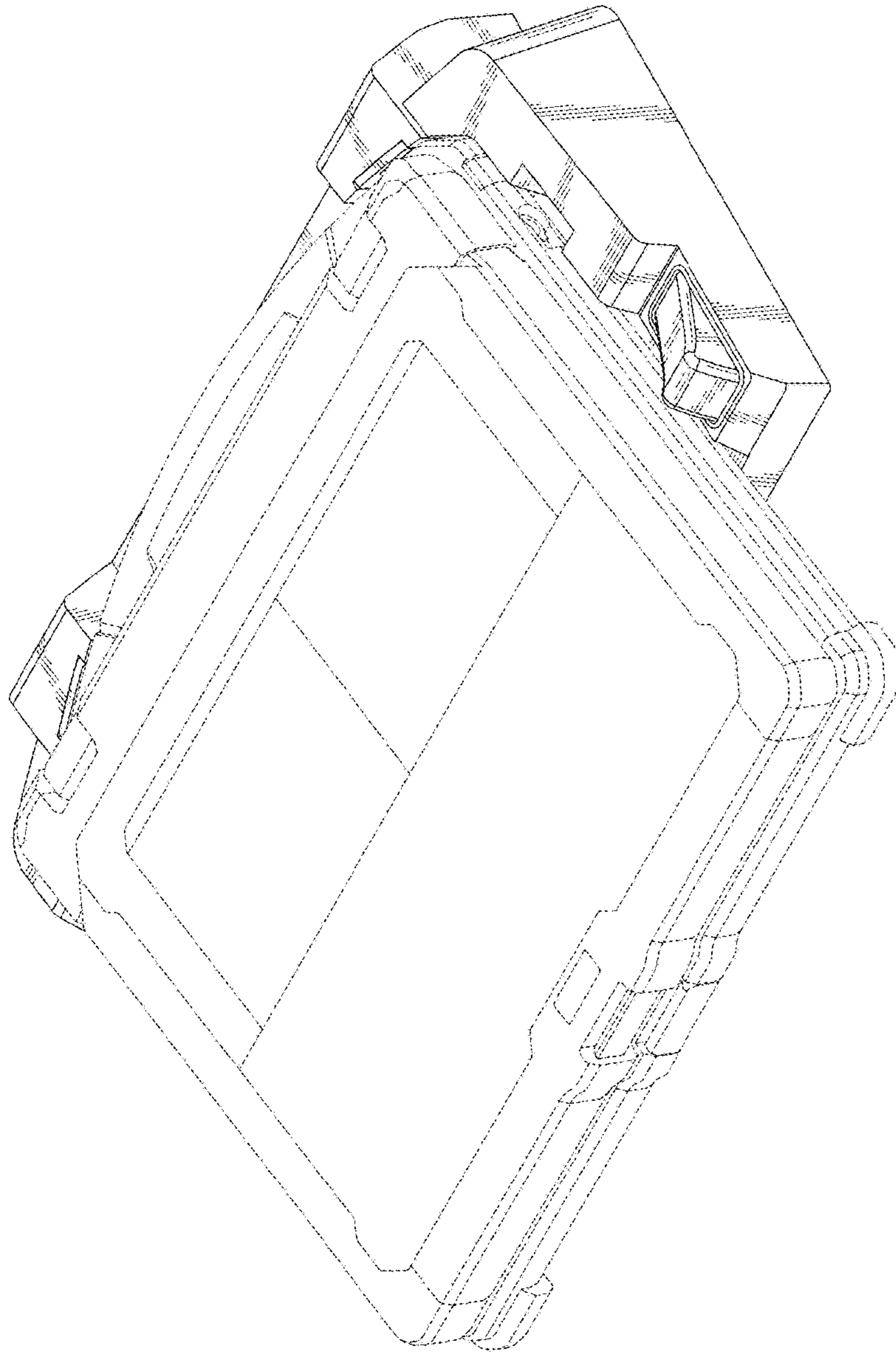


FIG. 18