



US00D865768S

(12) **United States Design Patent** (10) **Patent No.:** **US D865,768 S**
Du et al. (45) **Date of Patent:** **** Nov. 5, 2019**

(54) **MOBILE DOCKING STATION**
(71) Applicant: **Dell Products L.P.**, Round Rock, TX (US)
(72) Inventors: **Hang Du**, Singapore (SG); **Toshiyuki Tanaka**, Mendham, NJ (US); **Benedict Tiong Chee Tay**, Singapore (SG); **Wong Hin Loong Justin**, Singapore (SG)

(73) Assignee: **Dell Products L.P.**, Round Rock, TX (US)

(**) Term: **15 Years**

(21) Appl. No.: **29/635,924**

(22) Filed: **Feb. 5, 2018**

(51) **LOC (12) Cl.** **14-02**

(52) **U.S. Cl.**
USPC **D14/434**; D14/433

(58) **Field of Classification Search**
USPC D14/434, 432, 433, 440, 447, 251–253, D14/451, 452, 454, 125, 140, 142, 149, D14/217, 240, 299, 496, 356, 357, 358, D14/209.1, 171, 435.1; D13/103, 107, D13/108, 118, 119, 110, 123, 184, 133, D13/135; D21/333; D6/512, 672, 682
CPC G06F 1/1616; G06F 1/1626; G06F 1/1632; G06F 1/1688; G06F 13/00; H01M 10/44; F16M 11/10; F16M 11/20; H02J 7/0042; H02J 7/00; H02J 7/0027; H02J 7/0044; H02J 7/0045; H02J 7/355; H02J 7/025; H01R 31/065; H04R 1/025; H04R 5/04
See application file for complete search history.

(56) **References Cited**

U.S. PATENT DOCUMENTS

D383,045 S * 9/1997 Turso D8/38
D386,690 S * 11/1997 Lewis D10/15
D443,590 S * 6/2001 Vende D13/137.4

D456,807 S * 5/2002 Floyd D14/356
D481,392 S * 10/2003 Dyer D14/433
D496,038 S * 9/2004 Floyd D14/356
D497,079 S * 10/2004 Paggio D7/507
D512,064 S * 11/2005 Li D14/403
D512,406 S * 12/2005 Shimizu D14/167
D519,918 S * 5/2006 Wilson D13/103
D558,209 S * 12/2007 Ikeda D14/434

(Continued)

OTHER PUBLICATIONS

Puck Shaped_Electronic Devices. (Design -© Questel) orbit.com. [online PDF] 31 pgs. Print Dates range Jun. 9, 2011 through Aug. 16, 2017 [Retrieved on Nov. 8, 2018] <https://sobjprd.questel.fr/export/QPTUJ214/pdf2/e6442d99-4a67-454e-90a7-aff6e09bc01b-234136.pdf>.*

(Continued)

Primary Examiner — Marie D. Fast Horse
(74) *Attorney, Agent, or Firm* — Zagorin Cave LLP;
Robert W. Holland

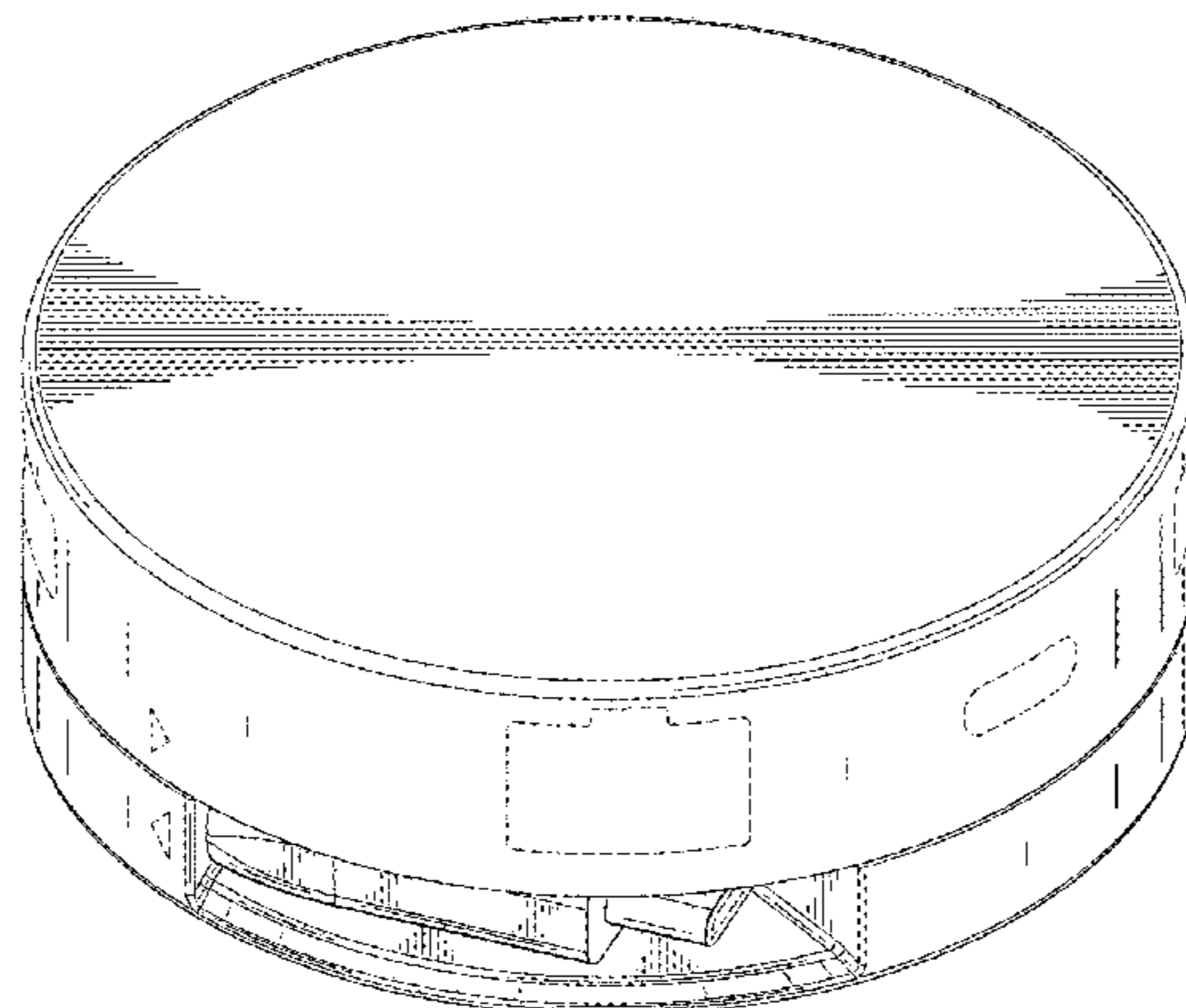
(57) **CLAIM**

We claim the ornamental design for a mobile docking station, as shown and described.

DESCRIPTION

FIG. 1 is a front perspective view of the mobile docking station comprising the present invention; FIG. 2 is a front elevation view thereof; FIG. 3 is a rear elevation view thereof; FIG. 4 is a right side view thereof; FIG. 5 is a left side view thereof; FIG. 6 is a top view thereof; FIG. 7 is a bottom view thereof; and, FIG. 8 is a front perspective view thereof with a docking cable extending outward from the mobile docking station. Broken lines shown in the drawings illustrate unclaimed portions of the mobile docking station, and form no part of the claimed design.

1 Claim, 6 Drawing Sheets



(56)

References Cited

U.S. PATENT DOCUMENTS

D581,927 S * 12/2008 Sumii D14/356
 D585,898 S * 2/2009 Skurdal D14/434
 D590,391 S * 4/2009 Sumii D14/356
 D598,018 S * 8/2009 Sumii D14/301
 D599,241 S * 9/2009 Andre D10/104.1
 D600,694 S * 9/2009 Sumii D14/356
 D620,884 S * 8/2010 Lee D13/108
 D645,818 S * 9/2011 Guccione D13/108
 D679,411 S * 4/2013 Hosoya D24/224
 D697,475 S * 1/2014 Regole D13/108
 D704,634 S * 5/2014 Eidelman D13/108
 D705,815 S * 5/2014 Green D14/509
 D709,065 S * 7/2014 Guyot D14/253
 D718,233 S * 11/2014 Aumiller D13/108
 D718,234 S * 11/2014 Rautiainen D13/108
 D718,712 S * 12/2014 Aumiller D13/108
 D720,289 S * 12/2014 Chiang D13/108
 D723,021 S * 2/2015 Guyot D14/253
 D726,161 S * 4/2015 Howard D14/218
 D726,672 S * 4/2015 Olodort D14/138 G
 D727,260 S * 4/2015 Aumiller D13/108
 D735,131 S * 7/2015 Akana D13/108
 D746,772 S * 1/2016 Aumiller D13/108
 D747,229 S * 1/2016 Perez D10/104.1
 D751,538 S * 3/2016 Koehler D14/240
 D756,956 S * 5/2016 Van Den Nieuwenhuizen
 D14/204
 D757,014 S * 5/2016 Hahn D14/434
 D760,048 S * 6/2016 Jordan D8/38
 D763,710 S * 8/2016 Barthold D10/69
 D768,631 S * 10/2016 Epstein D14/388
 D777,100 S * 1/2017 Price D13/103
 D780,727 S * 3/2017 Wang D14/223
 D782,485 S * 3/2017 Cai D14/433
 D783,422 S * 4/2017 Kashimoto D10/50
 D784,259 S * 4/2017 Huang D13/108
 D786,876 S * 5/2017 Huang D14/433
 D791,698 S * 7/2017 Kim D13/108
 D791,700 S * 7/2017 Loewen D13/108

D798,807 S * 10/2017 Shi D13/108
 D804,978 S * 12/2017 Chao D10/114.2
 D806,020 S * 12/2017 Lu D13/107
 D810,086 S * 2/2018 Xie D14/433
 D810,087 S * 2/2018 Xie D14/433
 D810,698 S * 2/2018 Hahn D13/156
 D812,577 S * 3/2018 Turksu D13/168
 D815,096 S * 4/2018 Ebrahimi Afrouzi D14/433
 D820,318 S * 6/2018 Mullins D14/496
 D829,242 S * 9/2018 Laine D14/496
 D829,684 S * 10/2018 Hardi D14/204
 D832,260 S * 10/2018 Hutton D14/433
 D844,566 S * 4/2019 Yu D13/139.7
 D845,902 S * 4/2019 Xu D13/137.4
 D850,367 S * 6/2019 Xiong D14/434
 D850,370 S * 6/2019 Lee D13/108
 D850,372 S * 6/2019 Kong D13/108
 2008/0010405 A1 * 1/2008 Allen G06F 17/30115
 711/115

OTHER PUBLICATIONS

The cradle_CN303492153. (Design -© Questel) orbit.com.[online PDF] 7 pgs. Print Date Dec. 9, 2015. [Retrieved on Apr. 3, 2019] <https://sobjprd.questel.fr/export/QPTUJ214/pdf2/7e3e1711-cdca-4c08-a92d-808d9a41c304-232044.pdf>.
 Dell, DA100 Universal Dongle—USB 3.0 to HDMI/VGA/Ethernet/USB 2.0-S&P, <http://accessories.ap.dell.com/sna/productdetail.aspx?c=sg&l=en&s=dhs&cs=sgdhs1&sku=492-11742>, printed Jan. 29, 2018.
 Dell, Adapter-USB-C to HDMI/VGA/Ethernet/Sub 3.0 DA200, <http://accessories.ap.dell.com/sna/productdetail.aspx?c=sg&l=en&s=bsd&cs=sgbsd1&sku=470-ABNL>, printed Jan. 29, 2018.
 HP, USB-C Travel Hub, <http://h20386.www2.hp.com/AustraliaStore/Merch/Product.aspx?id=Z9G82AA&opt=&sel=DEF>, printed Jan. 29, 2018.
 apple.com, Using USB-C and Thunderbolt 3 (USB-C) ports and adapters on your Mac notebook, <https://support.apple.com/en-us/HT204360>, printed Jan. 29, 2018.

* cited by examiner

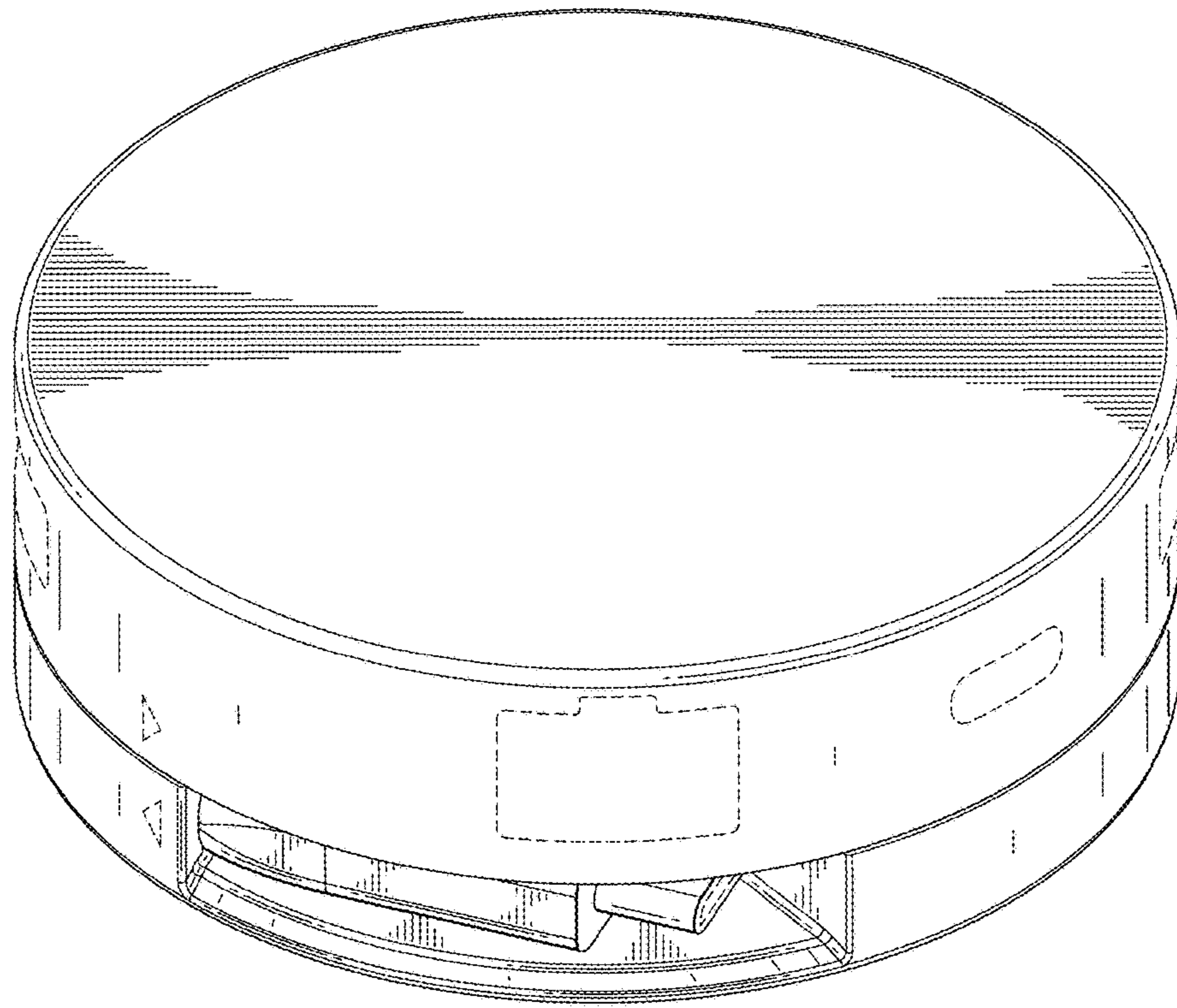


FIG. 1

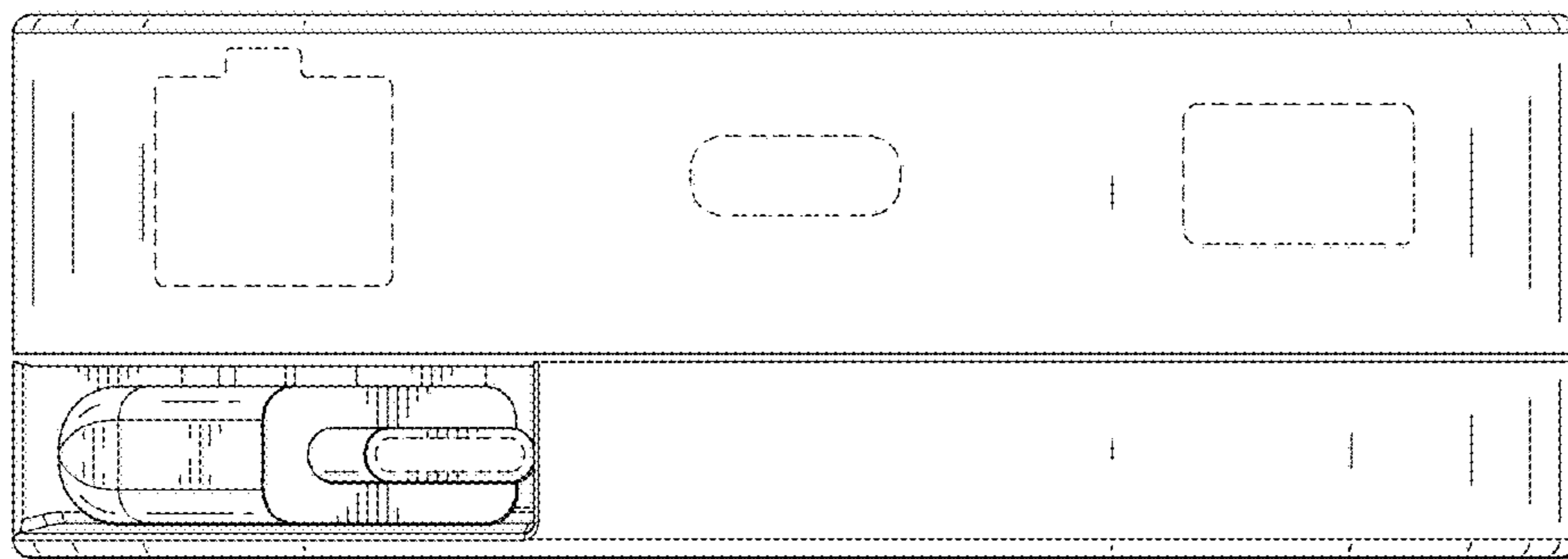


FIG. 2

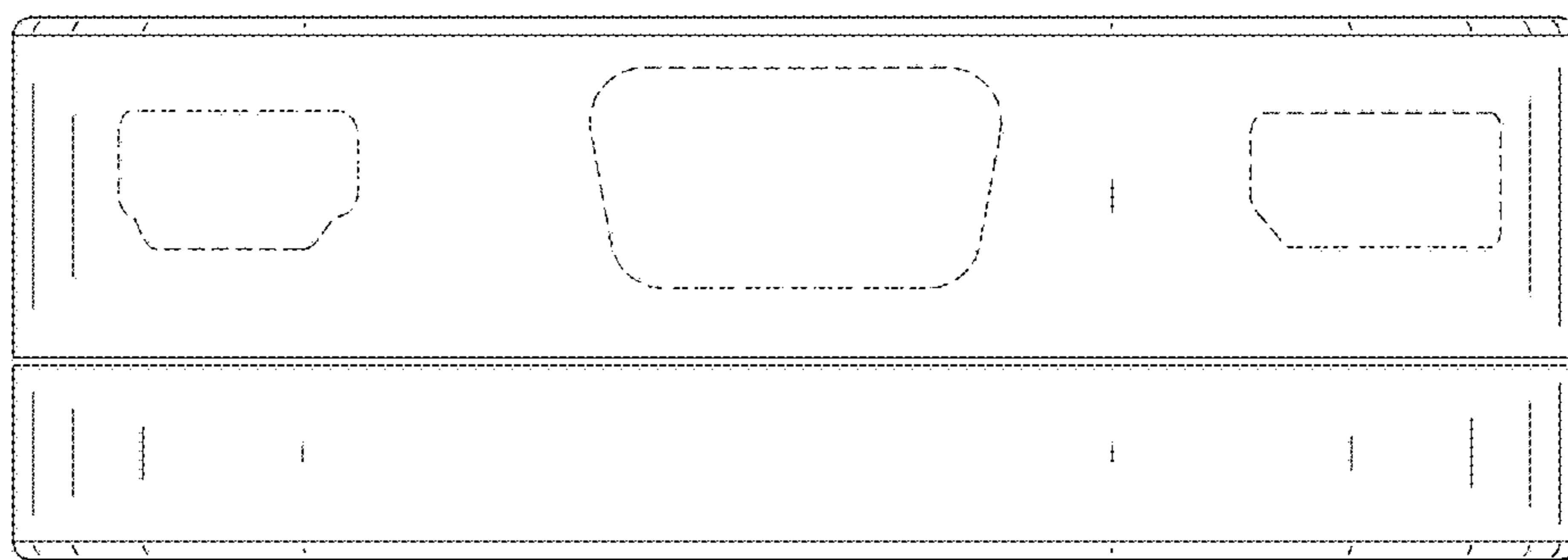


FIG. 3

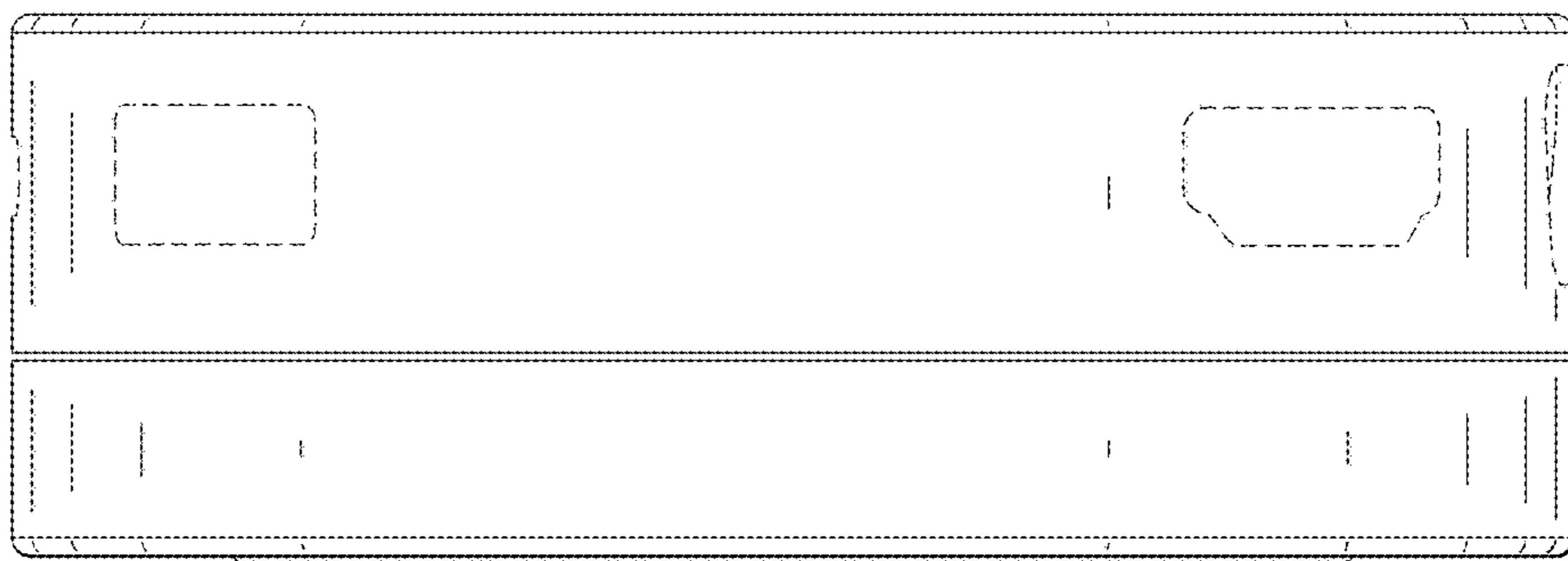


FIG. 4

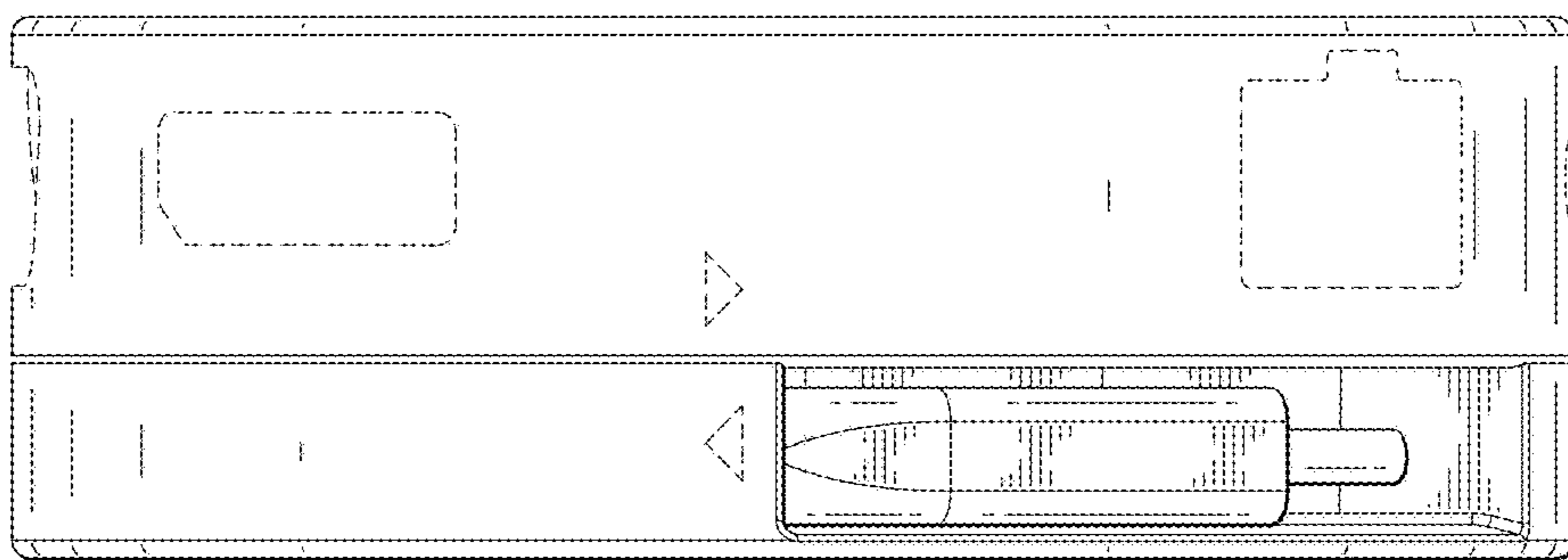


FIG. 5

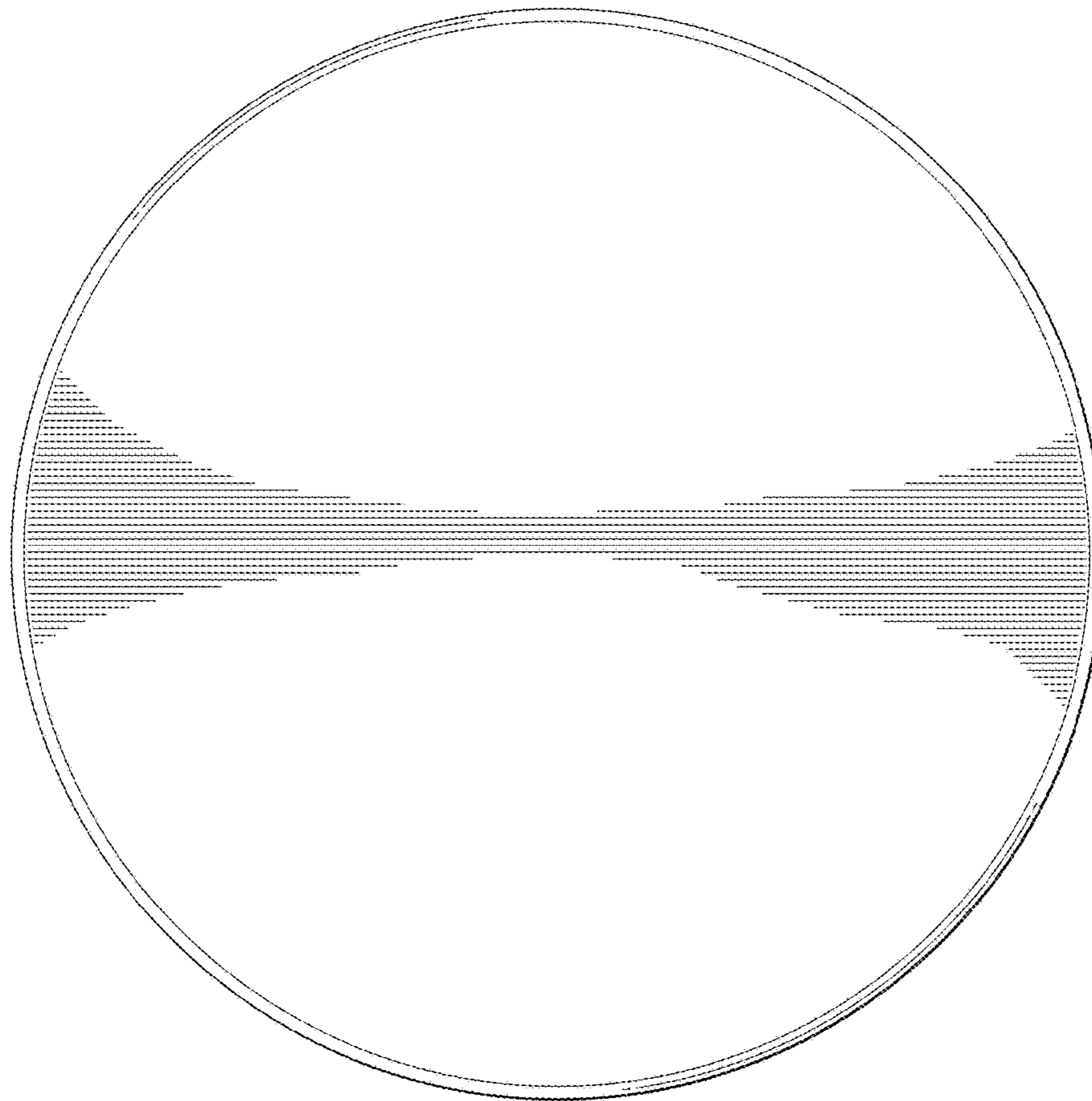


FIG. 6

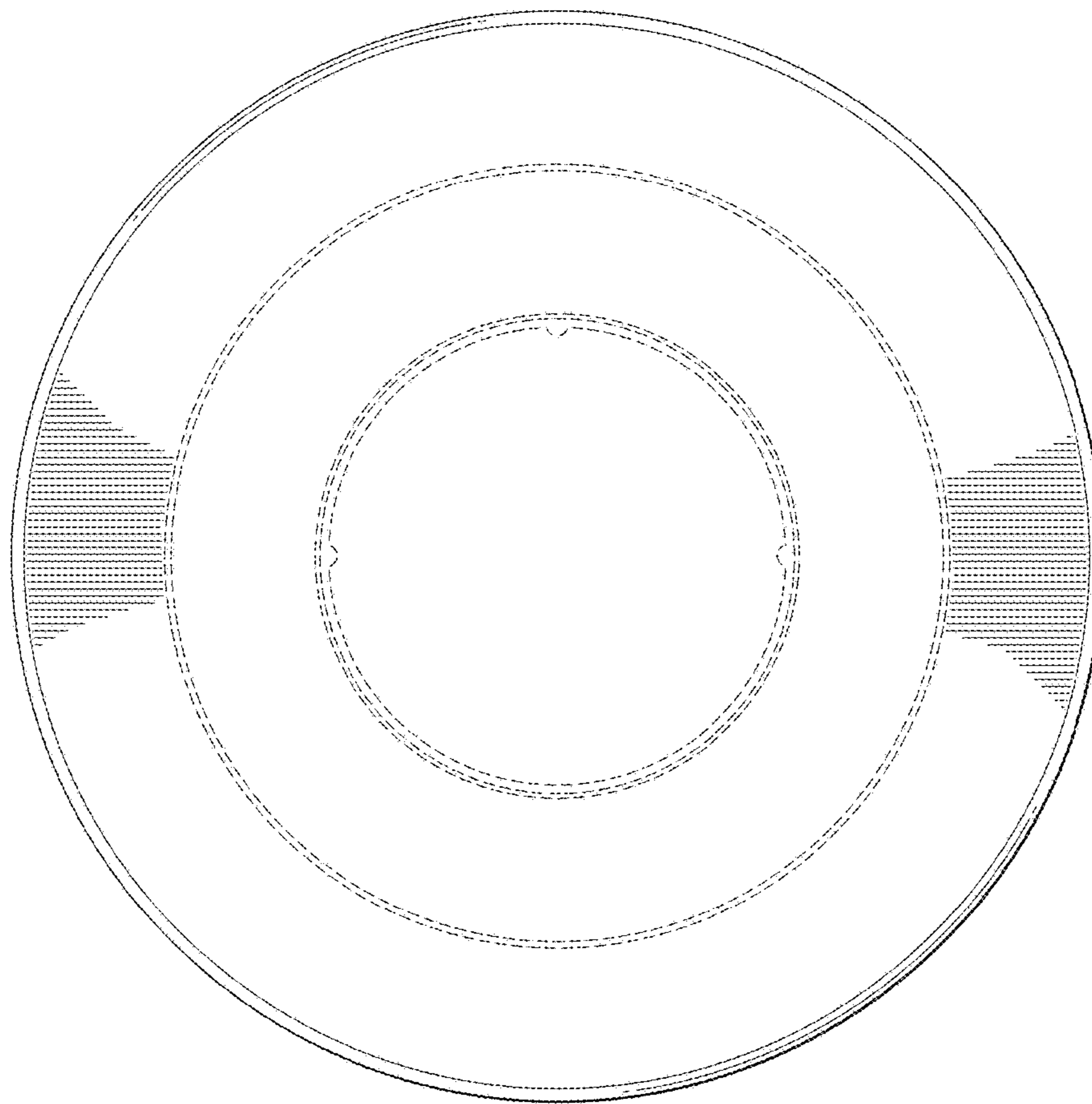


FIG. 7

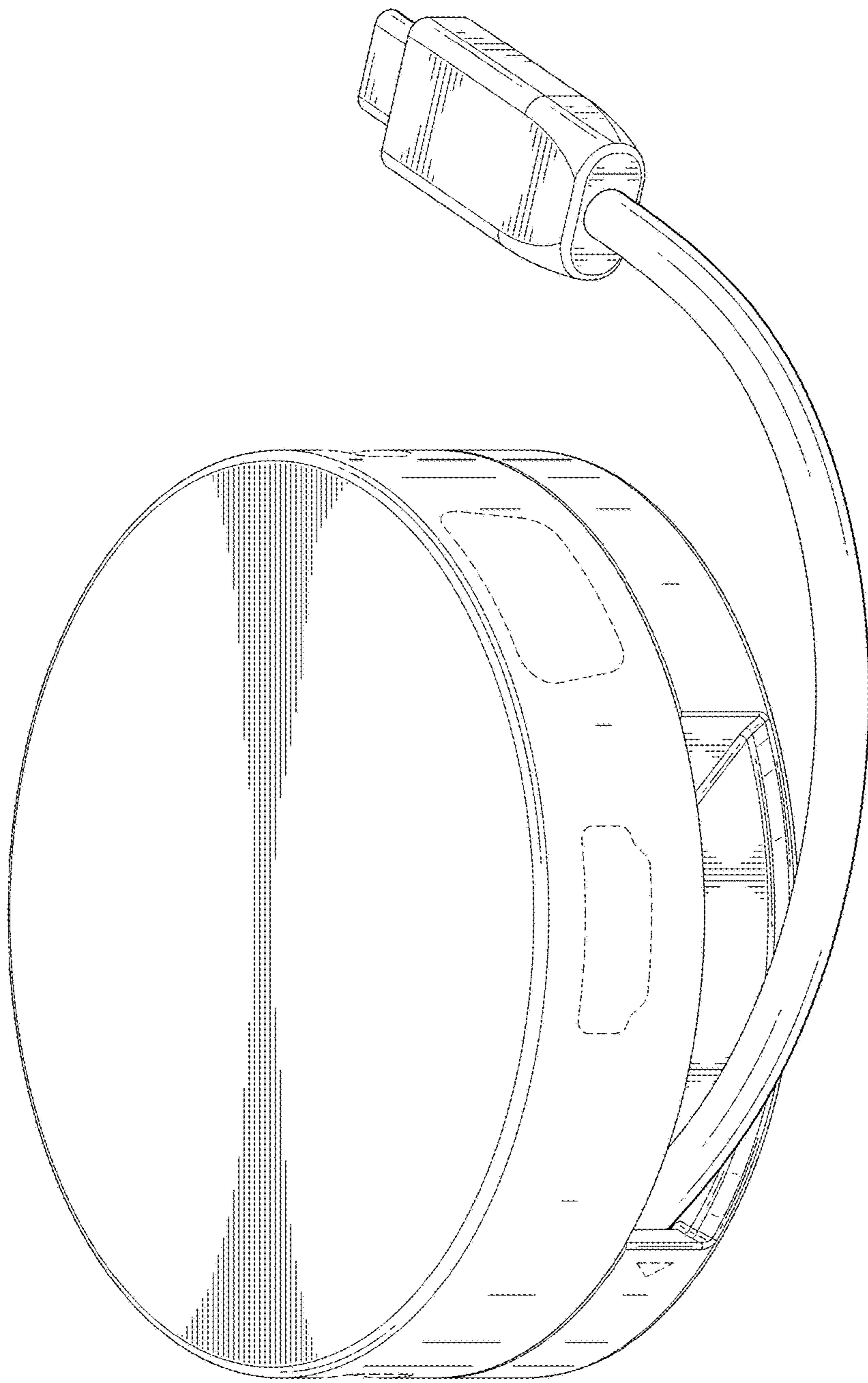


FIG. 8