



US00D865767S

(12) **United States Design Patent**  
**Pang et al.**

(10) **Patent No.:** **US D865,767 S**

(45) **Date of Patent:** **\*\* Nov. 5, 2019**

(54) **MOUSE**

(71) Applicant: **Shenzhen Riitek Technology Co., LTD.**, Shenzhen, Guangdong (CN)

(72) Inventors: **Xianyong Pang**, Shenzhen (CN);  
**Junkui Chen**, Shenzhen (CN)

(73) Assignee: **Shenzhen Riitek Technology Co., Ltd.**, Shenzhen, Guangdong (CN)

(\*\*) Term: **15 Years**

(21) Appl. No.: **29/632,731**

(22) Filed: **Jan. 9, 2018**

(51) **LOC (12) Cl.** ..... **14-02**

(52) **U.S. Cl.**  
USPC ..... **D14/402**

(58) **Field of Classification Search**  
USPC ..... D14/402–411, 356, 388, 389, 383–385,  
D14/417, 426; 345/156–167; 358/471,  
358/473  
CPC ..... G06F 3/03543; G06F 2203/0333; G06F  
3/039; G06F 3/038; G06F 2203/0384  
See application file for complete search history.

(56) **References Cited**

**U.S. PATENT DOCUMENTS**

D680,113 S \* 4/2013 Li ..... D14/409  
D762,646 S \* 8/2016 Chong ..... D14/409

D771,046 S \* 11/2016 Jost ..... D14/410  
D813,869 S \* 3/2018 Hu ..... D14/402  
D826,939 S \* 8/2018 Chong ..... D14/402  
D827,647 S \* 9/2018 Chong ..... D14/402  
D829,717 S \* 10/2018 Lu ..... D14/409

\* cited by examiner

*Primary Examiner* — Austin Murphy

(74) *Attorney, Agent, or Firm* — Raymond Y. Chan;  
David and Raymond Patent Firm

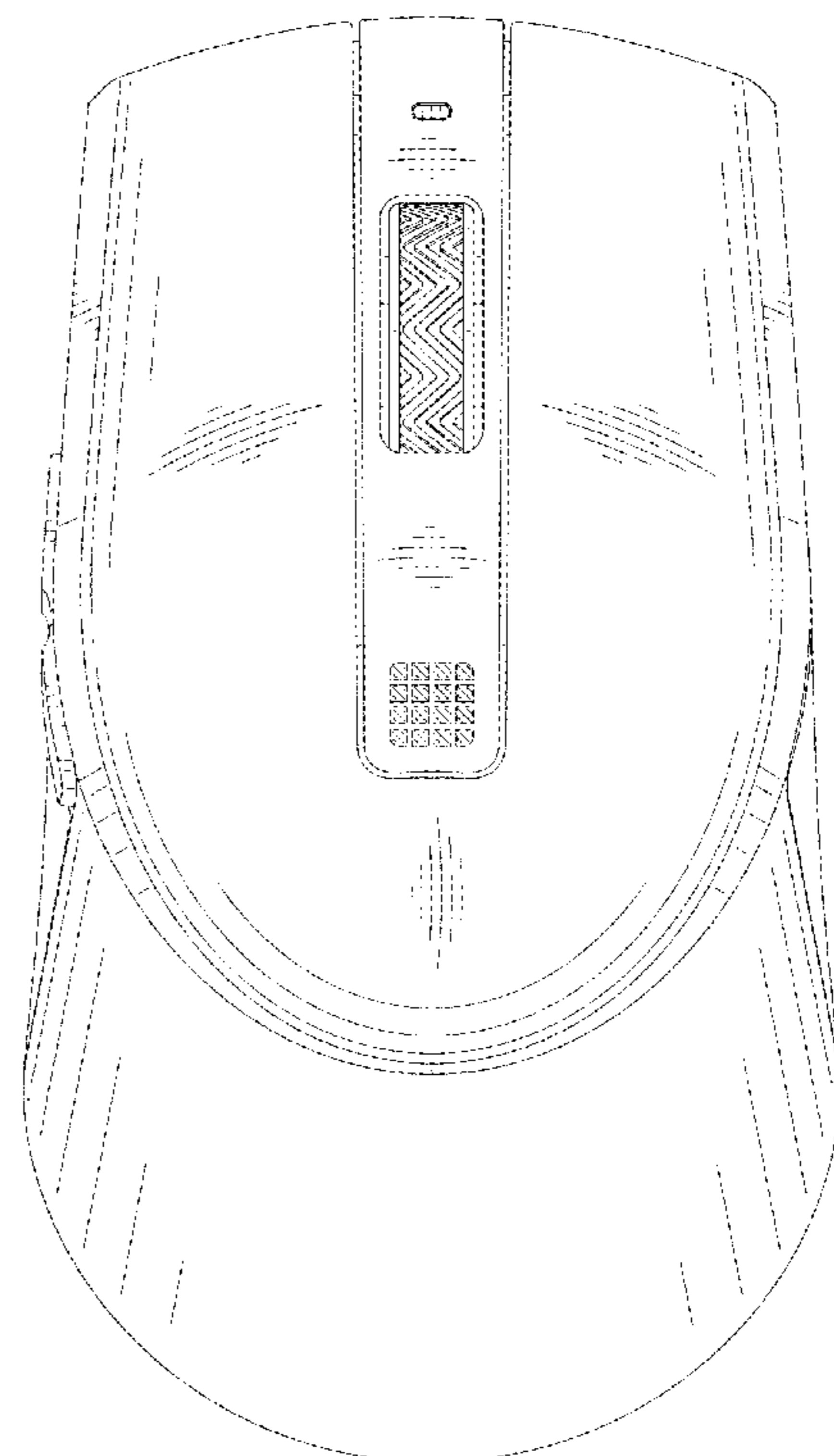
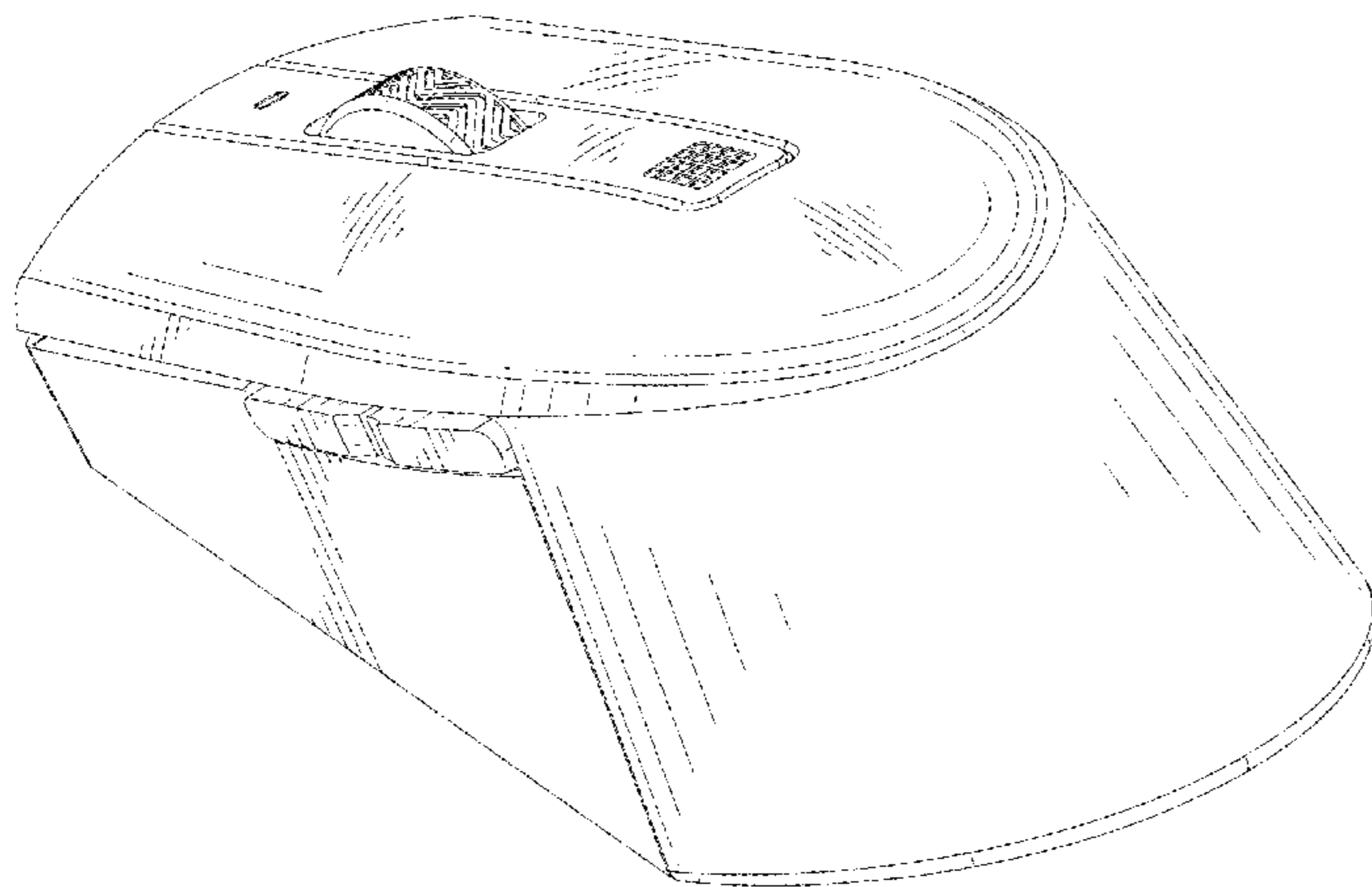
(57) **CLAIM**

The ornamental design for a mouse, as shown and described.

**DESCRIPTION**

FIG. 1 is a perspective view of the mouse showing my new design;  
FIG. 2 is a front view of the mouse;  
FIG. 3 is a rear view of the mouse;  
FIG. 4 is a left view of the mouse;  
FIG. 5 is a right view of the mouse;  
FIG. 6 is a top view of the mouse; and,  
FIG. 7 is a bottom view of the mouse.  
The broken lines in the drawings represent unclaimed portions of the design article. All of the broken lines forms no part of the claimed design.

**1 Claim, 7 Drawing Sheets**



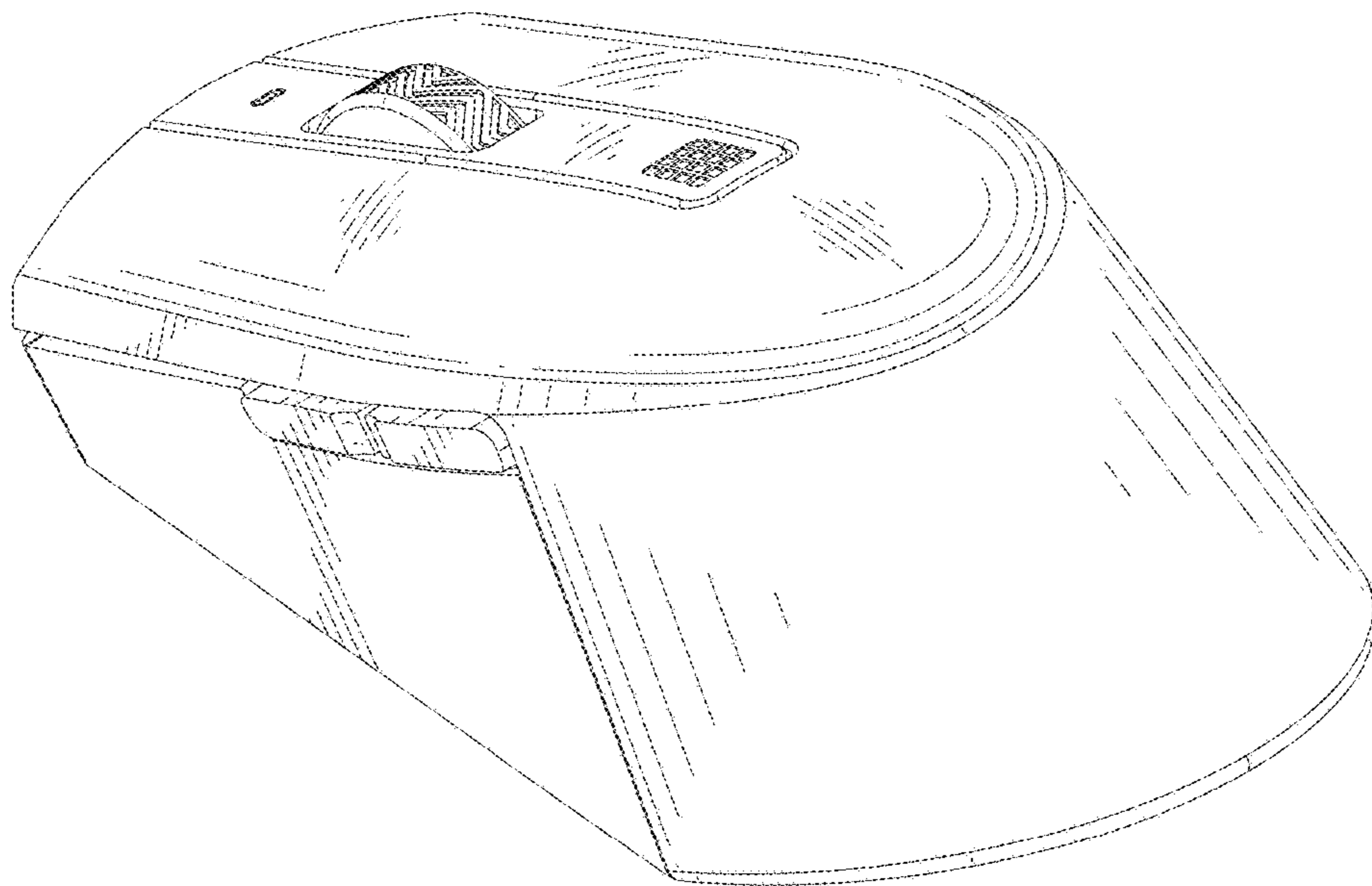


FIG.1

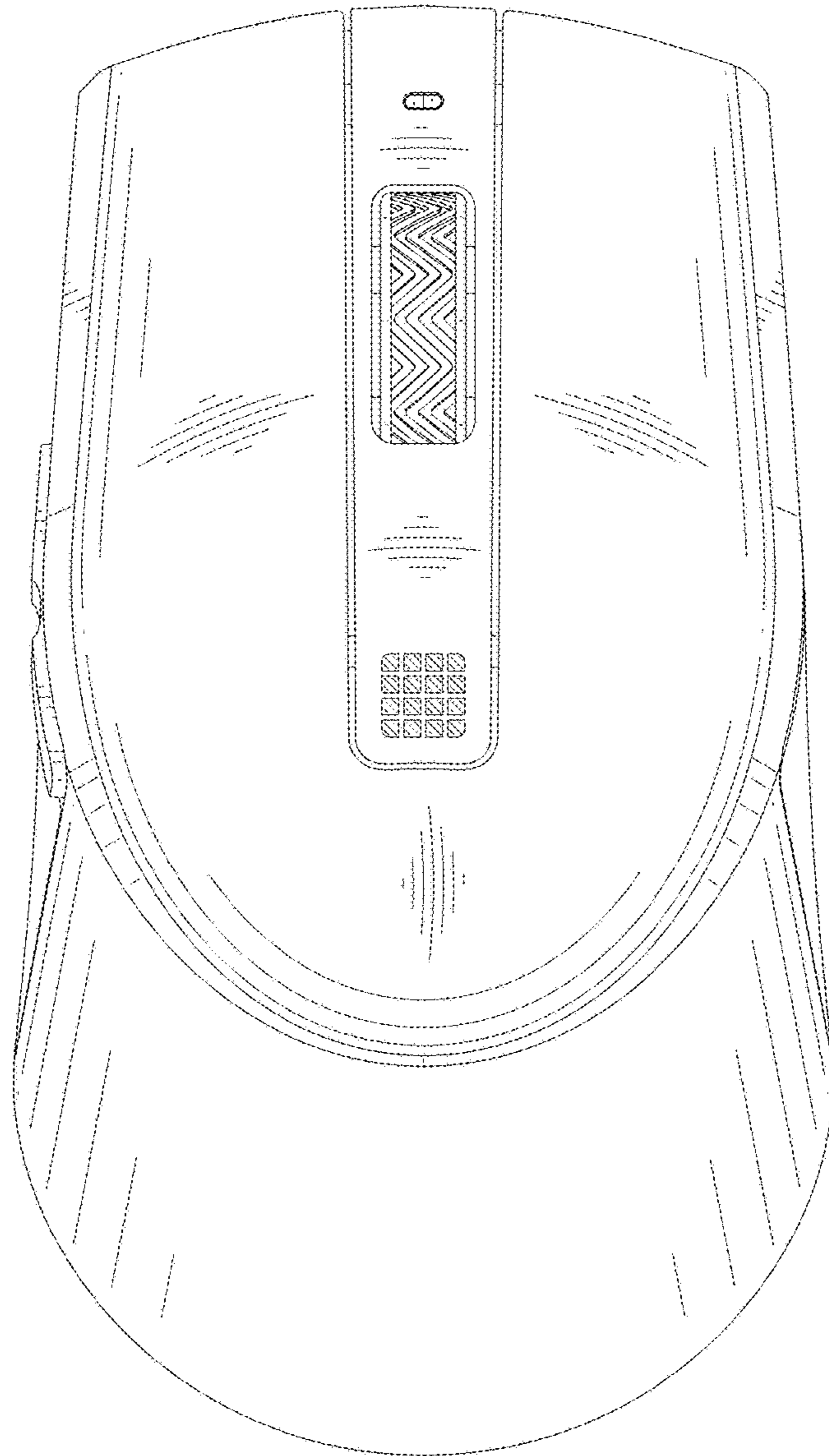


FIG.2

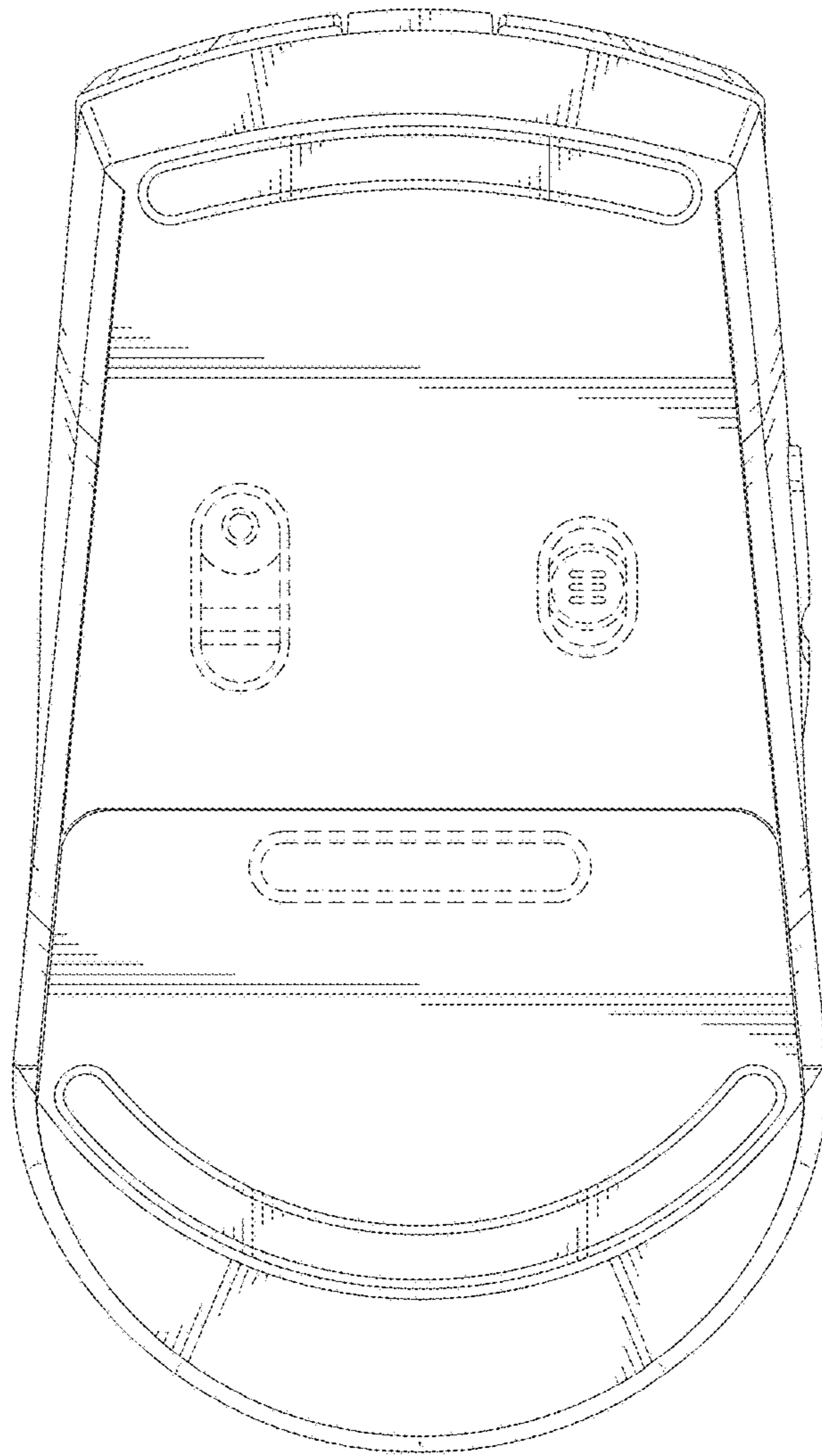


FIG.3

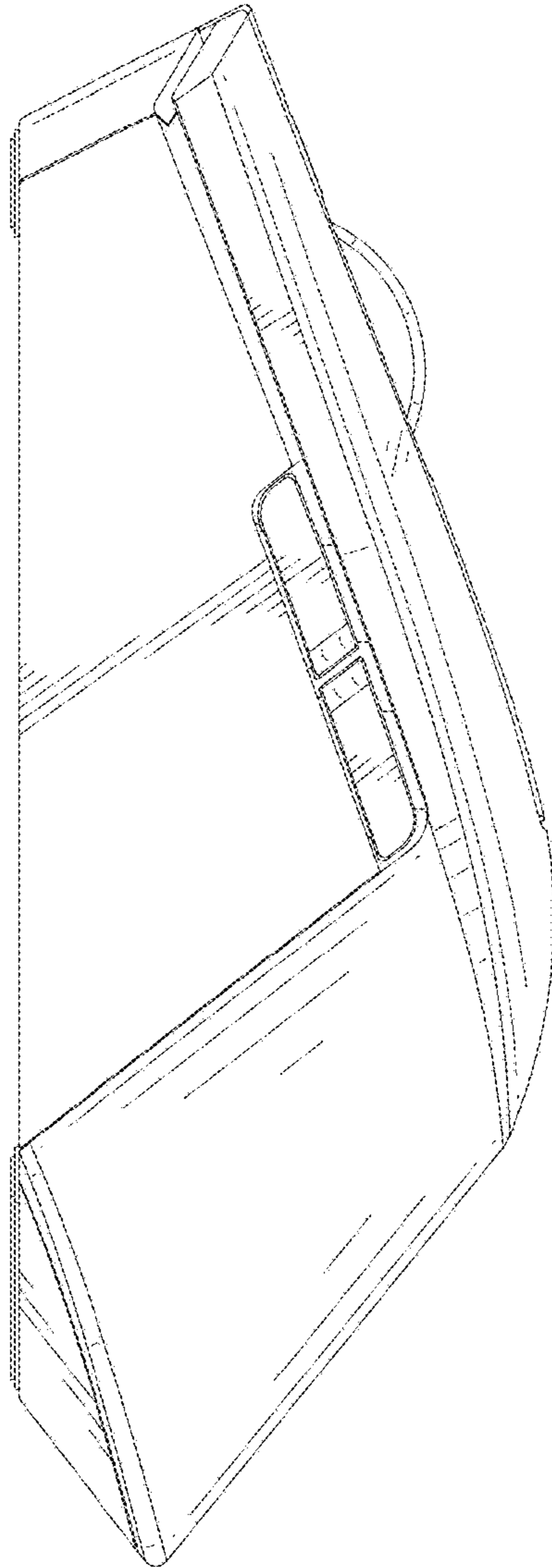


FIG.4



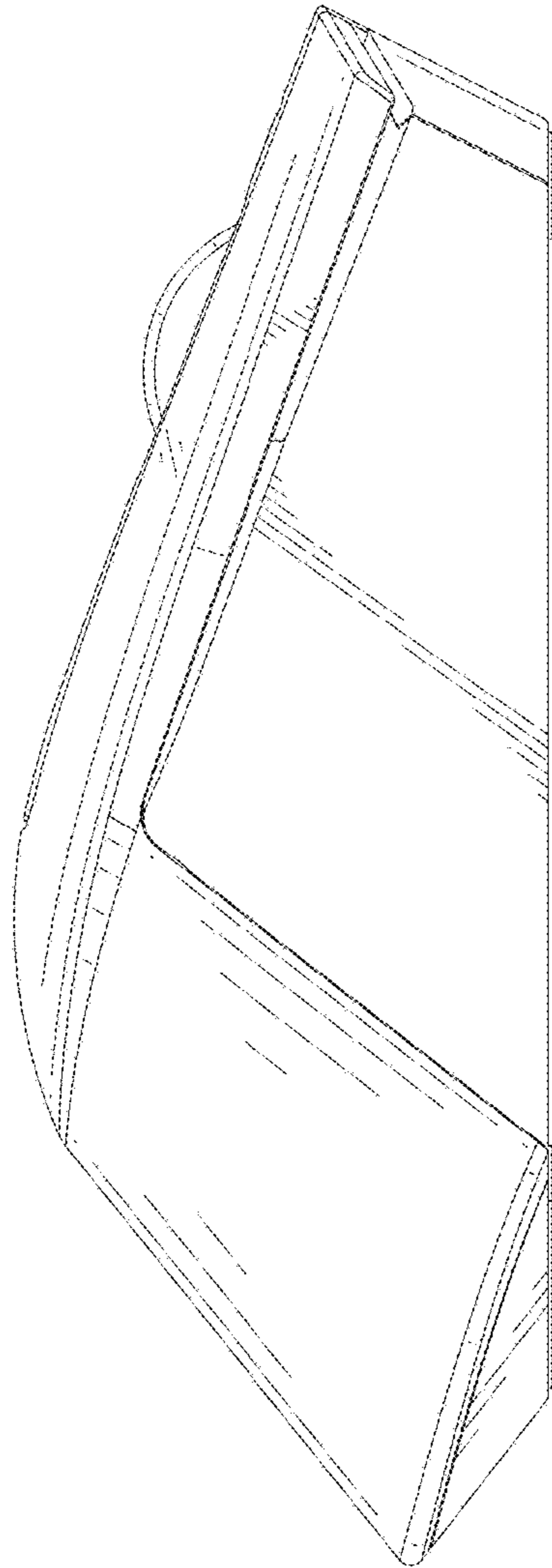


FIG.5

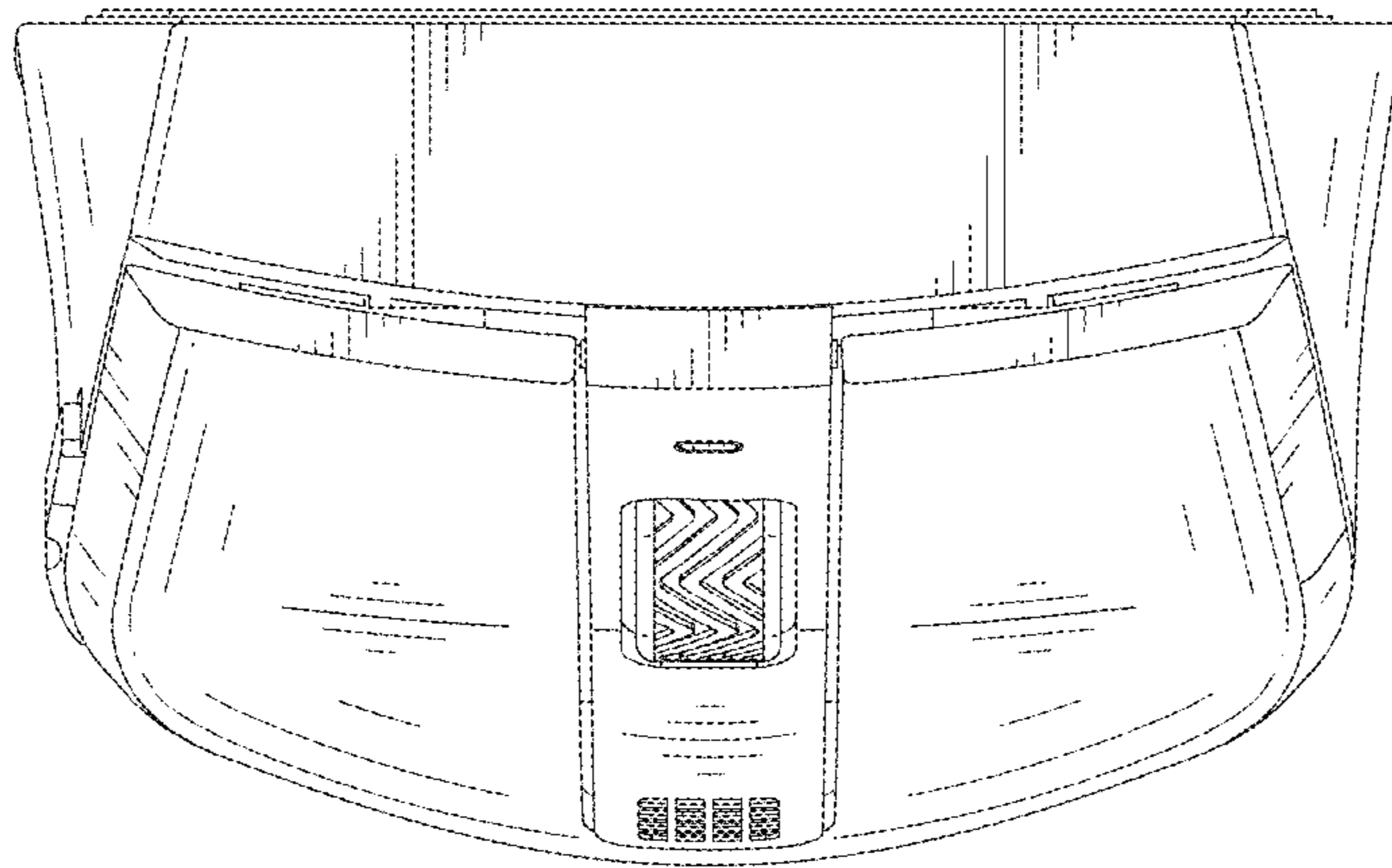


FIG.6

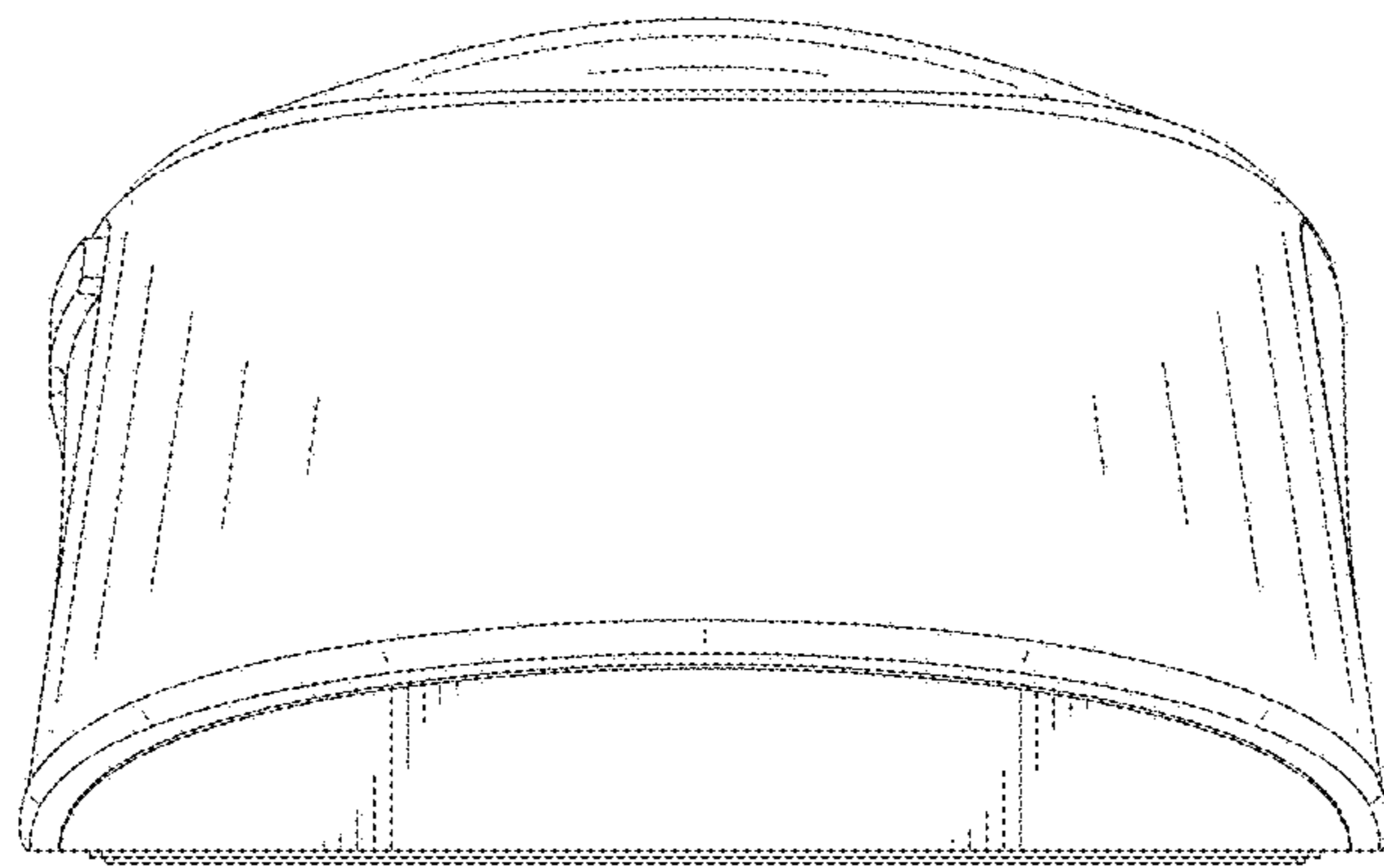


FIG.7