



US00D865766S

(12) **United States Design Patent**
Hu

(10) **Patent No.:** **US D865,766 S**

(45) **Date of Patent:** **** Nov. 5, 2019**

(54) **CONTROLLER**

(71) Applicant: **SHENZHEN QIANHAI PATUOXUN NETWORK AND TECHNOLOGY CO., LTD**, Shenzhen (CN)

(72) Inventor: **Zaihui Hu**, Shenzhen (CN)

(73) Assignee: **SHENZHEN QIANHAI PATUOXUN NETWORK AND TECHNOLOGY CO., LTD**, Shenzhen (CN)

(**) Term: **15 Years**

(21) Appl. No.: **29/694,567**

(22) Filed: **Jun. 12, 2019**

(51) **LOC (12) Cl.** **14-02**

(52) **U.S. Cl.**
USPC **D14/401; D21/333**

(58) **Field of Classification Search**
USPC D14/400-418, 426-431, 432, 454-455, D14/203.3, 218, 300, 356, 358, 383, 388, D14/399; D21/324, 328, 331, 333, 566; D13/162, 162.1, 168; D10/78, 103
CPC .. A63F 9/02; A63F 9/24; A63F 9/0291; A63F 9/0252; A63F 13/00; A63F 13/23; A63F 13/24; A63F 13/26; A63F 13/98; A63F 13/02; A63F 13/12

See application file for complete search history.

(56) **References Cited**

U.S. PATENT DOCUMENTS

5,644,113	A	*	7/1997	Date	A63F 13/06	200/5 R
D440,567	S	*	4/2001	Wahlgren	D14/401	
D547,763	S	*	7/2007	Hayes	D14/401	
D581,422	S	*	11/2008	Hayes	D14/401	
D707,758	S	*	6/2014	Norman	D14/401	
D708,615	S	*	7/2014	Delrue	D14/401	
D709,499	S	*	7/2014	Morris	D14/401	
D709,882	S	*	7/2014	Morris	D14/401	

D765,788	S	*	9/2016	Kujawski	D14/401	
D772,988	S	*	11/2016	Kujawski	D14/401	
D784,989	S	*	4/2017	Kujawski	D14/401	
D786,981	S	*	5/2017	Strahle	D14/401	
D794,717	S	*	8/2017	Kujawski	D14/401	
D799,599	S	*	10/2017	Kujawski	D21/333	
D819,641	S	*	6/2018	Tsuchiya et al.			
D823,945	S	*	7/2018	Falc	D21/333	
D853,384	S	*	7/2019	Fulghum	D14/401	

(Continued)

FOREIGN PATENT DOCUMENTS

EM 004541357-0004 1/2018

OTHER PUBLICATIONS

Patuoxun iPega Bluetooth Gaming Controller for Android Smartphones and tablet PC, Amazon online, post date Apr. 13, 2015, URL: <https://www.amazon.in/Patuoxun-Bluetooth-Controller-Android-Smartphones/dp/B00W1BXHHE>, retrieved Aug. 14, 2019.*

Primary Examiner — Jeffrey D Asch

Assistant Examiner — Rebekah A Caruso

(74) *Attorney, Agent, or Firm* — JCIP Global Inc.

(57) **CLAIM**

The ornamental design for a controller, as shown and described.

DESCRIPTION

FIG. 1 is a perspective view of a controller showing my new design;

FIG. 2 is a front view thereof;

FIG. 3 is a rear view thereof;

FIG. 4 is a left side view thereof;

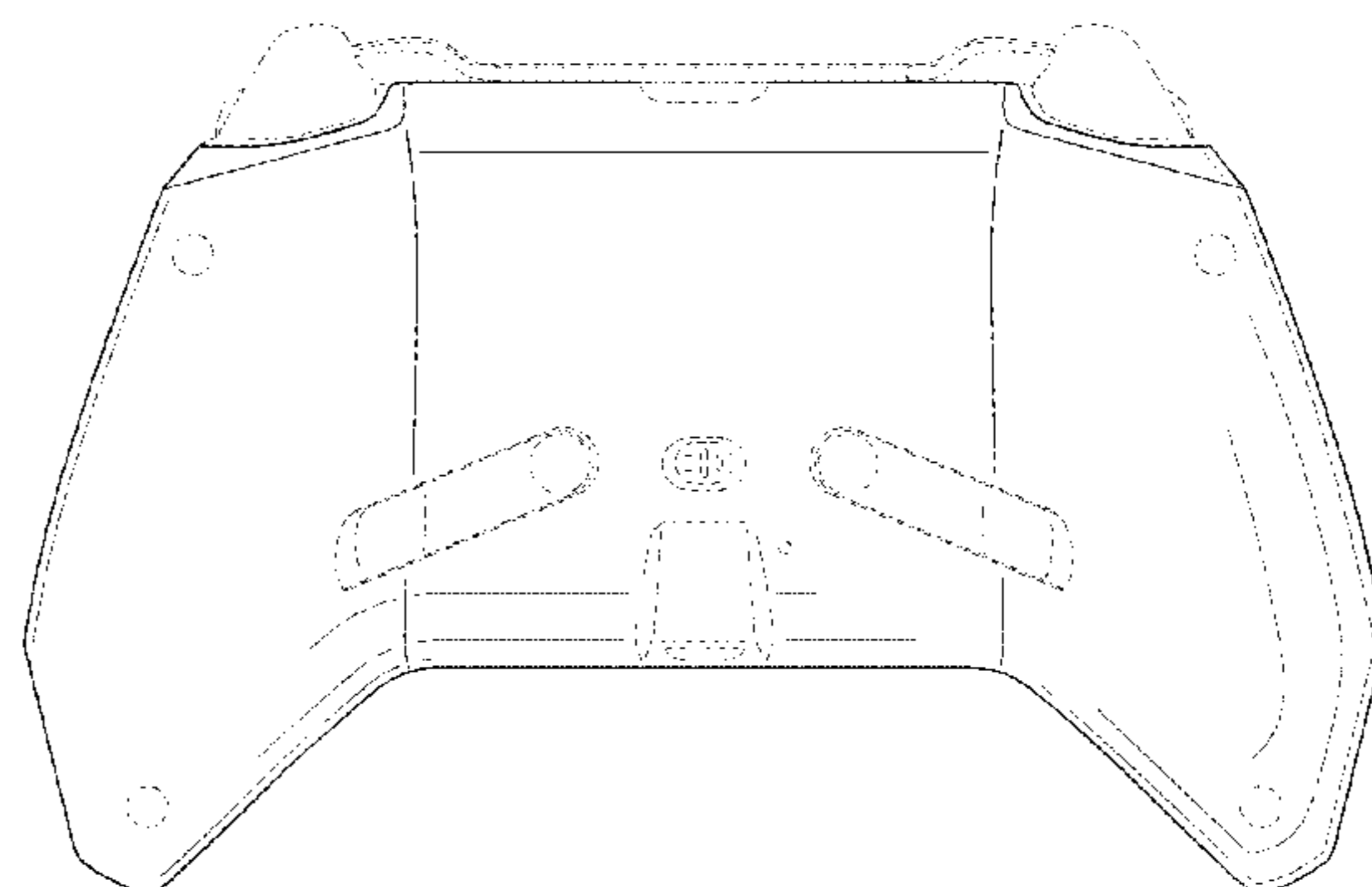
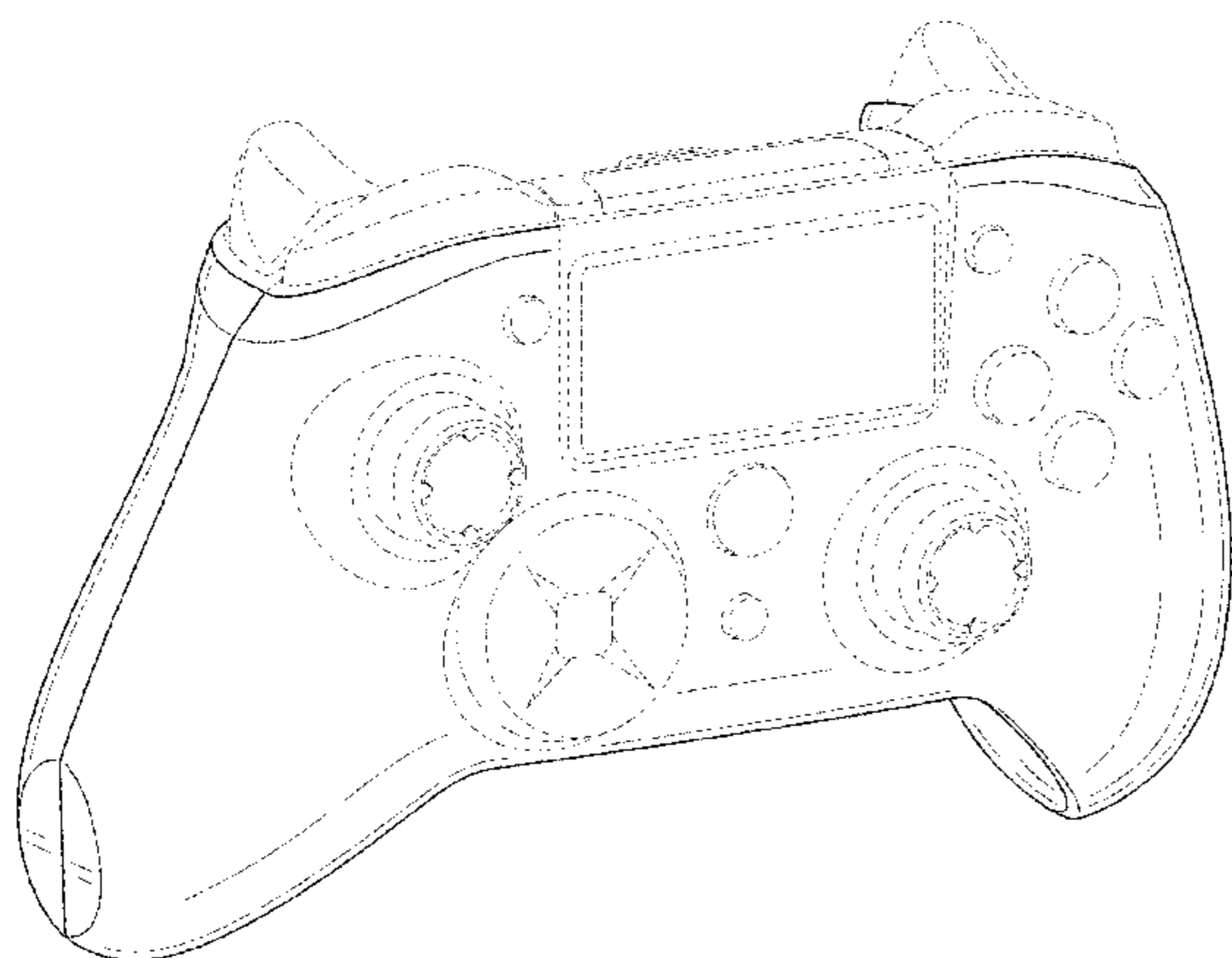
FIG. 5 is a right side view thereof;

FIG. 6 is a top view thereof; and,

FIG. 7 is a bottom view thereof.

The dash lines in the drawings represent portions of the controller which form no part of the claimed design.

1 Claim, 6 Drawing Sheets



(56)

References Cited

U.S. PATENT DOCUMENTS

D856,334 S * 8/2019 Salter D14/401
2018/0250587 A1 * 9/2018 Strahle A63F 13/24

* cited by examiner

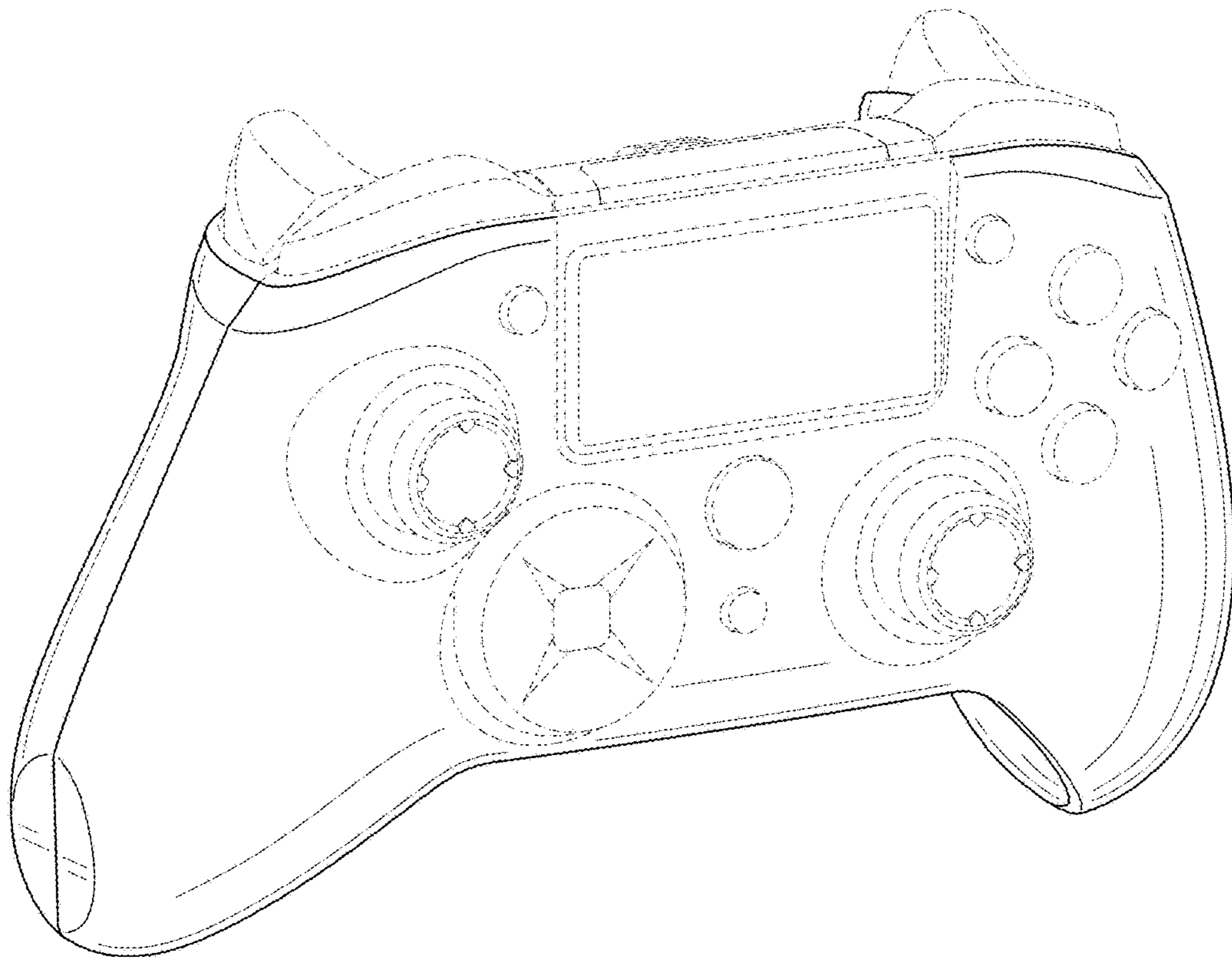


FIG. 1

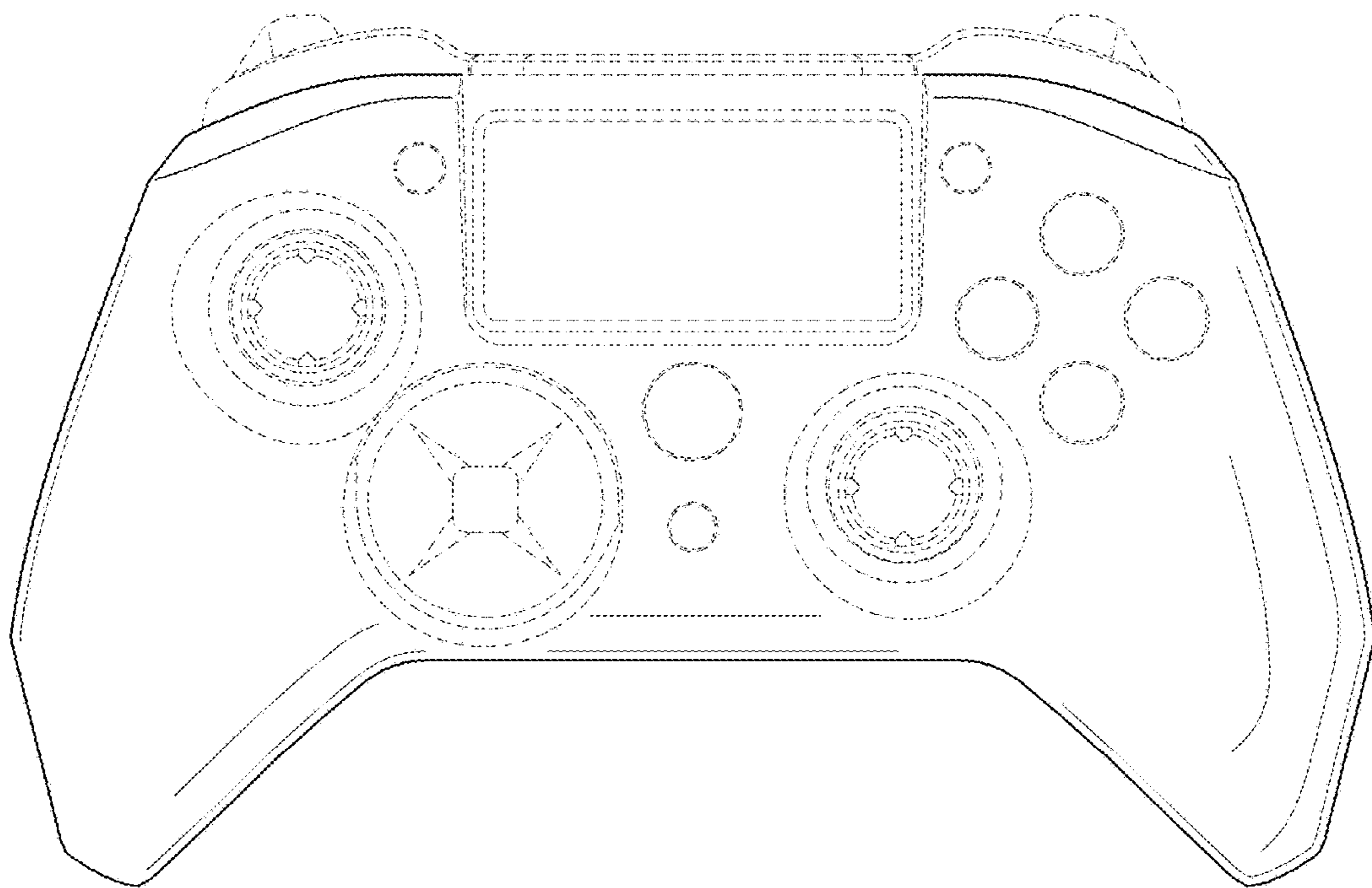


FIG. 2

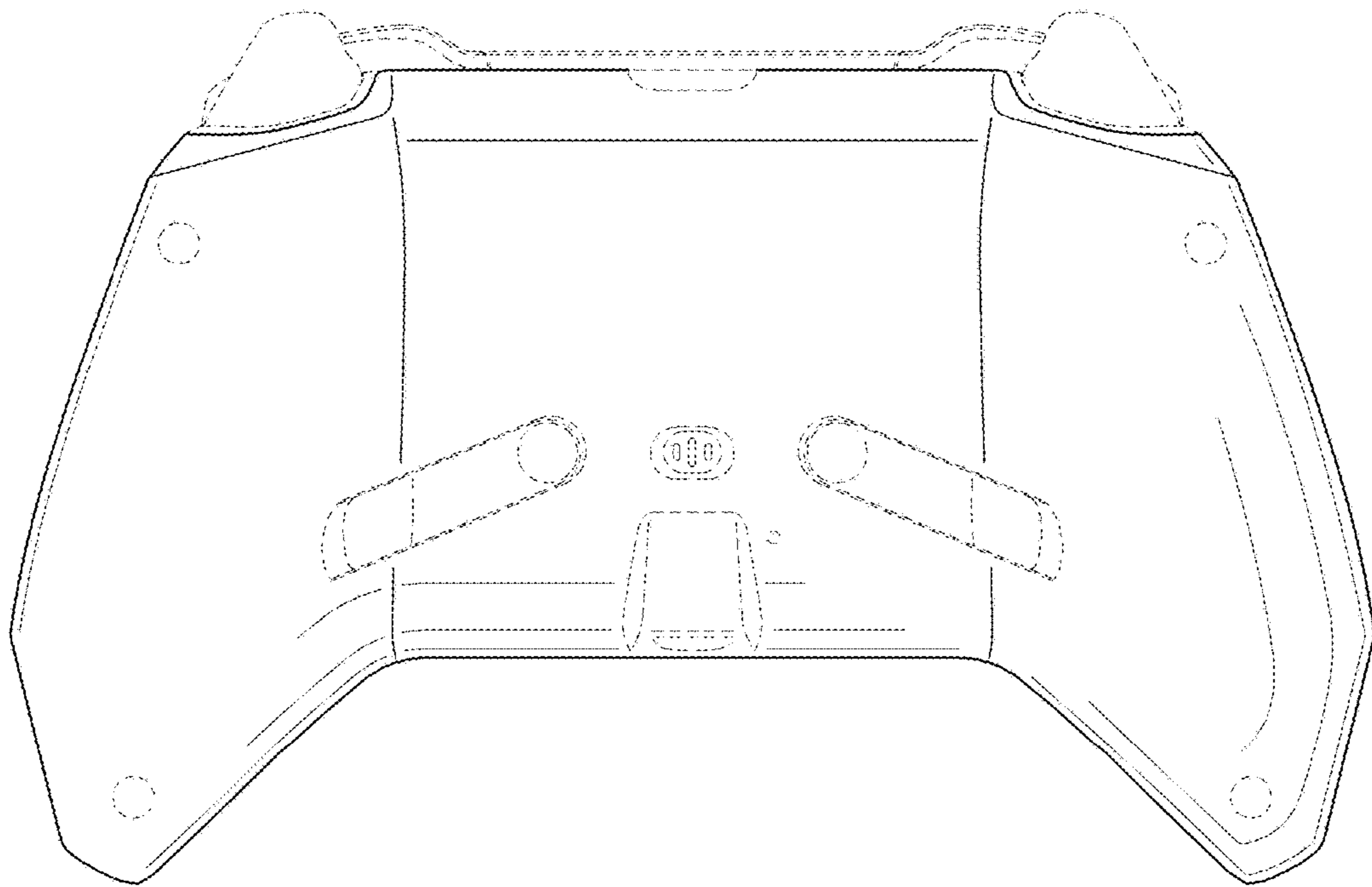


FIG. 3

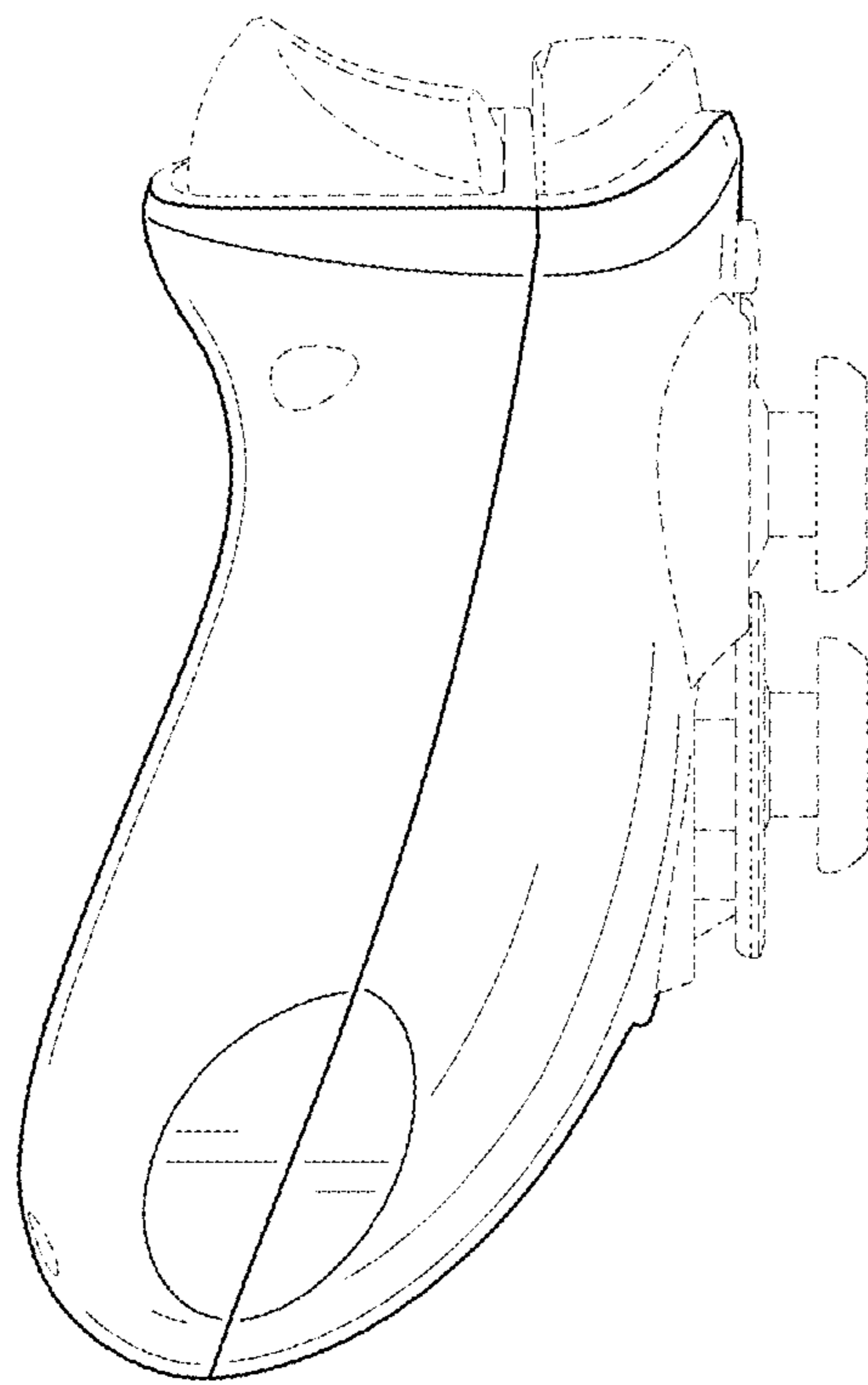


FIG. 4

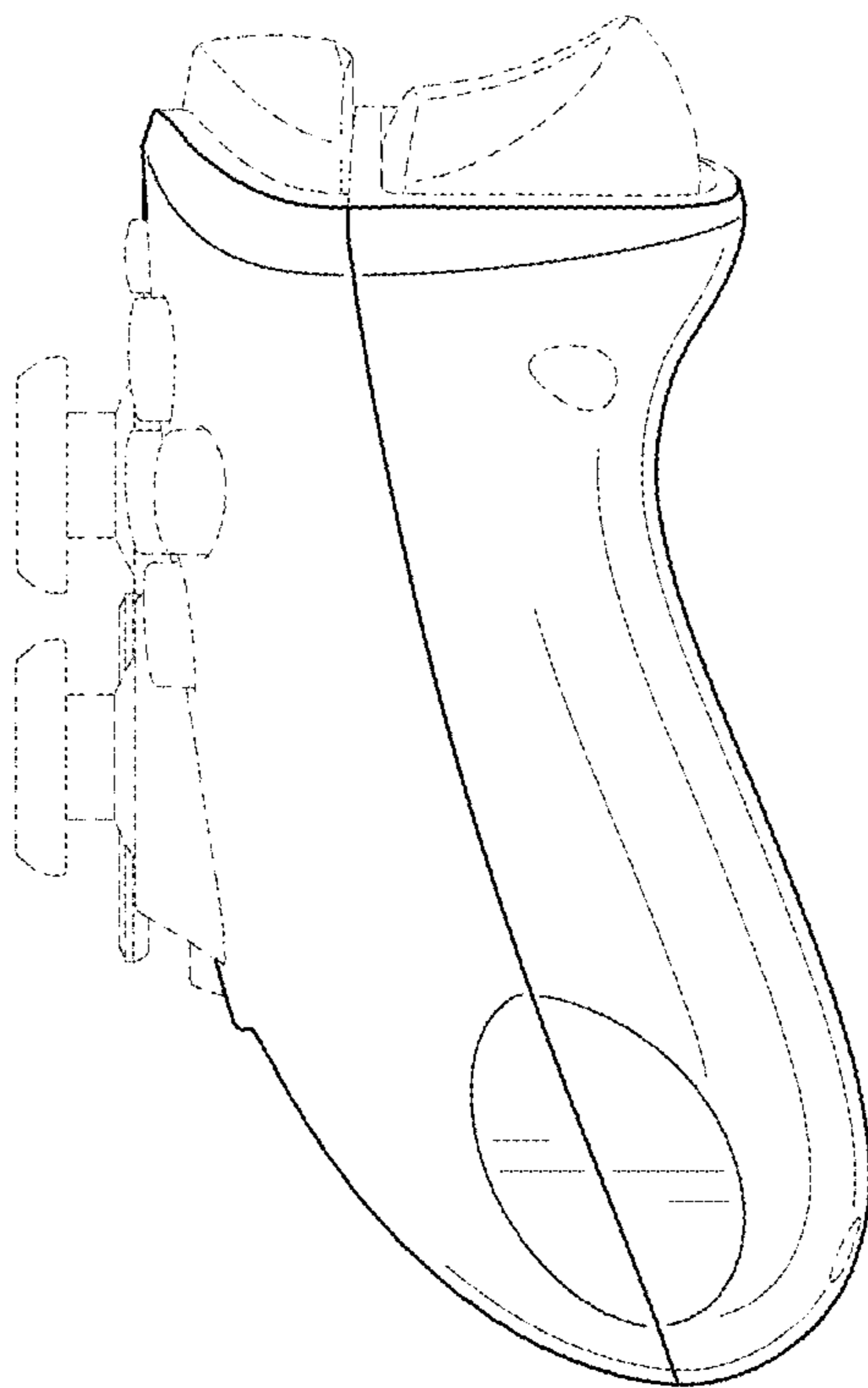


FIG. 5

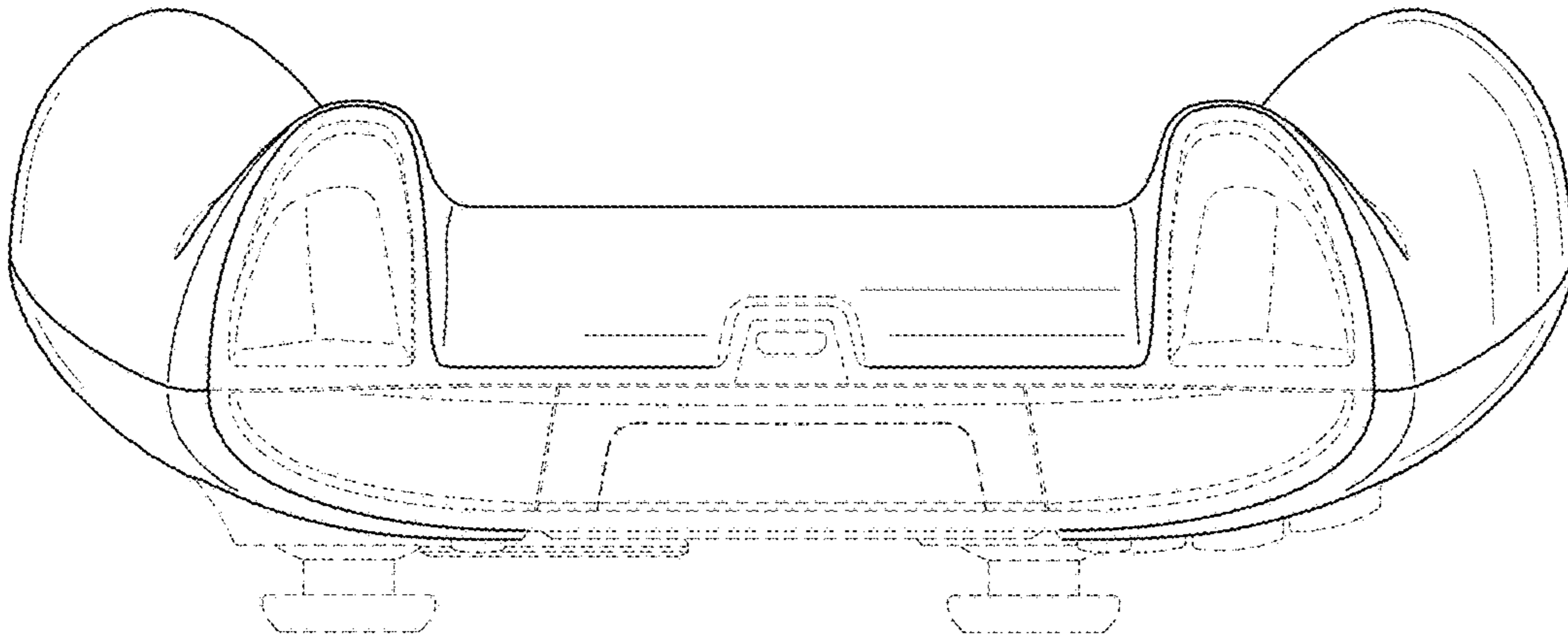


FIG. 6

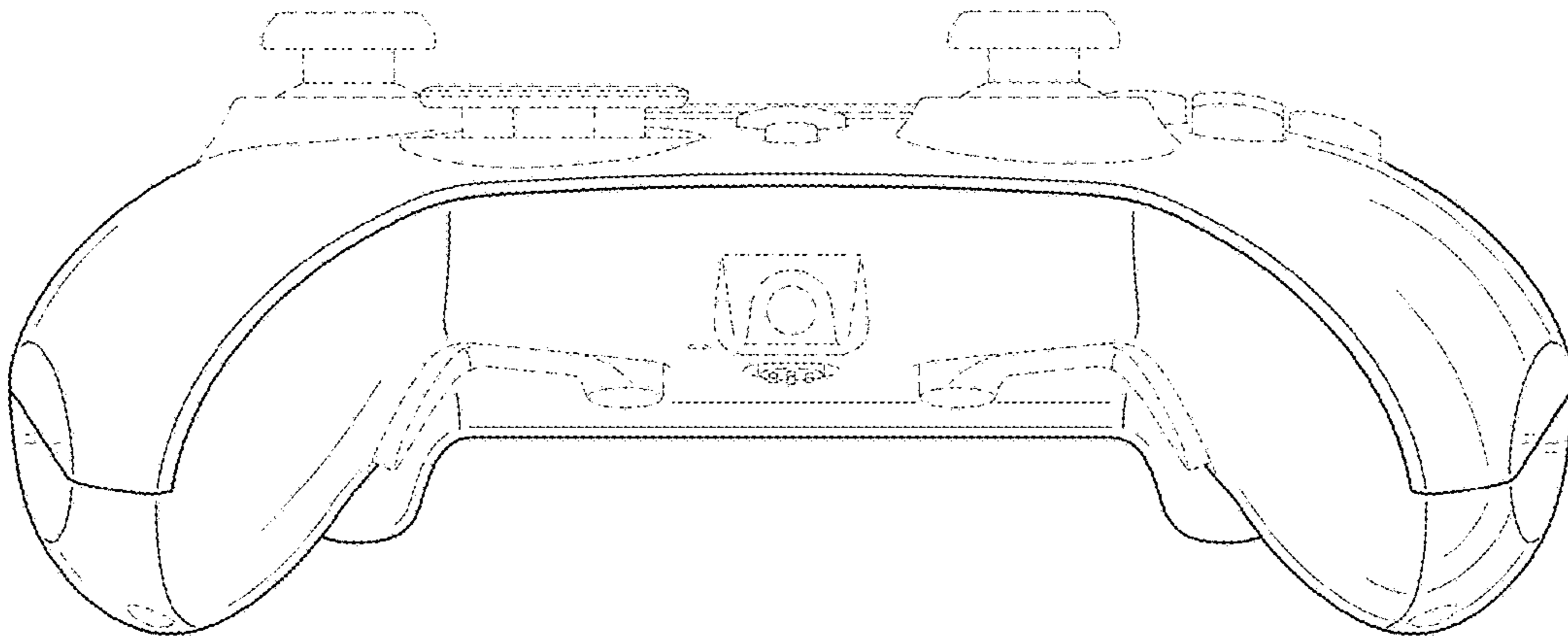


FIG. 7