



US00D865764S

(12) **United States Design Patent** (10) **Patent No.:** **US D865,764 S**  
**Miller et al.** (45) **Date of Patent:** **\*\* Nov. 5, 2019**

(54) **HEAD-MOUNTED DISPLAY**

(56) **References Cited**

(71) Applicant: **Oculus VR, LLC**, Menlo Park, CA (US)

U.S. PATENT DOCUMENTS

(72) Inventors: **Robin Michael Miller**, Redmond, WA (US); **Joseph Patrick Sullivan**, Seattle, WA (US); **Adam Hewko**, Kirkland, WA (US)

D807,354 S *	1/2018	Yee .....	D14/372
D815,092 S *	4/2018	Liao .....	D14/372
D819,635 S *	6/2018	Miller .....	D14/372
D822,659 S *	7/2018	Spio .....	D14/372
D825,560 S *	8/2018	Gribetz .....	D14/372
D827,642 S *	9/2018	Liu .....	D14/372
D829,208 S *	9/2018	Dallmeyer .....	D14/372
D831,028 S *	10/2018	Miller .....	D14/372
D838,719 S *	1/2019	Wei .....	D14/372
D839,269 S *	1/2019	Wang .....	D14/372
D840,399 S *	2/2019	Miller .....	D14/372
D843,373 S *	3/2019	Zhao .....	D14/372
D848,420 S *	5/2019	Boger .....	D14/372

(73) Assignee: **Facebook Technologies, LLC**, Menlo Park, CA (US)

(\*\*) Term: **15 Years**

\* cited by examiner

(21) Appl. No.: **29/675,462**

*Primary Examiner* — Austin Murphy

(22) Filed: **Jan. 2, 2019**

(74) *Attorney, Agent, or Firm* — FisherBroyles, LLP

**Related U.S. Application Data**

(63) Continuation of application No. 29/643,808, filed on Apr. 11, 2018, now Pat. No. Des. 840,399, which is a continuation of application No. 29/612,368, filed on Jul. 31, 2017, now Pat. No. Des. 819,635.

(57) **CLAIM**

The ornamental design for a head-mounted display, as shown and described.

(51) **LOC (12) Cl.** ..... **14-02**

**DESCRIPTION**

(52) **U.S. Cl.**

USPC ..... **D14/372**

(58) **Field of Classification Search**

USPC ..... D14/372, 496, 432, 371, 125, 126, 129, D14/299; D16/300–342; 351/158, 153, 351/144; 345/7–9, 905; 455/344; 348/115, 53, 121, 739

CPC ..... G02B 27/017; G02B 27/0158; G02B 27/0161; G02B 27/0181; G02B 27/0185; G02B 27/0189

FIG. 1 is a top and right perspective view of a head-mounted display.

FIG. 2 is a front view thereof.

FIG. 3 is a rear view thereof.

FIG. 4 is a left view thereof.

FIG. 5 is a right view thereof.

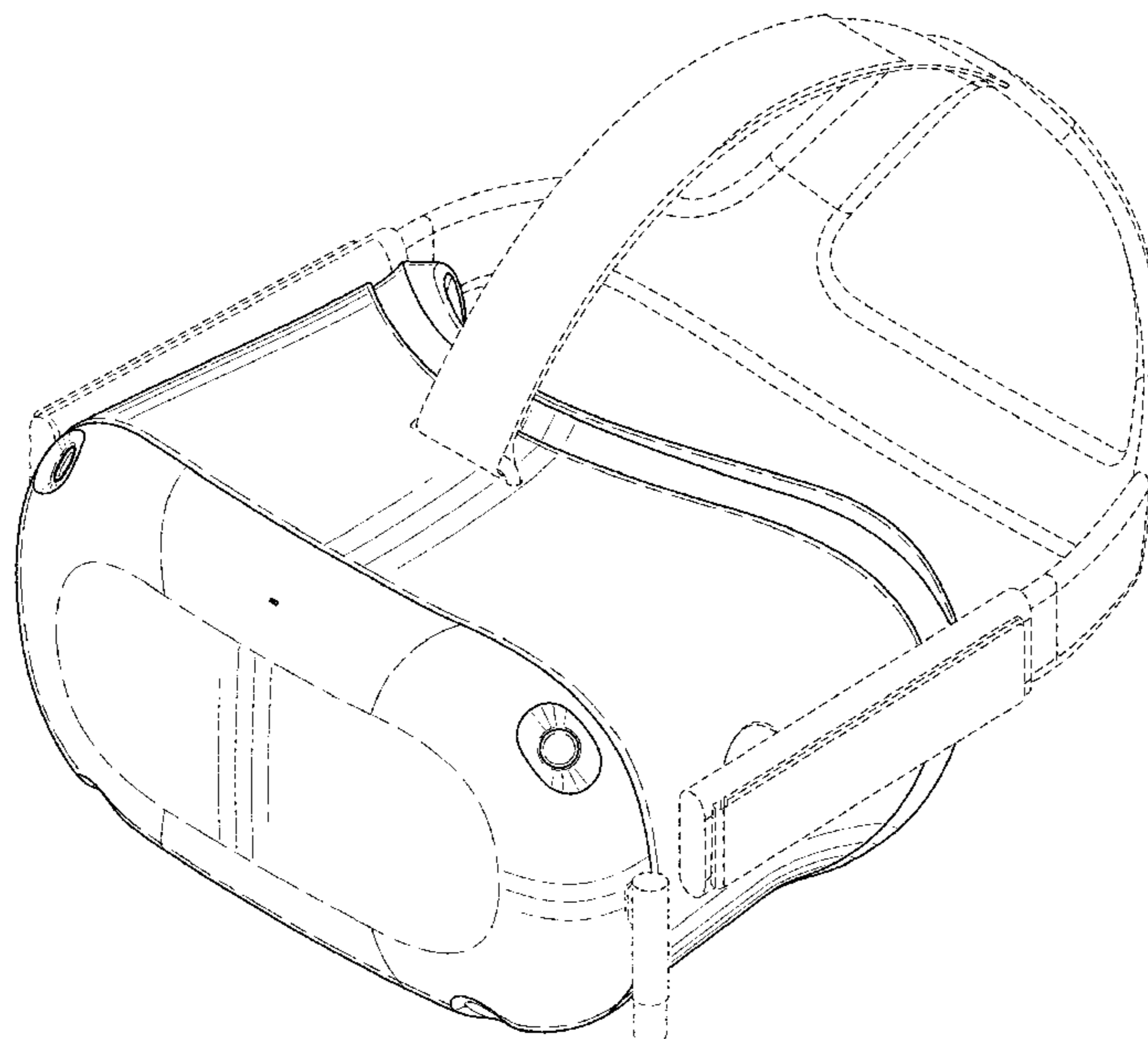
FIG. 6 is a top view thereof; and,

FIG. 7 is a bottom view thereof.

The broken lines shown in these figures are for illustrative purposes only and form no part of the claimed design.

See application file for complete search history.

**1 Claim, 7 Drawing Sheets**



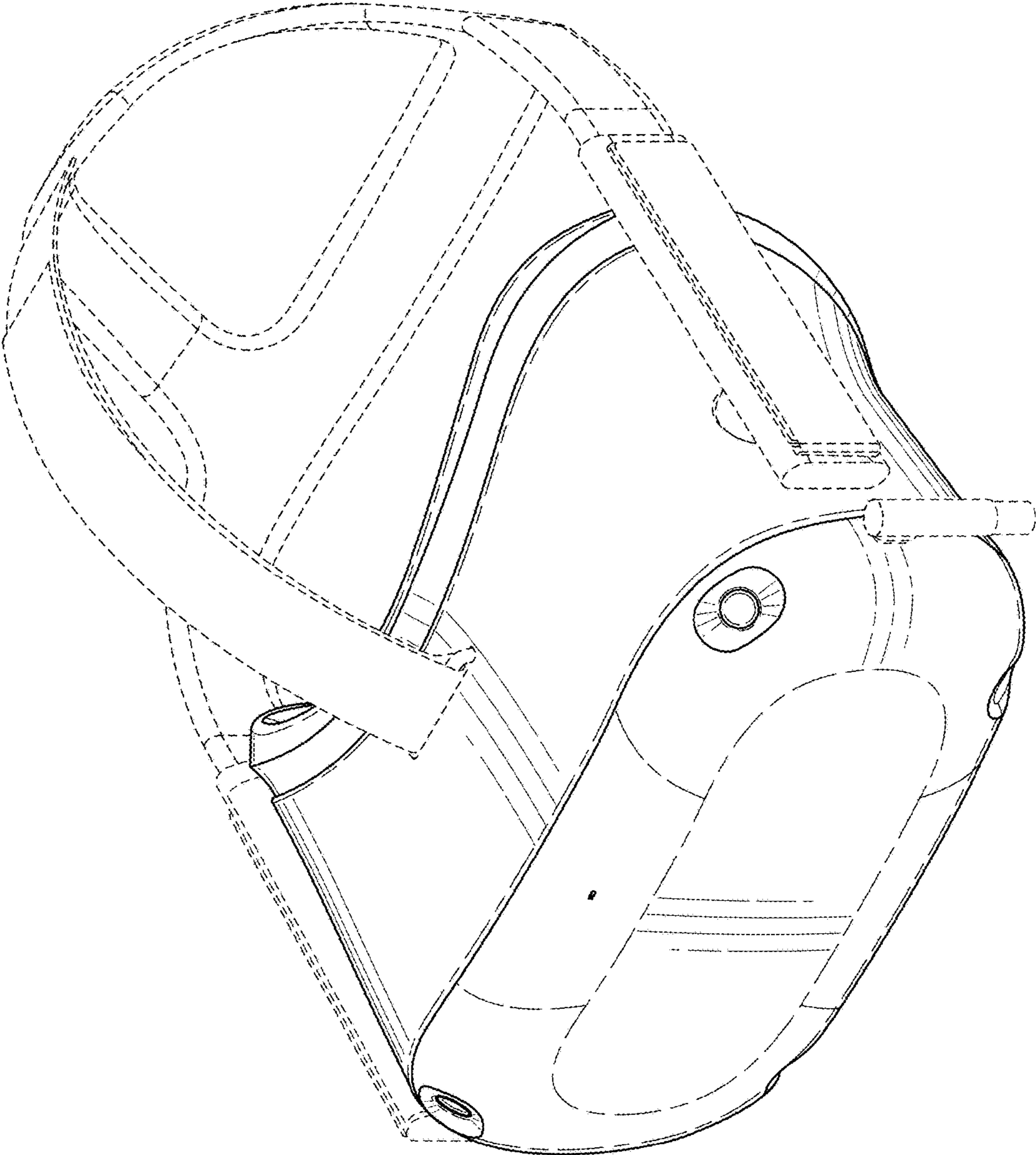
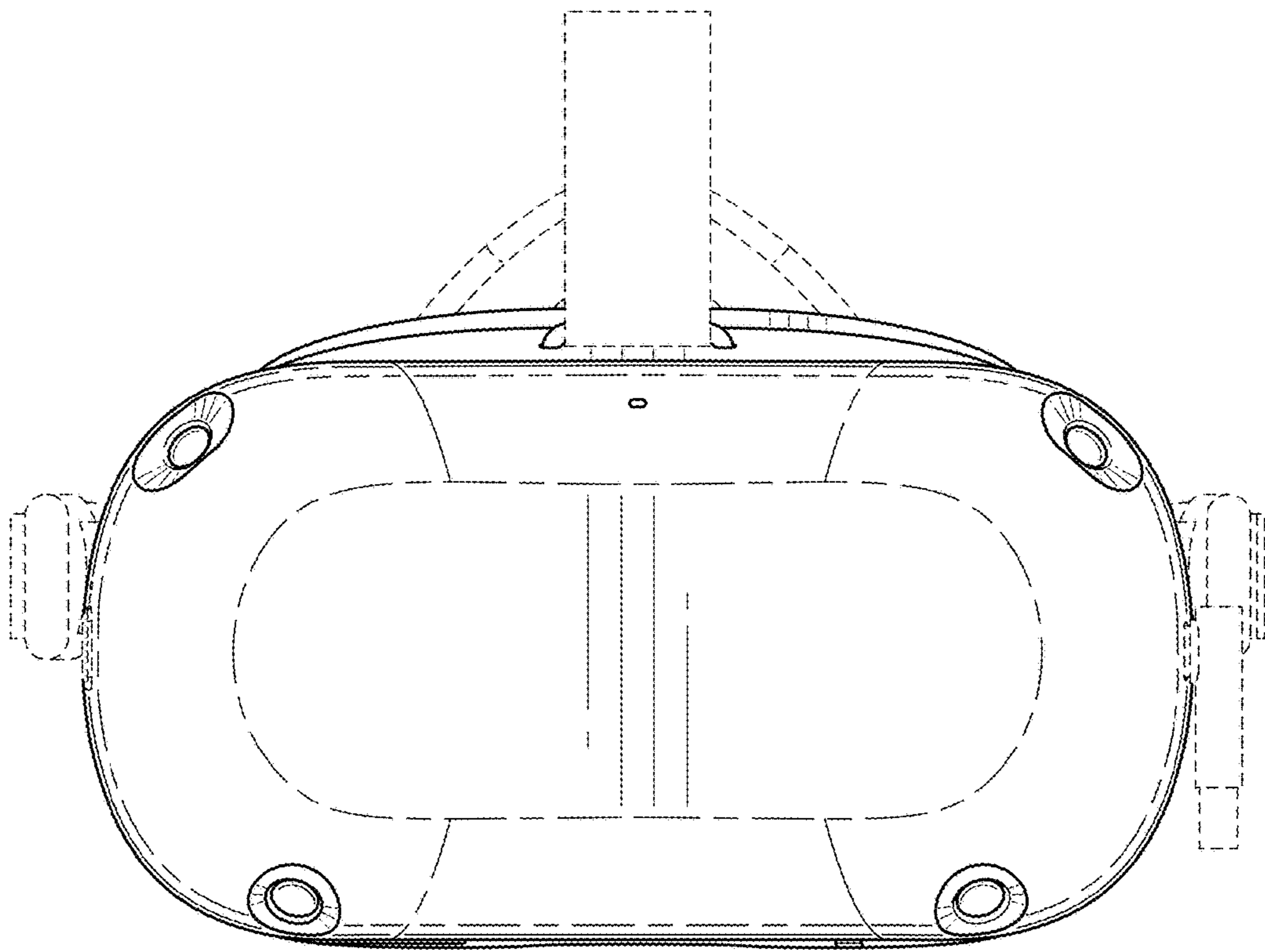
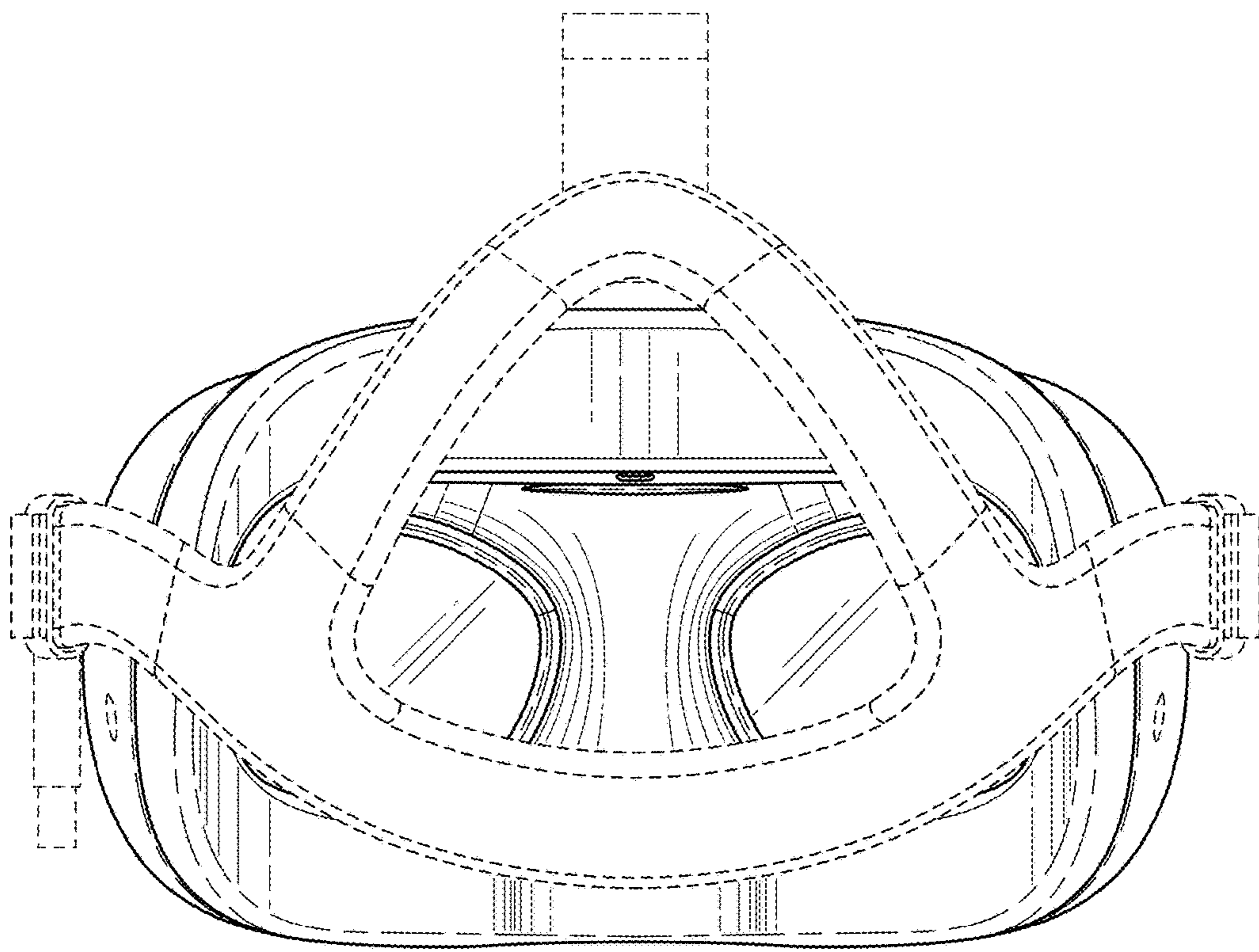


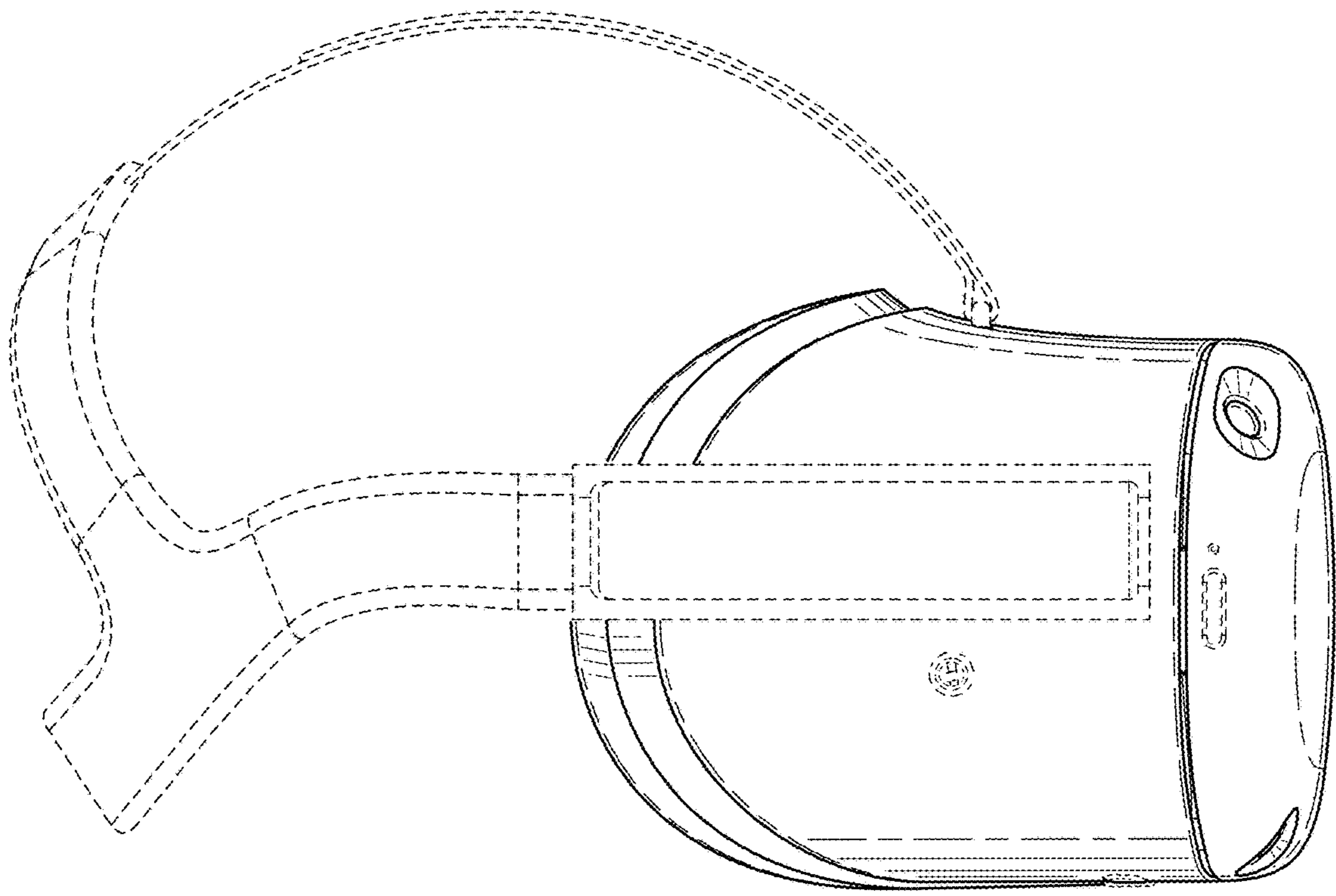
FIG. 1



**FIG. 2**



**FIG. 3**



**FIG. 4**

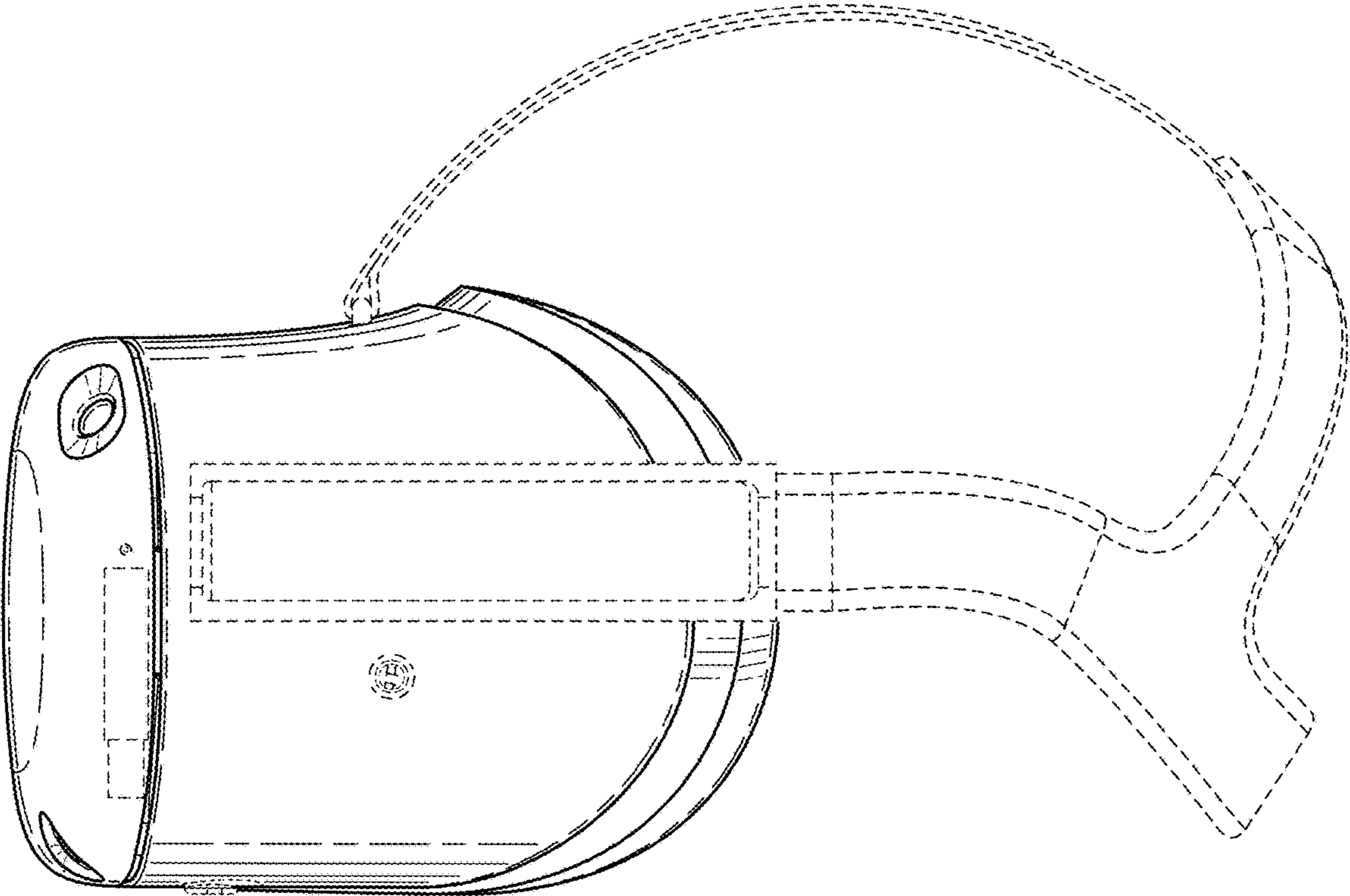


FIG. 5

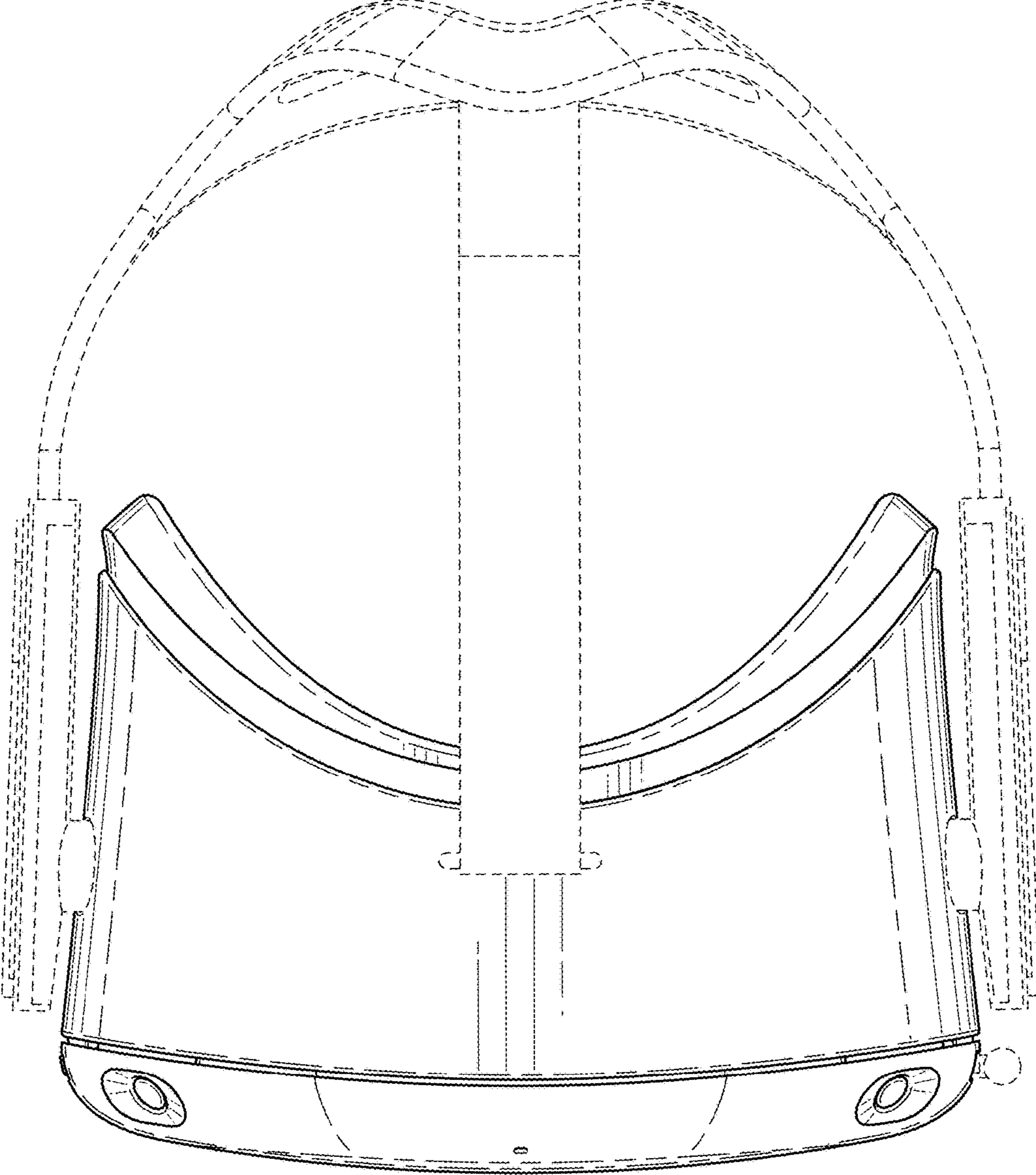
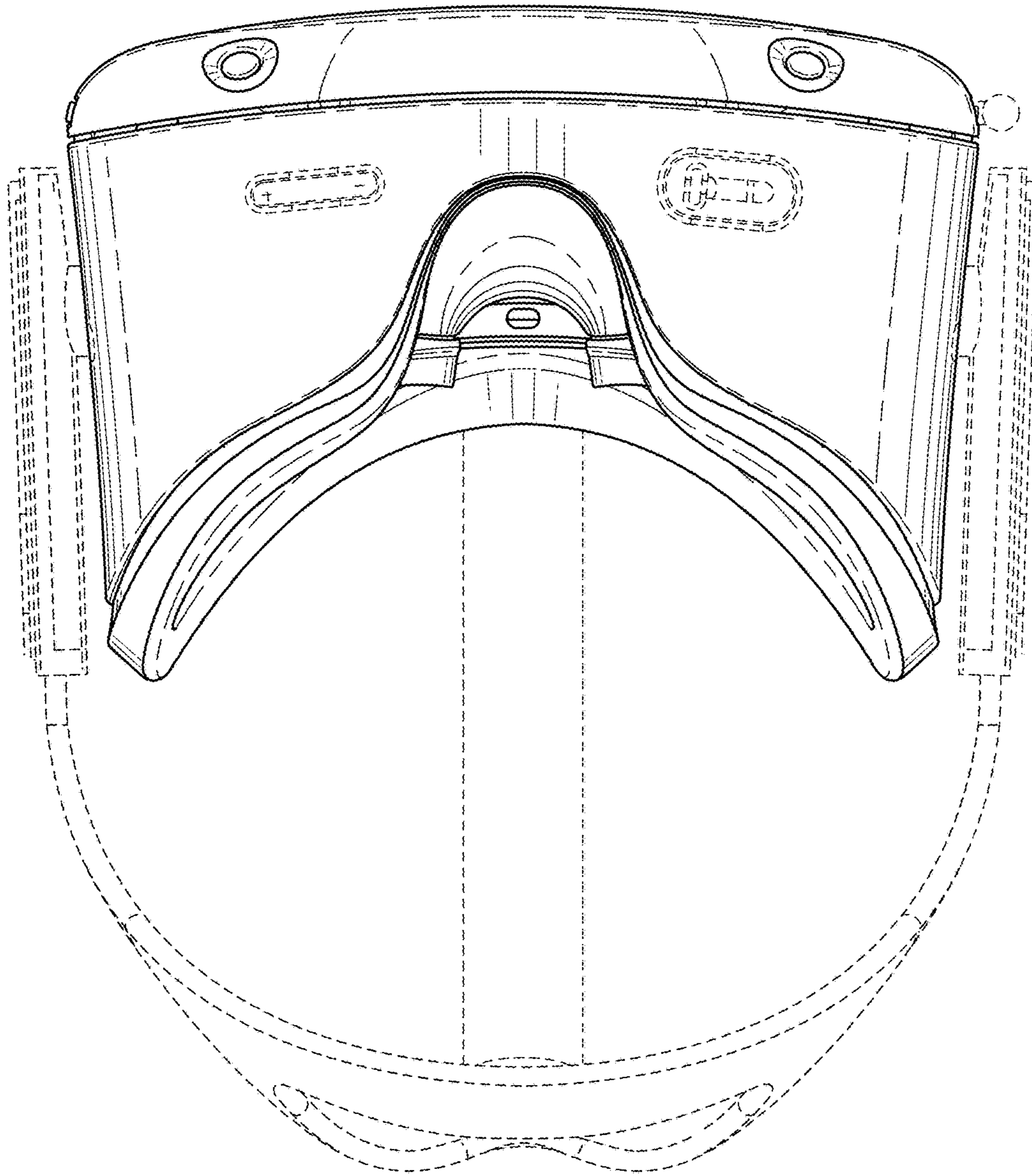


FIG. 6



**FIG. 7**